



**HARD TOP**  
CAM/A AREA MOUNT

DATE: 07/01/98

BY: [Signature]

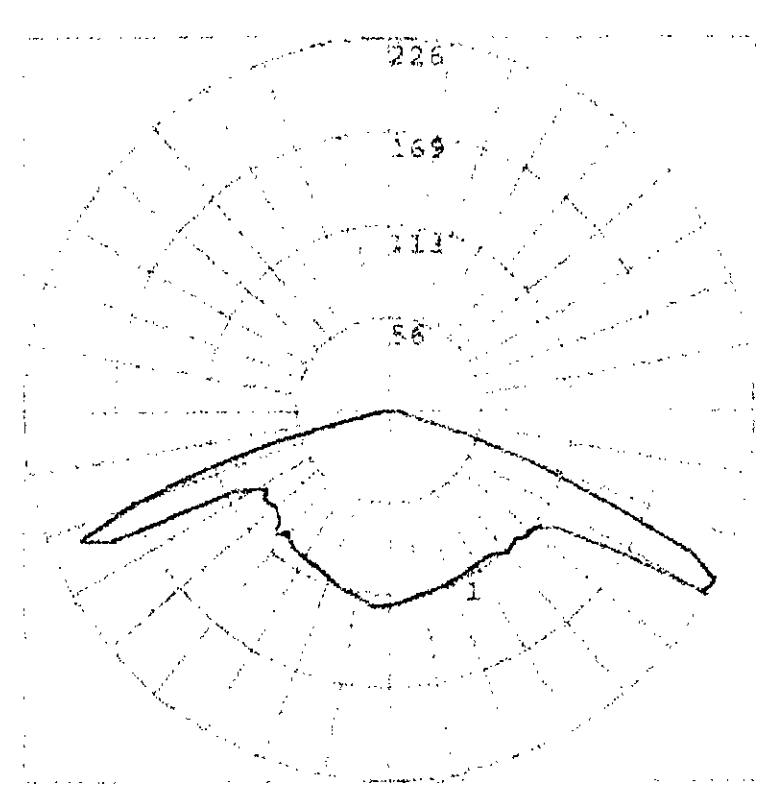
PROJECT: [Project Name]

LOCATION: [Location]

SCALE: [Scale]

REVISIONS:

NO.	DESCRIPTION	DATE
1	ISSUED FOR PERMIT	07/01/98
2	REVISED PER [Authority]	07/01/98
3	REVISED PER [Authority]	07/01/98
4	REVISED PER [Authority]	07/01/98
5	REVISED PER [Authority]	07/01/98
6	REVISED PER [Authority]	07/01/98
7	REVISED PER [Authority]	07/01/98
8	REVISED PER [Authority]	07/01/98
9	REVISED PER [Authority]	07/01/98
10	REVISED PER [Authority]	07/01/98
11	REVISED PER [Authority]	07/01/98
12	REVISED PER [Authority]	07/01/98
13	REVISED PER [Authority]	07/01/98
14	REVISED PER [Authority]	07/01/98
15	REVISED PER [Authority]	07/01/98
16	REVISED PER [Authority]	07/01/98
17	REVISED PER [Authority]	07/01/98
18	REVISED PER [Authority]	07/01/98
19	REVISED PER [Authority]	07/01/98
20	REVISED PER [Authority]	07/01/98
21	REVISED PER [Authority]	07/01/98
22	REVISED PER [Authority]	07/01/98
23	REVISED PER [Authority]	07/01/98
24	REVISED PER [Authority]	07/01/98
25	REVISED PER [Authority]	07/01/98
26	REVISED PER [Authority]	07/01/98
27	REVISED PER [Authority]	07/01/98
28	REVISED PER [Authority]	07/01/98
29	REVISED PER [Authority]	07/01/98
30	REVISED PER [Authority]	07/01/98
31	REVISED PER [Authority]	07/01/98
32	REVISED PER [Authority]	07/01/98
33	REVISED PER [Authority]	07/01/98
34	REVISED PER [Authority]	07/01/98
35	REVISED PER [Authority]	07/01/98
36	REVISED PER [Authority]	07/01/98
37	REVISED PER [Authority]	07/01/98
38	REVISED PER [Authority]	07/01/98
39	REVISED PER [Authority]	07/01/98
40	REVISED PER [Authority]	07/01/98
41	REVISED PER [Authority]	07/01/98
42	REVISED PER [Authority]	07/01/98
43	REVISED PER [Authority]	07/01/98
44	REVISED PER [Authority]	07/01/98
45	REVISED PER [Authority]	07/01/98
46	REVISED PER [Authority]	07/01/98
47	REVISED PER [Authority]	07/01/98
48	REVISED PER [Authority]	07/01/98
49	REVISED PER [Authority]	07/01/98
50	REVISED PER [Authority]	07/01/98
51	REVISED PER [Authority]	07/01/98
52	REVISED PER [Authority]	07/01/98
53	REVISED PER [Authority]	07/01/98
54	REVISED PER [Authority]	07/01/98
55	REVISED PER [Authority]	07/01/98
56	REVISED PER [Authority]	07/01/98
57	REVISED PER [Authority]	07/01/98
58	REVISED PER [Authority]	07/01/98
59	REVISED PER [Authority]	07/01/98
60	REVISED PER [Authority]	07/01/98
61	REVISED PER [Authority]	07/01/98
62	REVISED PER [Authority]	07/01/98
63	REVISED PER [Authority]	07/01/98
64	REVISED PER [Authority]	07/01/98
65	REVISED PER [Authority]	07/01/98
66	REVISED PER [Authority]	07/01/98
67	REVISED PER [Authority]	07/01/98
68	REVISED PER [Authority]	07/01/98
69	REVISED PER [Authority]	07/01/98
70	REVISED PER [Authority]	07/01/98
71	REVISED PER [Authority]	07/01/98
72	REVISED PER [Authority]	07/01/98
73	REVISED PER [Authority]	07/01/98
74	REVISED PER [Authority]	07/01/98
75	REVISED PER [Authority]	07/01/98
76	REVISED PER [Authority]	07/01/98
77	REVISED PER [Authority]	07/01/98
78	REVISED PER [Authority]	07/01/98
79	REVISED PER [Authority]	07/01/98
80	REVISED PER [Authority]	07/01/98
81	REVISED PER [Authority]	07/01/98
82	REVISED PER [Authority]	07/01/98
83	REVISED PER [Authority]	07/01/98
84	REVISED PER [Authority]	07/01/98
85	REVISED PER [Authority]	07/01/98
86	REVISED PER [Authority]	07/01/98
87	REVISED PER [Authority]	07/01/98
88	REVISED PER [Authority]	07/01/98
89	REVISED PER [Authority]	07/01/98
90	REVISED PER [Authority]	07/01/98
91	REVISED PER [Authority]	07/01/98
92	REVISED PER [Authority]	07/01/98
93	REVISED PER [Authority]	07/01/98
94	REVISED PER [Authority]	07/01/98
95	REVISED PER [Authority]	07/01/98
96	REVISED PER [Authority]	07/01/98
97	REVISED PER [Authority]	07/01/98
98	REVISED PER [Authority]	07/01/98
99	REVISED PER [Authority]	07/01/98
100	REVISED PER [Authority]	07/01/98



Fixture Type SA, SA-1

**HARD TOP**  
CAM/A AREA MOUNT

DATE: 07/01/98

BY: [Signature]

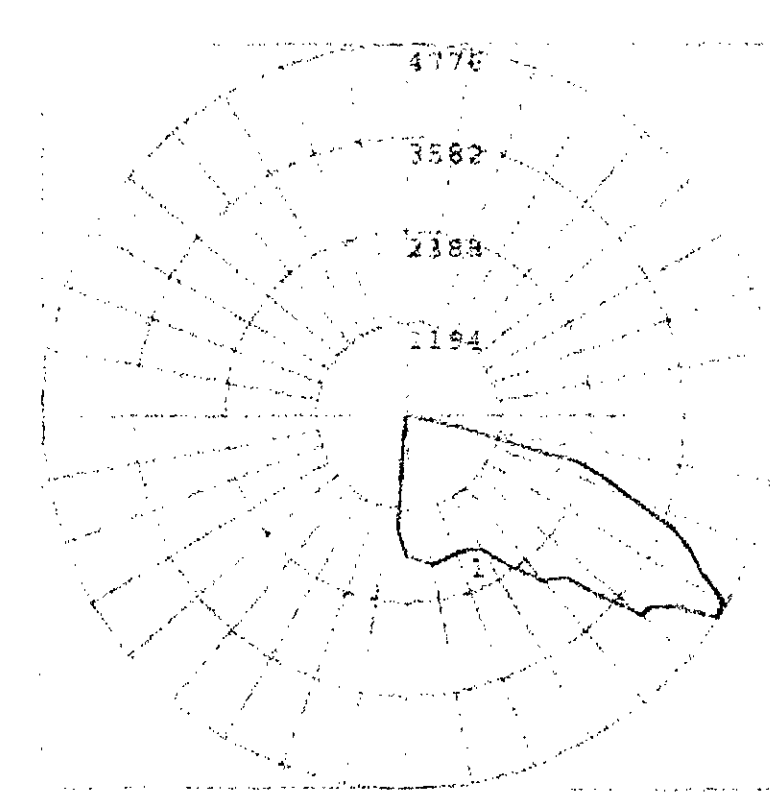
PROJECT: [Project Name]

LOCATION: [Location]

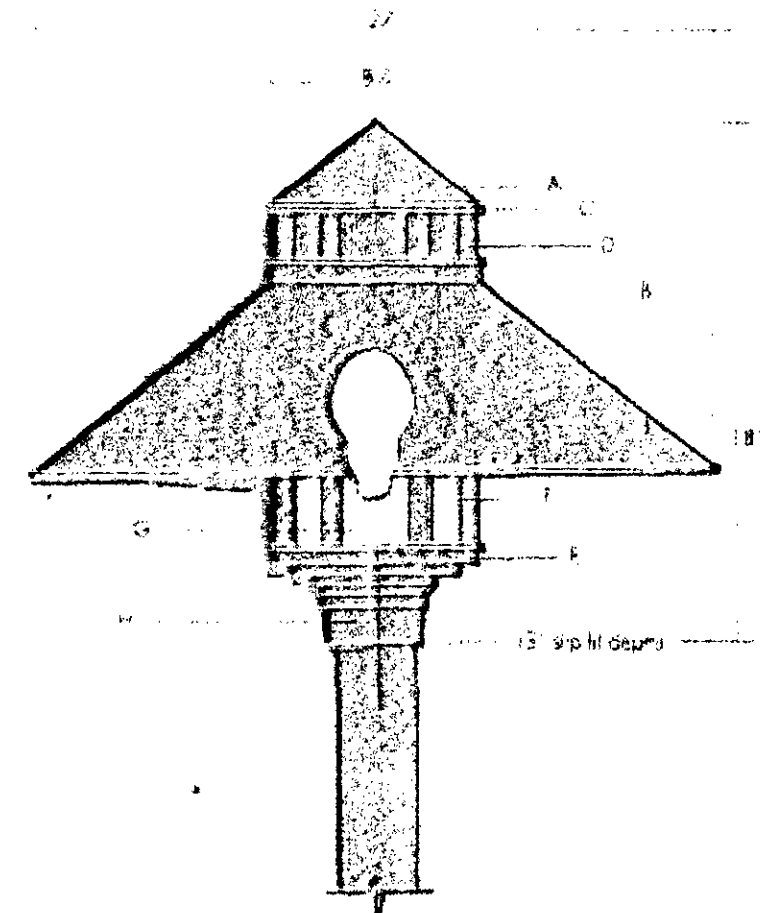
SCALE: [Scale]

REVISIONS:

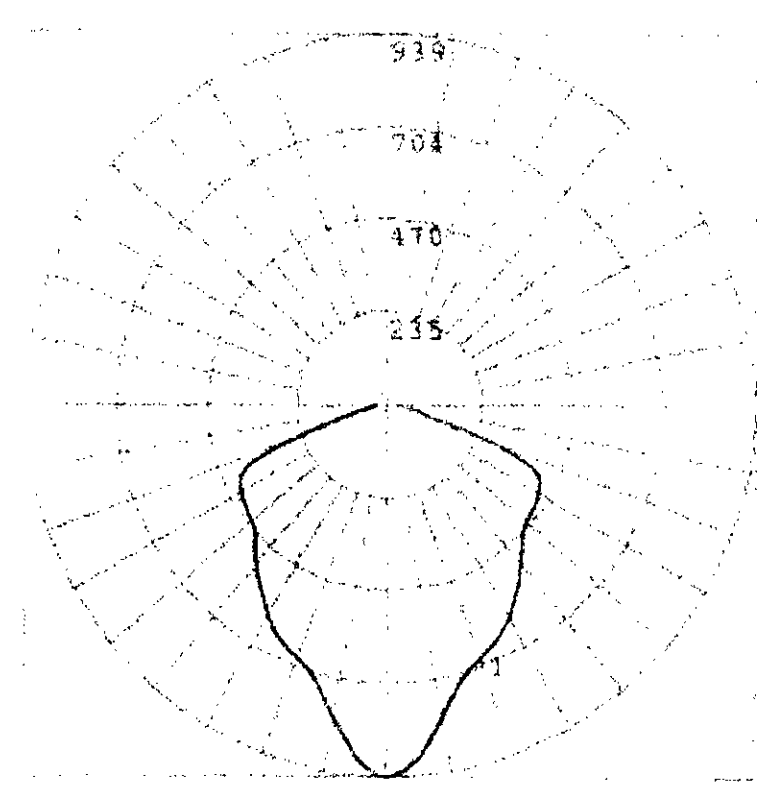
NO.	DESCRIPTION	DATE
1	ISSUED FOR PERMIT	07/01/98
2	REVISED PER [Authority]	07/01/98
3	REVISED PER [Authority]	07/01/98
4	REVISED PER [Authority]	07/01/98
5	REVISED PER [Authority]	07/01/98
6	REVISED PER [Authority]	07/01/98
7	REVISED PER [Authority]	07/01/98
8	REVISED PER [Authority]	07/01/98
9	REVISED PER [Authority]	07/01/98
10	REVISED PER [Authority]	07/01/98
11	REVISED PER [Authority]	07/01/98
12	REVISED PER [Authority]	07/01/98
13	REVISED PER [Authority]	07/01/98
14	REVISED PER [Authority]	07/01/98
15	REVISED PER [Authority]	07/01/98
16	REVISED PER [Authority]	07/01/98
17	REVISED PER [Authority]	07/01/98
18	REVISED PER [Authority]	07/01/98
19	REVISED PER [Authority]	07/01/98
20	REVISED PER [Authority]	07/01/98
21	REVISED PER [Authority]	07/01/98
22	REVISED PER [Authority]	07/01/98
23	REVISED PER [Authority]	07/01/98
24	REVISED PER [Authority]	07/01/98
25	REVISED PER [Authority]	07/01/98
26	REVISED PER [Authority]	07/01/98
27	REVISED PER [Authority]	07/01/98
28	REVISED PER [Authority]	07/01/98
29	REVISED PER [Authority]	07/01/98
30	REVISED PER [Authority]	07/01/98
31	REVISED PER [Authority]	07/01/98
32	REVISED PER [Authority]	07/01/98
33	REVISED PER [Authority]	07/01/98
34	REVISED PER [Authority]	07/01/98
35	REVISED PER [Authority]	07/01/98
36	REVISED PER [Authority]	07/01/98
37	REVISED PER [Authority]	07/01/98
38	REVISED PER [Authority]	07/01/98
39	REVISED PER [Authority]	07/01/98
40	REVISED PER [Authority]	07/01/98
41	REVISED PER [Authority]	07/01/98
42	REVISED PER [Authority]	07/01/98
43	REVISED PER [Authority]	07/01/98
44	REVISED PER [Authority]	07/01/98
45	REVISED PER [Authority]	07/01/98
46	REVISED PER [Authority]	07/01/98
47	REVISED PER [Authority]	07/01/98
48	REVISED PER [Authority]	07/01/98
49	REVISED PER [Authority]	07/01/98
50	REVISED PER [Authority]	07/01/98
51	REVISED PER [Authority]	07/01/98
52	REVISED PER [Authority]	07/01/98
53	REVISED PER [Authority]	07/01/98
54	REVISED PER [Authority]	07/01/98
55	REVISED PER [Authority]	07/01/98
56	REVISED PER [Authority]	07/01/98
57	REVISED PER [Authority]	07/01/98
58	REVISED PER [Authority]	07/01/98
59	REVISED PER [Authority]	07/01/98
60	REVISED PER [Authority]	07/01/98
61	REVISED PER [Authority]	07/01/98
62	REVISED PER [Authority]	07/01/98
63	REVISED PER [Authority]	07/01/98
64	REVISED PER [Authority]	07/01/98
65	REVISED PER [Authority]	07/01/98
66	REVISED PER [Authority]	07/01/98
67	REVISED PER [Authority]	07/01/98
68	REVISED PER [Authority]	07/01/98
69	REVISED PER [Authority]	07/01/98
70	REVISED PER [Authority]	07/01/98
71	REVISED PER [Authority]	07/01/98
72	REVISED PER [Authority]	07/01/98
73	REVISED PER [Authority]	07/01/98
74	REVISED PER [Authority]	07/01/98
75	REVISED PER [Authority]	07/01/98
76	REVISED PER [Authority]	07/01/98
77	REVISED PER [Authority]	07/01/98
78	REVISED PER [Authority]	07/01/98
79	REVISED PER [Authority]	07/01/98
80	REVISED PER [Authority]	07/01/98
81	REVISED PER [Authority]	07/01/98
82	REVISED PER [Authority]	07/01/98
83	REVISED PER [Authority]	07/01/98
84	REVISED PER [Authority]	07/01/98
85	REVISED PER [Authority]	07/01/98
86	REVISED PER [Authority]	07/01/98
87	REVISED PER [Authority]	07/01/98
88	REVISED PER [Authority]	07/01/98
89	REVISED PER [Authority]	07/01/98
90	REVISED PER [Authority]	07/01/98
91	REVISED PER [Authority]	07/01/98
92	REVISED PER [Authority]	07/01/98
93	REVISED PER [Authority]	07/01/98
94	REVISED PER [Authority]	07/01/98
95	REVISED PER [Authority]	07/01/98
96	REVISED PER [Authority]	07/01/98
97	REVISED PER [Authority]	07/01/98
98	REVISED PER [Authority]	07/01/98
99	REVISED PER [Authority]	07/01/98
100	REVISED PER [Authority]	07/01/98



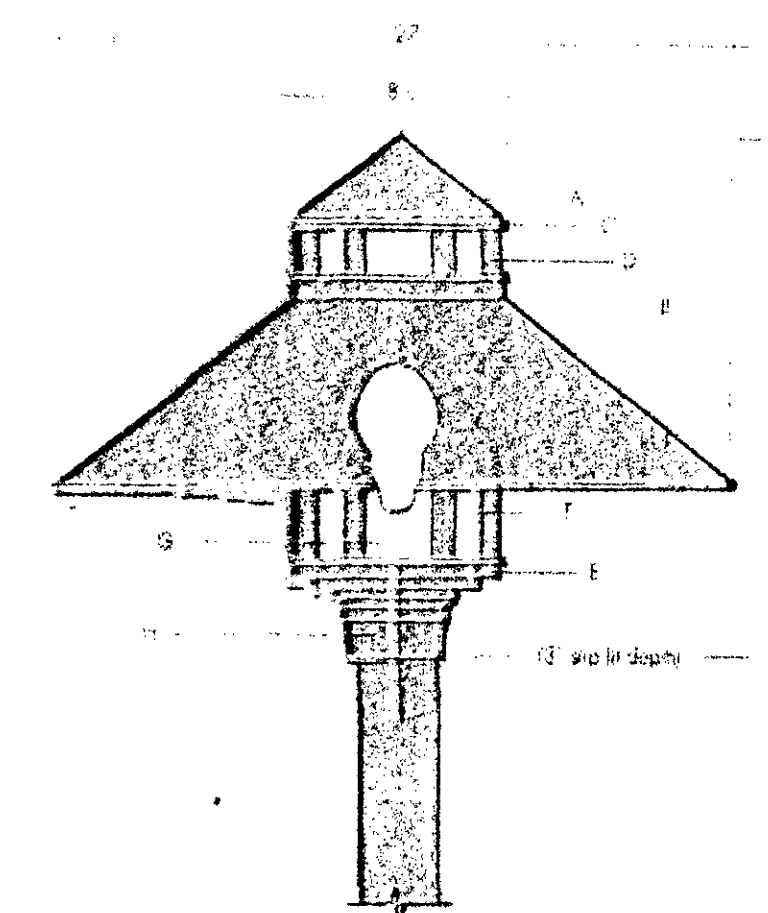
Fixture Type SA-2 (with Custom House-Side Shield)



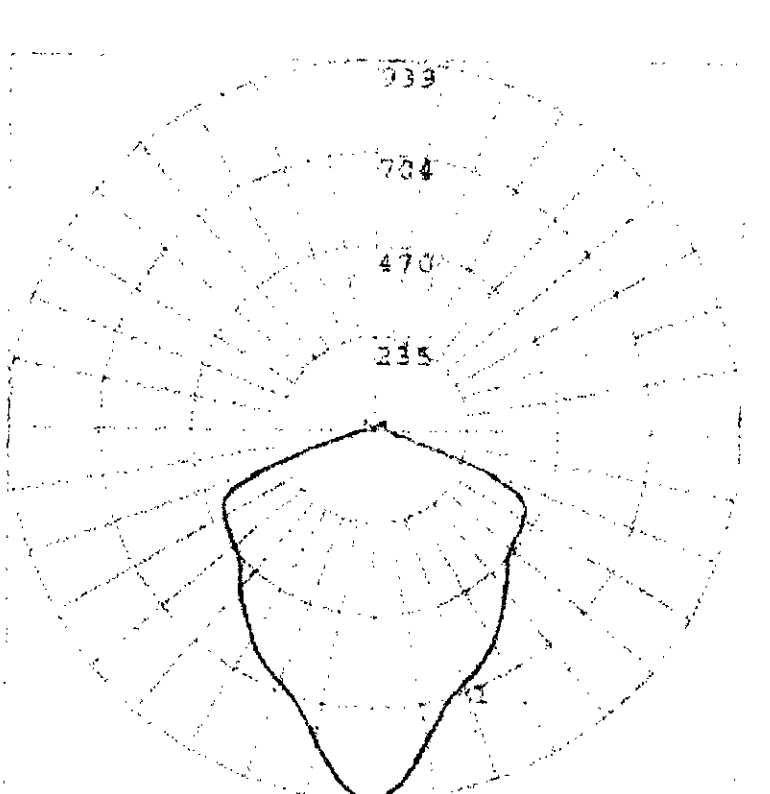
ED-17 Metal Halide Lamp



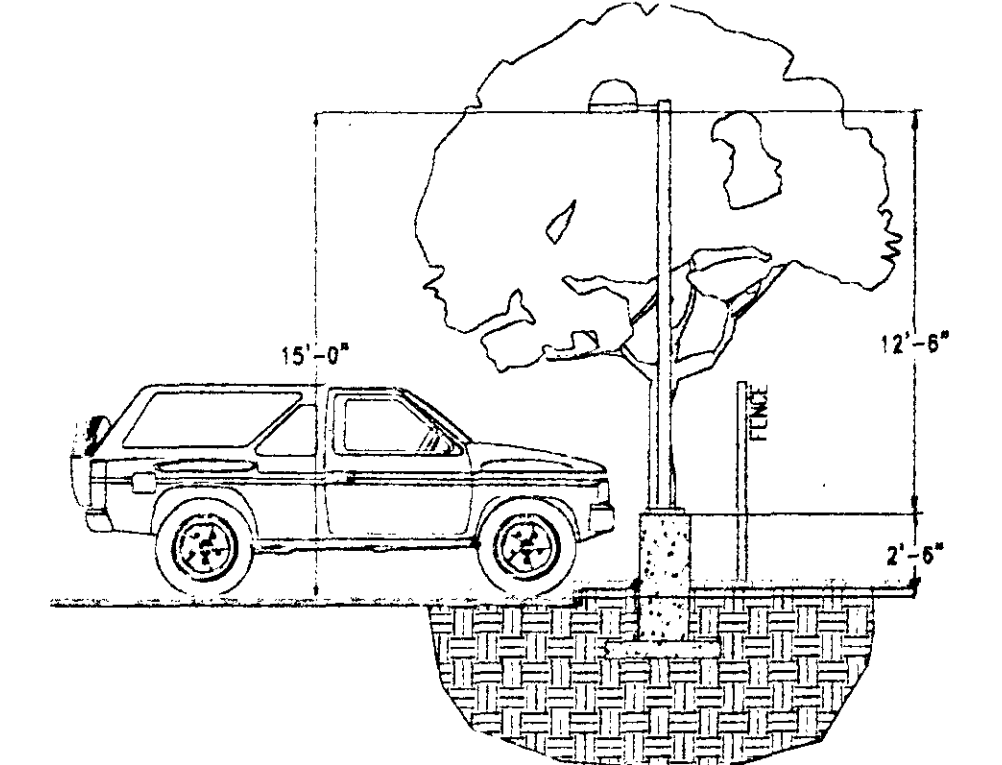
Fixture Type SB-1



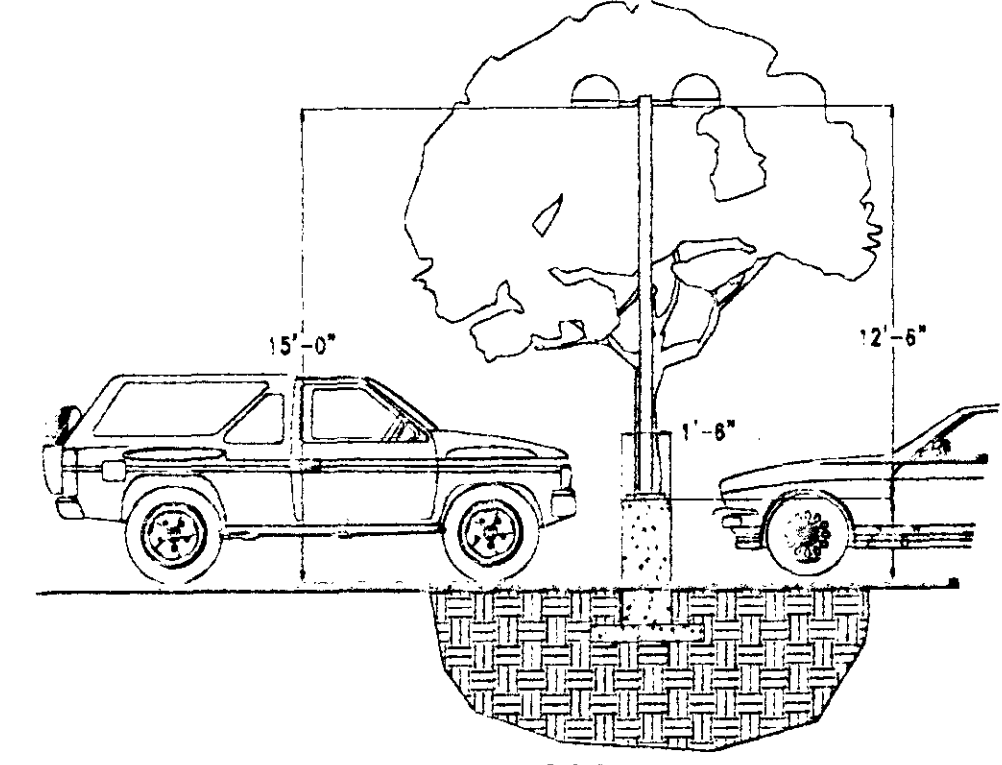
ED-17 Metal Halide Lamp



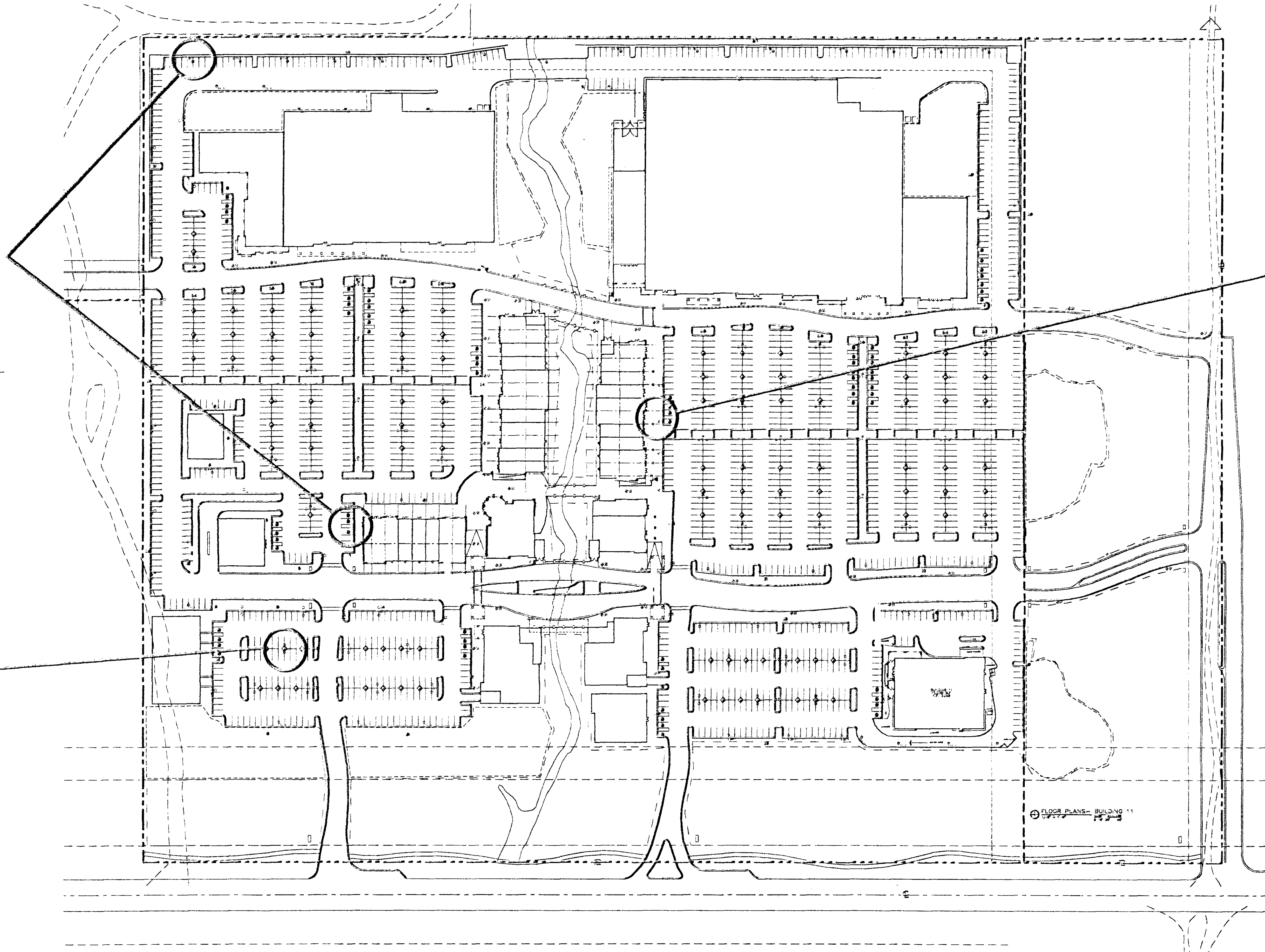
Fixture Type SB



Side Pole Elevation - Type "SA-1" / "SA-2"  
POLE LIGHT @ SUMMIT AT SCOTTSDALE PARKING LOT  
SCALE: No Scale



Side Pole Elevation - Type "SA"  
POLE LIGHT @ SUMMIT AT SCOTTSDALE PARKING LOTS  
SCALE: No Scale



The side elevation on the figure of our TEKA LP 2342/1 fixture shown mounted to an 8" tapered aluminum pole finished with a custom bronze powder coat paint. TEKA offers a variety of heights and support poles in copper, stainless steel and galvanized steel as well. Contact your TEKA Representative for more details.

The task of developing an outdoor lighting scheme does not end with determining fixture spacing and height. The shade geometry and extent of use of the TEKA LP series luminaires will be critical and depend on the type of luminaire used in the particular case of the shade and fixture.

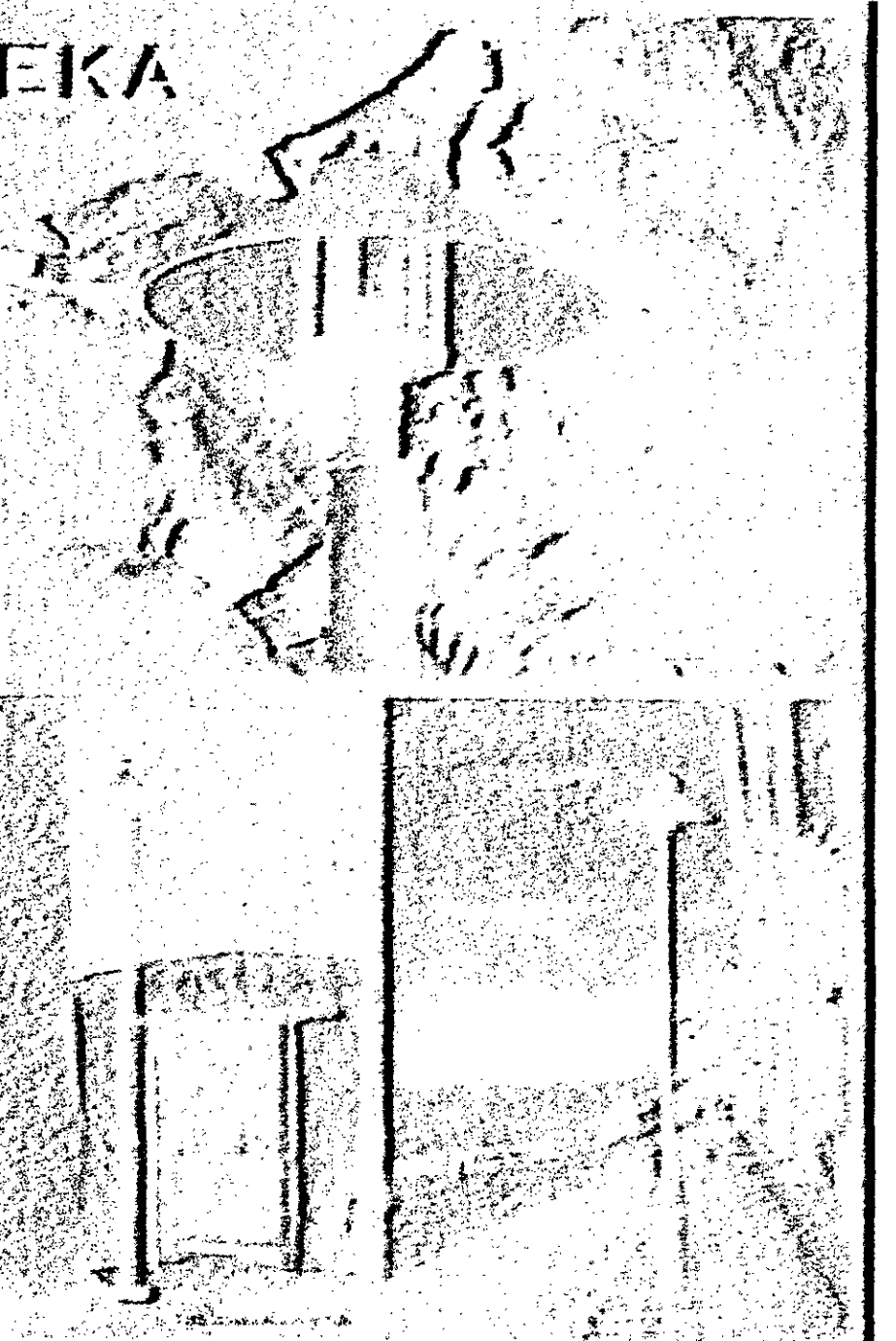
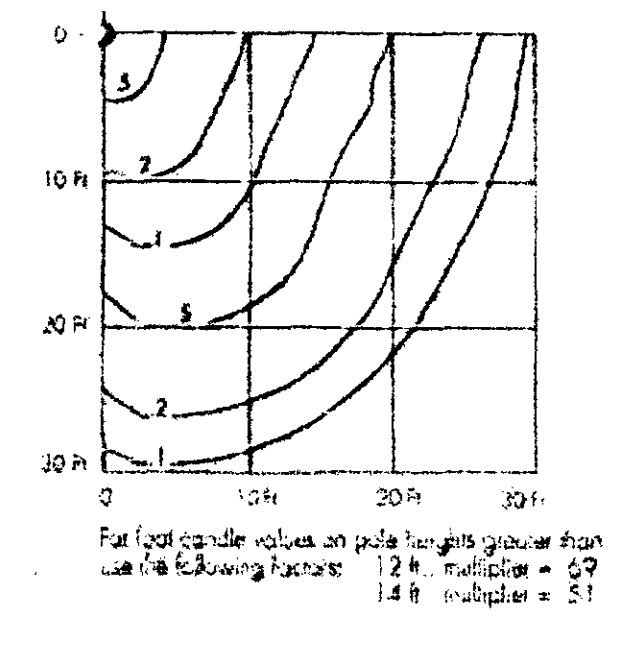
The result is a pleasing light and shadow in Brightness More than spacing, brightness determines whether a luminaire is suitable for walkways and staircases for example. Handily lighting the friendly glow over the low brightness connected luminaires.

Brightness or average luminance is defined as light intensity, expressed as an area of square meters, for a point of reference. The brightness of a candle is 10,000 cd/m<sup>2</sup>. The brightness of a bare 100W Metal Halide lamp arc tube is 2,000,000 cd/m<sup>2</sup>.

Brightness values for the 100W Metal Halide TEKA LP are given below:

Angle in Degree	Candle per sq. meter
35°	2272
45°	2350
55°	2475
65°	2719
75°	2818
80°	311

Report Number: R24043 Date: 07/01/98  
Prepared For: TEKA ARCHITECTURE INC.  
Consulting: LP 2342/100W and LP 2317/100W  
Luminaires: Spin copper reflective luminaire with top flare supported from a pole. Custom top shade 1.037' above top of luminaire. Fixed to central shade offset. Shade: One 100W Metal Halide lamp. Shade: vertical down position. Mounting Height: 10 ft.



PRELIMINARY  
NOT FOR  
CONSTRUCTION  
OR  
RECORDING

Revisions

Date: 11-1-98  
© 1999 copyright  
2-3-00

NELSFN  
ARCHITECTS, INC.  
SCOTTSDALE, AZ 85251  
7031 E. CAMEBACK ROAD, SUITE 100, SCOTTSDALE, AZ 85251  
PHONE (480) 949-6800 FAX (480) 949-6801

Sheet  
AL-1  
Project No:  
99029