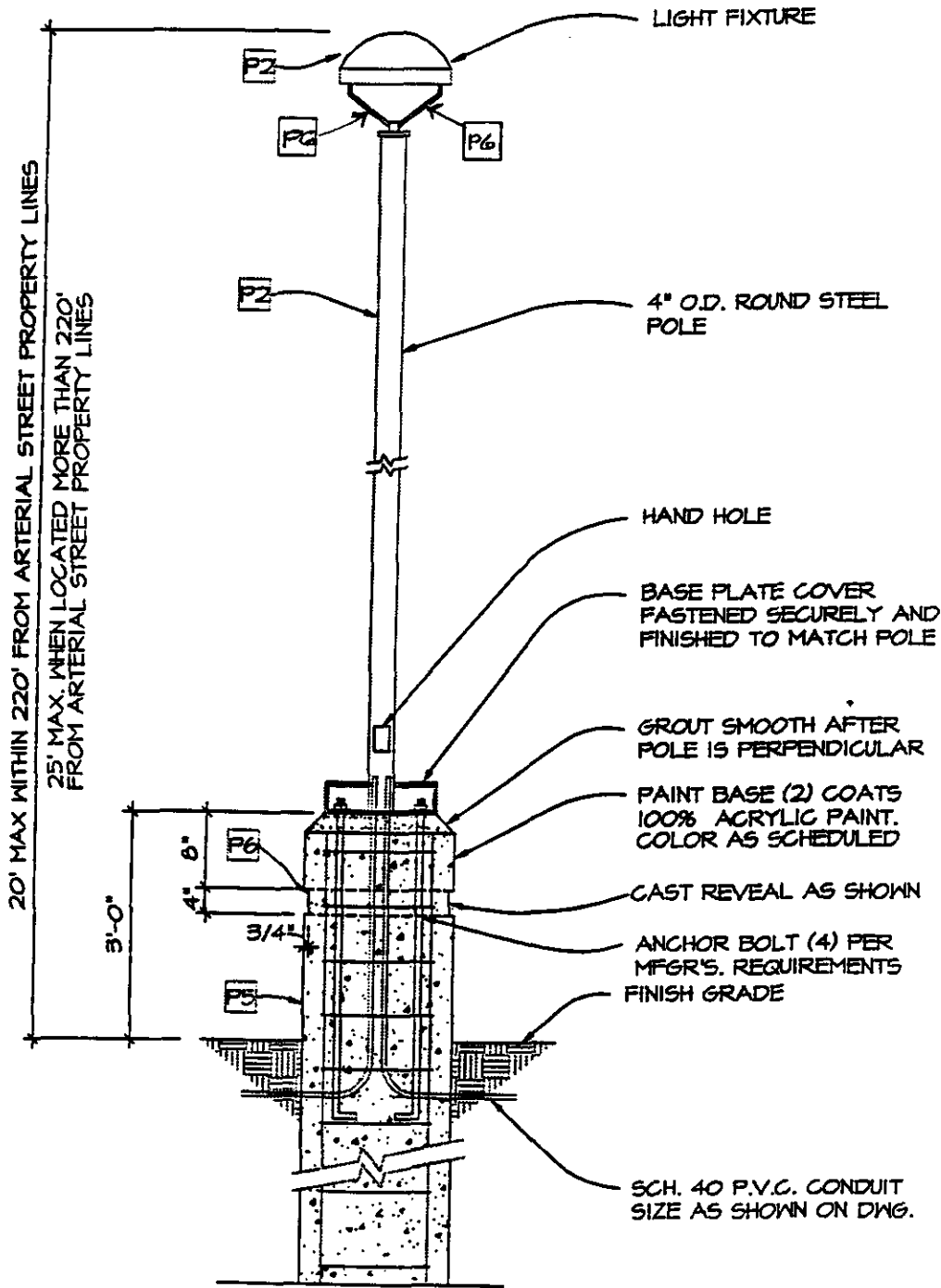


ON SITE LIGHT DETAIL



NOTE: CONCRETE BASE TO BE 24"φ WITH SMOOTH FINISH SUITABLE FOR PAINTING. REMOVE FORM LINES AND FILL ALL HOLES. SITE LIGHT SHALL COMPLY W DARK SKY ORDINANCE 23-100.

SITE POLE AND BASE

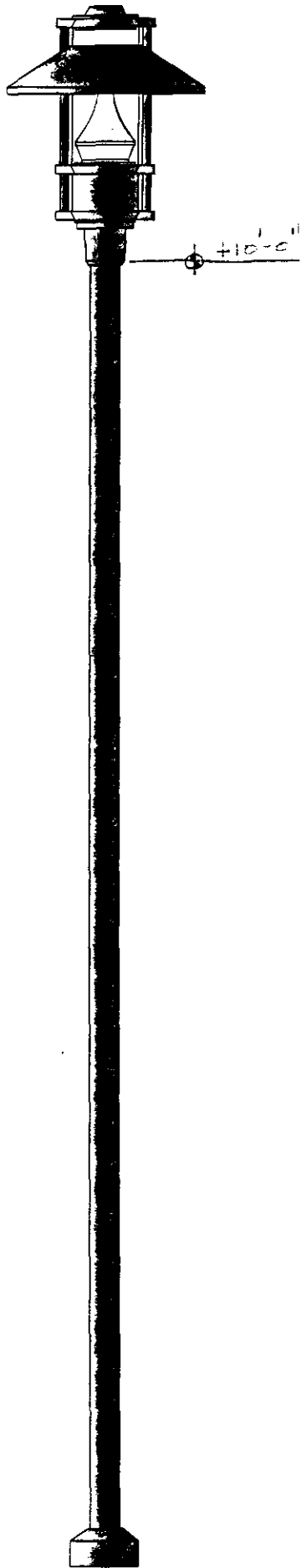
SCALE: N.T.S.

REVISED 7-2

FIXTURE A, AA, BB, C, CC, D, NA, NC.

82-DR-1998#2A

THE PROMENADE



FIXTURE EE

82-DR-1998#2A

THE PROMENADE 

PR4 4" Round

BASE	POLE-WALL	OAH	SHAFT	MAXIMUM ALLOWABLE EPA				WT
				STEADY WIND		GUST FACTOR (1.3)		
				70/91	80/104	90/117	100/130	
PR4	4R8-125	8'/2.4M	4" ROUND X .125"	14.3	12.0	9.6	7.4	19
PR4	4R10-125	10'/3.1M	4" ROUND X .125"	11.8	8.6	6.6	5.2	22
PR4	4R12-125	12'/3.7M	4" ROUND X .125"	9.8	8.2	6.5	5.0	26
PR4	4R14-125	14'/4.3M	4" ROUND X .125"	7.9	6.6	5.2	3.9	30
PR4	4R16-125	16'/4.9M	4" ROUND X .125"	6.4	5.3	4.1	3.0	33
PR4	4R10-226	10'/3.1M	4" ROUND X .226"	22.2	18.5	15.0	12.0	36
PR4	4R12-226	12'/3.7M	4" ROUND X .226"	18.2	15.4	12.7	9.9	42
PR4	4R14-226	14'/4.3M	4" ROUND X .226"	14.7	12.4	10.2	8.0	49
PR4	4R16-226	16'/4.9M	4" ROUND X .226"	12.5	10.4	8.3	6.3	55

OPTIONS

GFI Ground fault duplex receptacle with a self closing cover painted matte aluminum. Cast aluminum receptacle saddle is welded to the pole. Requires field installation of receptacle and wiring.

DRB Duplex receptacle with cast base welded to pole and gasketed cover.

SPECIFICATIONS

Pole base shall be cast A356 alloy aluminum free of any porosity, foreign materials, or cosmetic fillers. Pole shaft shall be seamless extruded, .125"(3mm) or .226"(6mm) 6061 T-6 aluminum. A reinforced hand hole measuring 2" x 4" (50mm x 100mm) shall be provided with an aluminum hand hole cover, gasketed and secured with two tamper proof, stainless steel screws. Ground lug is located on the same side as the cover. The base cover shall be one piece heavy spun aluminum.

FINISH

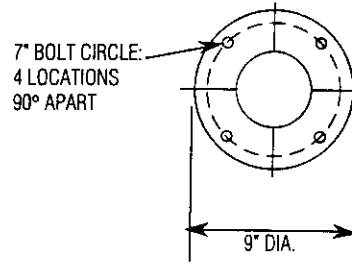
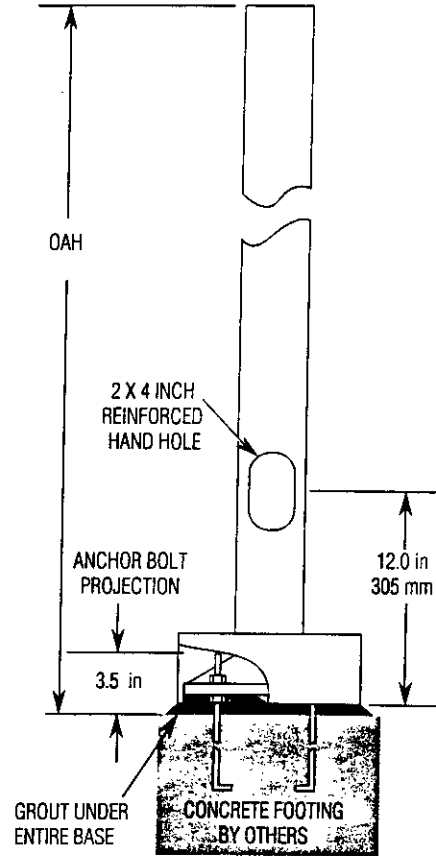
Pole finish shall consist of cleaning, etching, and rinsing followed by a protective chromate primer, deionized water rinse, oven dry off and top coated with a thermoset TGIC super polyester powder coat finish. The finish shall meet the AAMA 605.2 performance specification which includes passing a 3000 hour salt spray test for corrosion resistance.

ANCHOR BOLTS

Anchor bolts shall be hot dip galvanized steel. Eight galvanized hex nuts and flat washers, and a bolt circle template shall be provided. Anchor bolts for poles 14 feet or less are 5/8" x 21" x 3". Anchor bolts for poles more than 14 feet high are 3/4" x 24" x 3".

WARNING: Fixture must be grounded in accordance with local codes or the National Electric Code. Failure to do so may result in serious personal injury.

CAUTION: Poles should never be erected without the luminaire installed. Warranty is voided if the pole is erected without the luminaire. The warranty is voided if the pole is not grouted under the entire base after installation.



PR4 4" Round Poles and Arms

82-DR-1998#2A

FIXTURE EE

THE PROMENADE

SPECTRA™



SP10 PR6 1R10



SP10 PR6 1R10



SP10 PR6 1R10

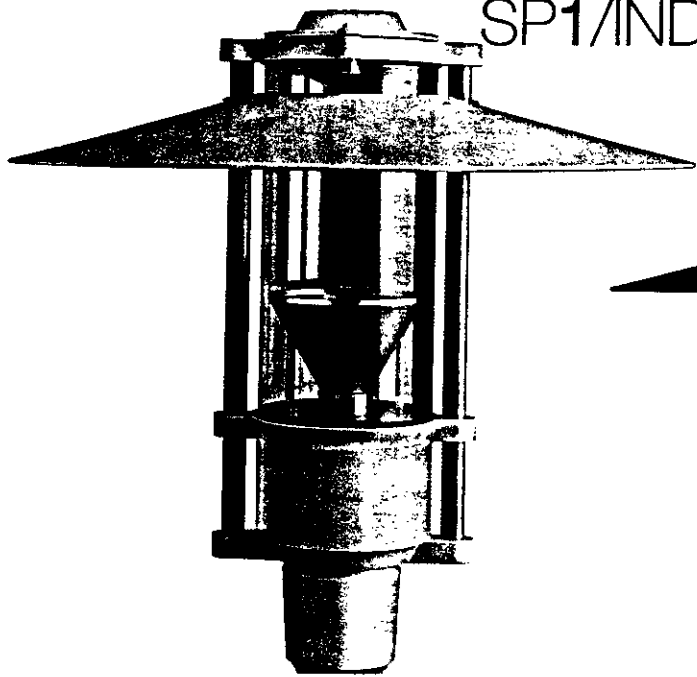
FIXTURE EE

82-DR-1998#2A

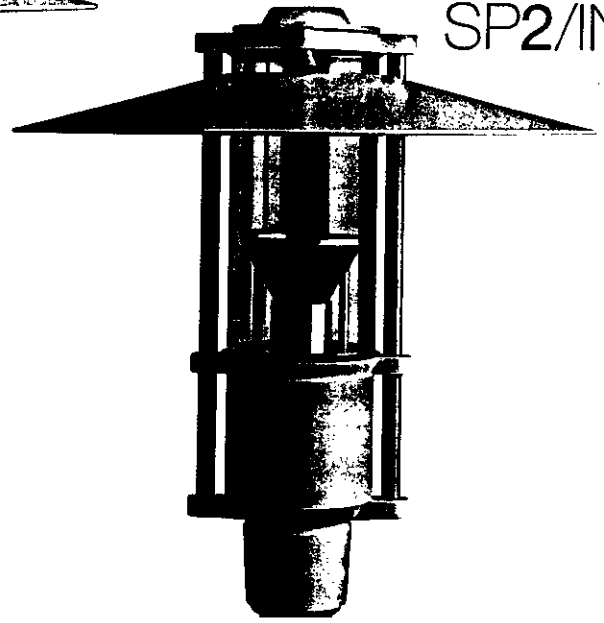
THE PROMENADE

Indirect

The Spectra Indirect has a concealed light source for smooth, glare free illumination. A perfect solution for pathways, gardens and interior applications. The enclosed optical module eliminates the problem of light deterioration common on open lens indirect fixtures. A small amount of spill light softly illuminates the top of the shade.

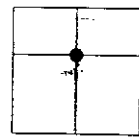


SP1/IND

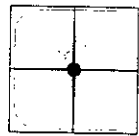


SP2/IND

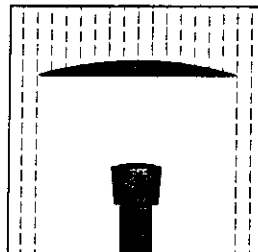
■ Available in a symmetric or asymmetric distribution



TYPE 3



TYPE 5



The Spectra has an enclosed optical module eliminating the problem of light deterioration. Open lens indirect fixtures accumulate dust and insects which are not easily removed by rain because of the upper reflector hood.

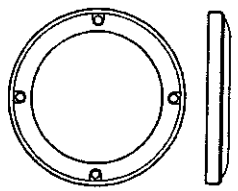
82-DR-1998#2A

STEPLIGHTS ASL10-RD large round (10.5"/267mm) DATE / / TYPE GG

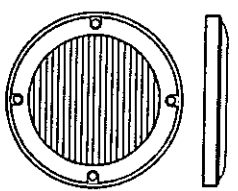
FIXTURE/LENS	MATERIAL & FINISH	LAMP BALLAST	OPTIONS
1	2	3	4

1 FIXTURE / LENS

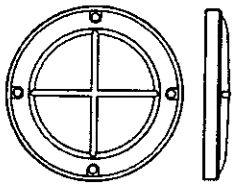
ASL10-RD frosted lens



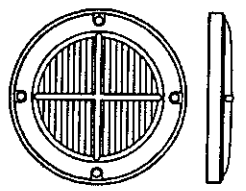
ASL10-RD-LS linear spread lens



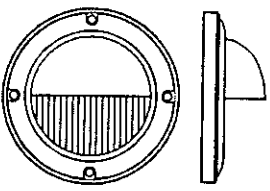
ASL10-RD-CROSS-FR frosted lens



ASL10-RD-CROSS-LS spread lens



ASL10-RD-EYE eyelid



2 MATERIAL & FINISH

BLK
Cast aluminum fascia with a black powder coat finish

MAL
Cast aluminum fascia with a matte aluminum powder coat

BRASS
Cast brass fascia unfinished - will patina over time

CUSTOM COLOR
Cast aluminum fascia with a other AAL color or a custom color in a powder coat finish.

3 LAMP/BALLAST

CF26
120/277 volt electronic ballast for a 26 watt 4 pin compact fluorescent lamp.

35MH
35 watt metal halide multitap ballast, 120/277 volt.

50MH
50 watt metal halide multitap ballast, 120/277 volt.

70MH
70 watt metal halide multitap ballast, 120/208/240/277 volt.

100MH
100 watt metal halide multitap ballast, 120/208/240/277 volt.

50HPS
50 watt high pressure sodium multitap ballast, 120/277 volt.

70HPS
70 watt high pressure sodium multitap ballast, 120/208/240/277 volt.

100HPS
100 watt high pressure sodium multitap ballast, 120/208/240/277 volt.

Lamps not included.
Unless noted, use ED-17 lamps.
All ballasts prewired for 277 volts.

4 OPTIONS

347
120/227/347 volt ballast
Available for the 70MH, 100MH, 70 HPS and 100HPS only.

GLOW
Cast acrylic ring with a frosted finish. Adds a soft backlit glow around the perimeter of the fascia. Increases the projection of the fascia by 1/2"/13mm. For standard flush mount (recessed back box) only.

SEMI
Semi recessed for wall or ceiling mounting. Includes an extruded aluminum sleeve and cast aluminum back plate ring. ADA compliant (except for the eyelid fascia). Maximum of 70 watts HID for ceiling mounted installations. Available only in a painted finish.

SURF
Surface mounting for wall or ceiling installations. Includes an extruded aluminum sleeve and cast aluminum back plate. ADA compliant (except for the eyelid fascia). Maximum of 70 watts HID for ceiling mounted installations. Available only in a painted finish.

B5A
Housing ahead option Back Box with strap only for standard flush mounting.

SOLD TO	PO #	JOB NAME	Approvals
---------	------	----------	-----------

ARCHITECTURAL AREA LIGHTING

14249 Artesia Blvd / La Mirada, CA 90638
714 994.2700 / fax 714 994.0522 / www.aal.net

Ref ASL10RD.pdf copyright 2001, design patented

FIXTURE GG

82-DR-1998#2A

THE PROMENADE

STEPLIGHTS ASL10-RD large round (10.5"/267mm)

PAGE 2 OF 2

HOUSING

The housing shall be one piece, molded from fiber-glass impregnated, U.L. listed, sheet molding compound. The housing shall have threaded brass inserts molded into the housing to attach the cover assembly. The housing shall include a removable aluminum mounting strap to secure the housing to the structure. The semi recessed and surface mounted fixtures (round style only) shall have an extruded aluminum outer shell, and include a cast aluminum back plate.

All internal and external hardware shall be stainless steel.

The cover assembly shall consist of a die cast aluminum (or brass) frame and inner ring assembly. The cover assembly shall fully seal the housing with a molded silicone gasket. The inner fascia ring shall be rotatable to insure horizontal alignment independent of the housing. Four captive stainless steel fasteners are loosened to access the lamp and ballast assembly. The lens shall be tempered glass, frosted or with a molded linear refractor pattern. The outer sleeve for the surface (SURF), and semi recessed (SEMI) model option is extruded aluminum with a cast aluminum back plate. The standard housing is attached to the sleeve with four stainless steel screws. The assembly is then secured to the back plate with four stainless steel set screws.

OPTICAL ASSEMBLY

The reflector module shall be composed of faceted, semi specular anodized aluminum panels rigidly attached to an aluminum tray. The reflector shall have an integral lamp shield. The reflector module shall fasten to the housing and have a five degree rotational compensation adjustment to align the lamp.

ELECTRICAL

The ballast shall be mounted on a prewired tray with a quick disconnect plug and removed by pulling out of the housing. The HID ballasts are high power factor, rated for -30°F starting. Sockets are medium base, pulse rated porcelain. The compact fluorescent model shall have a GX24q-3 socket for a 26 watt 4 pin lamp, and an electronic ballast, -5°F starting. Ballasts are multi-tap, wired at the factory for 277 volts.

FINISH

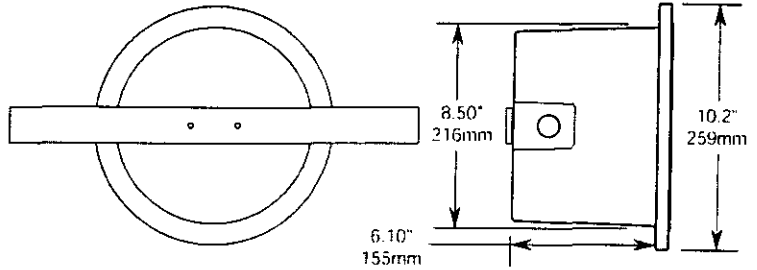
The cast aluminum fascia finish consists of a five stage pretreatment regimen with a polymer primer sealer, oven dry off and top coated with a thermoset super TGIC polyester powder coat finish in matte aluminum (MAL) or black (BLK). The finish shall meet the AAMA 605.2 performance specification which includes passing a 3000 hour salt spray test for corrosion resistance. Cast brass face plates shall be supplied in a natural, unfinished state to develop a patina.

CERTIFICATION

The fixture shall be listed with ETL outdoor, wet location use, UL1570 & 1572 and Canadian CSA Std. C22.2 No.9. IP=66

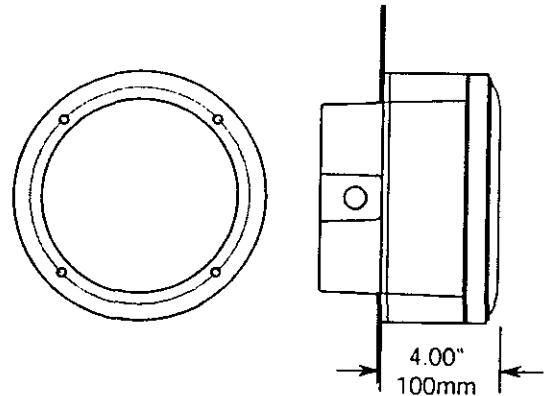
WARRANTY

Fixture shall be warranted for three years. Ballast components carry the ballast manufacturer's limited warranty.

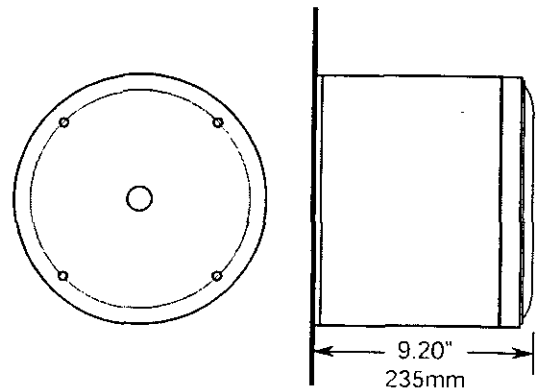


BACK BOX STRAP:
1.50"/38mm x 17.5"/445mm
2 conduit holes on opposite sides .92"/23mm diameter

ASL10-RD
DIMENSIONS:
10.5"/267mm diameter
PROJECTION FROM WALL:
PLAIN AND CROSS: 1.31"/33mm
EYELID: 3.75"/93mm



SEMI (semi recessed mounting - wall or ceiling)
BACK PLATE: 10.5"/267mm diameter
BOLT CIRCLE: 9.0"/230mm diameter



SURF (surface mounting - wall or ceiling)
BACK PLATE: 10.5"/267mm diameter
BOLT CIRCLE: 9.0"/230mm diameter

ARCHITECTURAL AREA LIGHTING

14249 Artesia Blvd / La Mirada, CA 90638
714 994.2700 / fax 714 994.0522 / www.aal.net

Ref:ASL10RD.pdf copyright 2001, design patented

FIXTURE GG

82-DR-1998#2A

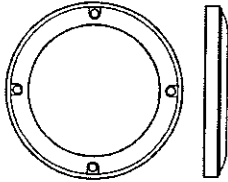
THE PROMENADE
ILLUSTRATION COURTESY OF LIGHTING FIXTURES

STEPLIGHTS ASL10-RD large round (10.5"/267mm) DATE / / TYPE **GG**

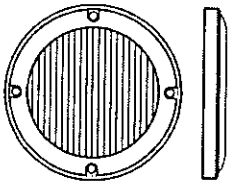
FIXTURE/LENS	MATERIAL & FINISH	LAMP BALLAST	OPTIONS
1	2	3	4

1 FIXTURE / LENS

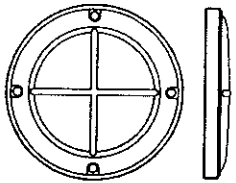
- ASL10-RD frosted lens



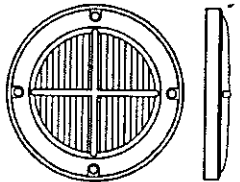
- ASL10-RD-LS linear spread lens



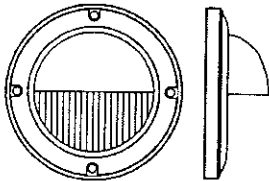
- ASL10-RD-CROSS-FR frosted lens



- ASL10-RD-CROSS-LS spread lens



- ASL10-RD-EYE eyelid



2 MATERIAL & FINISH

- BLK**
Cast aluminum fascia with a black powder coat finish
- MAL**
Cast aluminum fascia with a matte aluminum powder coat
- BRASS**
Cast brass fascia unfinished - will patina over time
- CUSTOM COLOR**
Cast aluminum fascia with a other AAL color or a custom color in a powder coat finish.

3 LAMP/BALLAST

- CF26**
120/277 volt electronic ballast for a 26 watt 4 pin compact fluorescent lamp.
- 35MH**
35 watt metal halide multitap ballast, 120/277 volt.
- 50MH**
50 watt metal halide multitap ballast, 120/277 volt.
- 70MH**
70 watt metal halide multitap ballast, 120/208/240/277 volt.
- 100MH**
100 watt metal halide multitap ballast, 120/208/240/277 volt.
- 50HPS**
50 watt high pressure sodium multitap ballast, 120/277 volt.
- 70HPS**
70 watt high pressure sodium multitap ballast, 120/208/240/277 volt
- 100HPS**
100 watt high pressure sodium multi-tap ballast, 120/208/240/277 volt

Lamps not included.
Unless noted use ED-17 lamps

All ballasts prewired for 277 volts.

4 OPTIONS

- 347**
120/227/347 volt ballast
Available for the 70MH, 100MH, 70 HPS and 100HPS only.
- GLOW**
Cast acrylic ring with a frosted finish. Adds a soft backlit glow around the perimeter of the fascia. Increases the projection of the fascia by 1/2"/13mm. For standard flush mount (recessed back box) only.
- SEMI**
Semi recessed for wall or ceiling mounting. Includes an extruded aluminum sleeve and cast aluminum back plate ring. ADA compliant (except for the eyelid fascia). Maximum of 70 watts HID for ceiling mounted installations. Available only in a painted finish.
- SURF**
Surface mounting for wall or ceiling installations. Includes an extruded aluminum sleeve and cast aluminum back plate. ADA compliant (except for the eyelid fascia). Maximum of 70 watts HID for ceiling mounted installations. Available only in a painted finish.
- B5A**
Housing ahead option Back Box with strap only for standard flush mounting.

SOLD TO _____ PO # _____ JOB NAME _____ Approvals _____

STEPLIGHTS ASL10-RD large round (10.5"/267mm)

PAGE 2 OF 2

HOUSING

The housing shall be one piece, molded from fiber-glass impregnated, U.L. listed, sheet molding compound. The housing shall have threaded brass inserts molded into the housing to attach the cover assembly. The housing shall include a removable aluminum mounting strap to secure the housing to the structure. The semi recessed and surface mounted fixtures (round style only) shall have an extruded aluminum outer shell, and include a cast aluminum back plate.

All internal and external hardware shall be stainless steel.

The cover assembly shall consist of a die cast aluminum (or brass) frame and inner ring assembly. The cover assembly shall fully seal the housing with a molded silicone gasket. The inner fascia ring shall be rotatable to insure horizontal alignment independent of the housing. Four captive stainless steel fasteners are loosened to access the lamp and ballast assembly. The lens shall be tempered glass, frosted or with a molded linear refractor pattern. The outer sleeve for the surface (SURF), and semi recessed (SEMI) model option is extruded aluminum with a cast aluminum back plate. The standard housing is attached to the sleeve with four stainless steel screws. The assembly is then secured to the back plate with four stainless steel set screws.

OPTICAL ASSEMBLY

The reflector module shall be composed of faceted, semi specular anodized aluminum panels rigidly attached to an aluminum tray. The reflector shall have an integral lamp shield. The reflector module shall fasten to the housing and have a five degree rotational compensation adjustment to align the lamp.

ELECTRICAL

The ballast shall be mounted on a prewired tray with a quick disconnect plug and removed by pulling out of the housing. The HID ballasts are high power factor, rated for -30°F starting. Sockets are medium base, pulse rated porcelain. The compact fluorescent model shall have a GX24q-3 socket for a 26 watt 4 pin lamp, and an electronic ballast, -5°F starting. Ballasts are multi-tap, wired at the factory for 277 volts.

FINISH

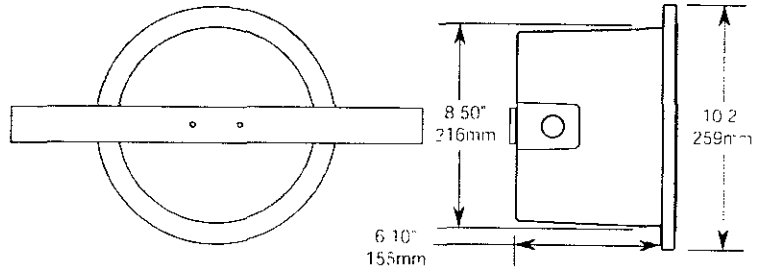
The cast aluminum fascia finish consists of a five stage pretreatment regimen with a polymer primer sealer, oven dry off and top coated with a thermoset super TGIC polyester powder coat finish in matte aluminum (MAL) or black (BLK). The finish shall meet the AAMA 605.2 performance specification which includes passing a 3000 hour salt spray test for corrosion resistance. Cast brass face plates shall be supplied in a natural, unfinished state to develop a patina.

CERTIFICATION

The fixture shall be listed with ETL outdoor, wet location use, UL1570 & 1572 and Canadian CSA Std. C22.2 NO.9. IP=66

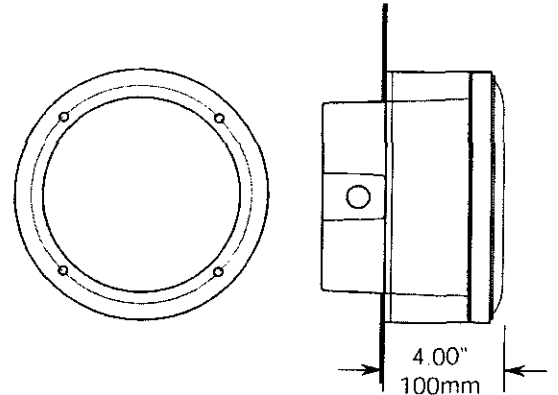
WARRANTY

Fixture shall be warranted for three years. Ballast components carry the ballast manufacturer's limited warranty.

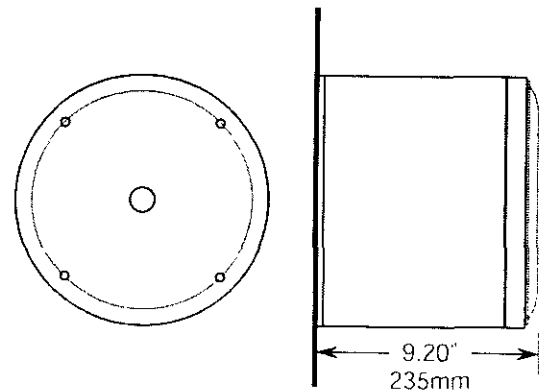


BACK BOX STRAP:
1.50"/38mm x 17.5"/445mm
2 conduit holes on opposite sides .92"/23mm diameter

ASL10-RD
DIMENSIONS:
10.5"/267mm diameter
PROJECTION FROM WALL:
PLAIN AND CROSS: 1.31"/33mm
EYELID: 3.75"/93mm



SEMI (semi recessed mounting - wall or ceiling)
BACK PLATE: 10.5"/267mm diameter
BOLT CIRCLE: 9.0"/230mm diameter



SURF (surface mounting - wall or ceiling)
BACK PLATE: 10.5"/267mm diameter
BOLT CIRCLE: 9.0"/230mm diameter

ARCHITECTURAL AREA LIGHTING

14249 Artesia Blvd / La Mirada, CA 90638
714 994.2700 / fax 714 994.0522 / www.aal.net
Ref:ASL10RD.pdf copyright 2001, design patented