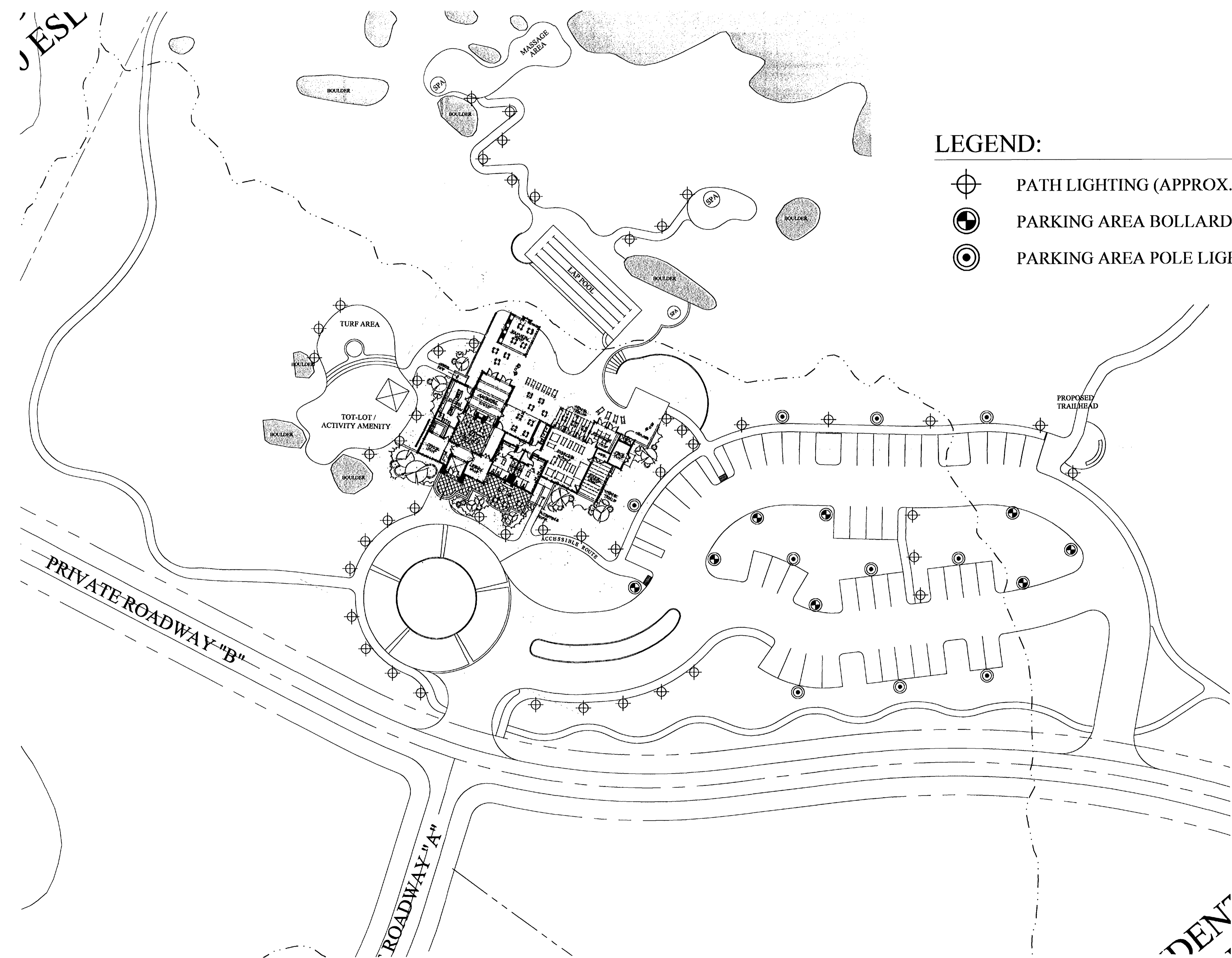





Sereno Canyon

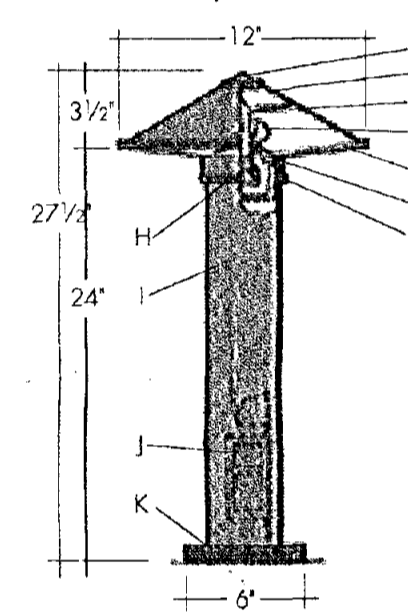
CONCEPTUAL LIGHTING SITE PLAN



LEGEND:

-  PATH LIGHTING (APPROX. HEIGHT = 27-IN.)
-  PARKING AREA BOLLARD LIGHTING (APPROX. HEIGHT = 40-IN.)
-  PARKING AREA POLE LIGHTING (MAX HEIGHT = 12' per E.S.L.O)

T-47
Projector Path Light



Description
Metal Halide pathway luminaire.

Materials and Construction

- A. Machined brass finial
- B. Heavy pure copper shade
- C. Anodized aluminum reflector
- D. Toroidal glass projector lens
- E. Clear acrylic water shield
- F. Cast bronze lamp hub
- G. Cast bronze socket housing
- H. Socket for G12 ceramic Metal Halide lamps or ceramic GY6.35 for low voltage model
- I. Heavy, 1.25 wall X 3.5" O.D. pure copper stem
- J. Ballast assembly for 35/39W ANSI M130 ceramic metal halide lamp, 120V, HPF magnetic ballast is standard. For low voltage model, transformer is electronic.
- K. Cast bronze and stainless steel base assembly with 4 anchor points on 3.5" ball circle
- L. All stainless steel fasteners

Mounting

- Supplied with TEKA mounting kit #34. Allows for two (2) 3/4" maximum trade size conduits.
- Note: Higher mounting heights not recommended.

Product Number	Lamp	Finish Option
PPL2546 / Natural	35W T6-MH	Brown Patina
PPL2540 / Natural	12V 50W GY6.35	Brown Patina

Options available at additional cost...

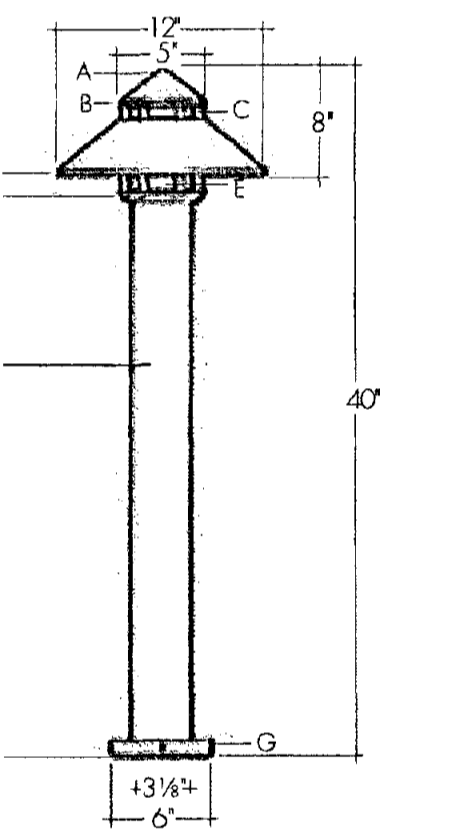
- A. Add suffix BP for brown patina
- B. Add suffix SB for soft beam optics when view under shade is possible
- C. Add suffix 277 for 277V supply

Note:

U.L. and CUL listed, suitable for wet locations.

TEKA ILLUMINATION, INC.
85 Gibson Road, #3 Templeton, California 93465 (805) 434-3511

T-57
Beacon Shaded Bollard



Description
Exterior bollard luminaire.

Materials and Construction

- A. Cast bronze cap
- B. Stainless steel or copper on stainless steel Ring baffles
- C. Machined, solid brass spacers
- D. Heavy wall, 1.25 thk. solid copper post, 3.5" O.D.
- E. Etched glass cylinder
- F. Cast bronze housing
- G. Cast bronze base
- H. Solid copper, heavy wall shade
- I. Stainless steel and cast bronze anchor plate
- J. Provided with all stainless steel fasteners
- K. 120V electronic PL ballast with 1.5°F starting temperature is standard on PSC models

Mounting

TEKA mounting kit #34 provided. Allows for (2) 3/4" maximum trade conduits.

Product Number	Lamp	Rings	Finish Option
BSB-2546 / Natural	60W A-19	St. St.	Brown Patina
BSB-2516 / Natural	60W A-19	Copper	Brown Patina
BSB-2542 / Natural	26W PLT	St. St.	Brown Patina
BSB-2512 / Natural	26W PLT	Copper	Brown Patina

Options available at additional cost

- 1. Add suffix BP for brown patina
- 2. Add suffix # 277 to PLT models for integral 277V electronic ballast
- 3. For higher or lower heights available, consult factory

Note:

U.L. and CUL listed, suitable for wet locations.

TEKA ILLUMINATION, INC.
85 Gibson Road, #3 Templeton, California 93465 (805) 434-3511

SHEET 1 OF 1

Scale: (+/-)

