

EX



FEATURES & SPECIFICATIONS

INTENSE USE — Provides a minimum of 30 minutes illumination for the rated wattage upon loss of AC power. Ideal for applications requiring low-profile, attractive emergency lighting.

CONSTRUCTION — Compact, low-profile, architectural design with die-cast aluminum housing that has a contemporary brushed nickel-plated finish. Other available finishes are textured polyester powder coat paint in white, black and dark bronze. All finishes can be painted in the field to match the wall color of choice.

U.S. Patent No. 6,064,046

Standard optics provided with two 9W wedge-base xenon lamps offer 65 percent more light output than standard incandescent lamps. Patented reflecting/refracting design features superior wet-weathered, die-cast reflectors and multi-faceted, highly transmissive reflector that significantly improve photometric.

Forward throw (FTW) optics provided with two high-brightness white LEDs, providing an NFPA-101 compliant path 2' wide and 28' forward, when mounted 8-1/2" high.

All light sources meet requirements for NEC 701.16.

Dead-voltage input capability (120/277V).

Edge connectors on printed circuit board ensure long-term durability.

Universal J-bar mounting pattern.

Low-profile, integrated test switch/light located below the lens.

Easily visible green status indicator.

Rigid conduit entry provision on top of the unit.

BATTERY — Sealed, maintenance-free lead-sulfuric battery provides 12W rated capacity. Nickel-sulfuric battery with Premium and Exterior optics packages.

Automatic 48-hour recharge after a 60-minute discharge.

Low-voltage disconnect prevents excessively deep discharge that can permanently damage the battery. Single-circuit battery connection.

ELECTRONICS — Current-limiting charger maximizes battery life and minimizes energy consumption. Provides low operating costs.

Short-circuit protection — current-limiting charger circuitry protects printed circuit board from shorts.

Thermal protection senses circuitry temperature and adjusts charge current to prevent overheating and charger failure.

Thermal compensation adjusts charger output to provide optimum charge voltage relative to ambient temperature.

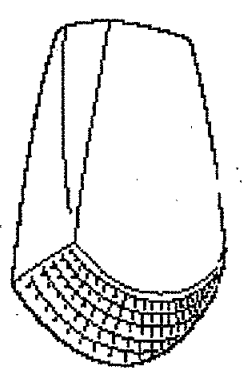
Regulated charge voltage maintains constant-charge voltage over a wide range of line voltage. Prevents overcharging that shortens battery life and reduces capacity.

Filtered charger input minimizes charge voltage ripple and extends battery life.

AGLYV reset allows battery connection before AC power is applied and prevents battery damage from deep discharge.

Catalog Number	
Model	Type

AFFINITY®
Die-Cast Architectural Emergency Light
AFN



Brownout protection is automatically switched to emergency mode when supply voltage drops below 90 percent of nominal.

EXT TD option package includes 30-minute time delay for supplemental lighting during HID startup.

SEI-DIAMONTECHICS (PREM and EXT TD optics packages)

Patented Electronics: U.S. Patent No. 6,582,244.

Single multi-chromatic LED indicator to display two-state charging, test activation and three-state diagnostic status.

Test switch provides manual activation of 30-second diagnostic testing for 30-second visual inspection.

Self-diagnostic testing for five minutes every 30 days and 30 minutes every six months.

Diagnostic evaluation of lamp, AC to DC transfer, charging and battery condition. Continuously monitors AC functionality.

Postpone automatic test inhibits night hour delay of an automatic test by activating the manual test switch.

LISTING — UL listed. Wet location (EXT TD listed. Damp location (PREM, EXT TD) listed. Cold weather (EXT TD) listed.

Meets UL 624, NFPA 101, NFPA 70-NEC and OSHA Illumination standards. ETL listed.

WARRANTY — Three-year warranty.

ORDERING INFORMATION For shortest lead times, configure product using standard options (shown in bold).

Example: AFN W EXT

AFN		Option packages	
Family	Finish		
AFN AFFINITY Series die-cast architectural emergency lighting	W White B Black BN Brushed nickel DB Dark Bronze ²	(Interk) Features lead calcium battery	
		PREM Features nickel cad battery, self-diagnostics and damp location (D) to 100°C (212°F to 212°F)	
		EXT Features high-temperature nickel cad battery listed from -15° to 100°C (5° to 212°F), self-diagnostics, time delay, listed for cold weather, damp and wet location	
		FWD Forward throw optics ³	

NOTES:
1 Back home can only be ordered with EXT option. This finish is not available on other units.
2 Gray available in EXT option.

Accessories
EIAARMS08: Remote battery (from batteries and electronics) to be powered by AC battery equipment as part of an emergency lighting system listed from 10° to 122°C, 10°C to 50°C, W, 6 finishes available.

Emergency Sheet #: AFN ARC-60



www.cawleyarchitects.com

730 N. 52nd Street
Suite 203
Phoenix, AZ 85008
602.393.5060

DWG. FOR REFERENCE ONLY

TRIYAR

4405
N. SADDLEBAG TR.
SCOTTSDALE
ARIZONA

DATE
12-18-2009



740 N. 52nd St.
Phoenix, AZ
480.966.4001

13-DR-10
APPROVED
FINAL PLANS PLANNING
6-30-10
DATE APPROVED BY

PLEASE DIRECT QUESTIONS REGARDING THE ELECTRICAL DESIGN OF THIS PROJECT TO GREG HAMPTON.

TONY WOO ENGINEERING, INC.
5151 N. 16TH STREET, STE. D-132
PHOENIX, AZ 85016
TEL (602) 279-8092
FAX (602) 279-8094
JOB # 10010

The architectural design and data presented in these documents is an instrument of service provided by Cawley Architects for the exclusive use by L.G.E. Corporation in connection with a Design-Build construction contract. Any other use or release of these drawings may result in civil damages.

All discrepancies found in these documents, or conflicts between these documents and actual field conditions shall be reported to Cawley Architects for resolution prior to commencement of the work, or proceed at contractor's own risk.

Discrepancies between bid amounts presented to L.G.E. Corporation and these documents shall be reported to L.G.E. prior to commencement of work.

Project: TRIYAR
CS-2
of 2

SA, SA=EL

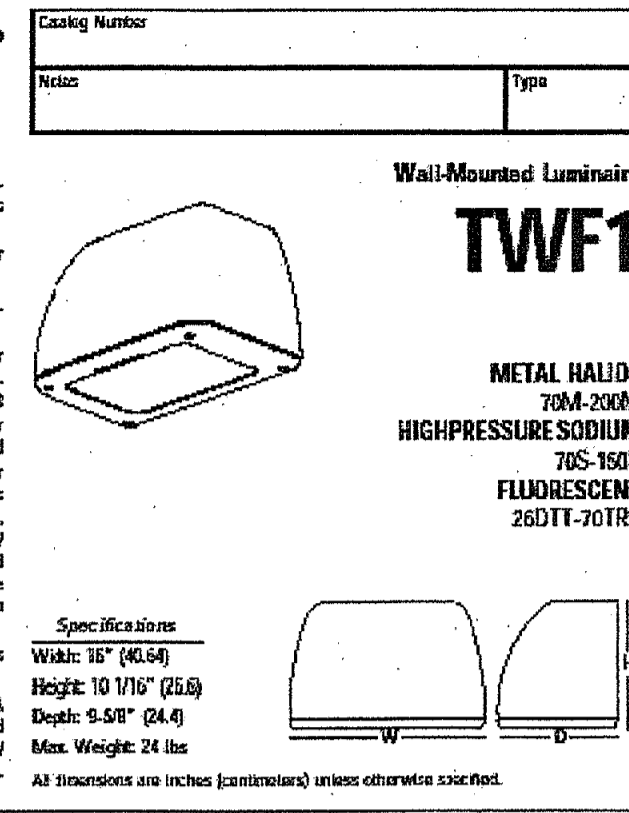
SC/SCE

3V



FEATURES & SPECIFICATIONS

RECOMMEND USE - For building and well-mounted applications. CONSTRUCTION - Rugged die-cast, single-piece aluminum housing...



ORDERING INFORMATION

Table with columns: Series, Wattage, Voltage, Ballast, Options, Lamp. Includes notes and technical details for TWF1.

SE



VZ WALL MOUNT DOWN LIGHT CYLINDER COMPACT FLUORESCENT

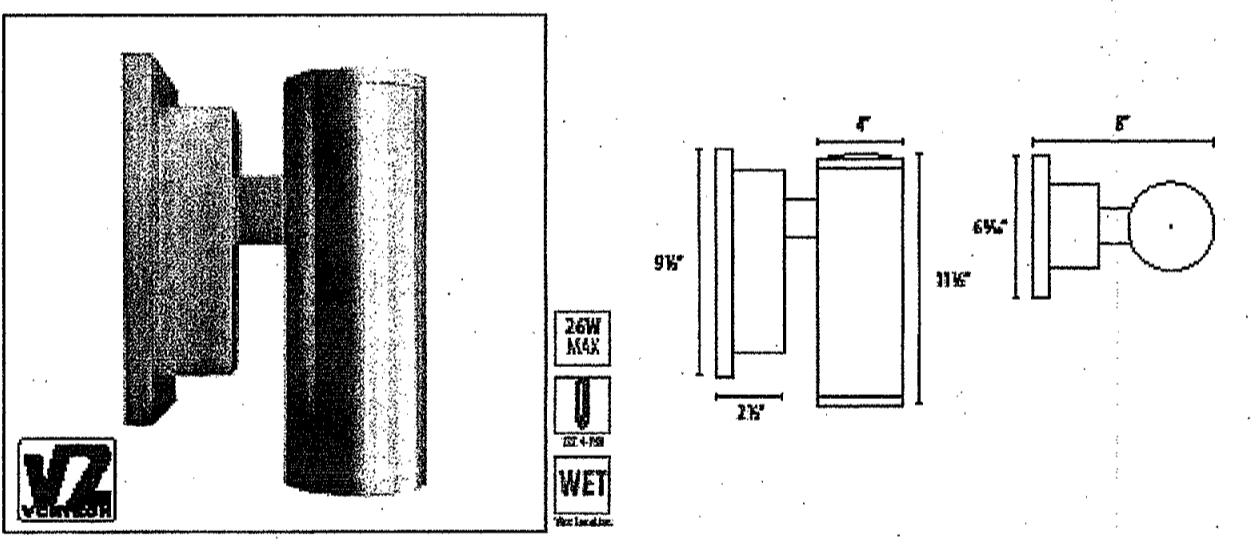
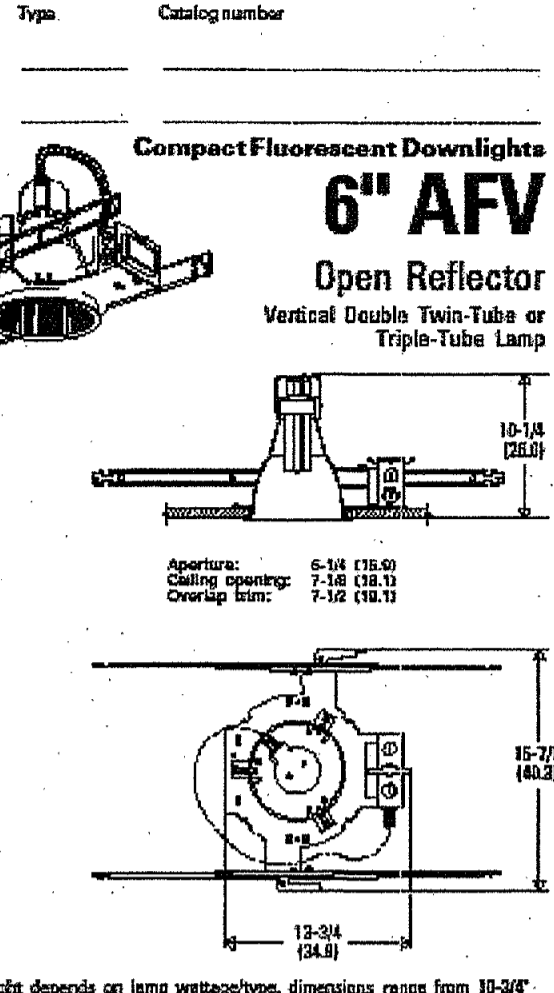


Table with columns: Series, Lamp, Wattage, Voltage, Ballast, Options, Lamp. Includes notes and technical details for VZ.



FEATURES

- OPTICAL SYSTEM - Self-flanged, semi-specular or matto-diffuse reflector. Patented Variesys™ Bouncing Ray™ Optical Principle design...



ORDERING INFORMATION

Table with columns: Series, Wattage/Lamp, Aperture/Trim color, Finish, Voltage, Ballast, Options. Includes notes and technical details for AFV.



SF

Aspen™ Series

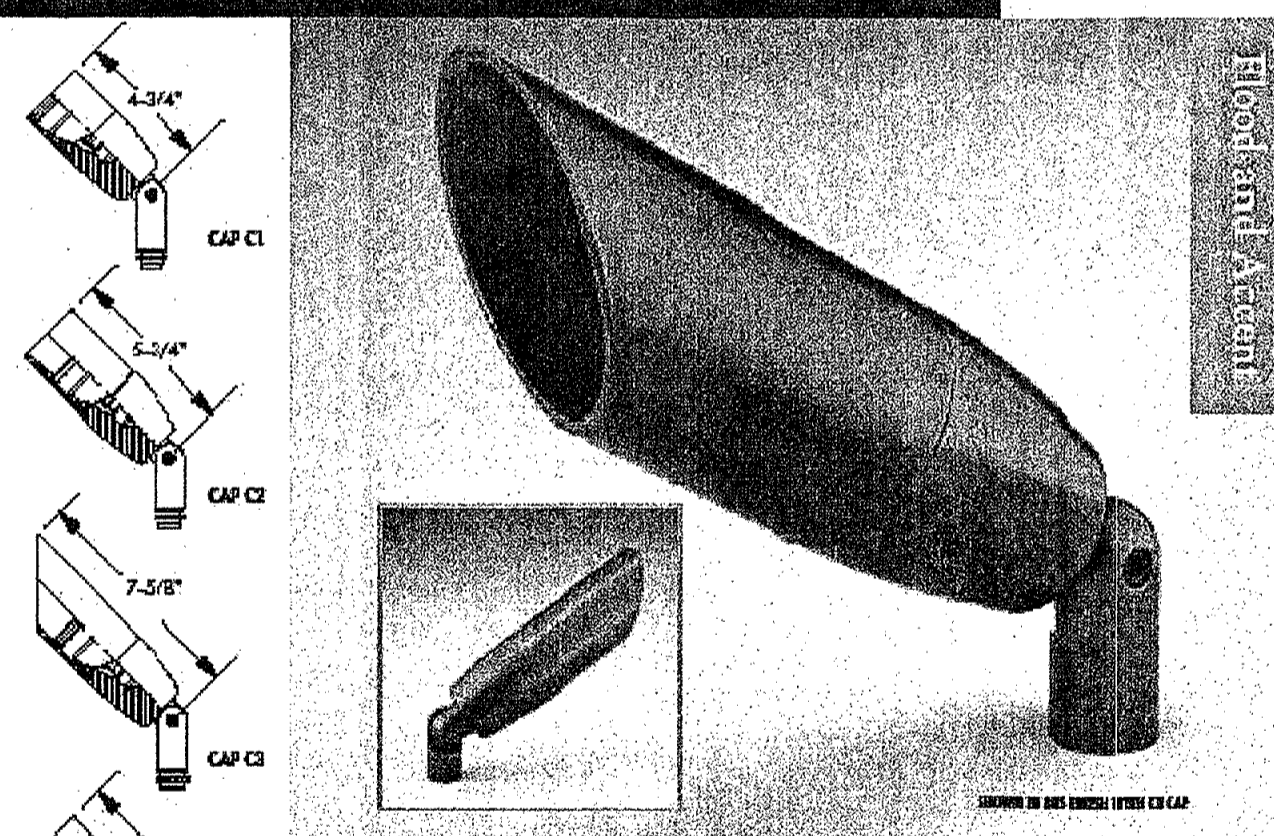


Table with columns: 1. SERIES, 2. LAMP, 3. VOLTAGE, 4. ACCESSORY LENS, 5. FINISH COLOR, 6. COLOR FILTER. Includes notes and technical details for Aspen.

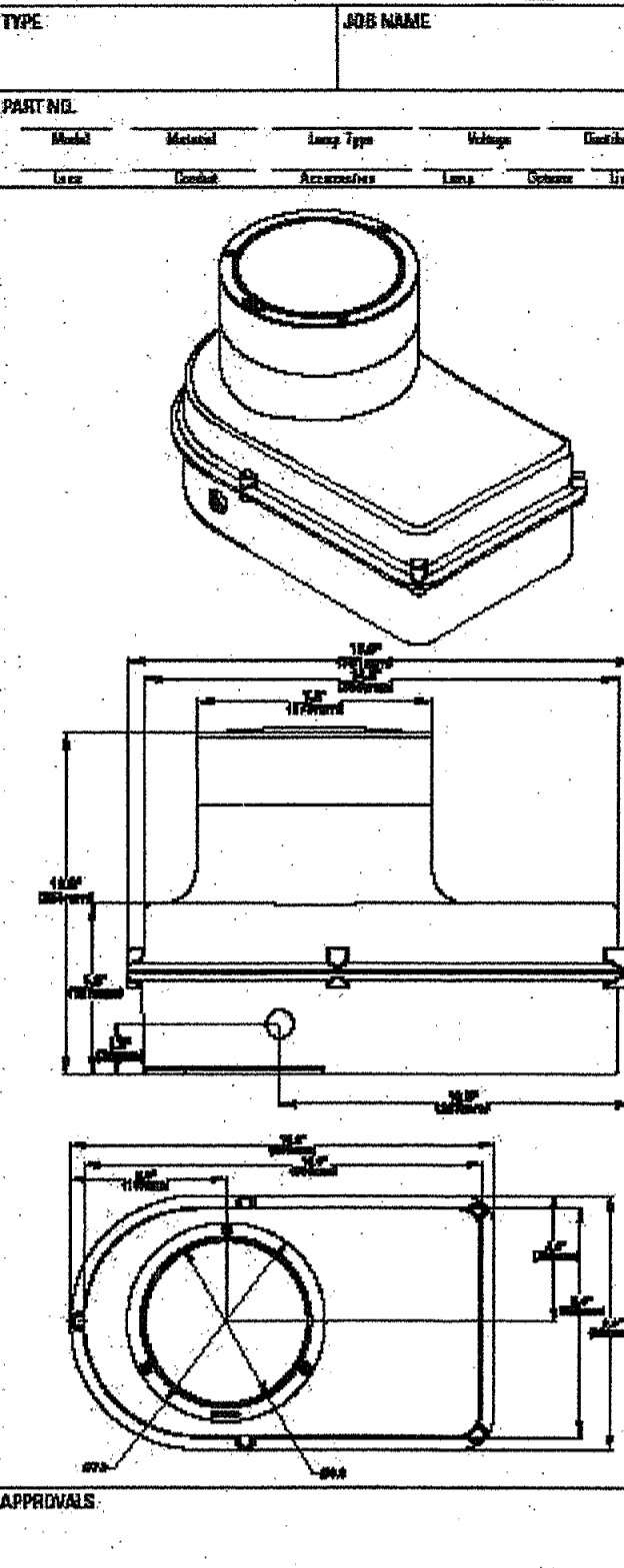
Visit our website for complete specifications. www.foonsighting.com



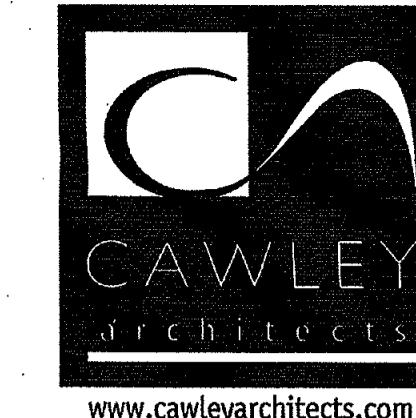
SUITABLE FOR WET LOCATIONS IP68

PARADOX ARCHITECTURAL IN-GRADE COOL LENS

Hydrel's Paradox Series sealed modular in-grade luminaires are multi-purpose units designed for up lighting architectural and landscape features...



LISTING: UL, CUL. 60000 Anvily Branch Lighting, Inc. 2000 North 16th St., Suite 5, Phoenix, AZ 85016



730 N. 52nd Street Suite 203 Phoenix, AZ 85008 602.393.5060

DWG. FOR REFERENCE ONLY

TRIYAR 4405 N. SADDLEBAG TR. SCOTTSDALE ARIZONA

DATE 12-18-2009

LGE DESIGN-BUILD 740 N. 52nd St. Phoenix, AZ 480.966.4001

PLEASE DIRECT QUESTIONS REGARDING THE ELECTRICAL DESIGN OF THIS PROJECT TO GREG HAMPTON.

13-PR-10 APPROVED FINAL PLANS PLANNING 6-30-10

TONY WOO ENGINEERING, INC. 5151 N. 16TH STREET, STE. D-132 PHOENIX, AZ 85016

Project: TRIYAR CS-1 of 2

**DWG. FOR
REFERENCE
ONLY**

TRIVAR

4405
N. SADDLEBAG TR.
SCOTTSDALE
ARIZONA

DATE

12 - 18 - 2009

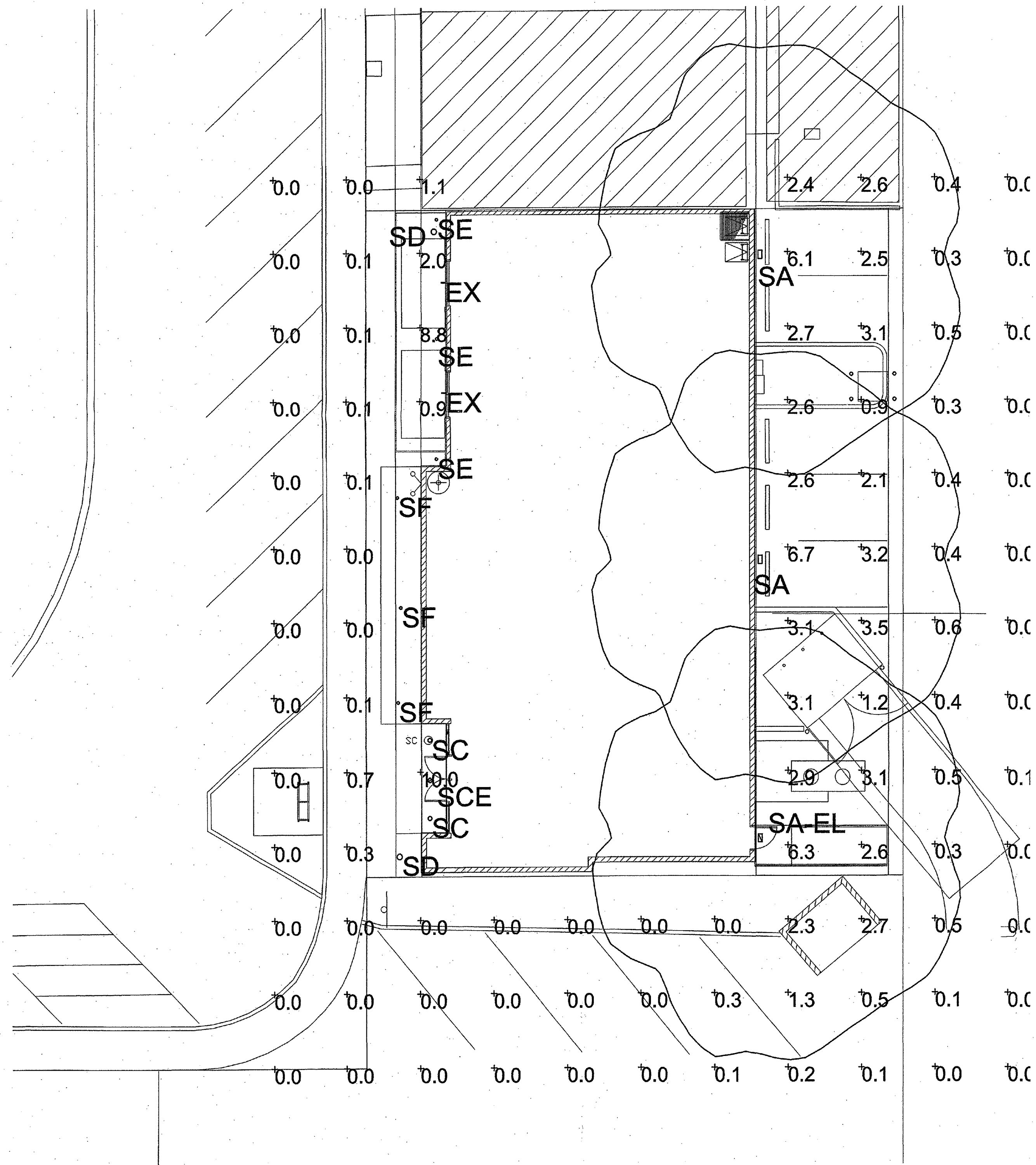
LGE
DESIGN BUILD

740 N. 52nd St.
Phoenix, AZ
480.966.4001

The architectural design and data presented in these documents is an instrument of service provided by Cawley Architects for the exclusive use by L.G.E. Corporation in connection with a Design/Build construction contract. Any other use or release of these drawings may result in civil damages.

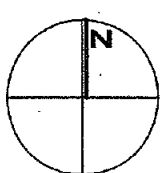
All discrepancies found in these documents, or conflicts between these documents and actual field conditions shall be reported to Cawley Architects for resolution prior to commencement of the work, or proceed at contractor's own risk.

Discrepancies between bid amounts presented to L.G.E. Corporation and these documents shall be reported to L.G.E. prior to commencement of work.



PHOTOMETRIC SITE PLAN

1" = 10' - 0"



Symbol	Label	Qty	Catalog Number	Description	Lamp	File	Lumens	LLF	Watts
□	SA	2	LITHONIA TWF1 100M	WALL MOUNTED FIXTURE WITH 100 WATT MH MEDIUM BASE LAMP / MOUNTED @ 12'	1- 100W METAL HALIDE	TWF1_150M.lvs	8500	0.81	100
□	SA-EL	1	LITHONIA TWF1 100M ZELED	WALL MOUNTED FIXTURE WITH 100 WATT MH MEDIUM BASE LAMP WITH EMERGENCY LED AND BATTERY MOUNTED @ 12'	1- 100W METAL HALIDE	TWF1_150M.lvs	8500	0.81	100
○	SC	2	LITHONIA AFV 26DTT 6AR	AFV 6" APERTURE OPEN DOWNLIGHT 26DTT	ONE 26-WATT DOUBLE TWIN TUBE COMPACT FLUORESCENT, VERTICAL BASE UP POSITION.	AFV_26DTT_6 AR.lvs	1800	0.75	33
○	SCE	1	LITHONIA AFV 26DTT 6AR EL	AFV 6" APERTURE OPEN DOWNLIGHT 26DTT WITH EMERGENCY BATTERY	ONE 26-WATT DOUBLE TWIN TUBE COMPACT FLUORESCENT, VERTICAL BASE UP POSITION.	AFV_26DTT_6 AR.lvs	1800	0.75	33
○	SD	2	HYDREL FDXCL B M35 MFL	PARADOX IN GROUND FLOOD	1-35 WATT MR16	FSR-12053.lvs	0	0.75	35
○	SE	3	INTENSE IVT506CFST 26	4"L. X 8"W. X 11-1/2"H. WALL MOUNTED DOWN	1-26 WATT COMPACT FLUORESCENT	IVT506MHST3 9-SF15.lvs	1800	0.75	26
○	SF	3	WINONA AS 14 12V LD BRG FD SHD	ASPEN SERIES LANDSCAPE LIGHT	1-35 WATT MR16	FSR-12053.lvs	0	0.75	35
—	EX	2	LITHONIA AFN	ARCHITECTURAL EMERGENCY LIGHTING, CLEAR PRISMATIC LENS.	TWO 6-WATT FROSTED T3-1/4 WEDGE BASE INCANDESCENT, HORIZONTAL POSITION.	AFN.lvs	0	1.00	12

Description	Symbol	Avg	Max	Min	Max/Min	Avg/Min
BLDG 2	+	1.0 fc	10.0 fc	0.0 fc	N/A	N/A

13-DR-10
APPROVED
FINAL PLANS PLANNING
6-30-10
DATE

PLEASE DIRECT QUESTIONS REGARDING THE ELECTRICAL DESIGN OF THIS PROJECT TO GREG HAMPTON.

TONY WOO ENGINEERING, INC.
5151 N. 16TH STREET, STE. D-132
PHOENIX, AZ 85016
TEL (602) 278-8092
FAX (602) 278-8094
JOB # 10010

Project: TRIVAR

PH-1
of 1