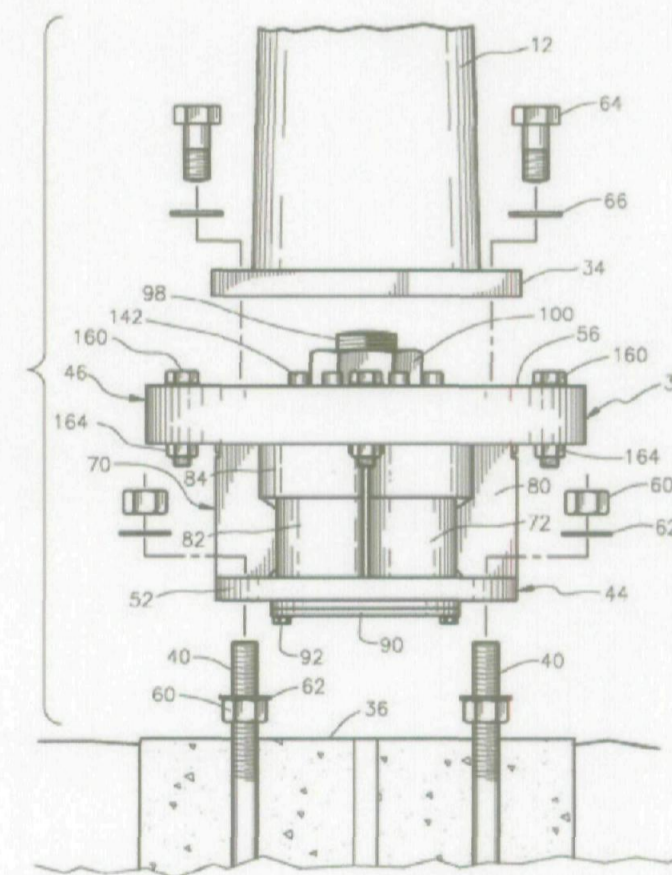
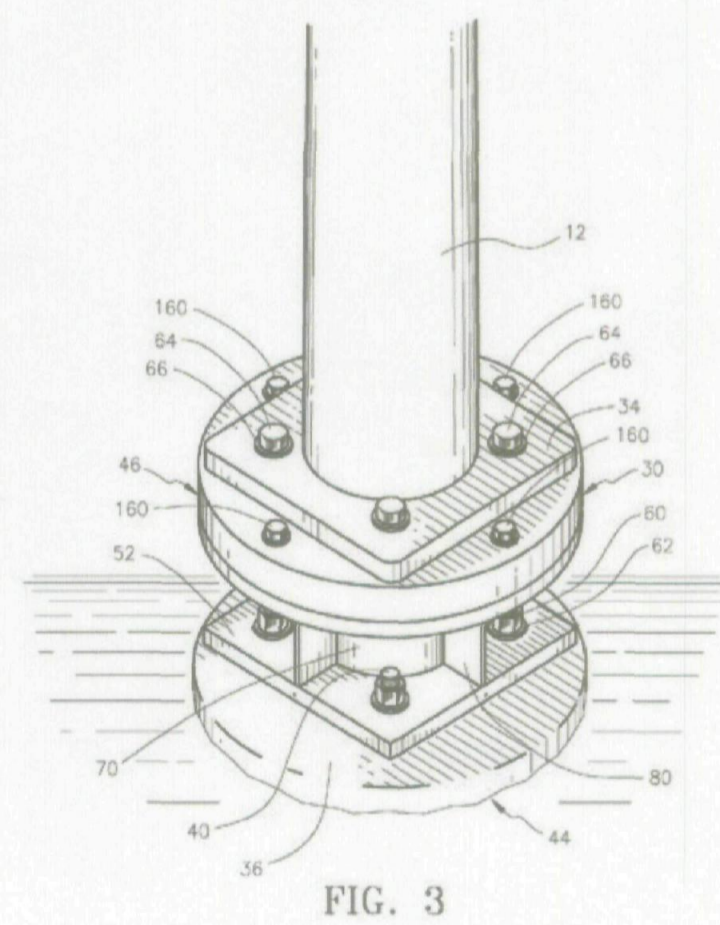
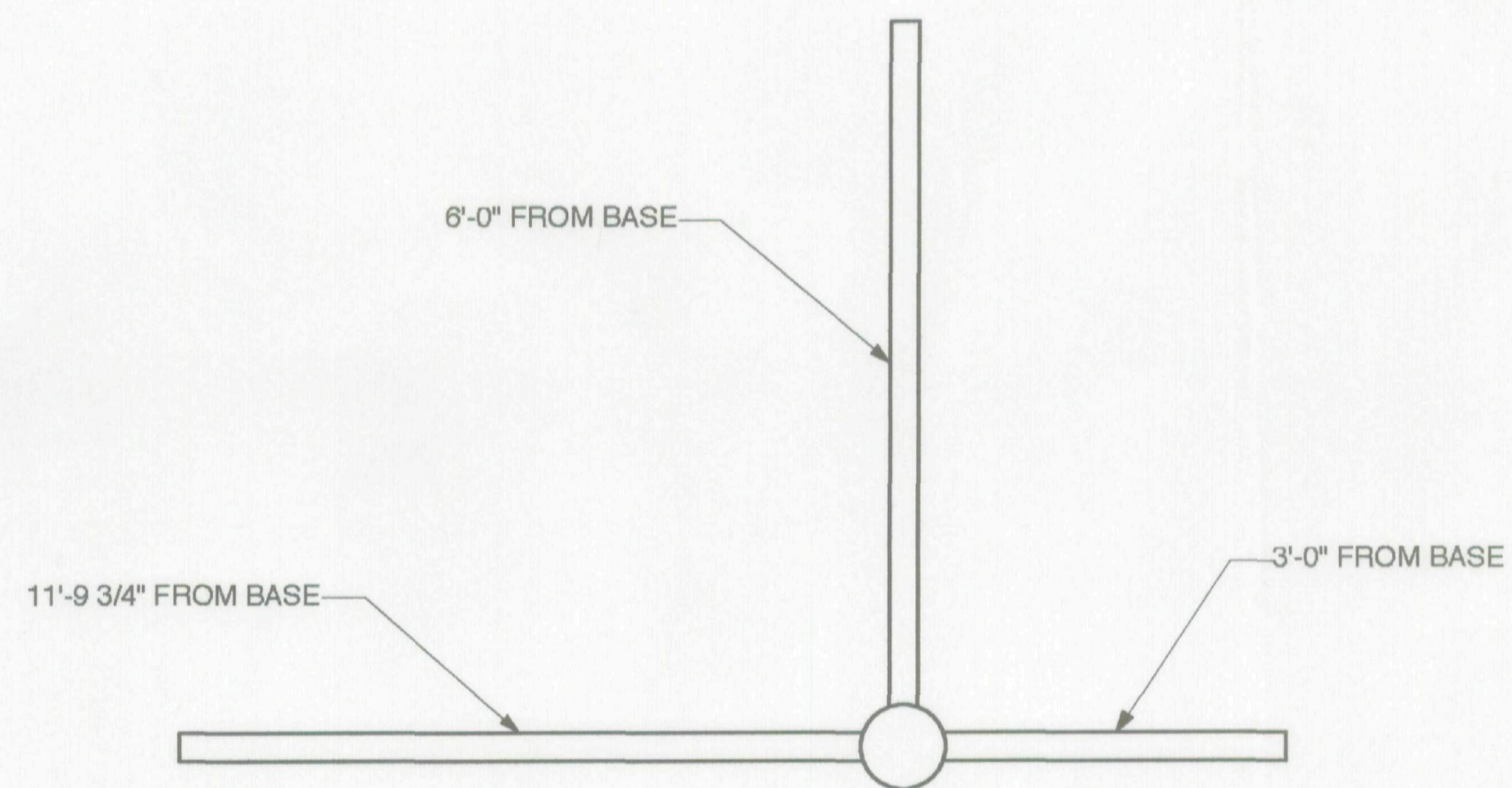


U.S. Patent Apr. 28, 2009 Sheet 3 of 7 US 7,523,912 B1

U.S. Patent Apr. 28, 2009 Sheet 4 of 7 US 7,523,912 B1



**A** GROUNDPLAN  
SCALE 1/8" = 1'-0"

NOT WORKING  
DRAWINGS

KEY

THIS DRAWING AND ALL THE IDEAS, ARRANGEMENTS, DESIGNS AND PLANS INDICATED THEREIN OR REPRESENTED THEREBY ARE OWNED BY AND REMAIN THE PROPERTY OF THE DESIGNER AND HAVE BEEN CREATED AND DEVELOPED FOR USE ON AND IN CONNECTION WITH THIS SPECIFIC PROJECT. NEITHER THE DRAWING NOR ANY OF SUCH IDEAS, ARRANGEMENTS, DESIGNS OR PLANS SHALL BE APPROPRIATED BY OR DISCLOSED TO ANY PERSON, FIRM OR CORPORATION FOR ANY USE OR PURPOSE WHATSOEVER EXCEPT BY THE SPECIFIC AND WRITTEN PERMISSION OF THE DESIGNER. THE IMPLEMENTATION OF THIS DESIGN MUST APPLY WITH THE MOST STRINGENT FEDERAL AND LOCAL SAFETY AND FIRE CODES. ALL DRAWINGS, LISTS, AND DRAFTS REPRESENT DESIGN INTENT AND VISUAL CONCEPTS ONLY. THE DESIGNER IS AN UNLICENSED DESIGNER AND WILL NOT ASSUME RESPONSIBILITY FOR IMPROPER ENGINEERING, CONSTRUCTION, HANDLING, OR USE OF EQUIPMENT WHICH IMPLEMENTS THIS DESIGN.

**phx**  
**THEATRE**  
The City's Theatre. Your Theatre.

# STAGEBRUSH GROUNDPLAN

DESIGN: TODD HULET  
ARTISTIC DIRECTOR:  
MICHAEL BARNARD

CITY OF SCOTTSDALE  
COMMUNITY DEVELOPMENT  
STAFF APPROVAL  
SITE PLAN

SITE PLAN WAS APPROVED BY STAFF WITH STIPULATIONS AS NOTED ON THE SITE PLAN. APPROVAL OF THIS DESIGN DOES NOT CONSTITUTE APPROVAL OF ANY MATERIALS THAT ARE CONTRARY TO THE BUILDING CODE OF THE CITY OF SCOTTSDALE.

10-23-09  
DATE: 20 JUL 2009  
REVISED: 20 JUL 2009

SHEET  
**A**

SCALE: 1/8" = 1'-0"  
DATE: 20 JUL 2009  
REVISED: 20 JUL 2009

INCHES