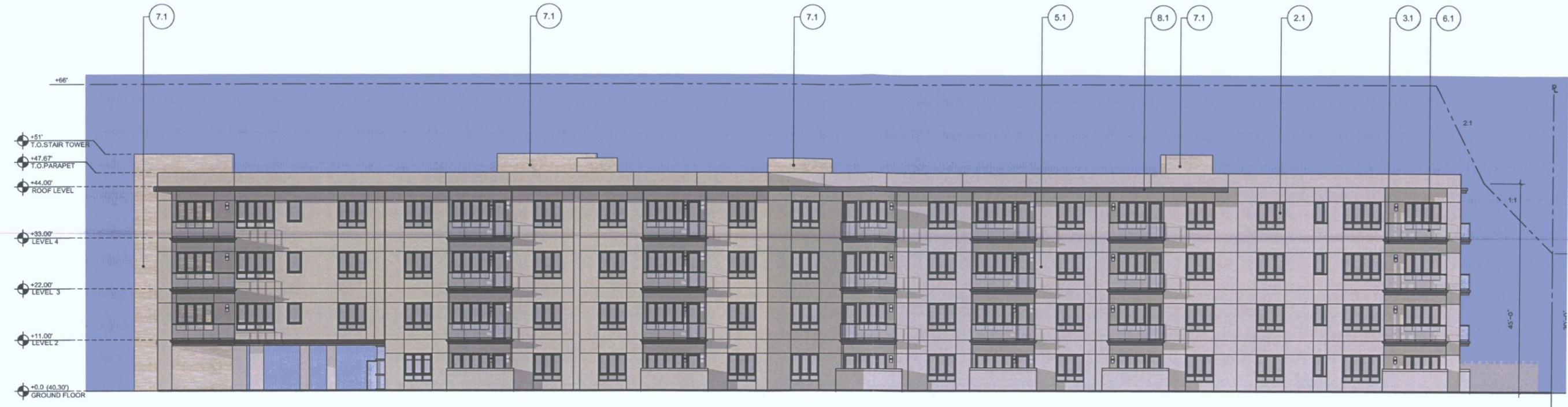


---

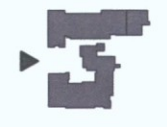
**Simulations**  
**Records Packet**  
**Photos**  
**All Graphics (no plans)**



**2 NORTH ELEVATION**  
A-202 SCALE: 3/32" = 1'-0"



**1 WEST ELEVATION**  
A-202 SCALE: 3/32" = 1'-0"



**HARLEY ELLIS DEVEREAUX**

601 South Figueroa Street  
Suite 500  
Los Angeles, California  
(213) 542.4500 (tel)  
(213) 542.4515 (fax)  
harleyellisdevereaux.com

Planning  
Architecture  
Engineering  
Interior Architecture  
Landscape  
Architecture  
Construction Services  
Copyright © 2014

Project 2014-0018-000  
Schematic Design Set  
December 29, 2014

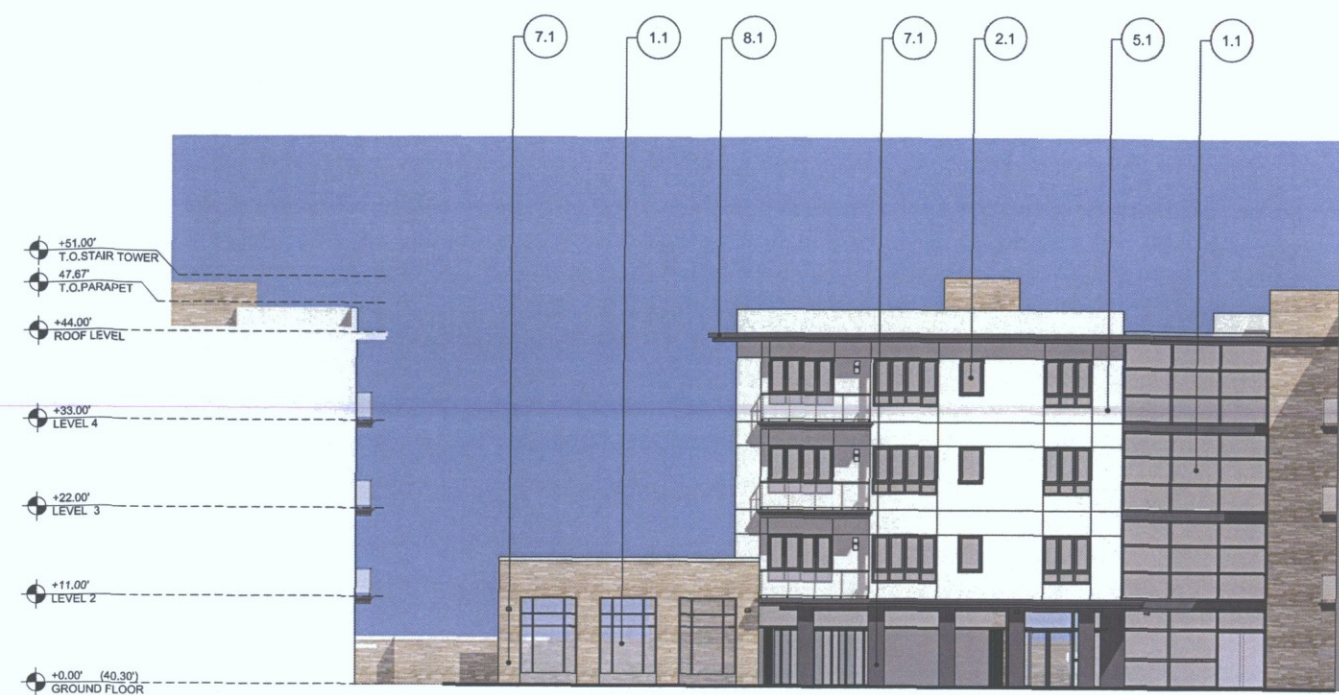
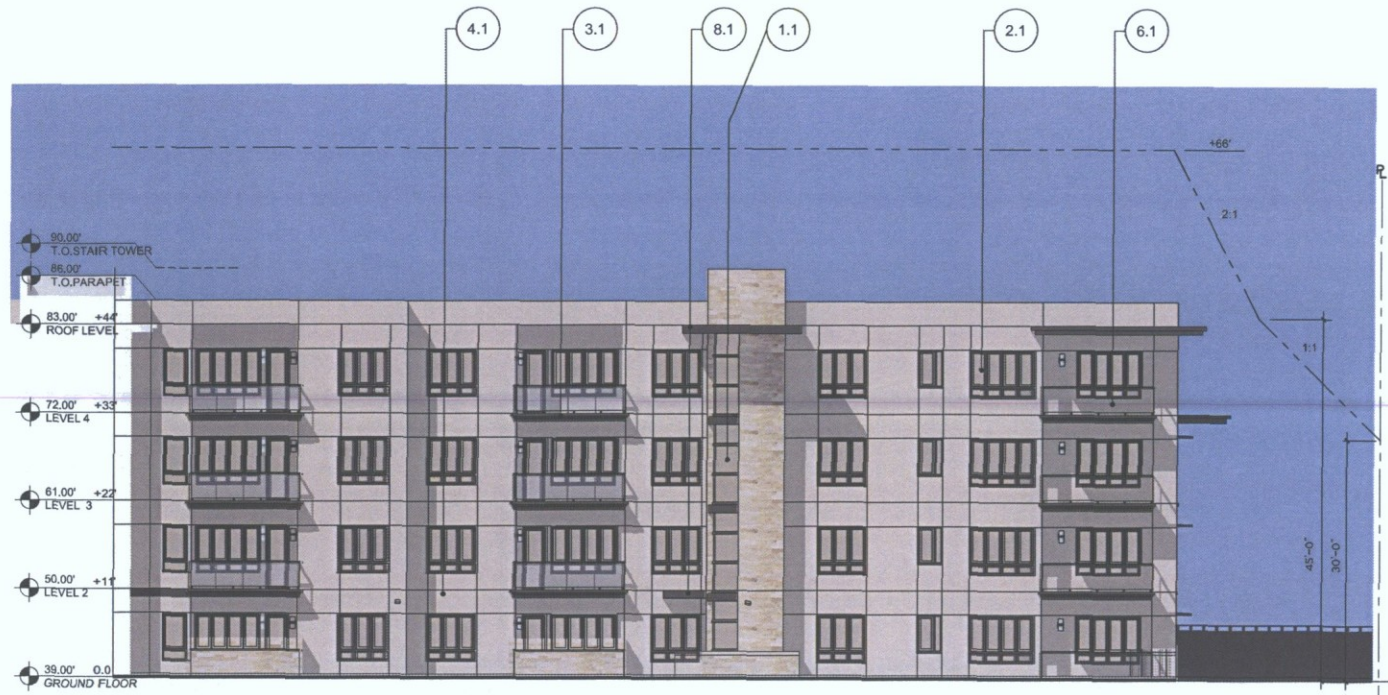
**51-DR-2014**  
**12/30/2014**

Title: ELEVATIONS  
NORTH &  
WEST

Sheet No. **A-202**

NOTE: FOR MATERIAL TYPES PLEASE CONSULT SHEET A-201.



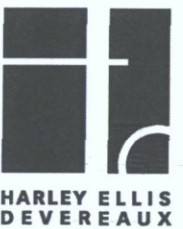


2 COURTYARD - NORTH ELEVATION (PHASE I)  
A-203 SCALE: 3/32" = 1'-0"

3 COURTYARD - WEST ELEVATION  
A-203 SCALE: 3/32" = 1'-0"



1 COURTYARD - SOUTH ELEVATION (PHASE II)  
A-203 SCALE: 3/32" = 1'-0"



**HARLEY ELLIS DEVEREAUX**

601 South Figueroa Street  
Suite 500  
Los Angeles, California 90017, USA  
(213) 542.4500 (tel)  
(213) 542.4515 (fax)  
harleyellisdevereaux.com

Planning  
Architecture  
Engineering  
Interior Architecture  
Landscape  
Architecture  
Construction Services  
Copyright © 2014

Project 2014-00018-000  
Schematic Design Set

December 29, 2014

**51-DR-2014**  
**12/30/2014**

Title: COURTYARD  
ELEVATIONS  
NORTH, SOUTH & WEST

NOTE: FOR MATERIAL TYPES PLEASE CONSULT SHEET A-201.



Sheet No. **A-203**



POWER AND CONTROL

UP LIGHTS LED

OVERVIEW

QZ

CC

FB

NP

PB

LC

VS

UP LIGHTS INCANDESCENT

OVERVIEW

CM

CR

LO

LR

MP

MU

RL

RS

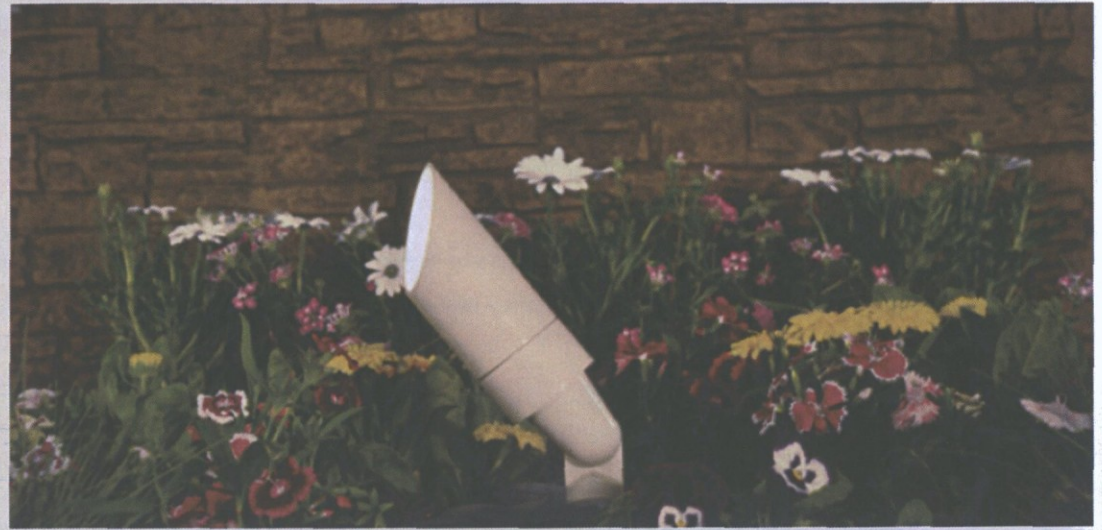
SI

PATH LIGHTS LED

WALL LIGHTS LED

DOWN LIGHTS LED

SPECIALTY LIGHTS LED



MU HALOGEN UP LIGHT

Lamp: Halogen MR-16  
Finishes: 9 Options  
Material: Aluminum  
Height: 7.5" / 19.05 cm  
Long Shield: 8.68" / 2.05 cm

PRODUCT SUPPORT

SHARE +

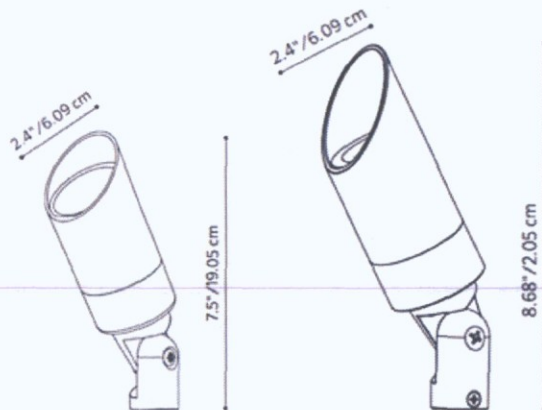
FEATURES

MODELS

SPECIFICATIONS

RESOURCES

MU DIMENSIONS



STIPULATION SET  
RETAIN FOR RECORDS  
APPROVED  
4-16-15  
DATE INITIALS

51-DR-2014  
2/25/15



POWER AND CONTROL

UP LIGHTS LED

PATH LIGHTS LED

WALL LIGHTS LED

OVERVIEW

CP

LF

MS

LM

PD

PO

MO

UN

WALL LIGHTS INCANDESCENT

DOWN LIGHTS LED

SPECIALTY LIGHTS LED



LM LED WALL LIGHT

LEDs: 2  
Finishes: 13 Options  
Material: Copper

PRODUCT SUPPORT

SHARE +

- FEATURES
- MODELS
- SPECIFICATIONS
- RESOURCES

LM SPEC CHART

Number of LEDs	2
Halogen Lumen Output Equivalent	20 Watt
Useful LED Life (L70)	50,000 hrs avg
Input Voltage	10 to 15V
VA Total (Use this number to size the transformer)	4.8
Watts Used	4.0
Lumens per Watt (Efficacy)	1.6
Max Lumens	6
CRI (Ra)	81.3

STIPULATION SET  
RETAIN FOR RECORDS  
APPROVED  
4-16-15 [Signature]  
DATE INITIALS



**KIM LIGHTING**

**L3**

**SL3 LED**

Site Lightforms

revision 7/28/14 • kl\_sl3led\_spec.pdf

Type:  
Job:  
Catalog number:

STIPULATION SET  
RETAIN FOR RECORDS  
APPROVED  
4-16-15  
DATE INITIALS

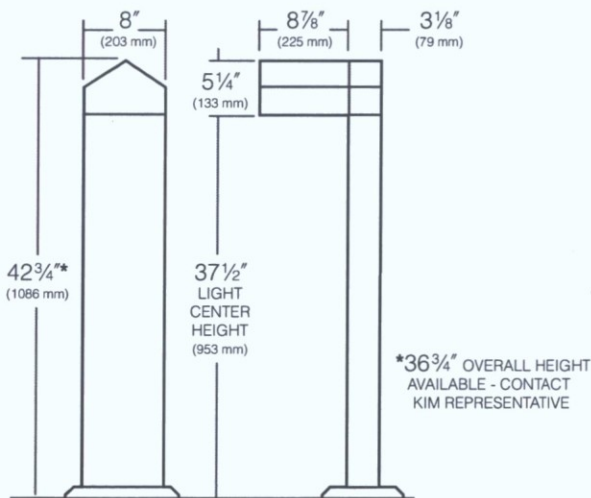
Approvals:

SL3 / / /  
Fixture Electrical Module Finish Options  
See page 2 See page 3

Date:  
Page: 1 of 4

### Specifications

**SL3 LED**  
Maximum weight: 39 lb



**Head:** One-piece cast, low-copper (<0.6% Cu) aluminum, 3/16" wall thickness with external reveal unifying head and shaft. Attachment to shaft is by four bolts concealed within the head.

**Shaft:** One-piece extruded aluminum with internal tracks for attaching head and base.

**Base:** One-piece cast, low-copper (<0.6% Cu) aluminum secured to shaft by four concealed stainless steel bolts.

**Lens:** Clear flat 1/8" thick tempered glass retained by two stainless steel brackets, and four stainless steel, hex socket cap screws, fully gasketed.

**LED Optical System:** A total of 27 mid power LED emitters configured in a rectangular array comprised together as a module. Two (2) modules for 18 version and four (4) modules for 36 version. Available in 580nm Amber, 3000K, 4200K and 5100K color temperatures.

**LED Driver:** Universal voltage from 120 to 277V with a ±10% tolerance. -40°F starting temperature. All drivers are Underwriters Laboratories recognized.

**Anchor Bolts:** Four 3/8" x 10" + 2" zinc plated L-hooks complete with leveling nuts, washers, couplings, rigid pressed board template and black stainless steel bolts.

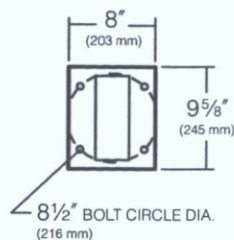
**Finish:** Each luminaire receives a fade and abrasion resistant, electrostatically applied, thermally cured, triglycidal isocyanurate (TGIC) polyester powdercoat finish. Standard colors include (BL) Black, (DB) Dark Bronze, (WH) White, (PS) Platinum Silver, (SG) Stealth Gray, (LG) Light Gray, and (CC) Custom Color (Include RAL#).

**Listed to:** UL 1598 Standard for Luminaires - UL 8750 Standard for Safety for Light Emitting Diode (LED) Equipment for use in Lighting Products and CSA C22.2#250.0 Luminaires. RoHS compliant. Meets Buy American provisions within ARRA.

**Warranty:** Kim Lighting warrants Bollard LED products sold by Kim Lighting to be free from defects in material and workmanship for (i) a period of five (5) years for metal parts, (ii) a period of five (5) years for exterior housing paint finish(s), (iii) a period of five (5) years for LED Light Engines and, (iv) a period of five (5) years for LED power components (driver, surge protector and LifeShield® device), from the date of sale of such goods to the buyer as specified in Kim Lighting shipment documents for each product.

**CAUTION:** Fixtures must be grounded in accordance with national, state and/or local electrical codes. Failure to do so may result in serious personal injury.

#### BASE PLAN SL3



HUBBELL LIGHTING, INC.

KIM LIGHTING RESERVES THE RIGHT TO CHANGE SPECIFICATIONS WITHOUT NOTICE.

Products Applications Information Search Tools Partners

Search by product #

Back to In-Ground  
Luminaires

Technical Information

- Specification Sheet
- Installation Instructions
- Catalog Spread

Submittal Drawings

- Download PDF
- Download DXF

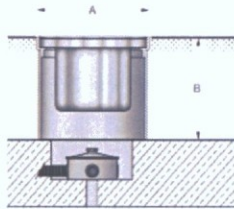
Photometry

- Photometric Summary
- Download IES File

Application Photos

Estimated Lead Time

View Product Family



In-grade adjustable w/ clear glass for high pressure loads

Designed for up lighting trees, flags, walls, columns, signage and other interior and exterior locations featuring low surface temperature lens.

Flush in-grade luminaires with adjustable lamp enclosure for symmetrical or asymmetrical light distributions. Clear tempered glass.

Integral 120V-277V electronic LED driver, 0-10V dimming.

LED color temperature is 4000K (for 3000K add suffix K3).

CSA certified to U.S. and Canadian standards.

Protection class: IP68

Finish: #4 brushed stainless steel.

	Lamp	B	T°C	A	B	C
7074LED	13.4W LED	16°	30°	8 1/4	8	

Accessories	Description
262	Round spread lens
263	Elliptical spread lens

© Copyright BEGA-US 2015 All rights reserved

STIPULATION SET  
RETAIN FOR RECORDS  
APPROVED

4-16-15  
DATE

INITIALS

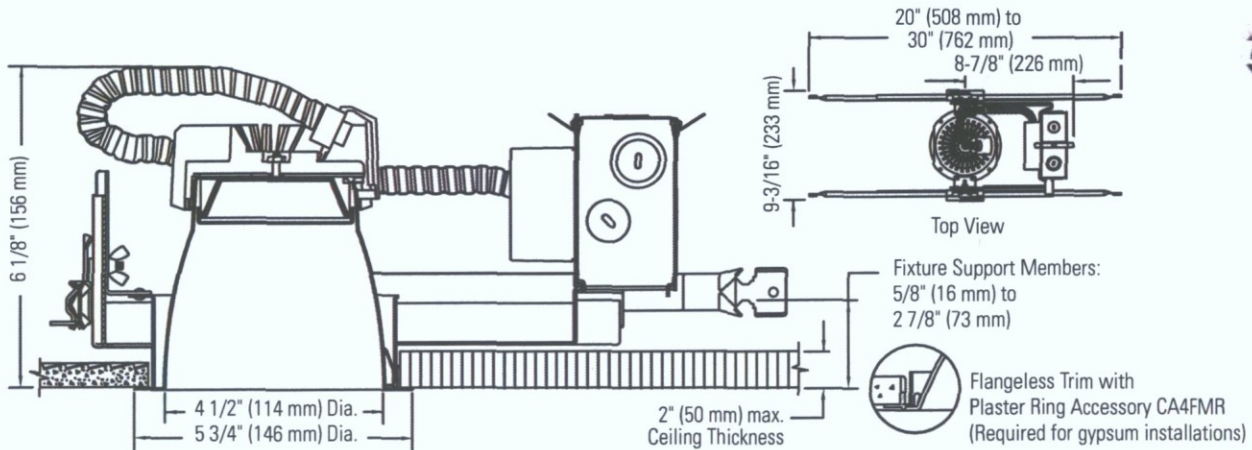
# L5 C4L10DL

## Calculite 4 1/2" LED downlight

Catalog number:

Notes:

Type:



### Ordering guide: Light engines

Light engine series	Style	Color temp	Reflector finish	Flange	Options
C4L10	DL (Downlight)	27K (2700K) 30K (3000K) 35K (3500K) 40K (4000K)	CL (Clear) CCL (Comfort clear) CCD (Comfort clear diffuse) CCZ (Champagne bronze) WH (Painted white)	W (Painted white) P (Aperture-matching/polished) FT (Flush-mount/flangeless) <sup>1</sup>	EM (Integral emergency test switch) <sup>2</sup>

Example: C4L10DL35KCCLWEM

<sup>1</sup>Accessory CA4FMR required for gypsum applications. Reflector flange is 1/4". New construction frame-in kits only.

<sup>2</sup>See LED-EM for details and restrictions.

### Ordering guide: Frame-in kits

Frame-in kit series	Installation options	Input voltage	Driver	Options
C4L10 (1000 lumen) C4L15 (1500 lumen)	N (New construction) R (Remodeler - 1000 lumen only)	1 (120V) 2 (277V)	Z10V (0-10V dimming) LD (Lutron driver - 1000 lumen only)	EM (Emergency - 1000 lumen only)
CUL10 (1000 lumen)	J (J-box mount retrofit) S (Screw-in base retrofit - 120V only)	1 (120V) 2 (277V)	Z10V (0-10V dimming) LD (Lutron driver)	

Example: C4L10N1Z10VEM

### Features

- Aperture:** 4 1/2" (114mm) I.D., 5 3/4" (146mm) O.D.
- Input wattage:** 20W (1000 lumen), 30W (15 lumen)
- Reflector cone:** Aluminum. Provides 50° cutoff to source & source image. Self-flanged.
- Depth (including frame-in kit):** 6 1/8" (156mm)
- Power connection:** Attaches to frame-in kit via push-in connector (on frame). Removable cover provides access.

### Technology

- LED board:** Array of high brightness royal blue LED's.
- Remote phosphor technology:** Remote phosphor technology provides increased efficiency and color consistency. Phosphor lens assembly positioned in front of LED array converts blue light to white. Color shift will not exceed +/- 100K over life.
- Optical mixing chamber:** Lightolier-specific mixing chamber redirects back-reflected light through aperture resulting in 20% increase in efficiency.
- Thermal management:** Heat sink and thermal design along with clean room assembly ensures specified performance.

### Technology (continued)

- Rated life:** Based on IESNA LM-80-2008 50,000 hrs at 70% lumen maintenance.
- Photometric performance:** Tested in accordance to IESNA LM-79-2008


### Options

- Dimming capability:** See LED-DIM specification sheet.
- Emergency capability (integral):** Add "EM" suffix. See LED-EM spec sheet.
- Emergency capability (inverter):** See LED-LMI specification sheet.

### Labels

- UL (suitable for wet locations), cUL, I.B.E.W.
- 5 year warranty

STIPULATION SET  
RETAIN FOR RECORDS  
APPROVED  
4-16-15  
DATE INITIALS  
PHILIPS  
LIGHTOLIER

<b>LNC SERIES</b>	Cat.#	Type <b>L7</b>	 <b>HUBBELL Outdoor Lighting</b>
	Job		

**SPECIFICATIONS**

**Intended Use:**

The compact LED LNC is designed for entry/perimeter illumination for safety, security and identity. Typical mounting height is up to 12 feet with 40ft fixture spacing (without acrylic diffuser) and 30ft spacing with acrylic diffuser installed. Photocontrol option is available to provide dusk-to-dawn control for additional energy savings.

**Construction:**

Decorative die-cast aluminum housing and door. Rugged design protects internal components and provides excellent thermal management for long life – 60,000 hours minimum LED life at L96 rating per IESNA TM-21-11. Powder paint finishes provide lasting appearance in outdoor environments.

**Optics/Electrical**

**LED:**

Drivers are 120-277V, 50/60Hz 5000K/70 CRI Type III and Type IV lenses provide wide lateral spread. 0-10V dimming 120-277V only.

- LNC5L – 5 LEDs, 12.6w, .11 amp max, 967 lumens, Type III only
- LNC7L – 7 LEDs, 16.4w, .14 amp max, 1389 lumens, Type III or IV
- LNC9L – 9 LEDs, 20.6w, .18 amp max, 1745 lumens, Type III or IV
- Minimum operating temperature is -40°C/-40°F

**Lenses:**

Full cut-off distribution; Ambient diffuser included, use for applications near entrances or locations where reduced brightness is desired.

**Installation:**

Quick mount adapter provides quick installation, designed for both recessed box or surface conduit wiring. Fits 4" square junction box.

**Listings:**

Listed and labeled to UL 1598 for wet locations, 25° C ambient environments. Some models meet DesignLights Consortium (DLC) qualifications, consult DLC website for more details: <http://www.designlights.org/QPL>

- IES Progress Award Winner - 2012

**Warranty:**

Five year limited warranty (for more information visit: <http://www.hubbelloutdoor.com/resources/warranty/>)

**PRODUCT IMAGE(S)**



LNC-5L



LNC-7L

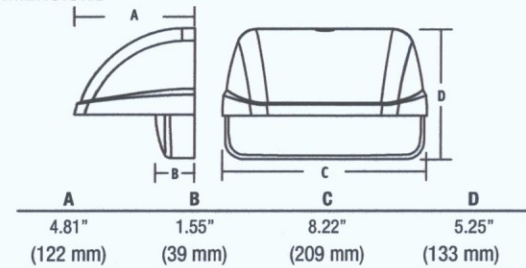


LNC-9L



With diffuser

**DIMENSIONS**



**SHIPPING INFORMATION**

Catalog Number	G.W(kg)/CTN	Carton Dimensions			Carton Qty. per Master Pack
		Length Inch (cm)	Width Inch (cm)	Height Inch (cm)	
LNC-5LU	9.6 (4.36)	14.5 (37)	9.6 (24.5)	6.8 (17.5)	2
LNC-7LU	9.6 (4.36)	14.5 (37)	9.6 (24.5)	6.8 (17.5)	2
LNC-9LU	9.6 (4.36)	14.5 (37)	9.6 (24.5)	6.8 (17.5)	2

**CERTIFICATIONS/LISTINGS**

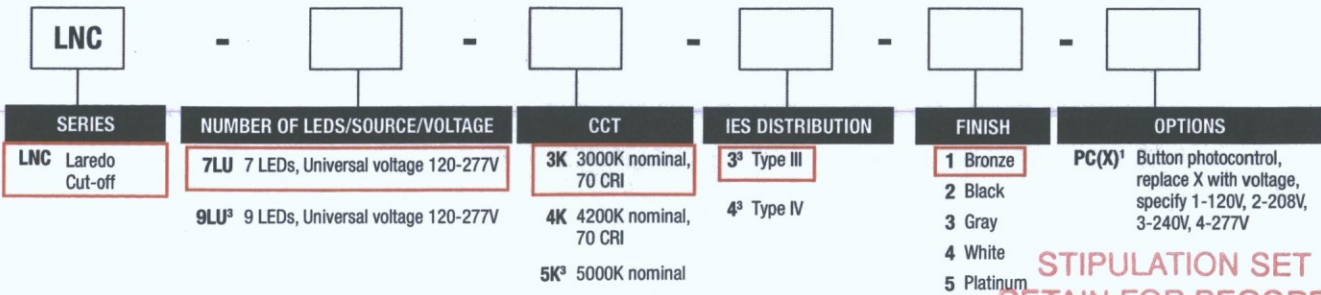


**ORDERING INFORMATION LNC-5L and LNC-7L/9L (Order tree below)**

CATALOG NUMBER	WATTAGE	NUMBER OF LEDS	VOLTAGE	LUMENS <sup>1</sup>	LIFE <sup>2</sup>	CCT	WEIGHT LBS. (KG)
LNC-5LU-5K	12.6w	5	120-277V	967	60,000hrs	5000k	4.0 (1.8)
LNC-5LU-5K-PC	12.6w	5	120V	967	60,000hrs	5000k	4.0 (1.8)

1 Acrylic diffuser accessory lumen output is 650 with increased uniformity in the Type III distribution  
 2 Projected per IESNA TM-21-11

**ORDERING EXAMPLE: LNC-9LU-5K-3-1-PC1**



1 When PC is ordered, input must match PC voltage  
 2 Amber LEDs only available on 7LU and 9LU configurations, 350 mA only  
 3 DesignLights Consortium (DLC) qualified 5/7/9 models 5K only

STIPULATION SET  
 RETAIN FOR RECORDS  
 APPROVED  
 4-16-5  
 DATE INITIALS



Hubbell Outdoor Lighting • 701 Millennium Boulevard • Greenville, SC 29607 • Phone: 864-678-1000  
 Due to our continued efforts to improve our products, product specifications are subject to change without notice.

© 2014 HUBBELL OUTDOOR LIGHTING, All Rights Reserved • For more information visit our website: [www.hubbelloutdoor.com](http://www.hubbelloutdoor.com) • Printed in USA

LAREDO/LNC-SPEC 4/14

## ELECTRICAL NARRATIVE

### 1.0 ELECTRICAL SYSTEMS

The electrical systems will meet all applicable codes, regulations and safety requirements, including those of the City of Scottsdale. They will include:

- Lighting: normal and emergency
- Power: 120/208V, 3-phase, 4-wire
- Fire alarm: fully automatic, addressable system

### 1.1 CODES AND STANDARDS

The electrical installation will comply with the following codes and standards:

- 2011 National Electric Code
- 2012 International Fire Code
- 2012 International Energy Conservation Code
- National Fire Protection Association NFPA 72, latest edition
- Illuminating Engineering Society of North America IESNA, latest edition
- Arizona Public Service "APS", latest edition

### 1.2 DESIGN CRITERIA

#### 1.2.1 SITE POWER DISTRIBUTION

The electrical service will be provided by Arizona Public Service (APS) underground 12,470 Volt, 3-phase distribution system. There will be a pad mount transformer located outside on the site property which will provide 120/208V power to an interior 3000 amps main switchboard. The transformer pad will be 100" x 102" and will require 10' in the front and 24" on the sides and back working clearance.

The primary electrical feed to the pad mounted transformer will require minimum of (3) 2" conduits with 24" minimum cover below the finish grade.

The secondary feed from pad mounted transformer to main switchboard will require minimum of (9) 4" schedule 80 PVC conduits with 36" minimum cover below the finish grade.

#### 1.2.2 BUILDING POWER SWITCHBOARD

Building main service will be 3000A, 120/208V solidly grounded, three-phase, four wire system. Main Switchboard will have full copper bussing and 100% rated main circuit breaker. The main Switchboard will feeds (1) 800A Distribution Board for Phase 1 Building with (3) 4" Conduit and (1) 1000A Distribution Board for Phase 2 Building with (3) 4" Conduit. Power will be distributed in the buildings as follows:

- 208V, 3-phase, 3-wire for large motor loads (over 2 HP).
- 120V, single phase for smaller motors and special equipment.
- 120V, single phase for receptacles, and very small motors (1/2 HP or smaller).
- 208V, single phase and 3-phase for small motors.
- 120V, single phase for lighting.

Main switchboards, distribution panelboards, and lighting control panels will be located in the main electrical room.

**1.2.3 LOAD CALCULATION**

Below is a summary of the preliminary load estimate for the condominium to be updated as the project progresses:

**TYPICAL RESIDENTIAL UNIT LOAD CALCULATION FOR 100A PANELBOARD**

<b>Unit Type A1</b>		
803 SFT @ 3VA	2,409	VA
Two Appliances Circuits	3,000	VA
Laundry Circuit	1,500	VA
Dishwasher	1,200	VA
Washer/Dryer	5,000	VA
Garbage Disposal	900	VA
Microwave	1,500	VA
<b>Subtotal</b>	<b>15,509</b>	<b>VA</b>
First 10KVA @ 100%	10,000	VA
Remaining @ 40%	2,204	VA
A/C Units	4,000	VA
<b>Total</b>	<b>16,204</b>	<b>VA</b>
	<b>78</b>	<b>A @ 208V</b>
<b>Panel Size</b>	<b>100</b>	<b>A</b>

**TYPICAL RESIDENTIAL UNIT LOAD CALCULATION FOR 125A PANELBOARD**

<b>Unit Type B13</b>		
1,529 SFT @ 3VA	4,587	VA
Three Appliances Circuits	4,500	VA
Laundry Circuit	1,500	VA
Dishwasher	1,200	VA
Washer/Dryer	5,000	VA
Garbage Disposal	900	VA
Microwave	1,500	VA
<b>Subtotal</b>	<b>19,187</b>	<b>VA</b>
First 10KVA @ 100%	10,000	VA
Remaining @ 40%	3,675	VA
A/C Units	4,500	VA
<b>Total</b>	<b>18,175</b>	<b>VA</b>
	<b>87</b>	<b>A @ 208V</b>
<b>Panel Size</b>	<b>125</b>	<b>A</b>

## Inspire on Earl - Scottsdale, Arizona

Deco Communities  
Electrical Basis of Design

- a. Units with square feet of less than or equal to 1000 will have 100 amp single phase, 3-wire panels.
- b. Units with square feet of larger than 1,100 will have 125 amp single phase 3-wire panels.

### 1.2.4 PRELIMINARY TOTAL RESIDENTIAL LOAD CALCULATION

PH-1 and PH-2 All Levels Residential Load				
Unit Type	# of Units	Load per Unit (VA)	Total Load	
A1	13	19,509	253,617	VA
B1	26	20,906	543,556	VA
B2	3	21,407	64,221	VA
B2C	3	21,143	63,429	VA
B3	6	23,216	139,296	VA
B3.a	8	23,687	189,496	VA
AL1	12	19,509	234,108	VA
BL1	16	20,927	334,832	VA
BL2	3	21,275	63,825	VA
BL3	7	23,687	165,809	VA
<b>Subtotals</b>	<b>97</b>	<b>Units</b>	<b>2,052,189</b>	<b>VA</b>
<b>23% Demand Factor (NEC Table 220.84)</b>			<b>472,003</b>	<b>VA</b>
<b>Total</b>			<b>472</b>	<b>KVA</b>
			<b>1,310</b>	<b>A</b>

### 1.2.5 PRELIMINARY TOTAL BUILDING LOAD CALCULATION

Estimated Load	
Residential Load	472 KVA
Parking Lighting & Exhaust @ 2.5 w/sq. ft	177 KVA
Corridor Areas @ 10 w/sq. ft	215 KVA
Lobby/Amenity @ 15 w/sq. ft	34 KVA
Fitness @ 18 w/sq. ft	18 KVA
(36) Toilet Exhaust (1/4HP)	25 KVA
Elevator #1 (30HP)	32 KVA
Elevator #2 (30HP)	32 KVA
Sump Pump #1 (5HP)	6 KVA
Sump Pump #2 (5HP)	6 KVA
Pool Equipment	15 KVA
<b>Subtotal</b>	<b>1,032 KVA</b>
	<b>2,867 A @ 208V</b>

#### **1.4 LIGHTING SYSTEM**

Lighting will be designed per IESNA standards. Efficient light source will be selected to minimize energy usage, while keeping lighting levels adequate for the task being performed in space. General lighting will be LED and fluorescent and will use LED, T8 and or T5 lamps with 80+ CRI and 3000K color temperature. Electronic ballast shall be energy saving high frequency electronic with low (<10%) THD. All LED fixtures shall comply with IES LM testing measurements and have minimum of 5 year warranty.

Mini inverters and or emergency battery packs will be used to provide 90 minutes of continuous power to emergency light fixtures.

##### **1.4.1. LIGHTING CONTROL**

Exterior lighting will be controlled by time switches and photocells. A Digital Addressable Lighting System will enable all lighting fixtures to be networked together thru a centralized and or local location.

#### **1.5 GROUNDING SYSTEM**

A central building grounding system shall be in compliance with article 250 of the NEC (NFPA 70) and will be provided in the main electrical room/s. All ground electrodes and ground buses from switchboards, transformers, and panel boards will be connected at a central ground bus in the main electrical room/s.

#### **1.6 FIRE ALARM SYSTEM**

A fully automatic addressable multiprocessor base fire detection system will be provided. The fire alarm devices throughout the building will consist of the following:

- Ceiling mounted smoke and heat detectors throughout the facility.
- Audio-visual alarm stations along all egress routes as required.
- Visual alarm stations in corridors and restrooms.
- Pull stations along egress routes.
- All devices will be addressable.

#### **1.7 ENERGY CONSERVATION**

For energy conservation, the following items will be considered:

- International Energy Conservation Code Regulations, as a guideline.
- Lower wattage fixtures with LED, T8 and T5 lamps.
- Dual technology occupancy sensors for lighting fixture controls.
- Electronic ballast with 10% or less total harmonic distortion.
- Dual switching, dimming systems, and day lighting control system where appropriate.

**End of Electrical Narrative**

Drive-over in-grade luminaires to illuminate ground surfaces

**Housing:** Constructed of .125" thick machined stainless steel welded to a stainless steel bottom mounting plate. Trim/Clamping ring is heavy, machined bronze.

**Enclosure:** Top enclosure is constructed of copper free die-cast aluminum alloy secured by two (2) captive socket head stainless steel screws. Clear, borosilicate focusing lens with molded one piece, high temperature silicone rubber gasket. Symmetrical reflector and internal lamp shield are included.

**Electrical:** 3.4 W LED luminaire on a 24 V DC circuit, 5 total system watts. Remote 24 V DC driver required. Standard LED color temperature is 3000K with a >80 CRI. Available in 4000K (>80 CRI); add suffix K4 to order. Inner housing pre-wired with ten (10) feet of 12 AWG wire and waterproof cable gland entry into housing. A separate weatherproof single gang wiring box for power supply must be provided (by contractor).

**Note:** Due to the dynamic nature of LED technology, LED luminaire data in this catalog is subject to change at the discretion of BEGA-US. For the most current technical data, please refer to [www.bega-us.com](http://www.bega-us.com).

**Finish:** Standard finish is an eight step process consisting of two coats of graphite gray high solids, UV stabilized polyurethane, one with light texture over a phosphate base. Custom colors are not available.

**UL listed for US and Canadian Standards, suitable for wet locations and vehicle drive over. Protection class: IP67.**

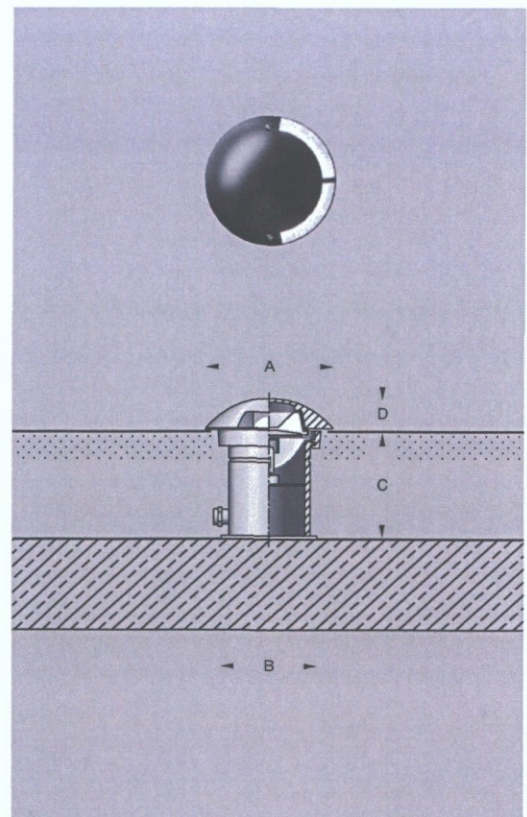
**Note:** A foundation and proper drainage must be supplied by the contractor. These luminaires are designed to bear pressure loads up to 2,200 lbs. from vehicles with pneumatic tires. The luminaires must not be used for traffic lanes where they are subject to horizontal pressure from vehicles braking, accelerating and changing direction.

**Weight:** 3.0 lbs.

**Luminaire Lumens:** 8

Tested in accordance with LM-79-08

Type: **Type 1**  
 BEGA Product:  
 Project:  
 Voltage:  
 Color:  
 Options:  
 Modified:



Single 180° port		A	B	C	D
Lamp					
8673 LED	3.4W LED 24V DC	4 3/4	3 1/2	3 3/4	1 1/8
Remote driver required					

Light building element · STAINLESS STEEL

**Post construction:** Seamless stainless steel tubing with a machined top insert and a machined base internally welded into an assembly.

**Lamp enclosure:** One piece, handblown three-ply opal glass. Fully gasketed using high temperature silicone rubber O-ring gaskets.

**Electrical:** Lampholders; 2G11 rated 75W, 250V. Ballasts are electronic, universal voltage 120V through 277 V.

**Anchor base:** Heavy gauge stainless steel with four (4) threaded stainless steel studs which accept BEGA #896 A anchorage kit (supplied).

**Finish:** #4 brushed stainless steel. Stainless steel requires regular cleaning and maintenance, much like household appliances, to maintain its luster and to prevent tarnishing or the appearance of rust like stains.

**U.L.** listed for US and Canadian Standards, suitable for wet locations. Protection class: IP 65.

Type:  
 BEGA Product:  
 Project:  
 Voltage:  
 Color:  
 Options:  
 Modified:

Type L2

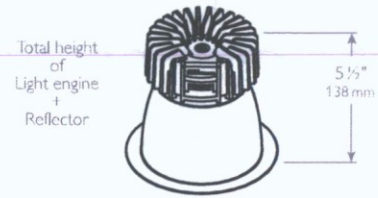


	Lamp	Lumen	A	B	C	Anchorage
<b>8999 P</b>	1 39W CF twin-4p	2900	4 1/4	94 1/2	8 7/8	<b>896 A</b>

# Blend performance & comfort in a downlight.

## C4L-DL-VB CALCULITE WHITE LED 4" ROUND DOWNLIGHT

Type L3



PHILIPS LIGHTOLIER, CALCULITE, PROFESSIONAL-GRADE  
DOWNLIGHTING, WHITE LED 4" ROUND APERTURE  
DOWNLIGHT, WIDE 500/1000/1500LM, C4L-DL-VB

Calculite LED 4" features an LED array of high brightness white light LEDs. The new LED boards in Calculite LED ensure a less than 2-step SDCM color variation between luminaires.

Complete product = Frame-in kit + Trim kit  
Lumen package for the frame-in kit must match the trim kit.

Project: \_\_\_\_\_  
 Location: \_\_\_\_\_  
 Catalog No: \_\_\_\_\_  
 Fixture Type: \_\_\_\_\_  
 Mfg: \_\_\_\_\_ Lamps: \_\_\_\_\_ Qty: \_\_\_\_\_  
 Notes: \_\_\_\_\_

### Frame-in kit

example: C4L05NUVBZ10V

Series	Lumens	Installation	Input voltage	Version	Dimming	Options <sup>1</sup>
<input type="checkbox"/>	<input type="checkbox"/>	<input type="checkbox"/>	<input type="checkbox"/>	<input type="checkbox"/> VB	<input type="checkbox"/>	<input type="checkbox"/>
<b>C4L</b> Calculite 4" LED round aperture	05 500lm	<b>N</b> New construction	<b>U</b> Universal (120/277V)	<b>VB</b> Version B	<b>Z10V</b> 0-10V dimming <b>LD</b> Lutron driver	<b>EM</b> Emergency <sup>3</sup> <b>LC</b> Chicago Plenum
	10 1000lm	<b>R</b> Remodeler				
<b>C4L</b> Calculite 4" LED round aperture (347v configurations)	15 1500lm	<b>N</b> New construction	<b>1</b> 120V	<b>VB</b> Version B	<b>Z10V</b> 0-10V dimming <b>LD</b> Lutron driver	<b>EM</b> Emergency <sup>3</sup> <b>LC</b> Chicago Plenum
		<b>R</b> Remodeler	<b>2</b> 277V			
<b>C4L</b> Calculite 4" LED round aperture (347v configurations)	05 500lm	<b>N</b> New construction	<b>1</b> 120V	<b>VB</b> Version B	<b>Z10V</b> 0-10V dimming	-347 347V <sup>4</sup>
	10 1000lm	<b>R</b> Remodeler				
<b>CUL</b> Calculite LED Universal aperture	05 500lm	<b>J</b> J-box mount retrofit	<b>U</b> Universal (120/277V)	<b>VB</b> Version B	<b>Z10V</b> 0-10V dimming	Existing wiring will determine if dimming is an option.
	10 1000lm	<b>S</b> Screw-in base retrofit				
	05 500lm	<b>S</b> Screw-in base retrofit	<b>1</b> 120V	<b>VB</b> Version B		Existing wiring will determine if dimming is an option.

### Trim kit

example: C4L10DL35KCCDPVB

Series	Lumens	Style	CCT	Reflector	Flange	Version <sup>3</sup>
<input type="checkbox"/> <b>C4L</b>	<input type="checkbox"/>	<input type="checkbox"/> <b>DL</b>	<input type="checkbox"/>	<input type="checkbox"/>	<input type="checkbox"/>	<input type="checkbox"/> <b>VB</b>
<b>C4L</b> Calculite 4" LED round aperture	05 500lm	<b>DL</b> Downlight	<b>27K</b> 2700K	<b>CL</b> Clear <b>CCL</b> Comfort clear <b>CCD</b> Comfort clear diffuse <b>CCZ</b> Champagne bronze <b>WH</b> White (painted)	<b>W</b> White (painted) <b>P</b> Polished (matches aperture) <b>FT</b> Flangeless (flush-mount) <sup>1,2</sup>	<b>VB</b> Version B
	10 1000-1500lm		<b>30K</b> 3000K <b>35K</b> 3500K <b>40K</b> 4000K			

1. Available for new construction (**N**) installation frame-in kits only.
  2. Accessory **CA4FMR** required for gypsum applications (minimal 1/4" reflector flange).
  3. Consult LED-EM spec sheet for **EM** option details and restrictions.
  4. Consult factory for availability of other 347V fixture configurations.
- NOTE:** See page 3 for Energy Star® compatibility.



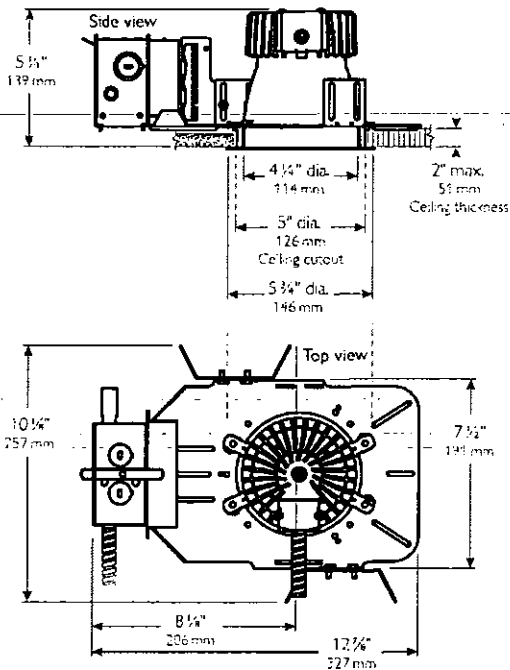
**CA4FMR**  
Flangeless trim with plaster ring accessory.  
(Recommended for gypsum installations)



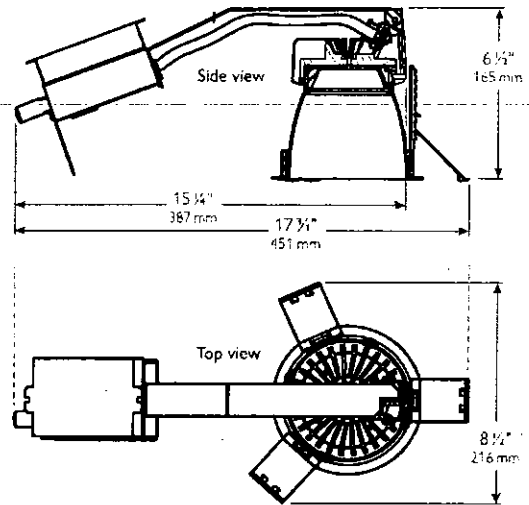
**PHILIPS  
LIGHTOLIER**

# C4L-DL-VB CALCULITE WHITE LED 4" ROUND DOWNLIGHT

## New Construction



## Remodeler



## Frame-in kits

### New construction

**Mounting frame:** Galvanized stamped steel for dry or plaster ceilings.

**Vertical adjustment:** Light engine adjusts in frame below ceilings up to 2" max.

**Mounting brackets:** Galvanized Steel.

Adjustable through aperture. Use 3/4" or 1 1/2" lathing channel, 1/2" EMT or optional mounting bars.

### Remodeler

**Compatibility:** Flanged downlight only.

**Power pack:** Swivel junction box for tight plenum spaces. Snap-off covers permits wiring from top.

**Spring holder:** Galvanized steel. Accepts up to 2 1/2" (64mm) ceiling thickness.

### Retrofit

**Compatibility:** Downlight only.

**Capability:** Converts 4 1/2" (115mm) or 6" (153mm)

Lightolier incandescent frame-in kit without additional wiring using existing Calculite E26 base.

**Socket cup support:** Spun steel.

Holds Calculite incandescent socket cup.

**Socket extender:** Phenolic E26 base.

Connect to existing lampholder.

## Quick-ship

Philips is committed to providing customers with the products they need when they need them.

**Service Smart**  
Two-day quick-ship

**Frame-in kits**  
C4L10NUVBZ10V  
C4L15N1VBZ10V  
C4L15N2VBZ10V

**Spec Smart**  
Two-week quick-ship

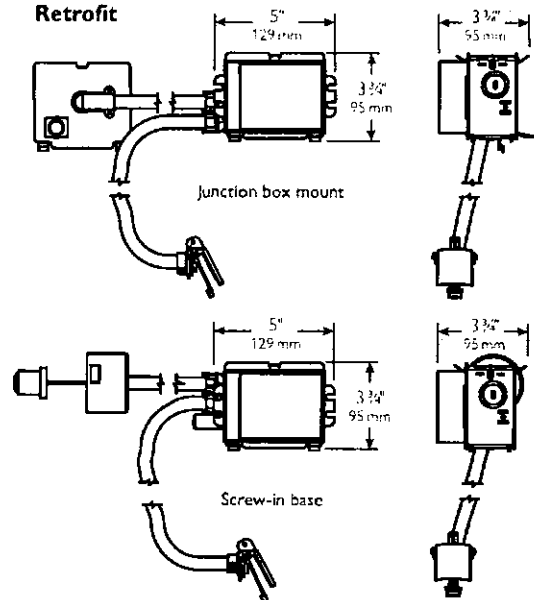
**Frame-in kits**  
C4L10NUVBLD  
C4L10NUVBZ10VEM  
C4L10NUVBZ10VLC  
C4L15N1VBZ10VEM  
C4L15N1VBZ10VLC  
C4L15N2VBZ10VEM

**Trim kits**  
None available

**Trim kits**  
C4L10DL30KCCLWVB  
C4L10DL35KCCLWVB

Quick-ship SKUs apply to the United States only.

## Retrofit

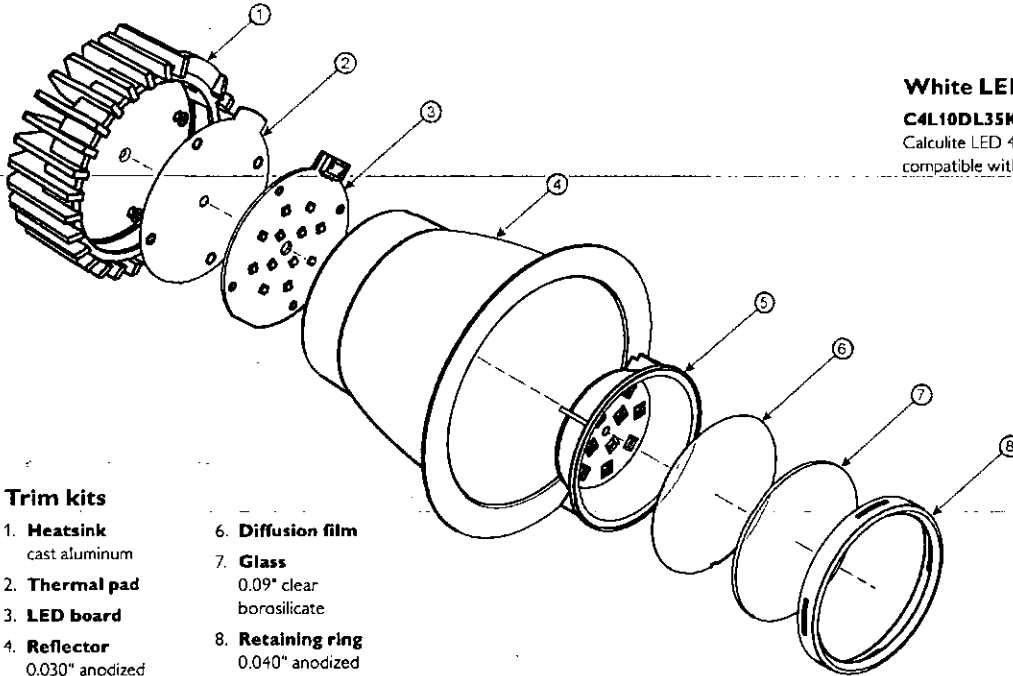


# C4L-DL-VB CALCULITE WHITE LED 4" ROUND DOWNLIGHT

## White LED 4"

### C4L10DL35KCCDPVB

Calculite LED 4" Trim kits are backwards compatible with all Calculite LED 4" Frame-in Kits.



### Trim kits

- |  |  |
|--|--|
| 1. <b>Heatsink</b><br>cast aluminum                        | 6. <b>Diffusion film</b>                             |
| 2. <b>Thermal pad</b>                                      | 7. <b>Glass</b><br>0.09" clear borosilicate          |
| 3. <b>LED board</b>  | 8. <b>Retaining ring</b><br>0.040" anodized aluminum |
| 4. <b>Reflector</b><br>0.030" anodized or painted aluminum |  |
| 5. <b>Mixing chamber</b><br>injection molded polycarbonate |  |

### Features

**Ceiling cutout:** 4" aperture; 5 1/8" (130mm) cutout.  
**Depth:** 5 1/4" (138mm) including light engine.  
**Power connection:** Attaches to light engine via push-in connector (on frame). Removable cover provides access.  
**Junction box:** Allows inspection from below.  
**Thermal protector:** Meets NEC & UL requirements. Do not install insulation above or within 3" of luminaire.  
**Thermal Management:** Heat sink and thermal design along with the clean room assembly process ensures specified performance levels are maintained.

### Options and accessories

**Dimming capability:** 0-10V or Lutron dimming. See LED-DIM specification sheet.  
**Emergency capability:** Inverter; See LED-LMI specification sheet. Integral (4, 6, & 7 inch); See LED-EM spec sheet (add "EM" suffix).  
**Sloped ceilings:** Compatible with slope ceiling adaptors. See specification sheet SCA. Round apertures require SCAHID accessory.

### Energy Star®

All new construction (N) frame-in and trim kit configurations are Energy Star certified except for the following.  
**Frame-in Kits:** Universal voltage configurations used in 277V applications; C4L05NUVBZ10V, C4L05NUVBLD, C4L10NUVBZ10V.  
**Trim Kits:** Champagne bronze reflector finish configurations; C4L05DL-KCCZ..., C4L10DL-KCCZ...  
 All EM option configurations are NOT Energy Star certified.

### Electrical

**Electronic power supply:** 120 or 277V, 50/60Hz, enclosed, overload and short circuit protected, thermal regulation to protect against overheating, sound rating, "A", -20°C minimum starting temperature, 35°C maximum ambient environment.  
**Rated life:** 60,000 hrs at 70% lumen maintenance based on IES LM-80-08 and TM-21-11.

### Labels

cULus, I.B.E.W.  
 Suitable for wet locations.  
 5 year warranty.  
 Energy Star certified (see above for exclusions).

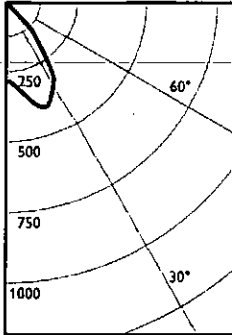
Frame-in kit Electrical specifications	Input volts	Input freq.	Input current	LED drive current	Input power*	LED power	THD factor	Power factor
<b>C4L05_VBZ10V</b> 500lm w/0-10V dimming	120V	50/60Hz	0.07A	350mA	8W	6W	<20%	>0.9
	277V	50/60Hz	0.04A	350mA	8W	6W	<20%	>0.7
<b>C4L10_VBZ10V</b> 1000lm w/0-10V dimming	120V	50/60Hz	0.12A	350mA	14W	11W	<20%	>0.9
	277V	50/60Hz	0.62A	350mA	14W	11W	<20%	>0.8
<b>C4L15_VBZ10V</b> 1500lm w/0-10V dimming	120V	50/60Hz	0.18A	520mA	23W	17W	<20%	>0.9
	277V	50/60Hz	0.09A	520mA	24W	17W	<20%	>0.9

\* +/- 5%

# C4L-DL-VB CALCULITE WHITE LED 4" ROUND DOWNLIGHT

## 8W LED, 3500K, 500 lumen

Candela Curve



Frame: **C4L05NUVBZ10V**  
Trim: **C4L05DL35KCLWVB**  
CCT: 3500K  
Output lumens: 533 lms  
Input watts: 8.3 W  
Efficacy: 64.2 lm/w  
CRI: 80 min  
Spacing Crit.: 1.4  
Report no.: F31434

Zonal summary

Zone	Lumens	%Luminaire
0-30	307	57.6%
0-40	470	88.2%
0-60	531	99.6%
0-90	533	100.0%

Angle	Mean CP	Lumens
0	283	
5	292	29
10	324	
15	367	104
20	399	
25	379	173
30	342	
35	271	163
40	166	
45	77	59
50	7	
55	2	2
60	1	
65	1	1
70	0	
75	0	0
80	0	
85	0	0
90	0	

Single unit data

Height to lighted plane	Initial center beam foot-candles	Beam diameter (ft)*
5'	11	7.0'
6'	8	8.4'
7'	6	9.8'
8'	4	11.2'
9'	3	12.6'

\* Beam diameter is where foot-candles drop to 50% of maximum.

Multiple unit data - RCR 2

Spacing on center	Initial center beam foot-candles	Watts per sq. ft.
5'	24.0	0.37
6'	15.7	0.24
7'	11.2	0.17
8'	9.4	0.14
9'	7.5	0.11

38'x38'x10' Room, Workplane 2 1/2' above floor, 80/50/20% Reflectances

Finish Adjust. factors

CL = 100%
CCL = 95%
CCD = 87%
CCZ = 63%
WH = 87%

CCT Adjust. factors

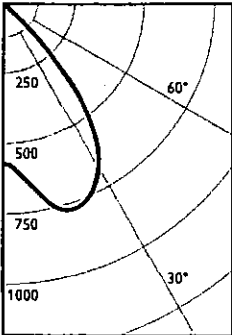
4000K = 103%
3500K = 100%
3000K = 97%
2700K = 87%

Coefficients of utilization

Ceiling	80%					70%					50%					30%					0%
	70	50	30	10	50	10	50	10	50	10	50	10	50	10	50	10	50	10			
RCR	Zonal cavity method - Effective floor reflectance = 20%																				
Room Cavity Ratio	0	119	119	119	119	116	116	111	111	106	106	100	100	106	106	100	100	97	93		
1	113	110	107	105	108	103	104	100	100	97	90	94	89	85	85	81	74	71	78		
2	107	102	97	94	100	93	97	90	82	87	81	78	78	78	78	78	78	78	78		
3	101	94	88	84	92	83	90	82	87	81	74	71	71	71	71	71	71	71	71		
4	95	87	81	76	85	75	83	75	81	74	71	71	71	71	71	71	71	71	71		
5	89	80	74	69	79	69	77	68	76	67	65	65	65	65	65	65	65	65	65		
6	84	74	68	63	73	63	72	62	70	62	60	60	60	60	60	60	60	60	60		
7	79	69	62	58	68	58	67	57	66	57	55	55	55	55	55	55	55	55	55		
8	75	64	58	53	64	53	62	53	61	52	51	51	51	51	51	51	51	51	51		
9	70	60	53	49	59	49	58	49	57	48	47	47	47	47	47	47	47	47	47		
10	67	56	49	45	55	45	55	45	54	45	43	43	43	43	43	43	43	43	43		

## 15W LED, 3500K, 1000 lumen

Candela Curve



Frame: **C4L10NUVBZ10V**  
Trim: **C4L10DL35KCLWVB**  
CCT: 3500K  
Output lumens: 1078 lms  
Input watts: 14.6 W  
Efficacy: 73.8 lm/w  
CRI: 80 min  
Spacing Crit.: 1.4  
Report no.: F31435

Zonal summary

Zone	Lumens	%Luminaire
0-30	612	56.8%
0-40	944	87.6%
0-60	1076	99.8%
0-90	1078	100.0%

Angle	Mean CP	Lumens
0	575	
5	604	61
10	679	
15	755	212
20	774	
25	744	339
30	671	
35	550	333
40	360	
45	161	126
50	15	
55	5	5
60	3	
65	2	2
70	1	
75	1	1
80	0	
85	0	0
90	0	

Single unit data

Height to lighted plane	Initial center beam foot-candles	Beam diameter (ft)*
5'	23	7.0'
6'	16	8.4'
7'	12	9.8'
8'	9	11.2'
9'	7	12.6'

\* Beam diameter is where foot-candles drop to 50% of maximum.

Multiple unit data - RCR 2

Spacing on center	Initial center beam foot-candles	Watts per sq. ft.
5'	48.5	0.65
6'	31.8	0.42
7'	22.7	0.30
8'	18.9	0.25
9'	15.2	0.20

38'x38'x10' Room, Workplane 2 1/2' above floor, 80/50/20% Reflectances

Finish Adjust. factors

CL = 100%
CCL = 95%
CCD = 87%
CCZ = 63%
WH = 87%

CCT Adjust. factors

4000K = 103%
3500K = 100%
3000K = 97%
2700K = 87%

Coefficients of utilization

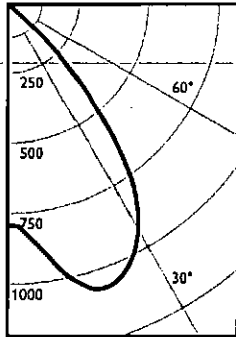
Ceiling	80%					70%					50%					30%					0%
	70	50	30	10	50	10	50	10	50	10	50	10	50	10	50	10	50	10			
RCR	Zonal cavity method - Effective floor reflectance = 20%																				
Room Cavity Ratio	0	119	119	119	119	116	116	111	111	106	106	100	100	106	106	100	100	97	92		
1	113	110	107	105	108	103	104	100	100	97	90	94	89	85	85	81	74	71	78		
2	107	101	97	93	100	92	96	90	93	88	85	85	85	85	85	85	85	85	85		
3	101	94	88	84	92	83	90	82	87	80	78	78	78	78	78	78	78	78	78		
4	95	86	80	76	85	75	83	74	81	73	71	71	71	71	71	71	71	71	71		
5	89	80	74	69	79	69	77	68	75	67	65	65	65	65	65	65	65	65	65		
6	84	74	67	63	73	63	72	62	70	62	60	60	60	60	60	60	60	60	60		
7	79	69	62	58	68	58	67	57	66	57	55	55	55	55	55	55	55	55	55		
8	75	64	57	53	63	53	62	53	61	52	51	51	51	51	51	51	51	51	51		
9	70	60	53	49	59	49	58	49	57	48	47	47	47	47	47	47	47	47	47		
10	66	56	49	45	55	45	54	45	54	45	43	43	43	43	43	43	43	43	43		

1. Correlated Color Temperature within specs as defined in ANSI/NEMA/ANSI C78.377-2008: Specifications for the Chromaticity of Solid State Lighting Products.  
2. Wattage controlled to within 5%.  
3. Tested using absolute photometry as specified in LM79: IESNA Approved Method for the Electrical and Photometric Measurements of Solid-State Lighting Products.

# C4L-DL-VB CALCULITE WHITE LED 4" ROUND DOWNLIGHT

## 23W LED, 3500K, 1500 lumen

### Candela Curve



Frame: **C4L15N1VBZ10V**  
Trim: **C4L10DL35KCLWVB**

CCT: 3500K  
Output lumens: 1492 lms  
Input watts: 22.5 W  
Efficacy: 66.3 lm/w  
CRI: 80 min  
Spacing Crlc.: 1.4  
Report no: F31436

### Zonal summary

Zone	Lumens	%Luminaire
0-30	845	56.6%
0-40	1305	87.5%
0-60	1488	99.7%
0-90	1492	100.0%

Angle	Mean CP	Lumens
0	797	
5	838	85
10	940	
15	1044	293
20	1071	
25	1030	468
30	930	
35	764	460
40	499	
45	228	175
50	21	
55	7	8
60	4	
65	2	2
70	1	
75	1	1
80	0	
85	0	0
90	0	

### Single unit data

Height to lighted plane	Initial center beam foot-candles	Beam diameter (ft)*
5'	32	7.0
6'	22	8.4
7'	16	9.8
8'	12	11.2
9'	10	12.6

\* Beam diameter is where foot-candles drop to 50% of maximum.

### Multiple unit data - RCR 2

Spacing on center	Initial center beam foot-candles	Watts per sq. ft.
5'	67.1	1.00
6'	44.0	0.65
7'	31.5	0.47
8'	26.2	0.39
9'	21.0	0.31

38'x38'x10' Room, Workplane 2 1/2' above floor, 80/50/20% Reflectances

### Finish Adjust. factors

CL = 100%  
CCL = 95%  
GCD = 87%  
CCZ = 63%  
WH = 87%

### CCT Adjust. factors

4000K = 103%  
3500K = 100%  
3000K = 97%  
2700K = 87%

### Coefficients of utilization

	80%				70%				50%				30%				0%
	70	50	30	10	50	10	50	10	50	10	50	10	50	10	0		
RCR	Zonal cavity method - Effective floor reflectance = 20%																
Room Cavity Ratio	0	119	119	119	119	116	116	111	111	106	106	100	100	100	100		
1	113	110	107	105	108	103	104	100	100	97	97	92	92	92	92		
2	107	101	97	93	100	92	96	90	93	88	85	85	85	85	85		
3	101	94	88	84	92	83	90	82	87	80	78	78	78	78	78		
4	95	86	80	76	85	75	83	74	81	73	71	71	71	71	71		
5	89	80	74	69	79	68	77	68	75	67	65	65	65	65	65		
6	84	74	67	63	73	63	72	62	70	62	60	60	60	60	60		
7	79	69	62	57	68	57	67	57	65	57	55	55	55	55	55		
8	74	64	57	53	63	53	62	52	61	52	50	50	50	50	50		
9	70	60	53	49	59	49	58	48	57	48	47	47	47	47	47		
10	66	56	49	45	55	45	54	45	54	45	43	43	43	43	43		

1. Correlated Color Temperature within specs as defined in ANSI\_NEMA\_ANSI C78.377-2008: Specifications for the Chromaticity of Solid State Lighting Products.
2. Wattage controlled to within 5%.
3. Tested using absolute photometry as specified in LM79: IESNA Approved Method for the Electrical and Photometric Measurements of Solid-State Lighting Products.



© 2014 Koninklijke Philips N.V. All rights reserved.  
Specifications are subject to change without notice.  
www.philips.com/luminaires

C4L-DL-VB 09/14 page 5 of 5

Philips Lighting  
North America Corporation  
200 Franklin Square Drive  
Somerset, NJ 08873  
Phone: 855-486-2216

Philips Lighting Company  
281 Hillmount Road  
Markham ON, Canada L6C 2S3  
Phone: 800-668-9008

LED drive-over in-grade aimable floodlights for high-pressure loads

**Outer housing:** Constructed of high tensile strength stainless steel.

**Inner housing:** Constructed of high tensile strength, cast stainless steel. Trim ring is heavy gauge, machined stainless steel secured to inner housing with stainless steel fasteners threaded into stainless steel threads. Tempered clear safety glass is 1/2" thick and machined flush to trim ring. Weather tight operation achieved through the use of molded high temperature silicone gasket. Inner housing fits into outer housing to be flush with finished surface.

**Adjustable optical assembly:** Consists of an anodized aluminum reflector and tempered crystal glass lens. Spread lenses and concentric ring louvers may be added as available options. Precise aiming is achieved by adjusting reflector assembly 180° horizontal and up to 30° vertical in 5° increments and locking in place with internal set screw.

**Electrical:** 13.4W LED luminaire, 15.5 total system watts, -30°C start temperature. Integral 120V through 277V electronic LED driver, 0-10V dimming. LED module(s) are available from factory for easy replacement. Standard LED color temperature is 4000K with a >80 CRI. Available in 3000K (>80 CRI); add suffix 3K to order. Inner housing pre-wired with nine (9) feet of waterproof cable, cable clamp, and waterproof cable gland entry into housing. A separate waterproof wiring box for power supply must be provided (by contractor)

**Note:** LEDs supplied with luminaire. Due to the dynamic nature of LED technology, LED luminaire data on this sheet is subject to change at the discretion of BEGA-US. For the most current technical data, please refer to [www.bega-us.com](http://www.bega-us.com).

**Finish:** Machined #4 stainless steel. Custom colors are not available.

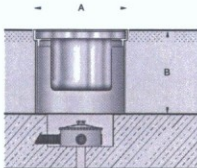
**Temperature caution:** The column "T" in this chart indicates the temperature in degrees Celsius which is reached on the center of the glass surface during operation. Surface temperatures are for exterior applications, for interior applications add 10° C to temperatures shown.

**Note:** A foundation and proper drainage must be supplied by the customer. These luminaires are designed to bear pressure loads up to 11,000 lbs. from vehicles with pneumatic tires. The luminaires must not be used for traffic lanes where they are subject to horizontal pressure from vehicles braking, accelerating and changing direction

**CSA** certified to U.S. and Canadian standards, suitable for wet locations. Protection class IP68 10m

**Weight:** 16.3 lbs.

Luminaire Lumens: 544



Adjustable floodlights · clear safety glass

Lamp	β	T	A	B	262	263
7074 LED 13.4W	16°	30°	8 1/4	8		

Diffuser lenses  Wide beam  Flat beam β = Beam angle

Type: **Type L4**  
 BEGA Product:  
 Project:  
 Voltage:  
 Color:  
 Options:  
 Modified:



**Recessed wall luminaire  
with asymmetrical distribution**

**Housing:** Die cast aluminum with integral wiring compartment. Die castings are marine grade, copper free ( $\leq 0.3\%$  copper content) A360.0 aluminum alloy.

**Enclosure:** One piece die cast aluminum faceplate with stepped baffle, 1/4" thick, clear tempered glass. Faceplate is secured by four (4) flush socket head stainless steel captive screws threaded into stainless steel inserts in the housing casting. Continuous high temperature O-ring gasket for weather tight operation.

**Electrical:** 26W LED luminaire, 32 total system watts, -20°C start temperature. Integral 120V through 277V electronic LED driver, 0-10V dimming. LED module(s) are available from factory for easy replacement. Standard LED color temperature is 3000K with an 85 CRI. Available in 4000K (85 CRI); add suffix K4 to order. Two (2) 7/8" knockouts provided for 1/2" conduit.

**Note:** LEDs supplied with luminaire. Due to the dynamic nature of LED technology, LED luminaire data on this sheet is subject to change at the discretion of BEGA-US. For the most current technical data, please refer to [www.bega-us.com](http://www.bega-us.com).

**Finish:** All BEGA standard finishes are polyester powder coat with minimum 3 mil thickness. Available in four standard BEGA colors: Black (BLK); White (WHT); Bronze (BRZ); Silver (SLV). To specify, add appropriate suffix to catalog number. Custom colors supplied on special order.

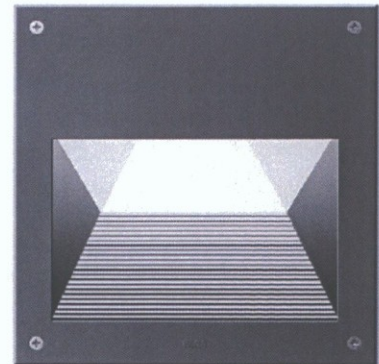
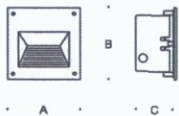
**CSA** certified to U.S. and Canadian standards, suitable for wet locations. Protection class IP65

**Weight:** 5.5 lbs.

**Luminaire Lumens:** 954

Tested in accordance with LM-79-08

Type: **Type L5**  
 BEGA Product:  
 Project:  
 Voltage:  
 Color:  
 Options:  
 Modified:



Lamp	A	B	C	CPC
2263 LED ADA 26W LED	9 7/8	9 7/8	5 3/8	C524

**LED ARCHITECTURAL  
FACADE LIGHTING**

**Type L6  
MASQUE-LED**

WHITE LIGHT, STATIC COLORS & RGB COLOR CHANGING



SPECIFICATION																																																																																	
	<b>BEAM ANGLE</b> 7°, 15°, 30°, 45°, 100°, 10° X 60° = HSL																																																																																
	<b>COLOR TEMPERATURE &amp; COLOR RANGE</b> 2700 K, 3500 K, 4000 K, Static Red, Green, Blue, Amber, RGBW, RGB																																																																																
Output	<b>LUMENS &amp; EFFICACY (LM/W)</b>																																																																																
	<b>WHITE LIGHT (4000K)</b>																																																																																
	<table border="1"> <thead> <tr> <th>WATTAGE</th> <th>OPTICS</th> <th>LUMENS</th> <th>EFFICACY (lm/W)</th> <th>PEAK CANDELA</th> </tr> </thead> <tbody> <tr><td>30W</td><td>7°</td><td>2325 lm</td><td>63.69 lm/W</td><td>107,338 cd/m<sup>2</sup></td></tr> <tr><td>30W</td><td>15°</td><td>2064 lm</td><td>56.5 lm/W</td><td>33,310 cd/m<sup>2</sup></td></tr> <tr><td>30W</td><td>30°</td><td>2190 lm</td><td>60 lm/W</td><td>9,672 cd/m<sup>2</sup></td></tr> <tr><td>30W</td><td>45°</td><td>2131 lm</td><td>58.3 lm/W</td><td>3,812 cd/m<sup>2</sup></td></tr> <tr><td>30W</td><td>HSL</td><td>2052 lm</td><td>56.2 lm/W</td><td>8,408 cd/m<sup>2</sup></td></tr> <tr><td>50W</td><td>7°</td><td>3280 lm</td><td>58.9 lm/W</td><td>160,295 cd/m<sup>2</sup></td></tr> <tr><td>50W</td><td>15°</td><td>2912 lm</td><td>52.37 lm/W</td><td>47,005 cd/m<sup>2</sup></td></tr> <tr><td>50W</td><td>30°</td><td>3002 lm</td><td>53.99 lm/W</td><td>13,257 cd/m<sup>2</sup></td></tr> <tr style="border: 2px solid red;"><td>50W</td><td>45°</td><td>2727 lm</td><td>49 lm/W</td><td>5,374 cd/m<sup>2</sup></td></tr> <tr><td>50W</td><td>HSL</td><td>3167 lm</td><td>56.9 lm/W</td><td>12,973 cd/m<sup>2</sup></td></tr> <tr><td>120W</td><td>7°</td><td>7954 lm</td><td>63.17 lm/W</td><td>353,362 cd/m<sup>2</sup></td></tr> <tr><td>120W</td><td>15°</td><td>6885 lm</td><td>54.44 lm/W</td><td>111,131 cd/m<sup>2</sup></td></tr> <tr><td>120W</td><td>30°</td><td>7306 lm</td><td>58.03 lm/W</td><td>32,270 cd/m<sup>2</sup></td></tr> <tr><td>120W</td><td>45°</td><td>7111 lm</td><td>56.21 lm/W</td><td>12,720 cd/m<sup>2</sup></td></tr> <tr><td>120W</td><td>HSL</td><td>7145 lm</td><td>56.4 lm/W</td><td>29,299 cd/m<sup>2</sup></td></tr> </tbody> </table>	WATTAGE	OPTICS	LUMENS	EFFICACY (lm/W)	PEAK CANDELA	30W	7°	2325 lm	63.69 lm/W	107,338 cd/m <sup>2</sup>	30W	15°	2064 lm	56.5 lm/W	33,310 cd/m <sup>2</sup>	30W	30°	2190 lm	60 lm/W	9,672 cd/m <sup>2</sup>	30W	45°	2131 lm	58.3 lm/W	3,812 cd/m <sup>2</sup>	30W	HSL	2052 lm	56.2 lm/W	8,408 cd/m <sup>2</sup>	50W	7°	3280 lm	58.9 lm/W	160,295 cd/m <sup>2</sup>	50W	15°	2912 lm	52.37 lm/W	47,005 cd/m <sup>2</sup>	50W	30°	3002 lm	53.99 lm/W	13,257 cd/m <sup>2</sup>	50W	45°	2727 lm	49 lm/W	5,374 cd/m <sup>2</sup>	50W	HSL	3167 lm	56.9 lm/W	12,973 cd/m <sup>2</sup>	120W	7°	7954 lm	63.17 lm/W	353,362 cd/m <sup>2</sup>	120W	15°	6885 lm	54.44 lm/W	111,131 cd/m <sup>2</sup>	120W	30°	7306 lm	58.03 lm/W	32,270 cd/m <sup>2</sup>	120W	45°	7111 lm	56.21 lm/W	12,720 cd/m <sup>2</sup>	120W	HSL	7145 lm	56.4 lm/W	29,299 cd/m <sup>2</sup>
	WATTAGE	OPTICS	LUMENS	EFFICACY (lm/W)	PEAK CANDELA																																																																												
	30W	7°	2325 lm	63.69 lm/W	107,338 cd/m <sup>2</sup>																																																																												
	30W	15°	2064 lm	56.5 lm/W	33,310 cd/m <sup>2</sup>																																																																												
	30W	30°	2190 lm	60 lm/W	9,672 cd/m <sup>2</sup>																																																																												
	30W	45°	2131 lm	58.3 lm/W	3,812 cd/m <sup>2</sup>																																																																												
	30W	HSL	2052 lm	56.2 lm/W	8,408 cd/m <sup>2</sup>																																																																												
	50W	7°	3280 lm	58.9 lm/W	160,295 cd/m <sup>2</sup>																																																																												
	50W	15°	2912 lm	52.37 lm/W	47,005 cd/m <sup>2</sup>																																																																												
	50W	30°	3002 lm	53.99 lm/W	13,257 cd/m <sup>2</sup>																																																																												
	50W	45°	2727 lm	49 lm/W	5,374 cd/m <sup>2</sup>																																																																												
	50W	HSL	3167 lm	56.9 lm/W	12,973 cd/m <sup>2</sup>																																																																												
	120W	7°	7954 lm	63.17 lm/W	353,362 cd/m <sup>2</sup>																																																																												
120W	15°	6885 lm	54.44 lm/W	111,131 cd/m <sup>2</sup>																																																																													
120W	30°	7306 lm	58.03 lm/W	32,270 cd/m <sup>2</sup>																																																																													
120W	45°	7111 lm	56.21 lm/W	12,720 cd/m <sup>2</sup>																																																																													
120W	HSL	7145 lm	56.4 lm/W	29,299 cd/m <sup>2</sup>																																																																													
<b>RGB COLOR CHANGING</b>																																																																																	
<table border="1"> <tbody> <tr><td>50W</td><td>7°</td><td>1588 lm</td><td>28.4 lm/W</td><td>69,373 cd/m<sup>2</sup></td></tr> <tr><td>135W</td><td>7°</td><td>4366 lm</td><td>29.72 lm/W</td><td>212,344 cd/m<sup>2</sup></td></tr> </tbody> </table>	50W	7°	1588 lm	28.4 lm/W	69,373 cd/m <sup>2</sup>	135W	7°	4366 lm	29.72 lm/W	212,344 cd/m <sup>2</sup>																																																																							
50W	7°	1588 lm	28.4 lm/W	69,373 cd/m <sup>2</sup>																																																																													
135W	7°	4366 lm	29.72 lm/W	212,344 cd/m <sup>2</sup>																																																																													
	<b>LUMEN MAINTENANCE</b> White & RGB: L70 AT 25° C, Minimum 75,000 hours																																																																																
Electrical	<b>INPUT VOLTAGE</b> 120V to 277V																																																																																
	<b>POWER CONSUMPTION</b> 30W: 36.5 W 50W: 55.6 W 120W: 125.9 W 135W: 146.9W																																																																																
Control	DMX Ready																																																																																
Physical	<b>DIMENSIONS (HEIGHT X WIDTH X DEPTH)</b> MASQUE 1 - SM Mounting: 9-5/8" x 5-1/8" X 6-3/4" MASQUE 2 - SM Mounting: 12-3/4" x 5-3/4" X 7-1/8" MASQUE 4 - SM Mounting: 21" x 9-1/2" X 13-1/8"																																																																																
	<b>WEIGHT</b> MASQUE 1 - SM Mounting: 7 lbs (3 kg) MASQUE 2 - SM Mounting: 12 lbs (5 kg) MASQUE 4 - SM Mounting: 47 lbs (21 kg)																																																																																
	<b>HOUSING</b> Heavy duty die-cast aluminum, powder-coated finish																																																																																
	<b>EPA</b> MASQUE 1: 0.551 FT <sup>2</sup> MASQUE 2: 0.891 FT <sup>2</sup> MASQUE 4: 2.269 FT <sup>2</sup>																																																																																
	<b>LENS / LENS FRAME</b> Tempered glass / Heavy duty single piece die-cast aluminum, powder-coated finish																																																																																
	<b>OPERATING TEMPERATURES</b> -25° C to 40° C																																																																																
	<b>CERTIFICATION</b> UL/CUL Wet Location																																																																																
Warranty	5 YEAR Limited																																																																																

Lumen measurement tested in accordance with IES LM-79-08

**EXTERNAL SHIELD OPTIONS**



**ECB**  
**Cross Baffle**  
Shielding in vertical and horizontal planes.



**EHB**  
**Horizontal Baffle**  
Glare cutoff in the vertical plane.



**EVB**  
**Vertical Baffle**  
45° shielding for low brightness lateral cutoff.



**BD**  
**Barn Doors**  
Flexible framing of the beam pattern.



**VS**  
**Cutoff Visor**  
Shielding for cutoff in front of the luminaire.



**FS**  
**Adjustable Framing Snoot**  
Glare control for precise beam framing.



**LED ARCHITECTURAL  
FACADE LIGHTING**

**MASQUE-LED**

WHITE LIGHT, STATIC COLORS & RGB COLOR CHANGING

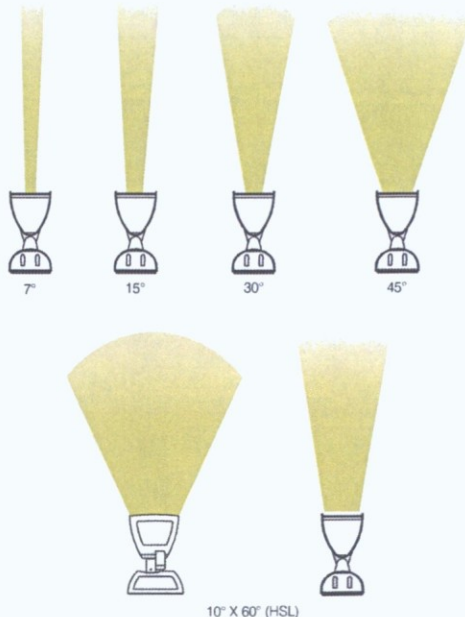
PREFIX	FIXTURE WATTAGE	COLOR TEMP. OR COLOR	OPTICS	MOUNTING	POWER SUPPLY	FINISH	OPTIONS
MASQUE 1 MQ1	16	White Light 27K = 2700K 35K = 3500K 40K = 4000K  R = Static Red G = Static Green B = Static Blue A = Amber	7° 15° 30° 45° 100° HSL (10° X 60°)	<b>MASQUE 1 &amp; 2 MOUNTING OPTIONS</b>  SM = Surface Mount, Wall or Ground  CM = Conduit Mount  EX-X = Extended Arm X = Arm length	INT = 120V - 277V Integral Power Supply  IDIM = 120V - 277V Integral Dimming Power Supply for White Light or Static Colors, 0-10V  Contact factory for 347V	TW = Textured White  TBL = Textured Black  TBR = Textured Bronze  TLB = Textured Light Bronze  TN = Textured Natural  TS = Textured Sandstone  SF # = Specify Finish  CC # = Custom Color  # Contact factory. Additional charges will apply.	<b>EXTERNAL SHIELDS</b>  ECB = Cross Baffle  EHB = Horizontal Baffle  EVB = Vertical Baffle  BD = Barn Doors  VS = Cutoff Visor  SN = Snoot (Contact factory for Masque 4 Snoot availability)  FS = Adjustable Snoot  WG = Wire Guard  <b>OPTIONS</b> TP = Tamper Proof Fasteners  CRF = Corrosion Resistant Finish
	16	RGBW  Contact factory for availability	30° 100°	WM2-X = Twin Fixture, Wall Mount Direct & Indirect X = Arm length			
MASQUE 2 MQ2	30	White Light 27K = 2700K 35K = 3500K 40K = 4000K  R = Static Red G = Static Green B = Static Blue A = Amber	7° 15° 30° 45° 100° HSL (10° X 60°)	ST-X = Stanchion X = Stanchion height  DB1 = Direct Burial, Single Fixture CONTACT FACTORY FOR AVAILABILITY  DB2 = Direct Burial, Twin Fixture CONTACT FACTORY FOR AVAILABILITY			
	50	RGB = RGB					
MASQUE 4 MQ4	120	White Light 27K = 2700K 35K = 3500K 40K = 4000K  R = Static Red G = Static Green B = Static Blue A = Amber	7° 15° 30° 45° 100° HSL (10° X 60°)	<b>MASQUE 4 MOUNTING OPTIONS</b>  SM = Surface Mount  CM = Conduit Mount  EX-X = Extended Arm X = Arm length  ST-X = Stanchion X = Stanchion height  DB1 = Direct Burial, Single CONTACT FACTORY FOR AVAILABILITY			• CRF is recommended for coastal or extreme exterior environments.  • Contact factory for available finishes.
	135	RGB = RGB					

**Notes:**

- DMX controls are required. Contact factory.
- Every fixture is shipped standard as System Control (every fixture has the same address).
- One Splitter/LED Programming Kit (CDS-PK) must be ordered for each RGB or RGBW installation. See below.

**Ordering Example: MQ1/ 16 / 35K / 45° / SM / INT / TW / WG**

PREFIX	FIXTURE WATTAGE	COLOR TEMP. OR COLOR	OPTICS	MOUNTING	VOLTAGE	FINISH	OPTIONS



DMX SPLITTERS/PROGRAMMING KIT - ORDER SEPARATELY	
REQUIRED FOR ALL RGB/RGBW INSTALLATIONS	
CAT#	DESCRIPTION
CDS-PK	<b>DMX SPLITTER/LED PROGRAMMING KIT</b> One CDS-PK is required per RGB or RGBW installation. CDS-PK consists of four outputs. Each output accommodates up to 32 fixtures. Every universe requires its own dedicated CDS-PK. The CDS-PK includes a LED programming kit for field addressing. If additional splitters are required, order CDS1 and/or CDS2 per project requirements.  The CDS-PK will allow for field changes to the DMX resolution which could result in the consumption of more DMX addresses and could result in the need for more DMX control equipment. Insight is not responsible for determining project resolution requirements, but can be accommodated with a programming kit (CDS-PK).
CDS1	<b>DMX SPLITTER ONLY (4 OUTPUTS)</b> CDS1 consists of four outputs. Each output accommodates up to 32 fixtures.
CDS2	<b>DMX SPLITTER ONLY (8 OUTPUTS)</b> CDS2 consists of eight outputs. Each output accommodates up to 32 fixtures.

**INSIGHT**



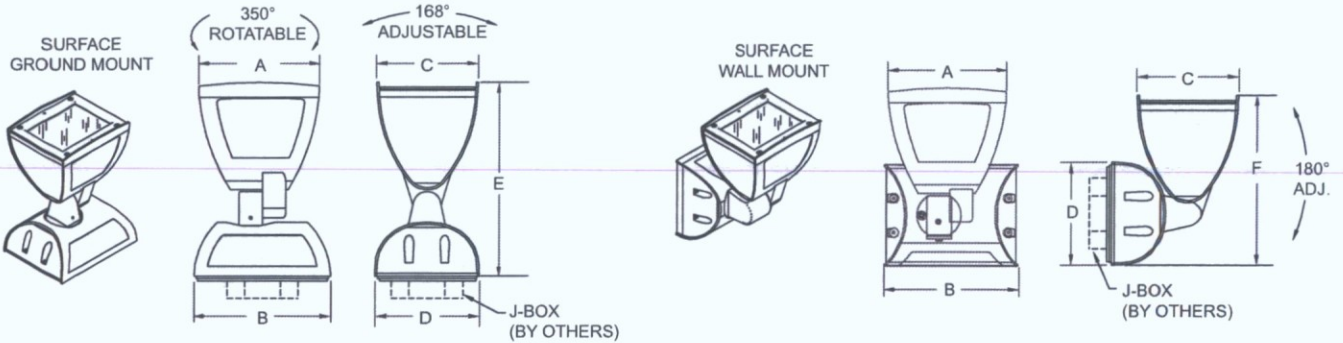
LED ARCHITECTURAL  
FACADE LIGHTING

# MASQUE-LED

WHITE LIGHT, STATIC COLORS & RGB COLOR CHANGING

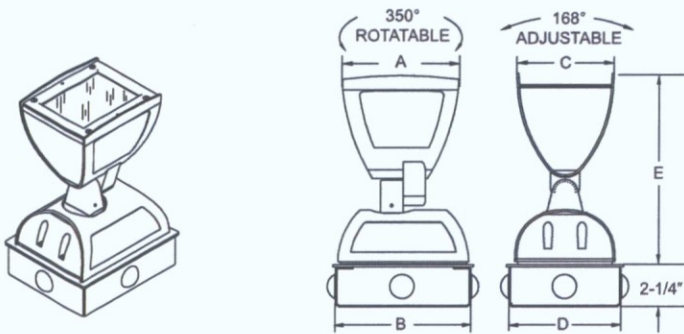
## MOUNTING & DIMENSIONS

### SM - SURFACE, WALL, GROUND



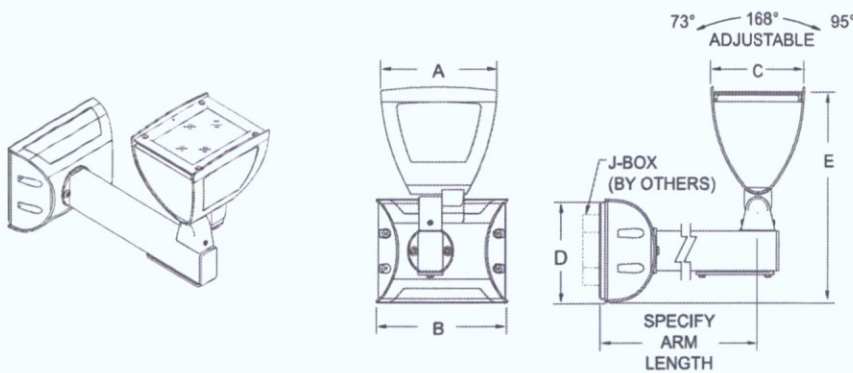
PRODUCT	DIM A	DIM B	DIM C	DIM D	DIM E	DIM F
MASQUE 1	6"	6-3/4"	5"	5-1/8"	9-5/8"	8-5/8"
MASQUE 2	7-1/4"	7-1/8"	6-7/8"	5-3/4"	12-3/4"	11-1/2"
MASQUE 4	14-7/8"	13-1/8"	12-3/4"	9-1/2"	21"	18-1/8"

### CM - CONDUIT MOUNT



PRODUCT	DIM A	DIM B	DIM C	DIM D	DIM E
MASQUE 1	6"	7-1/4"	5"	6"	9-5/8"
MASQUE 2	7-1/4"	7-1/4"	6-7/8"	6"	12-3/4"
MASQUE 4	14-7/8"	13-3/8"	12-3/4"	9-13/16"	21"

### EX - EXTENDED ARM



**Specify Arm Length:**  
**Masque I:** Specify 6", 12", 18" or 24"  
**Masque II:** Specify 8", 12", 18" or 24"  
**Masque IV:** Specify 12", 18" or 24"

PRODUCT	DIM A	DIM B	DIM C	DIM D	DIM E
MASQUE 1	6"	6-3/4"	5"	5-1/8"	11"
MASQUE 2	7-1/4"	7-1/8"	6-7/8"	5-3/4"	13-7/8"
MASQUE 4	14-7/8"	13-1/8"	12-3/4"	9-1/2"	21-3/4"



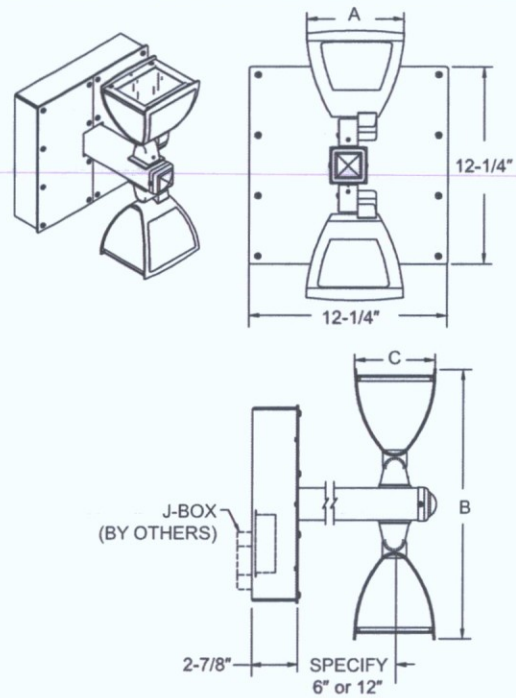
**LED ARCHITECTURAL  
FACADE LIGHTING**

**MASQUE-LED**

WHITE LIGHT, STATIC COLORS & RGB COLOR CHANGING

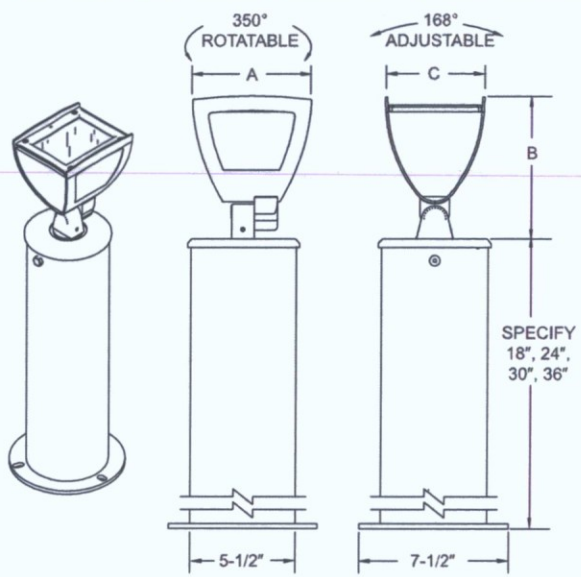
**MOUNTING & DIMENSIONS**

**WM2 - DIRECT/INDIRECT WALL**



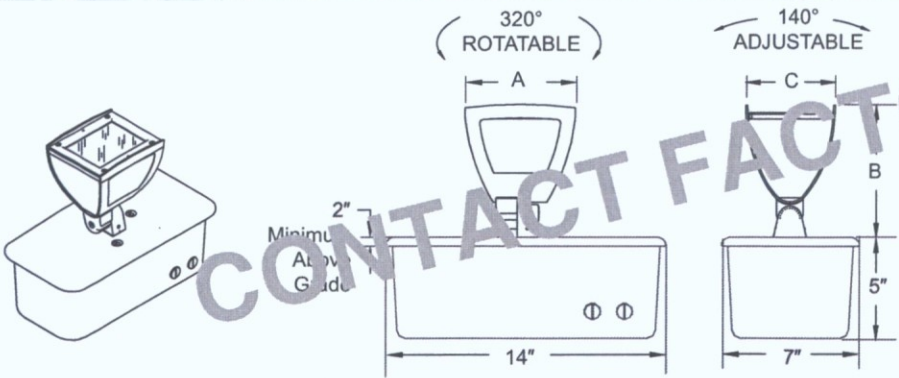
PRODUCT	DIM A	DIM B	DIM C
MASQUE 1	6"	16-5/8"	5"
MASQUE 2	7-1/4"	22"	6-7/8"

**ST - STANCHION**



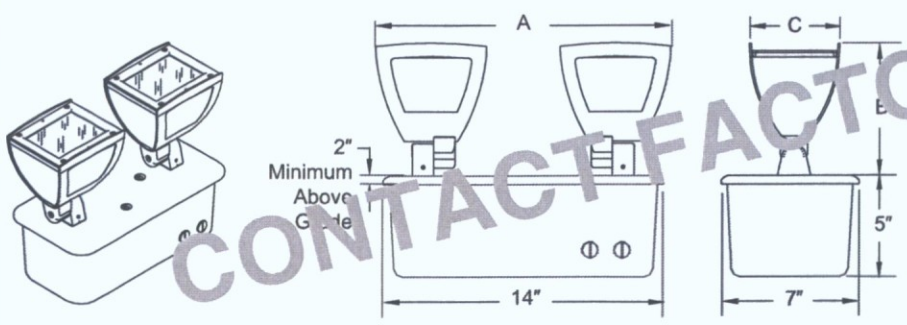
PRODUCT	DIM A	DIM B	DIM C
MASQUE 1	6"	7-1/8"	5"
MASQUE 2	7-1/4"	10"	6-7/8"
MASQUE 4	14-7/8"	15-1/4"	12-3/4"

**DB - DIRECT BURIAL, SINGLE**



PRODUCT	DIM A	DIM B	DIM C
MASQUE 1	6"	7-1/8"	5"
MASQUE 2	7-1/4"	10"	6-7/8"
MASQUE 4	14-7/8"	15-1/4"	12-3/8"

**DB2 - DIRECT BURIAL, TWIN**



PRODUCT	DIM A	DIM B	DIM C
MASQUE 1	15-1/2"	7-1/8"	5"
MASQUE 2	16-7/8"	10"	6-7/8"

**INSIGHT**

**Recessed wall luminaire  
with asymmetrical distribution**

**Housing:** Die cast aluminum with integral wiring compartment. Die castings are marine grade, copper free ( $\leq 0.3\%$  copper content) A360.0 aluminum alloy.

**Enclosure:** One piece die cast aluminum faceplate with stepped baffle, 1/4" thick, clear tempered glass. Faceplate is secured by four (4) flush socket head stainless steel captive screws threaded into stainless steel inserts in the housing casting. Continuous high temperature O-ring gasket for weather tight operation.

**Electrical:** 6.5W LED luminaire, 9 total system watts, -30°C start temperature. Integral 120V through 277V electronic LED driver, 0-10V dimming. LED module(s) are available from factory for easy replacement. Standard LED color temperature is 3000K with an 85 CRI. Available in 4000K (85 CRI); add suffix K4 to order. Two (2) 7/8" knockouts provided for 1/2" conduit.

**Note:** LEDs supplied with luminaire. Due to the dynamic nature of LED technology, LED luminaire data on this sheet is subject to change at the discretion of BEGA-US. For the most current technical data, please refer to [www.bega-us.com](http://www.bega-us.com).

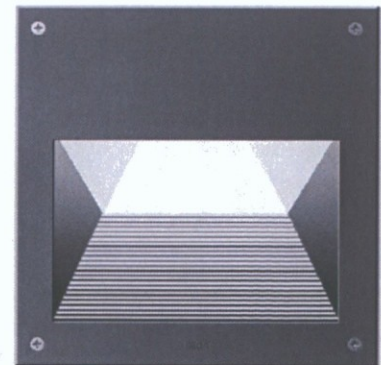
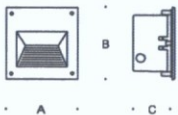
**Finish:** All BEGA standard finishes are polyester powder coat with minimum 3 mil thickness. Available in four standard BEGA colors: Black (BLK); White (WHT); Bronze (BRZ) Silver (SLV). To specify, add appropriate suffix to catalog number. Custom colors supplied on special order.

**CSA** certified to U.S. and Canadian standards, suitable for wet locations. Protection class IP65

**Weight:** 3.1 lbs.

**Luminaire Lumens:** 240  
Tested in accordance with LM-79-08

Type: **Type L7**  
 BEGA Product:  
 Project:  
 Voltage:  
 Color:  
 Options:  
 Modified:



Lamp		A	B	C
2248 LED	ADA 6.5W LED	5 7/8	5 7/8	4 7/8



3  
A-002  
STREETScape ELEVATION  
LOOKING NORTH  
SCALE: NTS

2  
A-002  
STREETScape ELEVATION  
LOOKING EAST  
SCALE: NTS



1  
A-002  
STREETScape ELEVATION  
LOOKING WEST  
SCALE: NTS



1 ENTRY VIEW  
SCALE: NTS  
A-006



2 ENTRY VIEW  
SCALE: NTS  
A-006



3 EARLL FRONTAGE VIEW  
SCALE: NTS  
A-006



4 ENTRY VIEW - PEDESTRIAN ACCESS  
SCALE: NTS  
A-006



5 EAST EARLL DRIVE VIEW  
SCALE: NTS  
A-006



6 VIEW FROM PHASE I ENTRY  
SCALE: NTS  
A-006

