

Final Plans

T-Mobile®

2625 S PLAZA DR ST 400
TEMPE, AZ 85282
TEL: (480) 638-2600 FAX: (480) 638-2852

THE INFORMATION CONTAINED
IN THIS SET OF DRAWINGS
IS PROPRIETARY & CONFIDENTIAL TO T-MOBILE
ANY USE OR DISCLOSURE OTHER THAN AS IT
RELATES TO T-MOBILE IS STRICTLY PROHIBITED



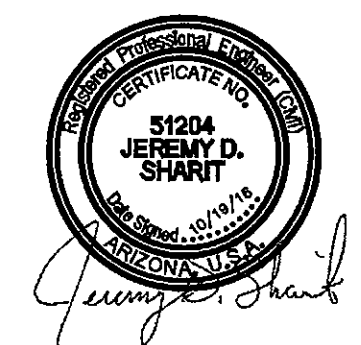
2055 S. STEARMAN DRIVE
CHANDLER AZ 85286

| REV. | DATE | REVISION DESCRIPTION |
|------|----------|----------------------------|
| 1 | 10/04/16 | REISSUED FOR CONSTRUCTION |
| 0 | 09/26/16 | REISSUED FOR CLIENT REVIEW |
| B | 08/26/16 | REISSUED FOR CLIENT REVIEW |
| A | 07/19/16 | ISSUED FOR CLIENT REVIEW |

T-MOBILE SITE NUMBER:
PH309333B

CROWN CASTLE BU NUMBER/NAME:
826319
NOTRE DAME PREP HS

SITE LOCATION:
9701 E. BELL RD
SCOTTSDALE, AZ 85260



PREPARED BY:

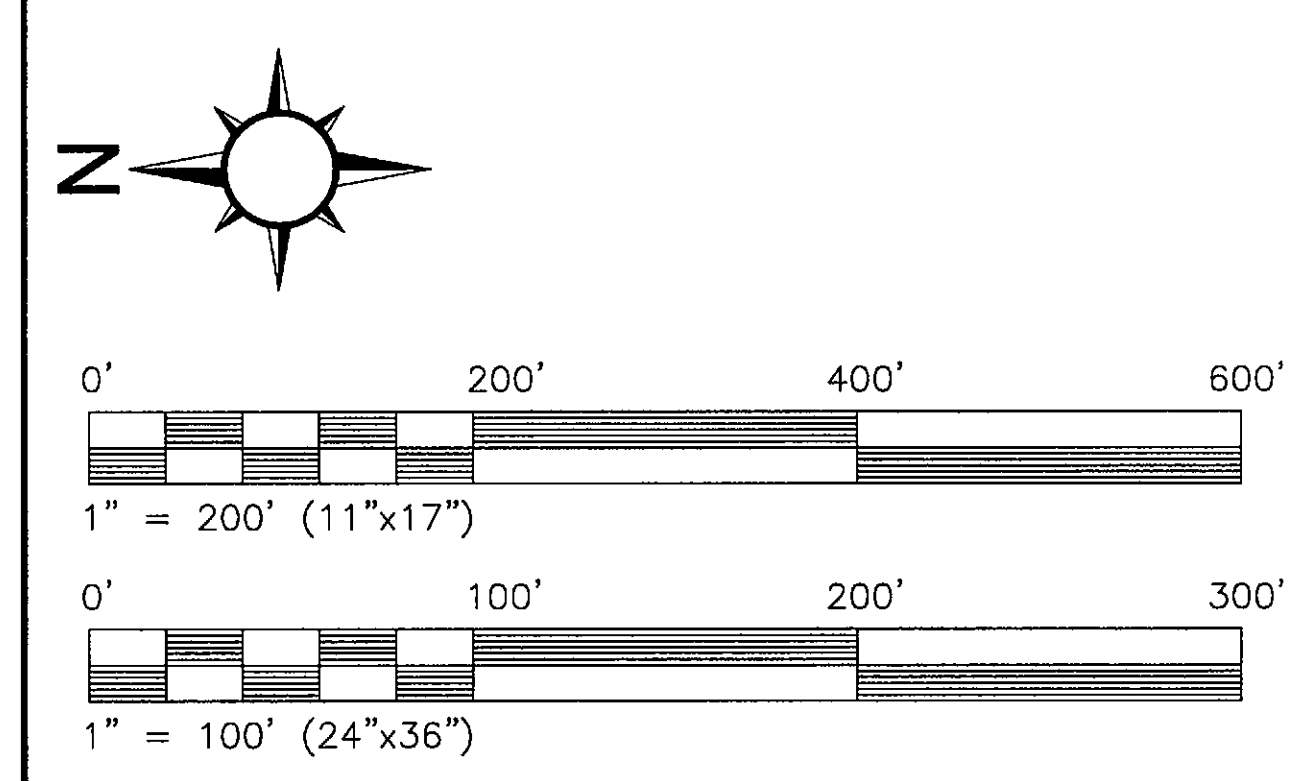
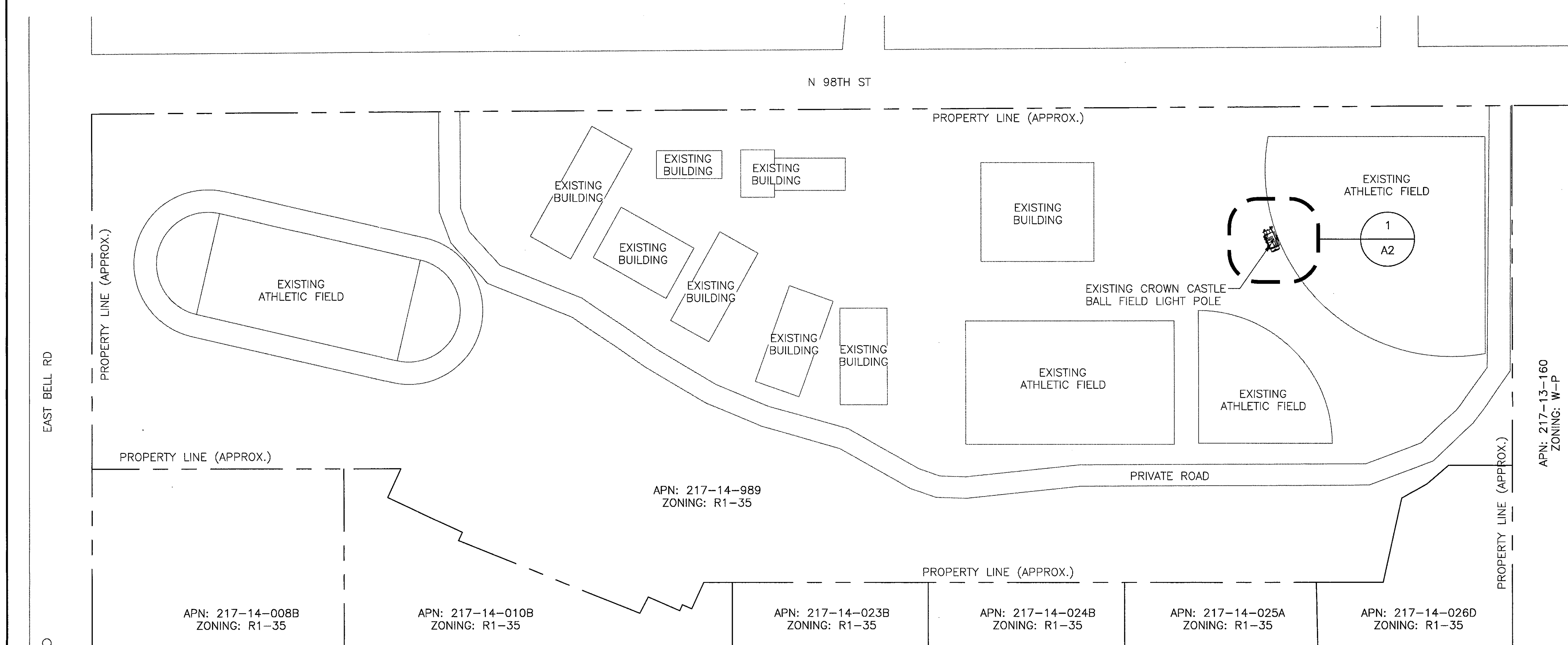


SMW #: 16-1202

DRAWN BY: ACR CHECKED BY: SA

SHEET TITLE:
SITE PLAN

SHEET NUMBER: **A-1** REV: **1**



1
A-1 SITE PLAN
SCALE: 1" = 200'

APPROVED
FINAL PLANS PLANNING
DATE: 2-3-17 APPROVED BY: KN



T-Mobile®

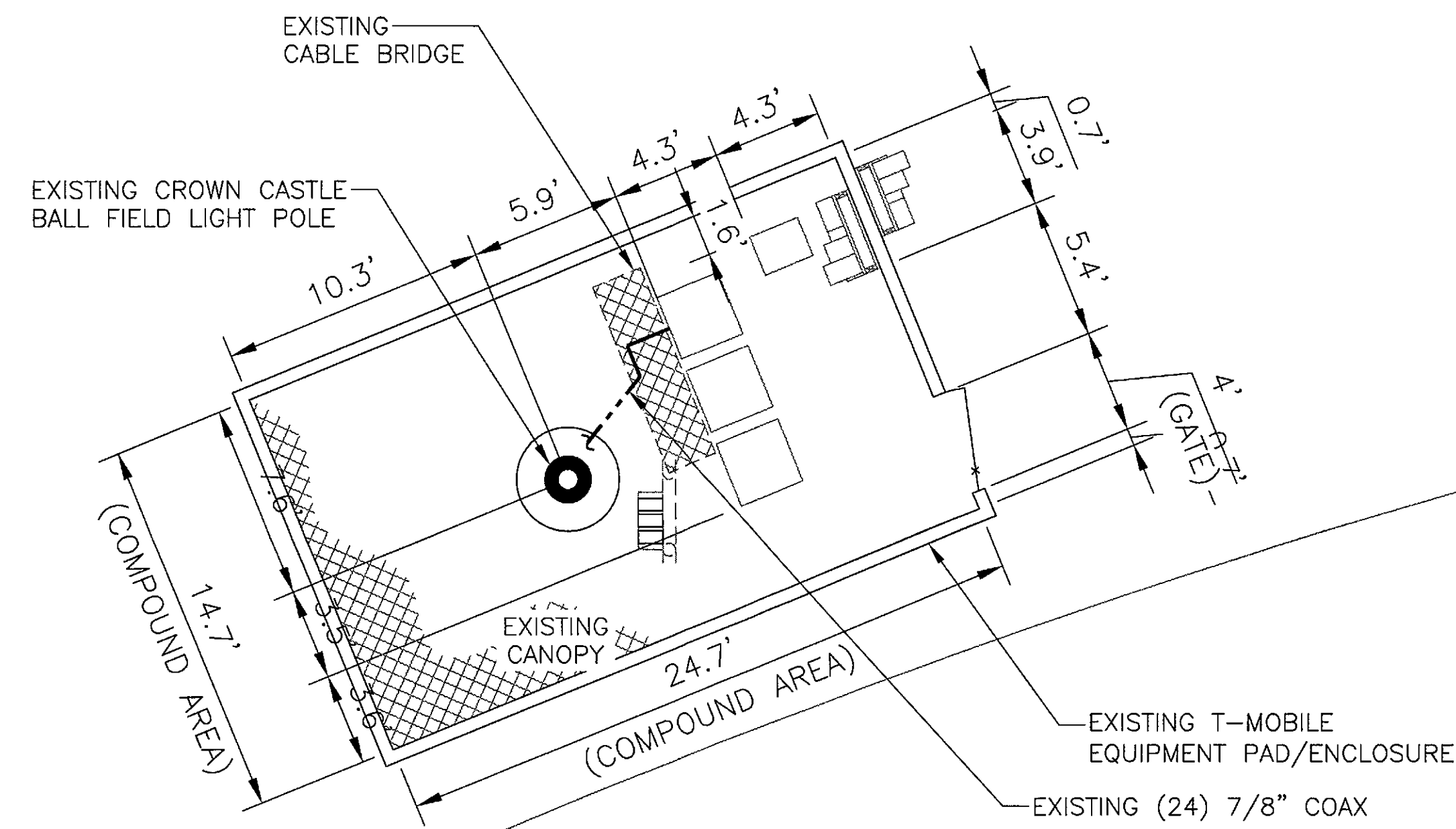
2625 S PLAZA DR ST 400
 TEMPE, AZ 85282
 TEL: (480) 638-2600 FAX: (480) 638-2852

THE INFORMATION CONTAINED
 IN THIS SET OF DRAWINGS
 IS PROPRIETARY & CONFIDENTIAL TO T-MOBILE
 ANY USE OR DISCLOSURE OTHER THAN AS IT
 RELATES TO T-MOBILE IS STRICTLY PROHIBITED

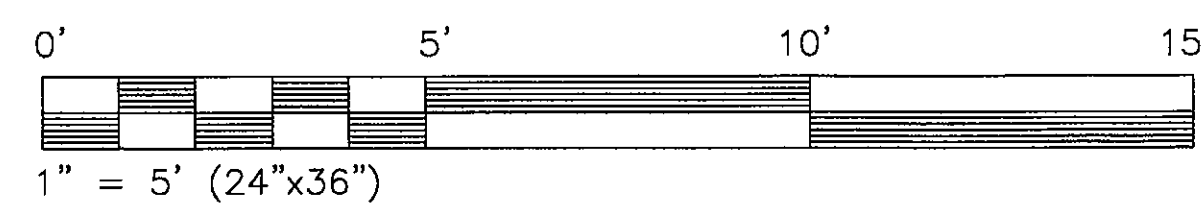
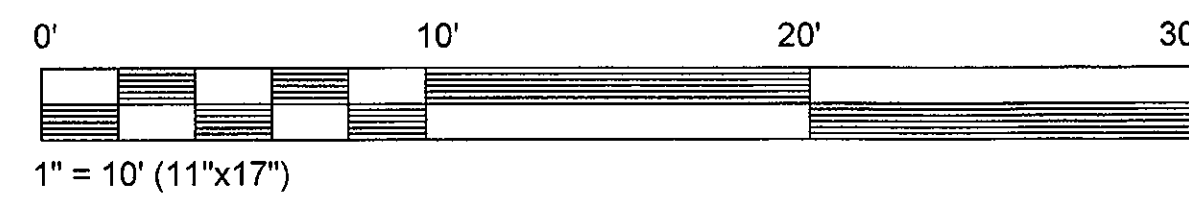
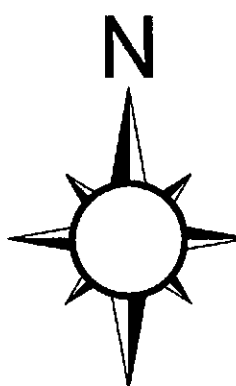
**CROWN
 CASTLE**

2055 S. STEARMAN DRIVE
 CHANDLER AZ 85286

APN: 217-14-989
 ZONING: R1-35

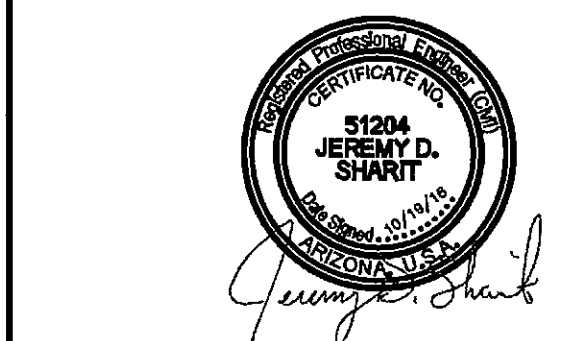


EXISTING
 ATHLETIC FIELD



1
 A-2 ENLARGED SITE PLAN
 SCALE: 1" = 10'

APPROVED
 FINAL PLANS PLANNING
 2-3-17 DATE KN APPROVED BY



PREPARED BY:



SMW #: 16-1202

DRAWN BY: ACR CHECKED BY: SA

SHEET TITLE:
ENLARGED SITE PLAN

SHEET NUMBER: **A-2** REV.: **1**



T-Mobile®

2625 S PLAZA DR ST 400
 TEMPE, AZ 85282
 TEL: (480) 638-2600 FAX: (480) 638-2852

THE INFORMATION CONTAINED
 IN THIS SET OF DRAWINGS
 IS PROPRIETARY & CONFIDENTIAL TO T-MOBILE
 ANY USE OR DISCLOSURE OTHER THAN AS IT
 RELATES TO T-MOBILE IS STRICTLY PROHIBITED

**CROWN
 CASTLE**

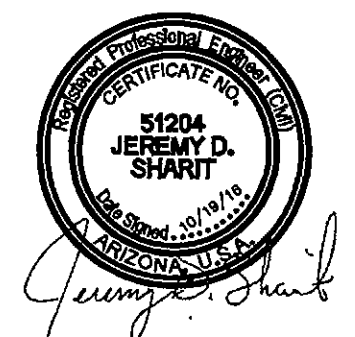
2055 S. STEARMAN DRIVE
 CHANDLER AZ 85286

| REV. | DATE | REVISION DESCRIPTION |
|------|----------|----------------------------|
| 1 | 10/04/16 | REISSUED FOR CONSTRUCTION |
| 0 | 09/26/16 | REISSUED FOR CLIENT REVIEW |
| B | 08/26/16 | REISSUED FOR CLIENT REVIEW |
| A | 07/19/16 | ISSUED FOR CLIENT REVIEW |

T-MOBILE SITE NUMBER:
 PH30933B

CROWN CASTLE BU NUMBER/NAME:
 826319
 NOTRE DAME PREP HS

SITE LOCATION:
 9701 E. BELL RD
 SCOTTSDALE, AZ 85260



PREPARED BY:
SMW
ENGINEERING GROUP, INC.
 TOGETHER PLANNING A BETTER TOMORROW

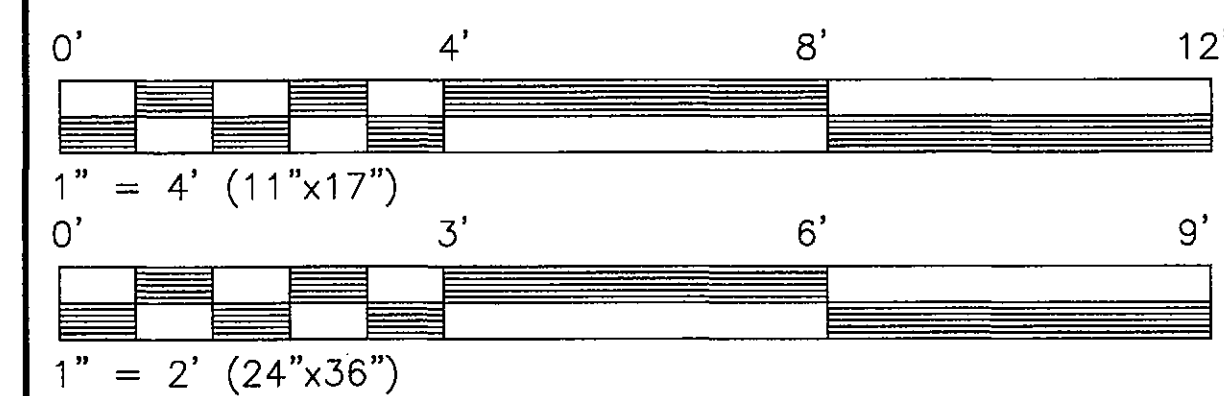
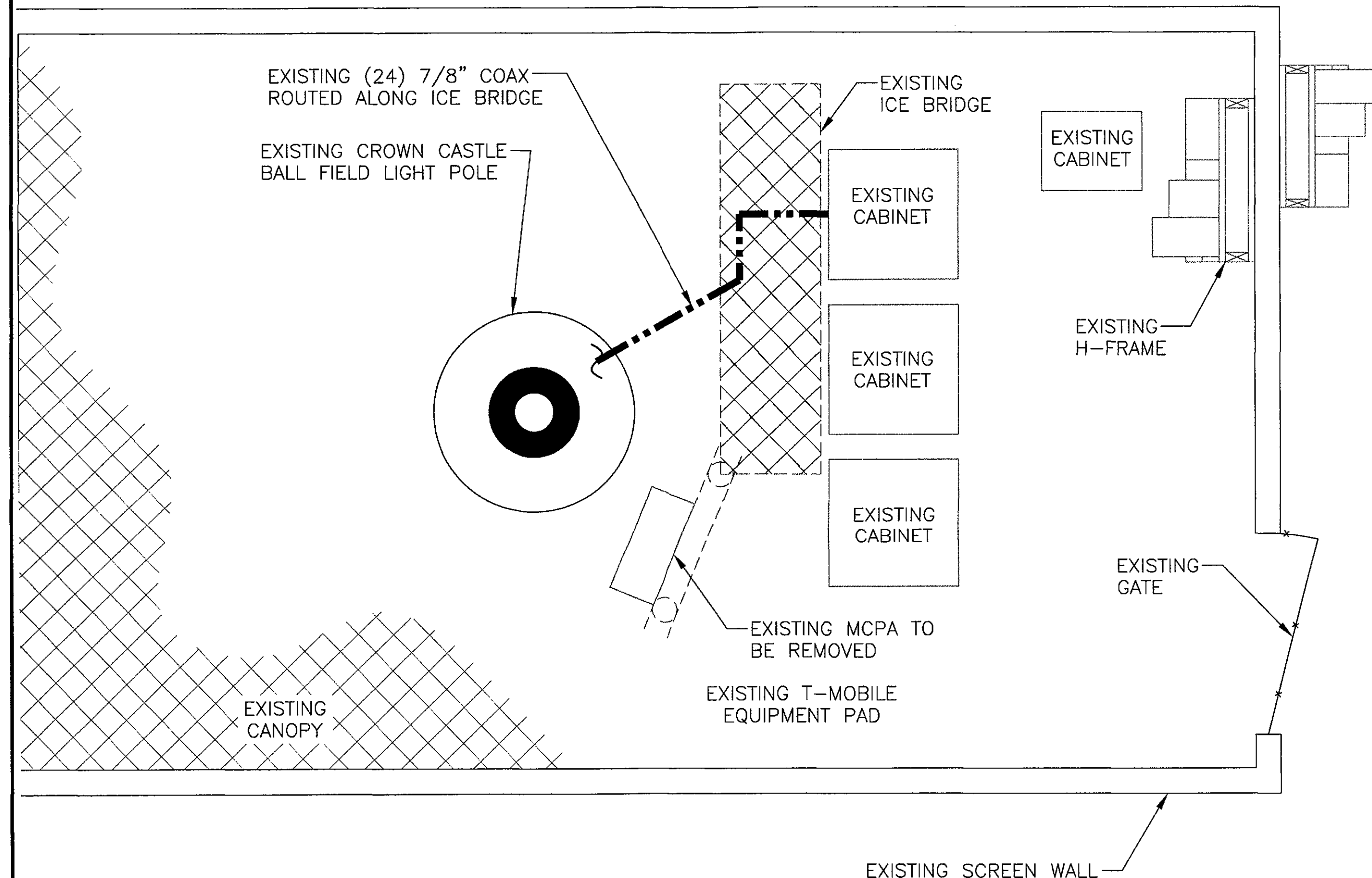
SMW #: 16-1202

DRAWN BY: ACR CHECKED BY: SA

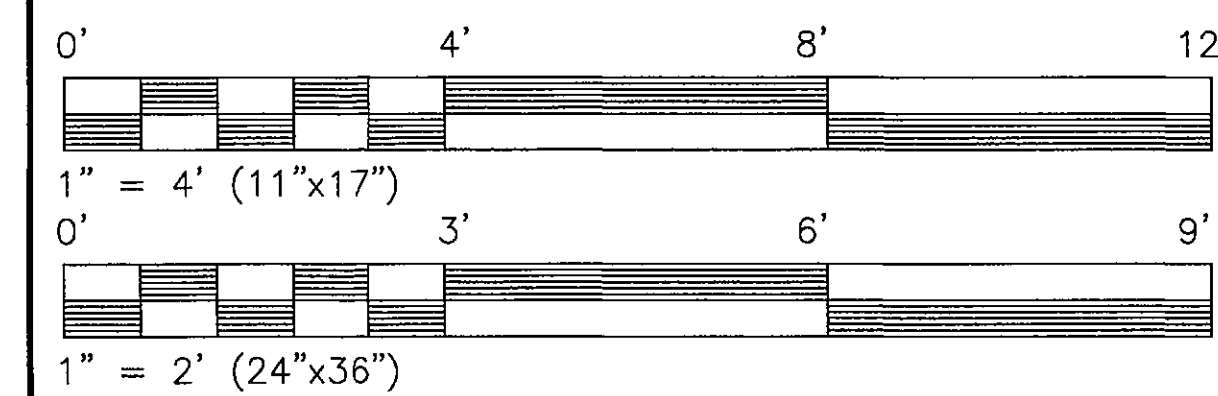
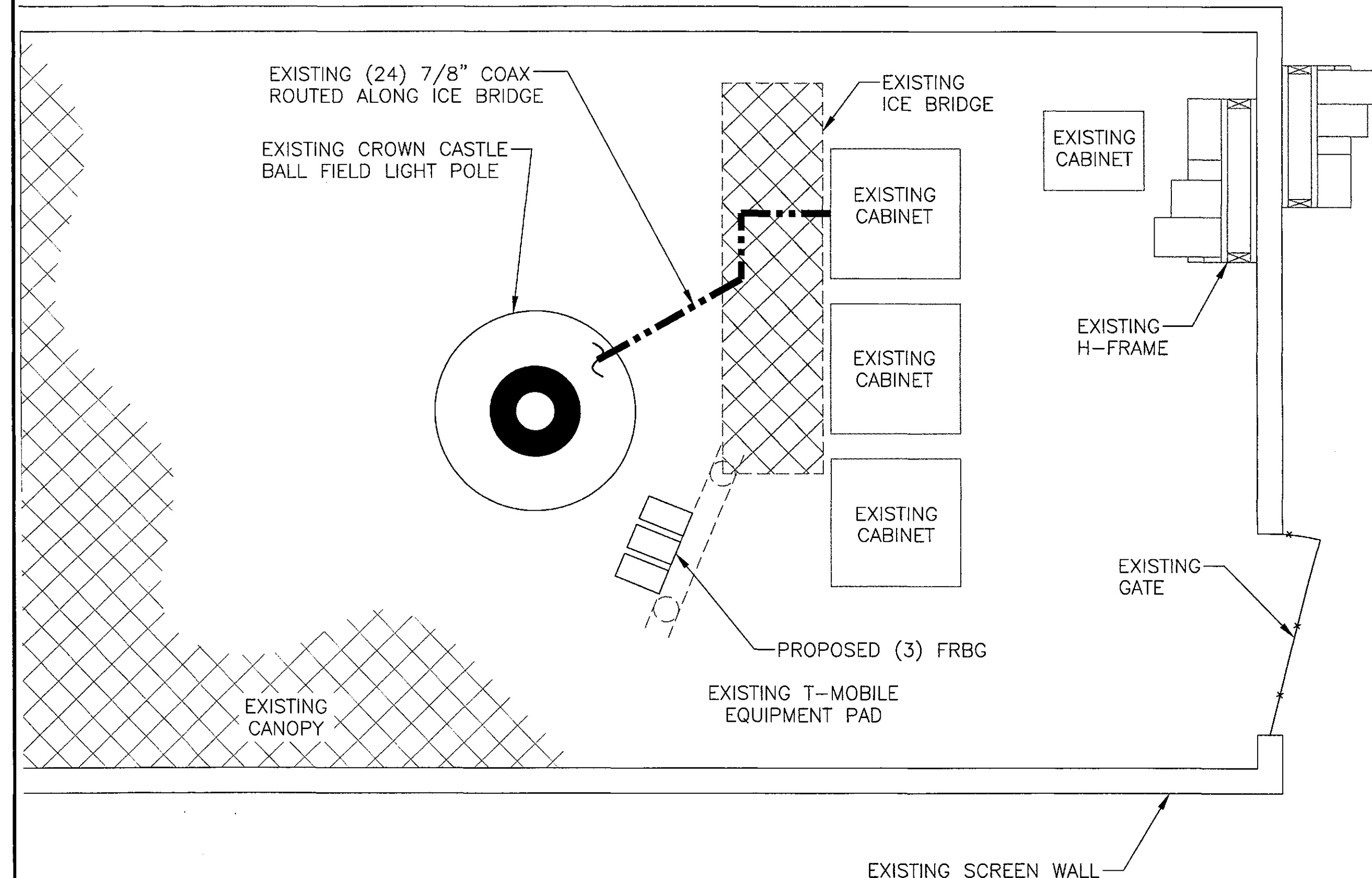
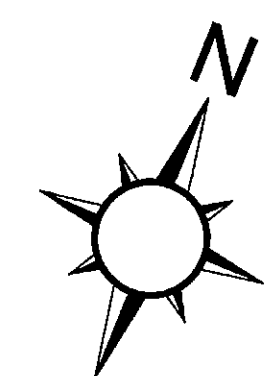
SHEET TITLE:
**EXISTING & PROPOSED
 EQUIPMENT PLAN**

SHEET NUMBER: A-3 REV: 1

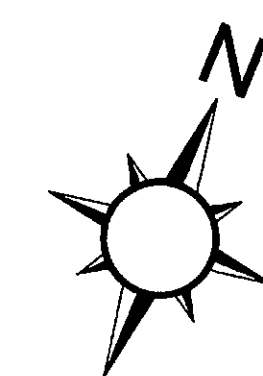
PROPOSED
 EQUIPMENT TO BE
 INSTALLED IN
 EXISTING CABINET



1
 A-3 EXISTING EQUIPMENT PLAN
 SCALE: 1" = 3'



2
 A3 PROPOSED EQUIPMENT PLAN
 SCALE: 1" = 3'



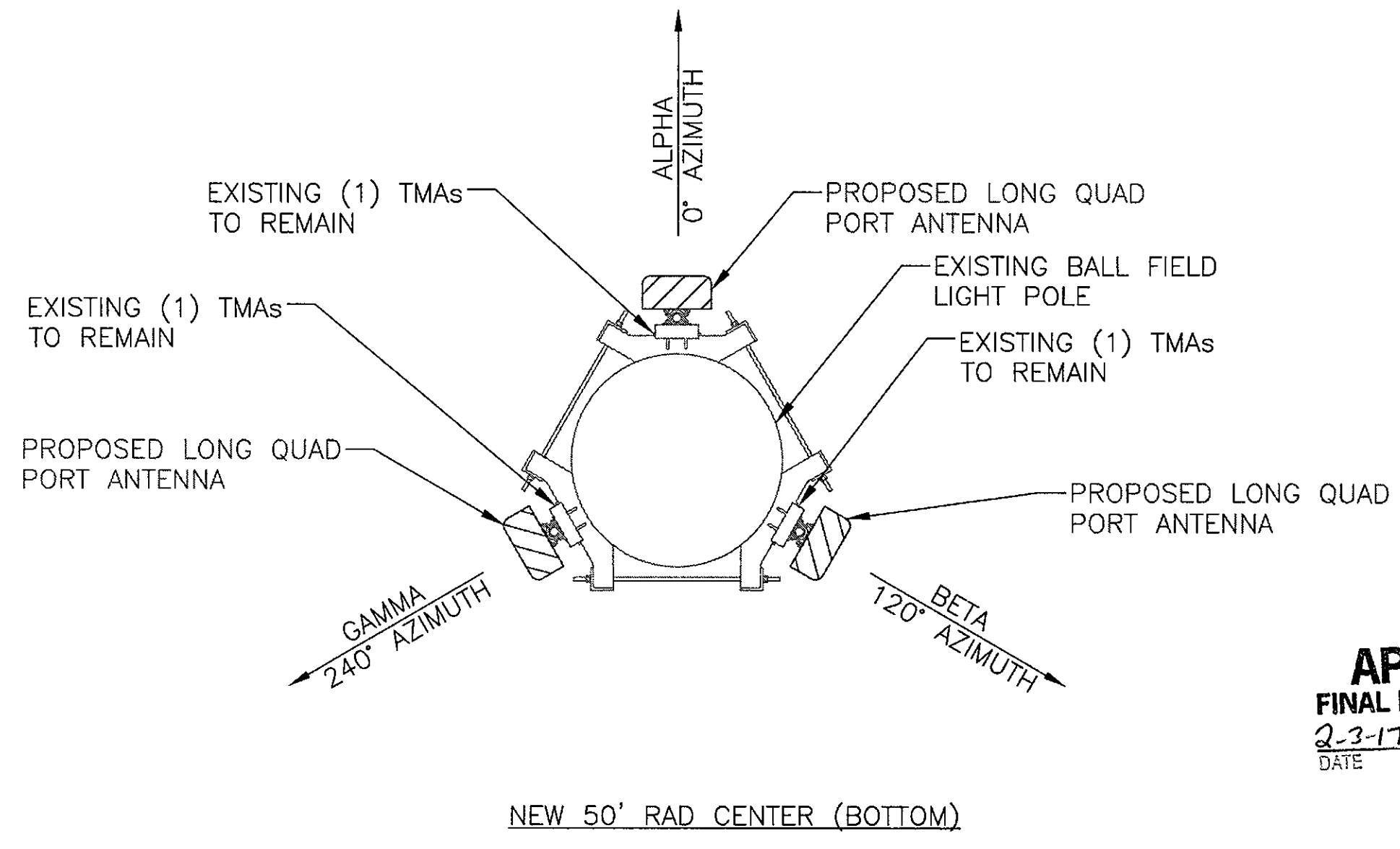
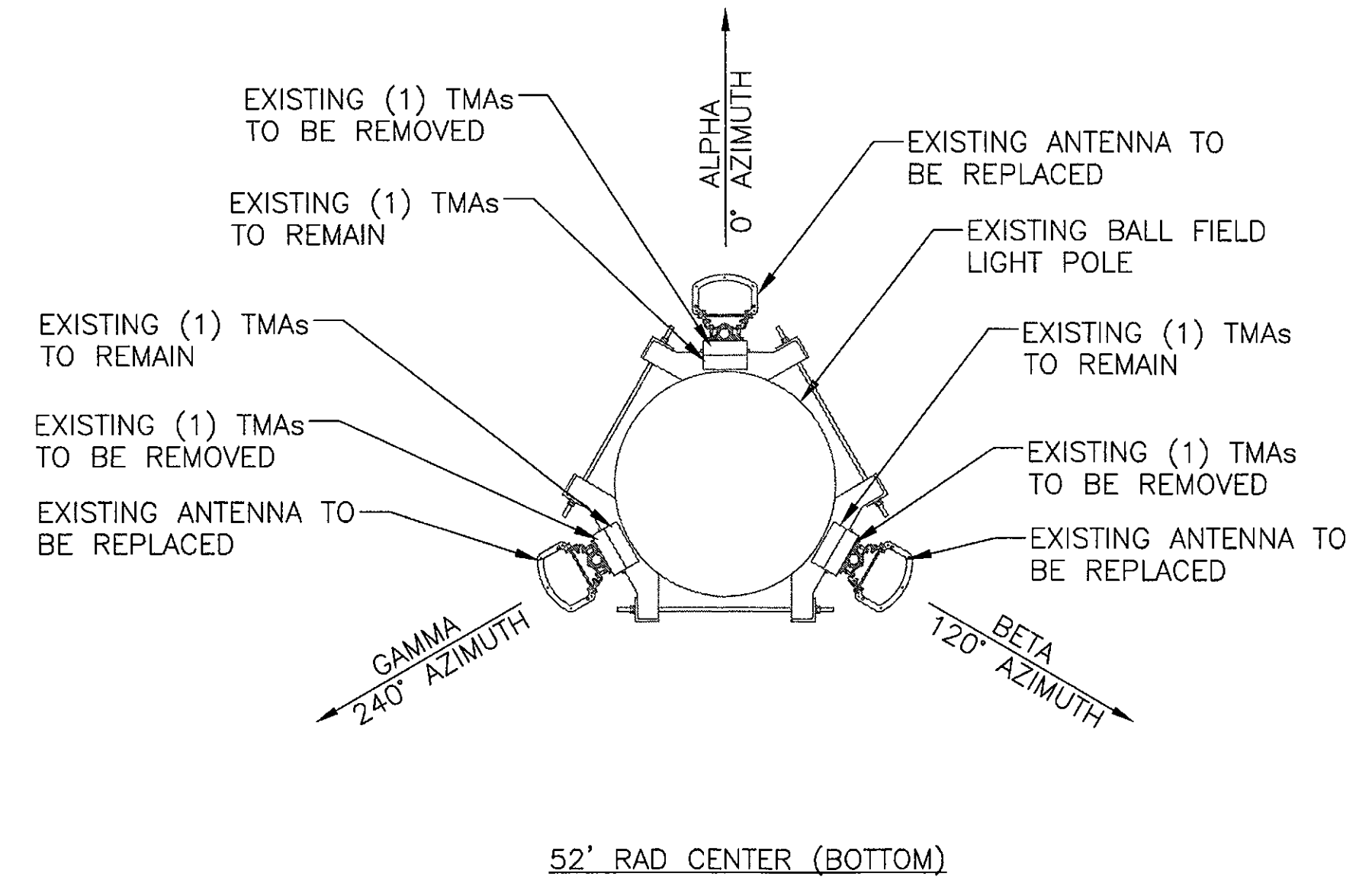
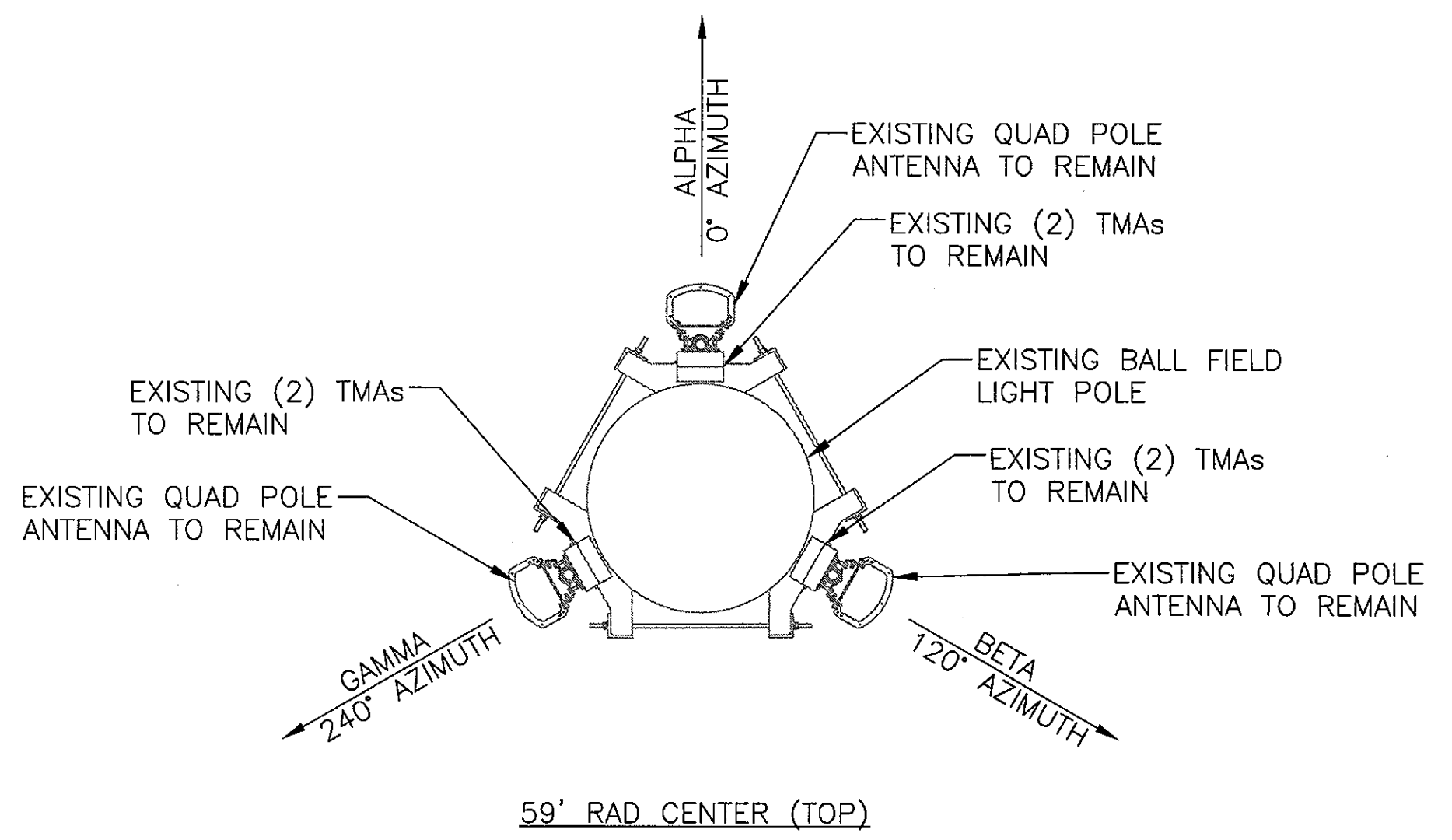
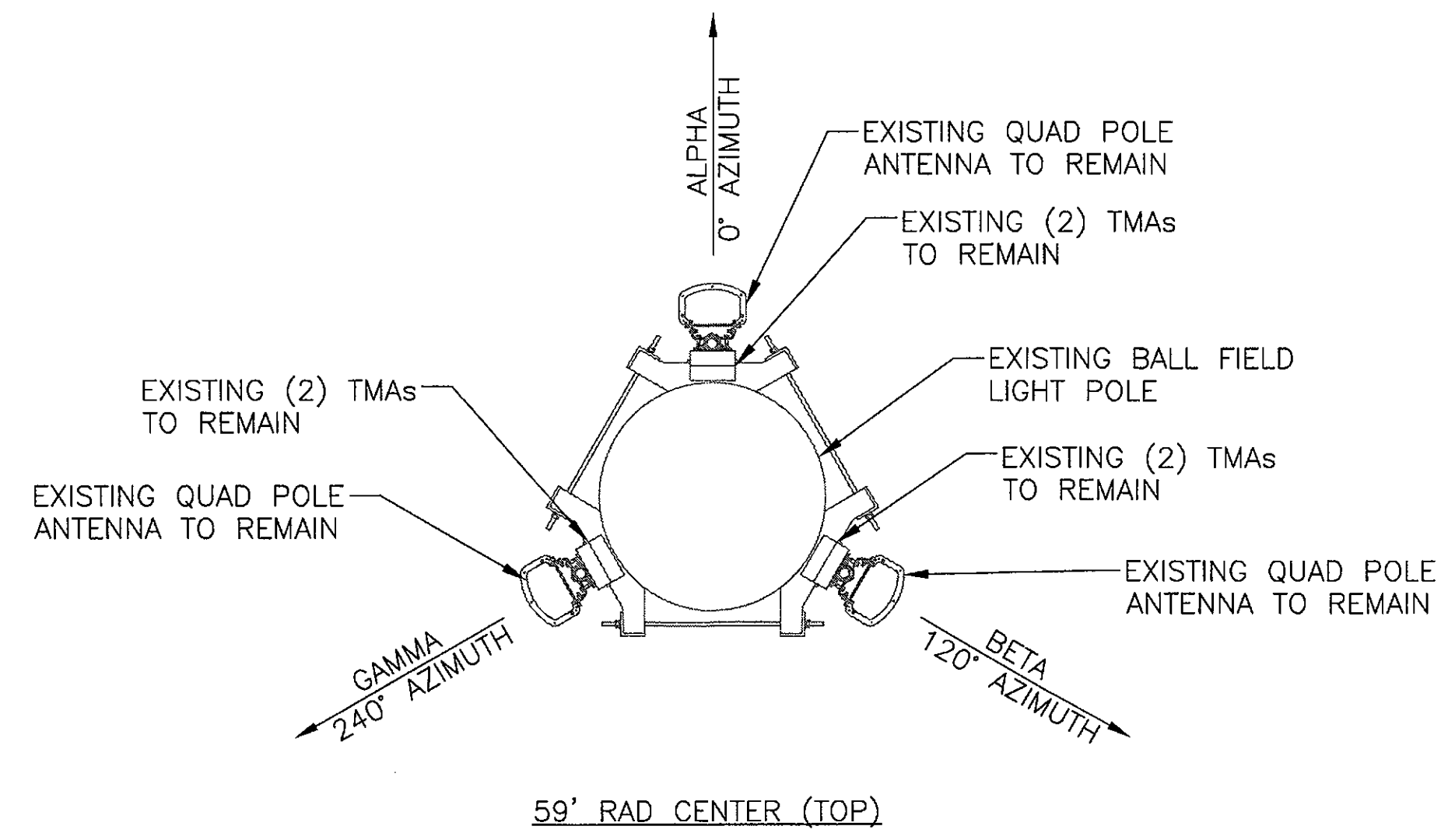
APPROVED
 FINAL PLANS PLANNING
 DATE: 2-3-17 APPROVED BY: KJ

| ANTENNA KEY | | | | | |
|-------------|----------|-----------|----------------------------|------------|---------|
| POSITION | STATUS | ANTENNA | ANTENNA DIMENSIONS (HxWxD) | RAD CENTER | AZIMUTH |
| A | NEW | LONG QUAD | 96.1"x14.9"x13.4" | 50' | 0° |
| B | NEW | LONG QUAD | 96.1"x14.9"x13.4" | 50' | 120° |
| C | NEW | LONG QUAD | 96.1"x14.9"x13.4" | 50' | 240° |
| D | EXISTING | QUAD PORT | 53.1"x6.9"x3.15" | 59' | 0° |
| E | EXISTING | QUAD PORT | 53.1"x6.9"x3.15" | 59' | 120° |
| F | EXISTING | QUAD PORT | 53.1"x6.9"x3.15" | 59' | 240° |
| | | | | | |
| | | | | | |
| | | | | | |

NO MAPPING OR ANALYSIS HAS BEEN PERFORMED ON SECTOR MOUNTS, AND STRUCTURAL INTEGRITY OF MOUNTS UNDER NEW LOADING IS UNDETERMINED

NEW INTEGRATED ANTENNA SYSTEM PLACEMENT TO BE FIELD VERIFIED AT START OF CONSTRUCTION, PLACEMENT TO BE APPROVED BY T-MOBILE PRIOR TO INSTALL

NEW ANTENNA MASTS SHOULD BE INSTALLED AT THE 50' RAD FOR THE NEW L700 ANTENNAS 2 7/8" MIN.



APPROVED
FINAL PLANS PLANNING
2-3-17
DATE APPROVED BY *KN*

1 A-4 EXISTING ANTENNA ORIENTATION PLAN

2 A-4 PROPOSED ANTENNA ORIENTATION PLAN



2625 S PLAZA DR ST 400
TEMPE, AZ 85282
TEL: (480) 638-2600 FAX: (480) 638-2852

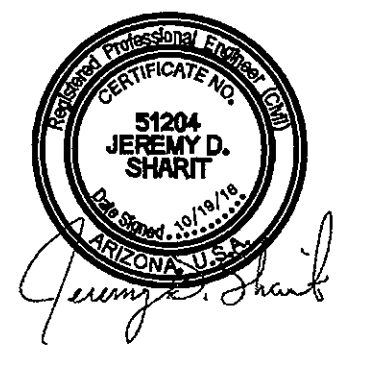
THE INFORMATION CONTAINED IN THIS SET OF DRAWINGS IS PROPRIETARY & CONFIDENTIAL TO T-MOBILE. ANY USE OR DISCLOSURE OTHER THAN AS IT RELATES TO T-MOBILE IS STRICTLY PROHIBITED.



2055 S. STEARMAN DRIVE
CHANDLER AZ 85286

| REV. | DATE | REVISION DESCRIPTION |
|------|----------|----------------------------|
| 1 | 10/04/16 | REISSUED FOR CONSTRUCTION |
| 0 | 09/26/16 | REISSUED FOR CLIENT REVIEW |
| B | 08/26/16 | REISSUED FOR CLIENT REVIEW |
| A | 07/19/16 | ISSUED FOR CLIENT REVIEW |

T-MOBILE SITE NUMBER:
PH30933B
CROWN CASTLE BU NUMBER/NAME:
826319
NOTRE DAME PREP HS
SITE LOCATION:
9701 E. BELL RD
SCOTTSDALE, AZ 85260

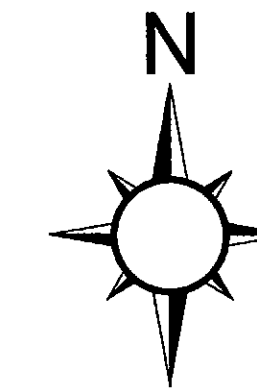


PREPARED BY:
SMW
ENGINEERING GROUP, INC.
TOGETHER PLANNING A BETTER TOMORROW

SMW #: 16-1202
DRAWN BY: ACR
CHECKED BY: SA

SHEET TITLE:
EXISTING & PROPOSED ANTENNA PLAN

SHEET NUMBER: **A-4** REV.: **1**



T-Mobile

2625 S PLAZA DR ST 400
 TEMPE, AZ 85282
 TEL: (480) 638-2600 FAX: (480) 638-2852

THE INFORMATION CONTAINED
 IN THIS SET OF DRAWINGS
 IS PROPRIETARY & CONFIDENTIAL TO T-MOBILE
 ANY USE OR DISCLOSURE OTHER THAN AS IT
 RELATES TO T-MOBILE IS STRICTLY PROHIBITED

**CROWN
 CASTLE**

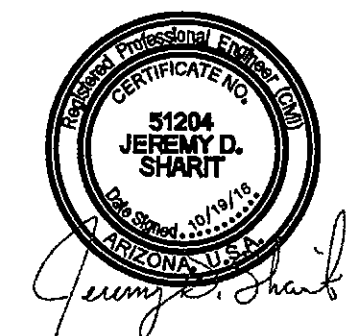
2055 S. STEARMAN DRIVE
 CHANDLER AZ 85286

| REV. | DATE | REVISION DESCRIPTION |
|------|----------|----------------------------|
| 1 | 10/04/16 | REISSUED FOR CONSTRUCTION |
| 0 | 09/26/16 | REISSUED FOR CLIENT REVIEW |
| B | 08/26/16 | REISSUED FOR CLIENT REVIEW |
| A | 07/19/16 | ISSUED FOR CLIENT REVIEW |

T-MOBILE SITE NUMBER:
 PH30933B

CROWN CASTLE BU NUMBER/NAME:
 826319
 NOTRE DAME PREP HS

SITE LOCATION:
 9701 E. BELL RD
 SCOTTSDALE, AZ 85260



PREPARED BY:
SMW
ENGINEERING GROUP, INC.
 TOGETHER PLANNING A BETTER TOMORROW

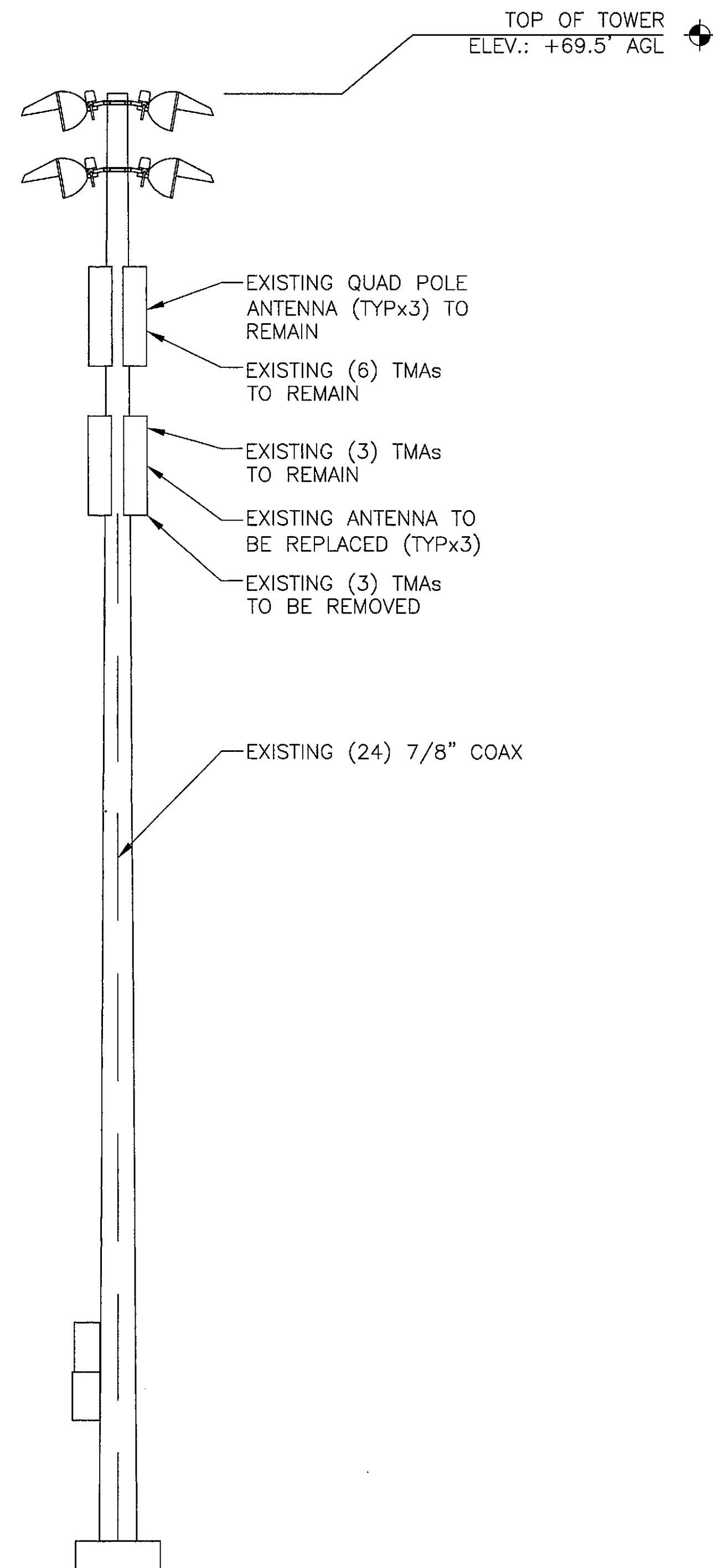
SMW #: 16-1202

DRAWN BY: ACR CHECKED BY: SA

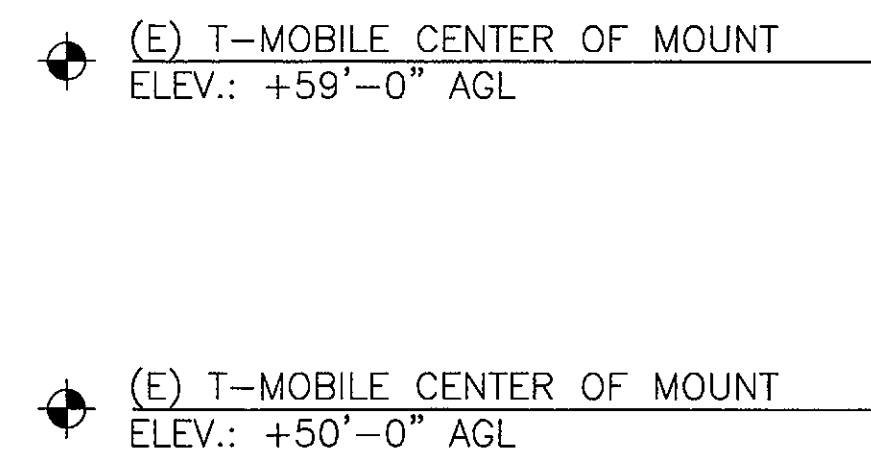
SHEET TITLE:
**EXISTING & PROPOSED
 ELEVATIONS**

SHEET NUMBER: REV.:

A-5 **1**



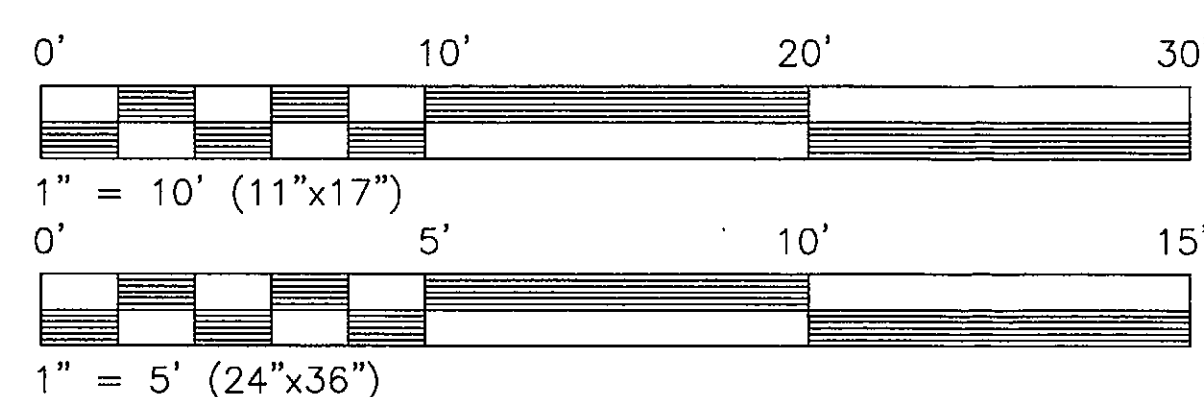
1 EXISTING TOWER ELEVATION
 A-5



2 PROPOSED TOWER ELEVATION
 A-5

THERE ARE NO RADIOS ON THE TOWER

- NOTES:
- ANTENNAS, SHROUDS, TMA'S, AND MOUNTING HARDWARE SHALL BE PAINTED TO MATCH THE COLOR OF THE LIGHT POLE AND EXISTING ANTENNAS.
 - ANTENNA MOUNTS SHALL BE TRIMMED TO MATCH THE HEIGHT OF THE ANTENNAS.



APPROVED
FINAL PLANS PLANNING
 2-3-17 DATE KN APPROVED BY