

**Exterior Building Color & Material Samples**

**Color Drawdowns**

**Archaeological Resources**

**Airport Vicinity Development Checklist**

**Parking Study**

**Trip Generation Comparison**

**Parking Master Plan**

## DESCRIPTION

The TopTier™ parking garage, canopy and low-bay luminaire is an innovative solution that delivers an unparalleled combination of performance and visual comfort. The patented WaveStream™ optical technology blocks the line of sight from the LED light sources to the observer, while extracting the maximum amount of light on task. This approach results in a high level of uniformity and vertical footcandles that enhances safety in the application environment. The TopTier luminaire is UL/cUL listed for wet locations, IP66 and 3G vibration rated.

Catalog #		Type	
Project		SLA	
Comments		Date	
Prepared by			

## SPECIFICATION FEATURES

### Construction

One-piece, low copper die-cast aluminum housing provides a clean and symmetric housing. Formed aluminum top is sloped to prevent bird nesting. Metal electrical tray allows for easy electrical access for field servicing.

### Optics

Unique optical distributions are accomplished using various combinations of reflective backing plates and WaveStream optical technology. The optical Waveguide is manufactured using precision injection molded acrylic. The optics contain features that form a repeatable and redundant pattern to direct light in a precisely prescribed distribution. The drive lane distribution is specifically designed for locations with one direction of travel to optimally direct light in the same direction of travel for maximum glare control. For additional glare control and visual comfort with the Wide distribution, specify the SG option which adds a Solite® glass lens that works in combination with the Waveguide lens and reflective backing plate.

Offered standard in 4000K (+/- 275K) CCT, optional 3000K, 5000K and 6000K. Minimum 70 CRI. Optional uplight feature provides a dedicated light engine (17W) to maintain consistent output across fixtures and reduces cave effect. Nominal uplight output is 800 lumens and ranges from 10%-30% total light output depending on the lumen package.

### Electrical

LED driver(s) are mounted to metal electrical tray for optimal thermal performance. 120-277V 50/60Hz, 347V 60Hz or 480V 60Hz operation. 480V is compatible for use with 480V Wye systems only. Standard with 0-10V dimming driver(s), specify 5LTD for Fifth Light DALI driver(s). Shipped standard with Eaton proprietary circuit module designed to withstand 10kV of transient line surge. Greater than 90% lumen maintenance expected at 60,000 hours, based off LM-80 test data and TM-21. Suitable for ambient temperature applications from -40°C (-40°F) to 40°C (104°F). For 50°C (122°F) applications, specify the HA high ambient option. IP66 rated against the ingress of dust and water.

### Mounting

Standard fixture mounts to a square or octagonal 4" surface or recessed j-box via heavy-gauge quick mount bracket. Optional mounting methods include trunnion mount and wall mount. With the addition of a field supplied wet location j-box, the luminaire can be pendant mounted using the factory supplied decorative pendant mount kit or a suitable field supplied pendant.

### Finish

Housing finished in white super durable TGIC polyester powder coat paint with 2.5 mil nominal thickness for superior protection against fade and wear. Optional colors include black, bronze, grey, dark platinum and graphite metallic. RAL and custom color matches available. Consult the McGraw-Edison Architectural Colors brochure for the complete selection.

### Warranty

Five-year warranty.



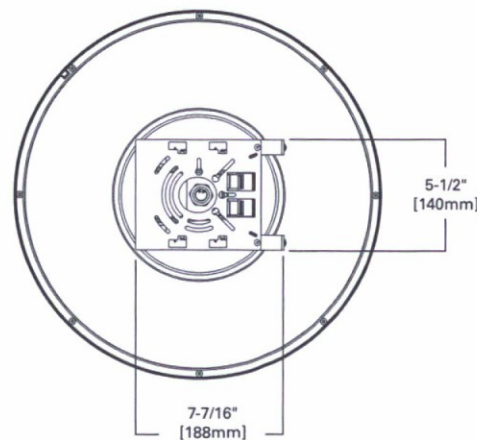
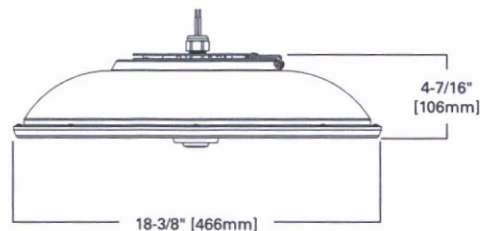
## TT TOPTIER LED

Solid State LED

PARKING GARAGE/  
CANOPY/  
LOW-BAY LUMINAIRE

## DIMENSIONS

### SURFACE OR PENDANT MOUNT



### CERTIFICATION DATA

UL/cUL Wet Location Listed  
3G Vibration Rated  
LM79 / LM80 Compliant  
IP66 Rated  
ISO 9001  
DesignLights Consortium™ Qualified\*

### ENERGY DATA

Electronic LED Driver  
>0.9 Power Factor  
<20% Total Harmonic Distortion  
120-277V/50 & 60Hz, 347V/60Hz,  
480V/60Hz  
-40°C Min. Temperature  
40°C Max. Temperature  
50°C Max. Temperature (HA Option)

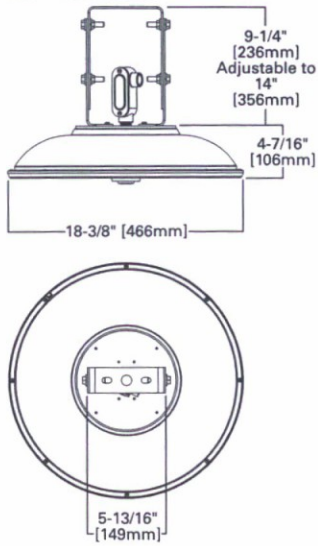
### SHIPPING DATA

Approximate Net Weight:  
16 lbs. (7.2 kgs.)

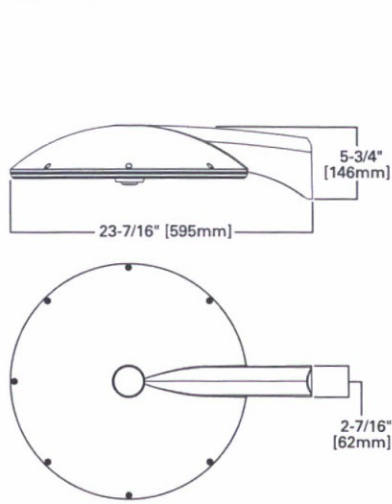
26-DR-2017#3  
10/16/17

ADDITIONAL MOUNTING OPTIONS

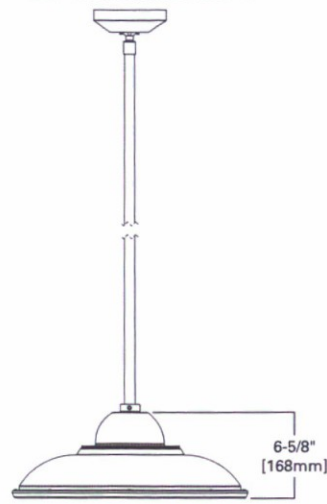
TRUNNION MOUNT



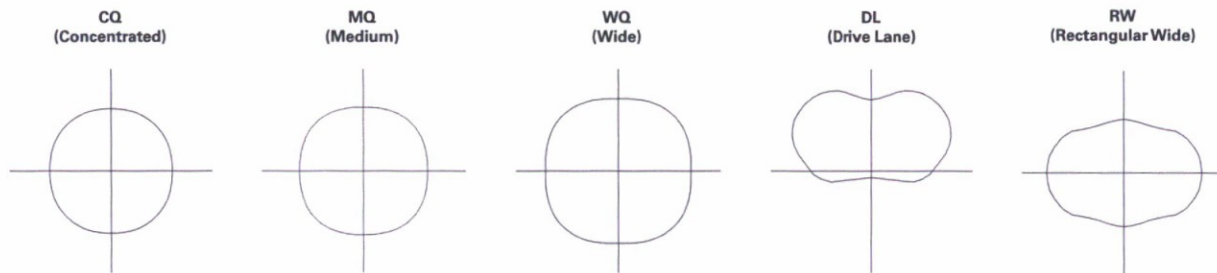
WALL MOUNT



DECORATIVE PENDANT MOUNT



OPTICAL DISTRIBUTIONS



LUMEN MAINTENANCE

Ambient Temperature	Lumen Maintenance				
	25,000 Hours	50,000 Hours	60,000 Hours TM-21 Rating	100,000 Hours	Theoretical L70 (Hours) Per TM-21 Data
<b>C1 Lumen Package</b>					
25°C	> 96%	> 95%	> 95%	> 93%	> 500,000
40°C	> 96%	> 94%	> 94%	> 93%	> 500,000
50°C	> 95%	> 94%	> 93%	> 93%	> 400,000
<b>C2 Lumen Package</b>					
25°C	> 96%	> 95%	> 95%	> 93%	> 500,000
40°C	> 95%	> 94%	> 93%	> 91%	> 500,000
50°C	> 95%	> 93%	> 92%	> 90%	> 400,000
<b>C3 Lumen Package</b>					
25°C	> 96%	> 93%	> 93%	> 89%	> 300,000
40°C	> 95%	> 91%	> 90%	> 85%	> 240,000
50°C	> 95%	> 90%	> 89%	> 83%	> 200,000
<b>C4 Lumen Package</b>					
25°C	> 96%	> 95%	> 95%	> 93%	> 500,000
40°C	> 95%	> 92%	> 92%	> 88%	> 300,000
50°C	> 94%	> 91%	> 90%	> 85%	> 250,000
<b>C5 Lumen Package</b>					
25°C	> 96%	> 93%	> 92%	> 88%	> 300,000
40°C	> 94%	> 90%	> 89%	> 83%	> 200,000
<b>C6 Lumen Package</b>					
25°C	> 95%	> 92%	> 90%	> 86%	> 250,000
40°C	> 95%	> 92%	> 91%	> 86%	> 250,000

POWER AND LUMENS

Lumen Package		C1	C2	C3	C4	C5	C6	
Power (Wattage)		28	34	45	58	77	108	
Current @ 120V (A)		0.26	0.31	0.41	0.52	0.69	0.95	
Current @ 277V (A)		0.13	0.14	0.19	0.24	0.30	0.41	
3000K CCT	Lumens	CQ Concentrated	3,293	3,997	5,256	5,486	7,107	9,084
	Lumens per Watt		118	118	117	95	92	84
	BUG Rating		B1-U0-G1	B2-U0-G1	B2-U0-G1	B2-U0-G1	B2-U0-G1	B3-U0-G1
	Lumens	MQ Medium	3,357	4,074	5,357	5,591	7,243	9,259
	Lumens per Watt		120	120	119	96	94	86
	BUG Rating		B2-U0-G1	B2-U0-G1	B2-U0-G2	B2-U0-G2	B3-U0-G2	B3-U0-G2
	Lumens	WQ Wide	3,101	3,764	4,949	5,165	6,691	8,554
	Lumens per Watt		111	111	110	89	87	79
	BUG Rating		B2-U0-G1	B2-U0-G2	B3-U0-G2	B3-U0-G2	B3-U0-G2	B3-U0-G3
	Lumens	RW Rectangular Wide	2,726	3,308	4,350	4,540	5,882	7,519
	Lumens per Watt		97	97	97	78	76	70
	BUG Rating		B2-U0-G1	B2-U0-G2	B3-U0-G2	B3-U0-G2	B3-U0-G2	B3-U0-G3
	Lumens	DL Drive Lane / Type 4	2,440	2,938	4,152	--	--	--
	Lumens per Watt		73	71	62	--	--	--
	BUG Rating		B1-U0-G2	B1-U0-G2	B2-U0-G3	--	--	--
4000K CCT	Lumens	CQ Concentrated	3,848	4,670	6,141	7,273	9,423	12,046
	Lumens per Watt		137	137	136	126	123	111
	BUG Rating		B2-U0-G1	B2-U0-G1	B2-U0-G1	B2-U0-G1	B3-U0-G1	B3-U0-G2
	Lumens	MQ Medium	3,922	4,760	6,259	7,413	9,604	12,277
	Lumens per Watt		140	140	139	128	125	114
	BUG Rating		B2-U0-G1	B2-U0-G2	B3-U0-G2	B3-U0-G2	B3-U0-G3	B3-U0-G3
	Lumens	WQ Wide	3,623	4,397	5,782	6,848	8,872	11,342
	Lumens per Watt		129	129	128	118	115	105
	BUG Rating		B2-U0-G2	B2-U0-G2	B3-U0-G2	B3-U0-G2	B3-U0-G3	B4-U0-G3
	Lumens	RW Rectangular Wide	3,185	3,865	5,082	6,019	7,799	9,969
	Lumens per Watt		114	114	113	104	101	92
	BUG Rating		B2-U0-G2	B2-U0-G2	B3-U0-G2	B3-U0-G2	B3-U0-G3	B3-U0-G3
	Lumens	DL Drive Lane / Type 4	3,235	3,895	5,506	--	--	--
	Lumens per Watt		98	95	83	--	--	--
	BUG Rating		B1-U0-G2	B1-U0-G2	B2-U0-G3	--	--	--
5000K CCT	Lumens	CQ Concentrated	3,645	4,424	5,817	7,204	9,334	11,932
	Lumens per Watt		130	130	130	124	121	110
	BUG Rating		B1-U0-G1	B2-U0-G1	B2-U0-G1	B2-U0-G1	B3-U0-G1	B3-U0-G2
	Lumens	MQ Medium	3,716	4,509	5,929	7,343	9,513	12,161
	Lumens per Watt		133	133	132	127	124	113
	BUG Rating		B2-U0-G1	B2-U0-G2	B3-U0-G2	B3-U0-G2	B3-U0-G3	B3-U0-G3
	Lumens	WQ Wide	3,433	4,166	5,478	6,783	8,788	11,235
	Lumens per Watt		123	123	122	117	114	104
	BUG Rating		B2-U0-G2	B2-U0-G2	B3-U0-G2	B3-U0-G2	B3-U0-G3	B3-U0-G3
	Lumens	RW Rectangular Wide	3,017	3,662	4,815	5,962	7,725	9,875
	Lumens per Watt		108	108	107	103	100	91
	BUG Rating		B2-U0-G2	B2-U0-G2	B3-U0-G2	B3-U0-G2	B3-U0-G3	B3-U0-G3
	Lumens	DL Drive Lane / Type 4	3,205	3,858	5,454	--	--	--
	Lumens per Watt		96	93	82	--	--	--
	BUG Rating		B1-U0-G2	B1-U0-G2	B2-U0-G3	--	--	--

NOTE: Nominal data with 70 CRI for 4000K and 5000K, 80 CRI for 3000K. Wattage values not valid for drive lane optic. For configurations that include the drive lane optic, glass, uplight or occupancy sensor options refer to the specific IES files for wattage, BUG rating and lumen output data.

**CONTROL OPTIONS**

**0-10V**

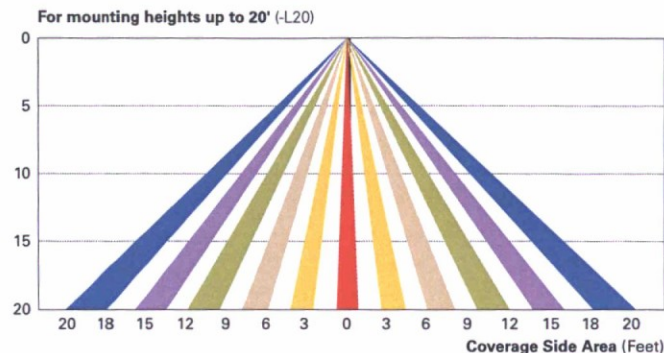
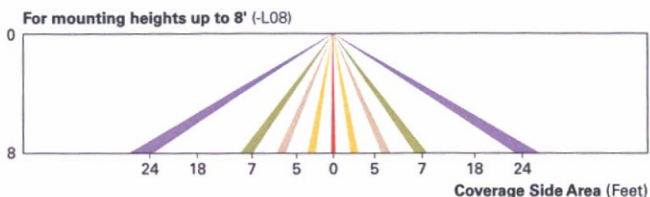
This fixture is offered standard with 0-10V dimming driver(s). External 0-10V dimming wire leads are provided for use with a lighting control panel or other control methods except when PER7, 5LTD, MS/DIM or LWR is specified.

**Dimming Occupancy Sensor (MS/DIM-LXX)**

These sensors are factory installed in the luminaire housing. When the MS/DIM-LXX sensor option is selected, the occupancy sensor is connected to a dimming driver and the entire luminaire dims when there is no activity detected. When activity is detected, the luminaire returns to full light output. The MS/DIM sensor is factory preset to dim down to approximately 50 percent power with a time delay of five minutes.

These occupancy sensors include an integral photocell that can be activated with the FSIR-100 accessory for "dusk-to-dawn" control or daylight harvesting. The factory preset is OFF. The FSIR-100 is a wireless tool utilized for changing the dimming level, time delay, sensitivity and other parameters.

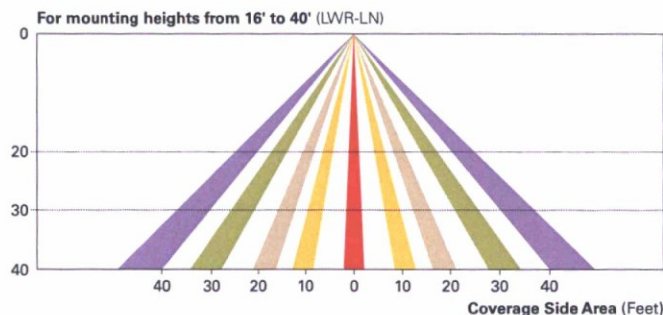
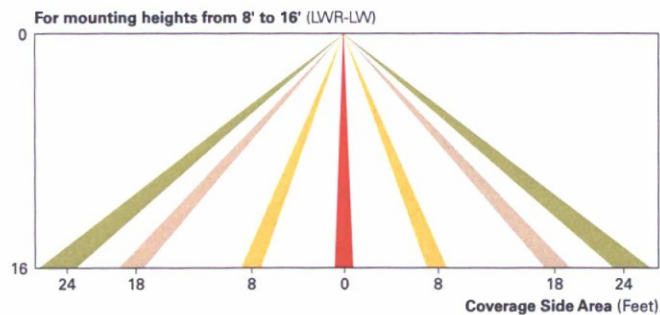
A variety of sensor lenses are available to optimize the coverage pattern for mounting heights from 8'-40'.



**LumaWatt Pro Wireless Control and Monitoring System (LWR-LW and LWR-LN)**

The LumaWatt Pro system is a peer-to-peer wireless network of luminaire-integral sensors for any sized project. Each sensor is capable of motion and photo sensing, metering power consumption and wireless communication. The end-user can securely create and manage sensor profiles with browser-based management software. The software will automatically broadcast to the sensors via wireless gateways for zone-based and individual luminaire control. The LumaWatt Pro software provides smart building solutions by utilizing the sensor to provide easy-to-use dashboard and analytic capabilities such as improved energy savings, traffic flow analysis, building management software integration and more.

For additional details, refer to the LumaWatt Pro product guides.



**ORDERING INFORMATION**

Sample Number: TT-C2-LED-E1-WQ-AP

Product Family	Lumen Package	Lamp Type	Voltage	Distribution	Mounting	Color
TT=TopTier <sup>1</sup>	C1=Nominal 3,500 Lumens C2=Nominal 4,500 Lumens C3=Nominal 6,000 Lumens C4=Nominal 7,500 Lumens C5=Nominal 9,500 Lumens C6=Nominal 12,000 Lumens	LED=Solid State Light Emitting Diodes	E1=Electrical (120-277V) 347=347V 480=480V <sup>2</sup>	CQ=Concentrated MQ=Medium WQ=Wide RW=Rectangular Wide DL=Drive Lane / Type 4 <sup>3</sup>	[BLANK]=Surface or Pendant Mount TMB=Trunnion Mount with Connection Box WM=Wall Mount DPM=Decorative Pendant Mount <sup>4</sup>	[BLANK]=White AP=Grey BZ=Bronze BK=Black DP=Dark Platinum GM=Graphite Metallic <b>ARCHITECT TO VERIFY</b>
<b>Options (Add as Suffix)</b>				<b>Accessories (Order Separately)</b>		
8030=80 CRI / 3000K 7060=70 CRI / 6000K 7050=70 CRI / 5000K UPL=Uplight <sup>5,6</sup> 30L=30" Wire Leads <sup>7</sup> HA=50°C High Ambient <sup>8</sup> CG=Clear Glass <sup>9</sup> SG=Solite® Glass <sup>10</sup> TR=Tamper Resistant Hardware X=Driver Surge Protection Only 5LTD=Fifth Light DALI Drivers <sup>7,11</sup> IBP=Integral Battery Pack <sup>12</sup> ICP=Integral Cold Weather Battery Pack <sup>12</sup> MS/DIM-L08=Dimming Occupancy Sensor (<9' Mounting) <sup>13,14</sup> MS/DIM-L20=Dimming Occupancy Sensor (9' - 20' Mounting) <sup>13,14</sup> LWR-LW=LumaWatt Wireless Sensor, Wide Lens 8' - 16' Mounting Height <sup>14,15</sup> LWR-LN=LumaWatt Wireless Sensor, Narrow Lens 16' - 40' Mounting Height <sup>14,15</sup>				FSIR-100=Wireless Configuration Tool for Occupancy Sensor MA125=Replacement 10KV Circuit Module TT/WG=Wire Guard <b>CONFIRM IF NEEDED</b> T1/BG-XX=Bird Guard <sup>16,17</sup> DPMS36-XX=36" Pendant Mount Stem <sup>16</sup> DPMS48-XX=48" Pendant Mount Stem <sup>16</sup> DPMS96-XX=96" Pendant Mount Stem <sup>16</sup>		

- NOTES:**
- DesignLights Consortium™ Qualified. Refer to [www.designlights.org](http://www.designlights.org) Qualified Products List under Family Models for details.
  - Only for use with 480V Wye systems. Per NEC, not for use with ungrounded systems, impedance grounded systems or corner grounded systems (commonly known as Three Phase Three Wire Delta, Three Phase High Leg Delta and Three Phase Corner Grounded Delta systems).
  - C1-C3 lumen packages only.
  - Order stem kit accessory.
  - Extended lead times apply.
  - Additional 17W. Provides 800 nominal lumens. Available in 3000K and 4000K with the C1-C4 lumen packages at a 25°C maximum ambient temperature. Not available with 347, 480, TMB, WM, HA, 5LTD, IBP or ICP.
  - Not available with TMB or DPM mounting.
  - HA not available with C5 and C6 lumen packages or 5LTD, IBP and ICP options.
  - Not available with CQ.
  - Standard with CQ, option available with WQ only.
  - Replace E1 with specific voltage (120, 208, 240, 277V available). Not available with C6 lumen package, HA, IBP, ICP or sensor options. Multiply published IES file by .95 when used with the C5 lumen package.
  - Replace E1 with specific voltage (120V and 277V available). 0°C minimum with IBP, -20°C minimum with ICP, 25°C maximum ambient temperature. Not available with WM, DPM, 5LTD or HA.
  - The FSIR-100 configuration tool is required to adjust parameters including high and low modes, sensitivity, time delay, cutoff and more. Consult your lighting representative at Eaton for more information.
    - Includes integral photocell.
    - LumaWatt wireless sensors are factory installed only requiring network components in appropriate quantities. See [www.eaton.com/lighting](http://www.eaton.com/lighting) for LumaWatt application information.
    - Specify color in place of XX.
    - Designed for use with pendant mounting only.



# D-Series Size 1 LED Wall Luminaire



Catalog  
Number

Notes

Type **SLB**

Hit the Tab key or mouse over the page to view additional page elements.

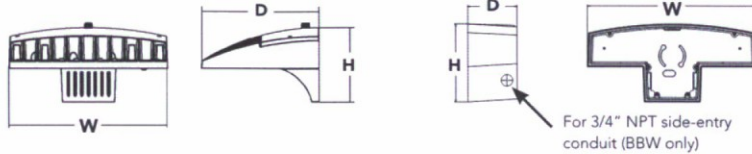
d<sup>series</sup>

## Specifications Luminaire

<b>Width:</b>	13-3/4" (34.9 cm)	<b>Weight:</b>	12 lbs (5.4 kg)
<b>Depth:</b>	10" (25.4 cm)		
<b>Height:</b>	6-3/8" (16.2 cm)		

## Back Box (BBW, ELCW)

<b>Width:</b>	13-3/4" (34.9 cm)	<b>BBW Weight:</b>	5 lbs (2.3 kg)
<b>Depth:</b>	4" (10.2 cm)	<b>ELCW Weight:</b>	10 lbs (4.5 kg)
<b>Height:</b>	6-3/8" (16.2 cm)		



## Introduction

The D-Series Wall luminaire is a stylish, fully integrated LED solution for building-mount applications. It features a sleek, modern design and is carefully engineered to provide long-lasting, energy-efficient lighting with a variety of optical and control options for customized performance.

With an expected service life of over 20 years of nighttime use and up to 74% in energy savings over comparable 250W metal halide luminaires, the D-Series Wall is a reliable, low-maintenance lighting solution that produces sites that are exceptionally illuminated.

## Ordering Information

**EXAMPLE:** DSXW1 LED 20C 1000 40K T3M MVOLT DDBTXD

### DSXW1 LED

Series	LEDs	Drive Current	Color temperature	Distribution	Voltage	Mounting	Control Options
DSXW1 LED	10C 10 LEDs (one engine)	350 350 mA 530 530 mA	30K 3000 K 40K 4000 K 50K 5000 K	T2S Type II Short T2M Type II Medium T3S Type III Short T3M Type III Medium T4M Type IV Medium	MVOLT <sup>1</sup> 120 <sup>1</sup> 208 <sup>1</sup> 240 <sup>1</sup> 277 <sup>1</sup> 347 <sup>2</sup> 480 <sup>2</sup>	Shipped included (blank) Surface mounting bracket BBW Surface-mounted back box (for conduit entry) <sup>3</sup>	Shipped installed PE Photoelectric cell, button type <sup>4</sup> DMG 0-10V dimming driver (no controls) PIR 180° motion/ambient light sensor, <15' mtg ht <sup>5</sup> PIRH 180° motion/ambient light sensor, 15-30' mtg ht <sup>5</sup> PIR1FC3V Motion/ambient sensor, 8-15' mounting height, ambient sensor enabled at 1ft <sup>5</sup> PIRH1FC3V Motion/ambient sensor, 15-30' mounting height, ambient sensor enabled at 1ft <sup>5</sup> ELCW Emergency battery backup (includes external component enclosure) <sup>6</sup>
	20C 20 LEDs (two engines)	700 700 mA 1000 1000 mA (1 A)	AMBPC Amber phosphor converted	TFTM Forward Throw Medium ASYDF Asymmetric diffuse			

Other Options	Finish (required)
<b>Shipped installed</b> SF Single fuse (120, 277 or 347V) <sup>7</sup> DF Double fuse (208, 240 or 480V) <sup>7</sup> HS House-side shield <sup>8</sup> SPD Separate surge protection <sup>9</sup>	DDBXD Dark bronze DBLXD Black DNAXD Natural aluminum DWHXD White DSSXD Sandstone DDBTXD Textured dark bronze DBLBXD Textured black DNATXD Textured natural aluminum DWHGXD Textured white DSSTXD Textured sandstone

## Accessories

Ordered and shipped separately.

DSXWHS U	House-side shield (one per light engine)
DSXWBSW U	Bird-deterrent spikes
DSXW1WG U	Wire guard accessory
DSXW1VG U	Vandal guard accessory

### NOTES

- MVOLT driver operates on any line voltage from 120-277V (50/60 Hz). Specify 120, 208, 240 or 277 options only when ordering with fusing (SF, DF options), or photocontrol (PE option).
- Only available with 20C, 700mA or 1000mA. Not available with PIR or PIRH.
- Back box ships installed on fixture. Cannot be field installed. Cannot be ordered as an accessory.
- Photocontrol (PE) requires 120, 208, 240, 277 or 347 voltage option. Not available with motion/ambient light sensors (PIR or PIRH).
- PIR and PIR1FC3V specifies the Sensor Switch SBGR-10-ODP control; PIRH specifies the Sensor Switch SBGR-6-ODP control; see Motion Sensor Guide for details. Includes ambient light sensor. Not available with "PE" option (button type photocell). Dimming driver standard. Not available with 20 LED/1000 mA configuration (DSXW1 LED 20C 1000).
- Cold weather (-20C) rated. Not compatible with conduit entry applications. Not available with BBW mounting option. Not available with fusing. Not available with 347 or 480 voltage options. Emergency components located in back box housing. Emergency mode IES files located on product page at [www.lithonia.com](http://www.lithonia.com)
- Single fuse (SF) requires 120, 277 or 347 voltage option. Double fuse (DF) requires 208, 240 or 480 voltage option. Not available with ELCW.
- Also available as a separate accessory; see Accessories information.
- See the electrical section on page 3 for more details.



# Performance Data

## Lumen Output

\* values are from photometric tests performed in accordance with IESNA LM-79-08. Data is considered to be representative of the configurations shown, within the tolerances allowed by Lighting Facts.  
† factory for performance data on any configurations not shown here.

LEDs	Drive Current (mA)	System Watts	Dist. Type	30K					40K					50K					AMBER				
				Lumens	B	U	G	LPW	Lumens	B	U	G	LPW	Lumens	B	U	G	LPW	Lumens	B	U	G	LPW
(10 LEDs)	350mA	14W	T2S	1,415	0	0	1	101	1,520	0	0	1	109	1,529	0	0	1	109	894	0	0	1	64
			T2M	1,349	0	0	1	96	1,449	0	0	1	104	1,458	0	0	1	104	852	0	0	1	61
			T3S	1,400	0	0	1	100	1,503	0	0	1	107	1,512	0	0	1	108	884	0	0	1	63
			T3M	1,386	0	0	1	99	1,488	0	0	1	106	1,497	0	0	1	107	876	0	0	1	63
			T4M	1,358	0	0	1	97	1,458	0	0	1	104	1,467	0	0	1	105	858	0	0	1	61
			TFTM	1,411	0	0	1	101	1,515	0	0	1	108	1,525	0	0	1	109	892	0	0	1	64
	530 mA	20W	ASDYF	1,262	0	0	1	90	1,355	1	0	1	97	1,363	1	0	1	97	797	0	0	1	57
			T2S	2,054	1	0	1	103	2,205	1	0	1	110	2,219	1	0	1	111	1,264	0	0	1	63
			T2M	1,957	1	0	1	98	2,102	1	0	1	105	2,115	1	0	1	106	1,205	0	0	1	60
			T3S	2,031	0	0	1	102	2,181	0	0	1	109	2,195	0	0	1	110	1,250	0	0	1	63
			T3M	2,010	1	0	1	101	2,159	1	0	1	108	2,172	1	0	1	109	1,237	0	0	1	62
			T4M	1,970	1	0	1	99	2,115	1	0	1	106	2,128	0	0	1	106	1,212	0	0	1	61
	700 mA	27W	TFTM	2,047	0	0	1	102	2,198	0	0	1	110	2,212	0	0	1	111	1,260	0	0	1	63
			ASDYF	1,830	1	0	1	92	1,966	1	0	1	98	1,978	1	0	1	99	1,127	0	0	1	56
			T2S	2,623	1	0	1	97	2,816	1	0	1	104	2,834	1	0	1	105	1,544	0	0	1	57
			T2M	2,499	1	0	1	93	2,684	1	0	1	99	2,701	1	0	1	100	1,472	0	0	1	55
			T3S	2,593	1	0	1	96	2,785	1	0	1	103	2,802	1	0	1	104	1,527	0	0	1	57
			T3M	2,567	1	0	1	95	2,757	1	0	1	102	2,774	1	0	1	103	1,512	0	0	1	56
	1000 mA	40W	T4M	2,515	1	0	1	93	2,701	1	0	1	100	2,718	1	0	1	101	1,481	0	0	1	55
			TFTM	2,614	1	0	1	97	2,807	1	0	1	104	2,825	1	0	1	105	1,539	0	0	1	57
			ASDYF	2,337	1	0	1	87	2,510	1	0	1	93	2,526	1	0	1	94	1,376	0	0	1	51
			T2S	3,685	1	0	1	92	3,957	1	0	1	99	3,982	1	0	1	100	2,235	1	0	1	58
			T2M	3,512	1	0	1	88	3,771	1	0	1	94	3,795	1	0	1	95	2,130	1	0	2	55
			T3S	3,644	1	0	1	91	3,913	1	0	1	98	3,938	1	0	1	98	2,210	1	0	2	57
(20 LEDs)	350mA	24W	T3M	3,607	1	0	1	90	3,874	1	0	1	97	3,898	1	0	1	97	2,187	1	0	2	56
			T4M	3,534	1	0	1	88	3,795	1	0	1	95	3,819	1	0	1	95	2,143	1	0	2	55
			TFTM	3,674	1	0	1	92	3,945	1	0	1	99	3,969	1	0	1	99	2,228	1	0	2	57
			ASDYF	3,284	1	0	1	82	3,527	1	0	1	88	3,549	1	0	1	89	1,991	1	0	2	51
			T2S	2,820	1	0	1	118	3,028	1	0	1	126	3,047	1	0	1	127	1,777	1	0	1	74
			T2M	2,688	1	0	1	112	2,886	1	0	1	120	2,904	1	0	1	121	1,693	1	0	1	71
	530 mA	36W	T3S	2,789	1	0	1	116	2,995	1	0	2	125	3,013	1	0	2	126	1,757	0	0	1	73
			T3M	2,761	1	0	1	115	2,964	1	0	2	124	2,983	1	0	2	124	1,739	1	0	1	72
			T4M	2,705	1	0	1	113	2,904	1	0	2	121	2,922	1	0	2	122	1,704	1	0	1	71
			TFTM	2,811	1	0	1	117	3,019	1	0	2	126	3,038	1	0	2	127	1,771	0	0	1	74
			ASDYF	2,513	1	0	1	105	2,699	1	0	2	112	2,716	1	0	2	113	1,584	1	0	1	66
			T2S	4,079	1	0	1	113	4,380	1	0	1	122	4,408	1	0	1	122	2,504	1	0	1	70
	700 mA	47W	T2M	3,887	1	0	1	108	4,174	1	0	1	116	4,200	1	0	1	117	2,387	1	0	1	66
			T3S	4,034	1	0	1	112	4,332	1	0	1	120	4,359	1	0	1	121	2,477	1	0	1	69
			T3M	3,993	1	0	1	111	4,288	1	0	1	119	4,315	1	0	1	120	2,451	1	0	2	68
			T4M	3,912	1	0	2	109	4,201	1	0	2	117	4,227	1	0	1	117	2,402	1	0	1	67
			TFTM	4,066	1	0	1	113	4,367	1	0	1	121	4,394	1	0	1	122	2,496	1	0	1	69
			ASDYF	3,635	1	0	2	101	3,904	1	0	2	108	3,928	1	0	2	109	2,232	1	0	1	62
	1000 mA	74W	T2S	5,188	1	0	1	110	5,571	1	0	1	119	5,606	1	0	1	119	3,065	1	0	1	65
			T2M	4,945	1	0	1	105	5,310	1	0	1	113	5,343	1	0	1	114	2,921	1	0	1	62
			T3S	5,131	1	0	1	109	5,510	1	0	2	117	5,544	1	0	2	118	3,031	1	0	1	64
			T3M	5,079	1	0	2	108	5,454	1	0	2	116	5,488	1	0	2	117	3,000	1	0	1	64
			T4M	4,976	1	0	2	106	5,343	1	0	2	114	5,377	1	0	2	114	2,939	1	0	1	63
			TFTM	5,172	1	0	2	110	5,554	1	0	2	118	5,589	1	0	2	119	3,055	1	0	1	65
1000 mA	74W	ASDYF	4,624	1	0	2	98	4,966	1	0	2	106	4,997	1	0	2	106	2,732	1	0	1	58	
		T2S	7,205	1	0	1	97	7,736	1	0	1	105	7,785	1	0	1	105	4,429	1	0	1	61	
		T2M	6,866	1	0	2	93	7,373	1	0	2	100	7,419	1	0	2	100	4,221	1	0	2	58	
		T3S	7,124	1	0	2	96	7,650	1	0	2	103	7,698	1	0	2	104	4,380	1	0	2	60	
		T3M	7,052	1	0	2	95	7,736	1	0	2	105	7,620	1	0	2	103	4,335	1	0	2	59	
		T4M	6,910	1	0	2	93	7,420	1	0	2	100	7,466	1	0	2	101	4,248	1	0	2	58	
1000 mA	74W	TFTM	7,182	1	0	2	97	7,712	1	0	2	104	7,760	1	0	2	105	4,415	1	0	2	60	
		ASDYF	6,421	1	0	2	87	6,895	2	0	2	93	6,938	2	0	2	94	3,947	1	0	2	54	

## Performance Data

### Lumen Ambient Temperature (LAT) Multipliers

Use these factors to determine relative lumen output for average ambient temperatures from 0-40°C (32-104°F).

Ambient		Lumen Multiplier
0°C	32°F	1.02
10°C	50°F	1.01
20°C	68°F	1.00
<b>25°C</b>	<b>77°F</b>	<b>1.00</b>
30°C	86°F	1.00
40°C	104°F	0.98

### Projected LED Lumen Maintenance

Data references the extrapolated performance projections for the **DSXW1 LED 20C 1000** platform in a **25°C ambient**, based on 10,000 hours of LED testing (tested per IESNA LM-80-08 and projected per IESNA TM-21-11).

To calculate LLF, use the lumen maintenance factor that corresponds to the desired number of operating hours below. For other lumen maintenance values, contact factory.

Operating Hours	0	25,000	50,000	100,000
Lumen Maintenance Factor	1.0	0.95	0.93	0.88

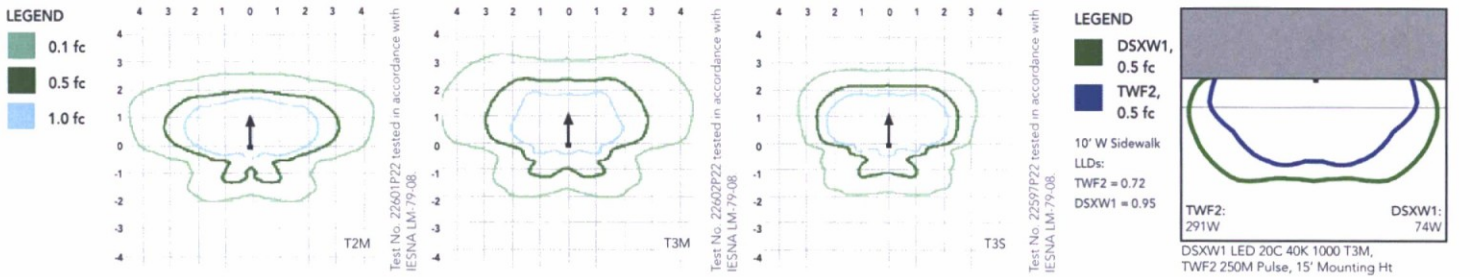
## Electrical Load

LEDs	Drive Current (mA)	System Watts	Current (A)					
			120V	208V	240V	277V	347V	480V
10C	350	14 W	0.13	0.07	0.06	0.06	-	-
	530	20 W	0.19	0.11	0.09	0.08	-	-
	700	27 W	0.25	0.14	0.13	0.11	-	-
	1000	40 W	0.37	0.21	0.19	0.16	-	-
20C	350	24 W	0.23	0.13	0.12	0.10	-	-
	530	36 W	0.33	0.19	0.17	0.14	-	-
	700	47 W	0.44	0.25	0.22	0.19	0.15	0.11
	1000	74 W	0.69	0.40	0.35	0.30	0.23	0.17

## Photometric Diagrams

To see complete photometric reports or download .ies files for this product, visit Lithonia Lighting's [D-Series Wall Size 1 homepage](#).

Isfootcandle plots for the DSXW1 LED 20C 1000 40K. Distances are in units of mounting height (15').



## Options and Accessories



T3M (left), ASYDF (right) lenses



HS - House-side shields



BSW - Bird-deterrent spikes



WG - Wire guard



VG - Vandal guard



DDL - Diffused drop lens

## FEATURES & SPECIFICATIONS

### INTENDED USE

The energy savings, long life and easy-to-install design of the D-Series Wall Size 1 make it the smart choice for building-mounted doorway and pathway illumination for nearly any facility.

### CONSTRUCTION

Two-piece die-cast aluminum housing has integral heat sink fins to optimize thermal management through conductive and convective cooling. Modular design allows for ease of maintenance. The LED driver is mounted to the door to thermally isolate it from the light engines for low operating temperature and long life. Housing is completely sealed against moisture and environmental contaminants (IP65).

### FINISH

Exterior parts are protected by a zinc-infused Super Durable TGIC thermoset powder coat finish that provides superior resistance to corrosion and weathering. A tightly controlled multi-stage process ensures a minimum 3 mils thickness for a finish that can withstand extreme climate changes without cracking or peeling. Available in textured and non-textured finishes.

### OPTICS

Precision-molded proprietary acrylic lenses provide multiple photometric distributions tailored specifically to building mounted applications. Light engines are available in 3000 K (70 min. CRI), 5000 K (70 min. CRI) or 5000 K (70 min. CRI) configurations.

### ELECTRICAL

Light engine(s) consist of 10 high-efficacy LEDs mounted to a metal-core circuit board to maximize heat dissipation and promote long life (L88/100,000 hrs at 25°C). Class 1 electronic drivers have a

power factor >90%, THD <20%, and a minimum 2.5KV surge rating. When ordering the SPD option, a separate surge protection device is installed within the luminaire which meets a minimum Category C Low (per ANSI/IEEE C62.41.2).

### INSTALLATION

Included universal mounting bracket attaches securely to any 4" round or square outlet box for quick and easy installation. Luminaire has a slotted gasket wireway and attaches to the mounting bracket via corrosion-resistant screws.

### LISTINGS

CSA certified to U.S. and Canadian standards. Rated for -40°C minimum ambient.

DesignLights Consortium® (DLC) qualified product. Not all versions of this product may be DLC qualified. Please check the DLC Qualified Products List at [www.designlights.org](http://www.designlights.org) to confirm which versions are qualified.

### WARRANTY

Five-year limited warranty. Complete warranty terms located at [www.acuitybrands.com/CustomerResources/Terms\\_and\\_conditions.aspx](http://www.acuitybrands.com/CustomerResources/Terms_and_conditions.aspx).

**Note:** Actual performance may differ as a result of end-user environment and application. All values are design or typical values, measured under laboratory conditions at 25 °C. Specifications subject to change without notice.







TYPE	PROJECT	FIRM	TYPE <b>SLC</b>
------	---------	------	-----------------

<b>CONTROL</b>	<b>DIMMING</b>	110-277VAC, ELV TYPE 0.07%-100%, REVERSE PHASE, TRAILING EDGE
<b>PHYSICAL</b>	<b>DIMENSIONS</b>	W 1.6" x H 2" x L 12"/48"; (41.6mm x 50.5mm x 304.7mm/1201mm)
	<b>HOUSING / LENS</b>	EXTRUDED ALUMINUM; UV STABILIZED POLYCARBONATE; STAINLESS STEEL FASTENERS; PLASTIC ENDCAPS RUBBER OVERMOLD FOR CABLE ASSEMBLY
	<b>WEIGHT</b>	1.52LBS / 0.69KG (1FT) ; 4.95LBS / 2.25KG (4FT)
	<b>CONNECTORS</b>	INTEGRAL MALE/ FEMALE CONNECTORS
	<b>ENVIRONMENT</b>	INDOOR • ETL CERTIFIED FOR DRY/DAMP LOCATIONS IP54 OUTDOOR • ETL CERTIFIED FOR WET LOCATIONS IP66 IMPACT RATED TO IK10
	<b>BEAM ANGLE</b>	GRAZING, WASHING, COVE, ASYMETRIC, LINE OF LIGHT
	<b>MOUNTING OPTIONS</b>	INTEGRAL MOUNTING AND ADJUSTABLE AIMING FROM 0°-180° IN 15° INCREMENTS

<b>FIXTURE RATING &amp; CERTIFICATIONS</b>	CE, ETL CERTIFIED RoHS COMPLIANT ENERGY STAR COMPLIANT DLC COMPLIANT RCM CERTIFIED	     
--	--	--

**LIMITED WARRANTY 5 YEARS**

**WIRING OPTIONS (MVOLT): 110-277VAC**

Power Cable Assembly, TROV, Leader/Jumper, 10 foot.....	<b>CBL-3P-L-UNV-10*</b>
Power Cable Assembly, TROV, Leader/Jumper, 50 foot.....	<b>CBL-3P-L-UNV-50*</b>
Power Cable Assembly, TROV, Jumper, 5 foot.....	<b>CBL-3P-L-UNV-05**</b>
Power Cable Assembly, TROV, Jumper, 1 foot.....	<b>CBL-3P-L-UNV-01**</b>
Power Cable Assembly, TROV, Male and Female terminator caps.....	<b>CBL-3P-L-UNV-CAPS</b>

\*Two (2) terminators are included with the 10' and 50' power cable. One Leader need per circuit/fixture run. Cables are not plenum rated.  
\*\* If using the 5' or 1' power cable assembly as a leader to power a run one set of CBL-3P-L-UNV-CAPS will also be need per cable.

**0-10V CONTROL OPTIONS**

0-10VAC / 277VAC Linear Dimming Control Module 0-10V - Plenum Rated ..... **LDCM-PL-120-277-010V-GR**

All products come standard with ELV dimming capabilities. 0-10V Control options required for operation at 0-10V.

**OPTIONAL ACCESSORIES**

**Mounting**

Mounting Track and Clips Set, 48 Inch Track, 8 Clips.....	<b>MNT-L-TRKCLIP-48</b>	48" track and clips set will work with one 48" fixture or four 12" fixtures.
Mounting Track and Clips Set, 12 Inch Track, 2 Clips.....	<b>MNT-L-TRKCLIP-12</b>	12" track will not work with 48" fixtures.
Mounting Track Clip, TROV, Set of 2.....	<b>MNT-L-CLIP</b>	Clips needed = 12" fixtures need 1 set of 2 and 48" fixture needs 2 sets of 2.
90 Degree L bracket, TROV, Set of 2.....	<b>MNT-L-LBKT</b>	L-Brackets needed = 12" fixtures need 1 set of 2 and 48" fixture needs 1 set of 2.
Angle Locking Clip, TROV, Pack of 10.....	<b>MNT-L-ANGLOCK</b>	Angle Locks needed = 12" fixtures need 1 and 48" fixtures need 2. (Included with fixtures)
Mounting, Fine Adjustment Bracket, TROV.....	<b>MNT-L-FAB</b>	Fine Adjustment Brackets needed = 12" fixtures need 1 and 48" fixtures need 2.
*Fine Adjustment Bracket is highly recommended for Grazing Optics.		
Mounting, Fine Adjustment L-Bracket, TROV.....	<b>MNT-L-LFAB</b>	Fine Adjustment L-Brackets needed = 12" fixtures need 1 and 48" fixtures need 2.
*Fine Adjustment L-Bracket is recommended for Asymetric Optics when aiming is needed.		

**Snap-on Lenses**

Snap-on Lens, Frosted, 12 inch, L50.....	<b>LENS-L50-FROST-12</b>	Snap-on Lenses need = One 12" lens is needed per 12" fixture and one 48" lens is needed per 48" fixture. Snap on Lenses will not work with the asymmetric fixture. Clear lenses can be used to hold colored filters to customize the output color of any TROV fixture, except the ASYM. Color filters supplied by others.
Snap-on Lens, Frosted, 48 inch, L50.....	<b>LENS-L50-FROST-48</b>	
Snap-on Lens, Clear, 12 inch, L50.....	<b>LENS-L50-CLEAR-12</b>	
Snap-on Lens, Clear, 48 inch, L50.....	<b>LENS-L50-CLEAR-48</b>	

**Wall Mount Arm**

Wall Mount Arm, 6 inch, TROV.....	<b>WMA-L-CA-06</b>	Wall Mount Arms needed = For individual fixture installations two arms and one end set will be needed per fixture. For continuous run installation one endset will be needed per run. Each end set contains one left and one right end plate. One joining set will be needed per joint. One arm per fixture will be need plus one extra arm to complete the run. For example: A 10ft run made with two 4ft and two 1ft fixtures will contain; 1 x WMA-L-END, 3 x WMA-L-JNR, and 5 x WMA-L-CA-12. Leader cables are not included with wall mount arms, end sets, or joiners sets.
Wall Mount Arm, 12 inch, TROV.....	<b>WMA-L-CA-12</b>	
Wall Mount Arm, 18 inch, TROV.....	<b>WMA-L-CA-18</b>	
Wall Mount Arm, 24 inch, TROV.....	<b>WMA-L-CA-24</b>	
Wall Mount Arm End Plate Set, TROV, Includes Left and Right.....	<b>WMA-L-END</b>	
Wall Mount Arm Joiner Plate, TROV.....	<b>WMA-L-JNR</b>	

**Louvers**

Louver, Asymmetric, 12 inch, L50.....	<b>LV-L50-ASYM-12</b>	Louvers Needed = One 12" louver is needed per 12" fixture and one 48" louver is needed per 48" fixture. 48" louver is made up of four 12" louvers. Louvers cannot be used with the asymmetric fixture
Louver, Asymmetric, 48 inch, L50.....	<b>LV-L50-ASYM-48</b>	
Louver, Symmetric, 12 inch, L50.....	<b>LV-L50-SYM-12</b>	
Louver, Symmetric, 48 inch, L50.....	<b>LV-L50-SYM-48</b>	
Louver, Honeycomb, 12 inch, L50.....	<b>LV-L50-HCOMB-12</b>	
Louver, Honeycomb, 48 inch, L50.....	<b>LV-L50-HCOMB-48</b>	

DATE	PROJECT	FIRM	TYPE	SLC
------	---------	------	------	-----

### OPTIONAL ACCESSORIES

#### Masking Plates

- Masking Plate, 3 inch high, 12 inch, L50 & L35 ..... MP-L50-3H-12
- Masking Plate, 3 inch high, 48 inch, L50 & L35 ..... MP-L50-3H-48

Masking Plates needed = One 12" lens is needed per 12" fixture and one 48" lens is needed per 48" fixture.

#### Landscape Stake

- Landscape Stake, 6 inch, TROV, Set of 2 ..... LS-L-STK-06
- Landscape Stake, 12 inch, TROV, Set of 2 ..... LS-L-STK-12
- Landscape Stake, 18 inch, TROV, Set of 2 ..... LS-L-STK-18

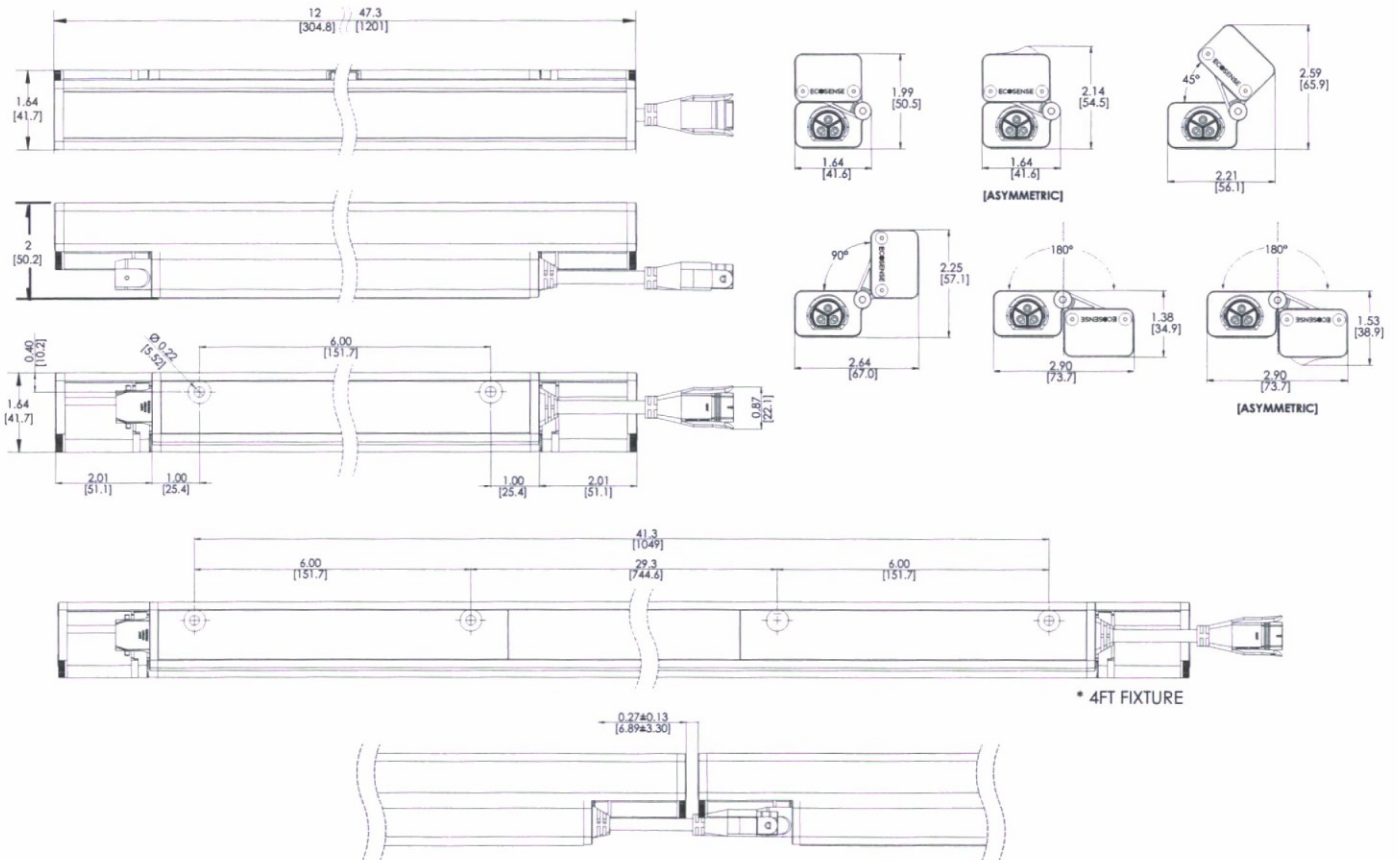
Landscape Stakes needed = 12" and 48" fixtures both need one set of 2.

#### Wire Box

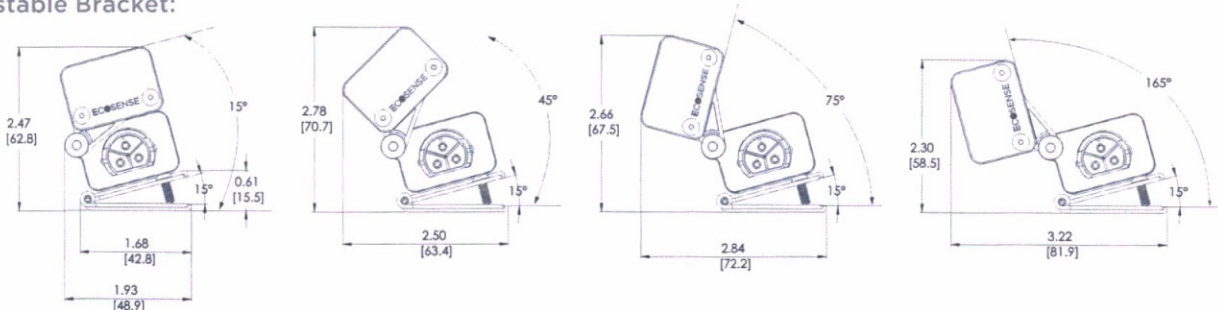
- Conduit Connection, Wire Box, TROV, Interior Only, L50 ..... CC-L-WIREBOX

Wire box can be used instead of a leader cable to start a run. 1/2" conduit fitting can attach directly to the box on one end and the fixture to the other.

### DIMENSIONS + MOUNTING



### Fine Adjustable Bracket:



**ECOSENSE LIGHTING INC.**  
 837 NORTH SPRING STREET  
 SUITE 103  
 LOS ANGELES, CA 90012

**P • 310.496.6255**  
**F • 310.496.6256**  
**T • 855.632.6736**  
 855.6.ECOSEN

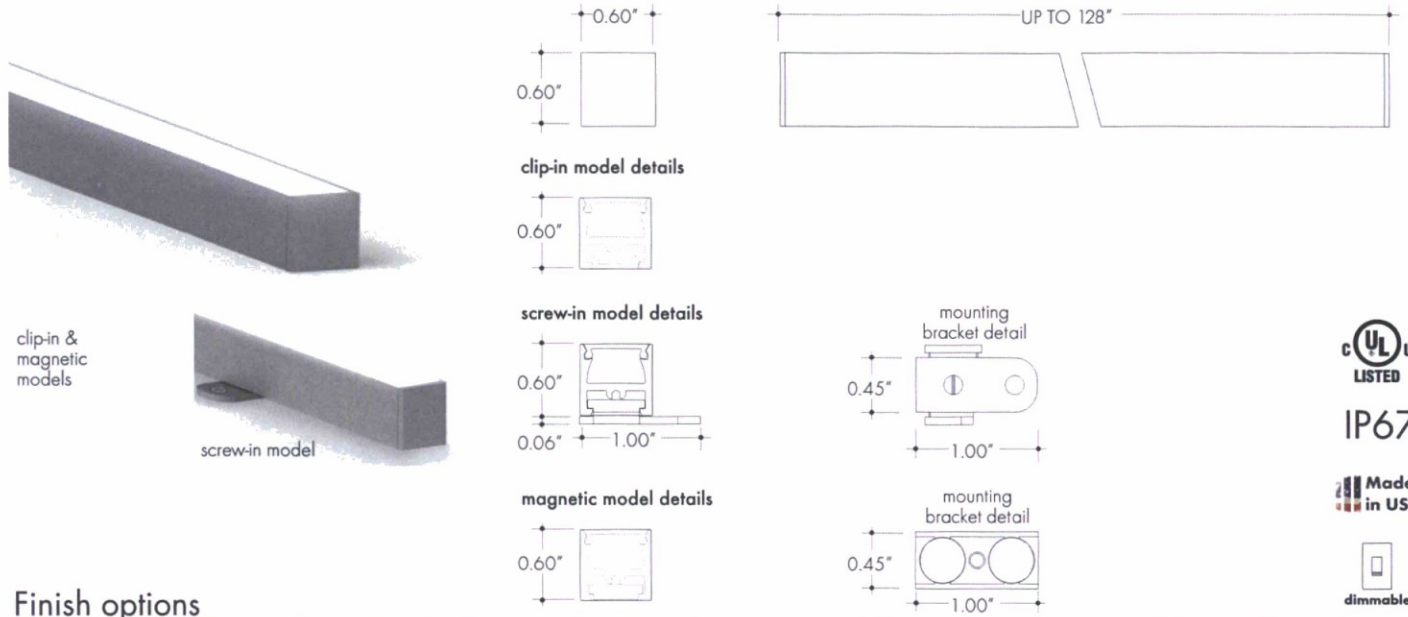
SPECIFICATIONS SUBJECT TO CHANGE WITHOUT NOTICE. VISIT [ECOSENSELIGHTING.COM](http://ECOSENSELIGHTING.COM) FOR THE MOST CURRENT SPECIFICATIONS.  
 © 2017 ECOSENSE LIGHTING INC. ALL RIGHTS RESERVED. ECOSENSE, THE ECOSENSE LOGO, RISE, TROV, SLIM COVE AND ECOSPEC ARE REGISTERED TRADEMARKS OF ECOSENSE LIGHTING INC.  
**FREEDOM TO CREATE™**

[ECOSENSELIGHTING.COM](http://ECOSENSELIGHTING.COM)

3/3

# Bosca Dot Free Wet | Linear Illumination system for wet locations

Extruded aluminum linear illumination system, Bosca Dot Free wet is available in sections up to 128". Specifically designed LED engine provides constant illumination levels from the beginning to the end of the runs. Bosca Dot Free wet is suitable for cove lighting, architectural accents, under or above cabinets, display cases and many other applications. Class 2 listed for wet locations.



## Finish options



## Technical information

Output type	Output Options		
	SO (LL72-LO)	HO (LL54)	VHO (LL72)
Lumens at 4000K (Dot Free lens)	116 lum/ft	169 lum/ft	232 lum/ft
Average power consumption at 4'	4.0 W/ft	5.4 W/ft	6.5 W/ft
Maximum system length <i>Achievable via feed through fixture wiring.</i>	24'	26'	18'
Operating Voltage	24VDC	24VDC	24VDC

CCT / LUMEN MULTIPLIER	
Color temperature	Multiplier <small>(Multiple Light Output of 4000K HO)</small>
2700 K	0.73
3000 K	0.81
3500 K	0.86
4000 K	1.00

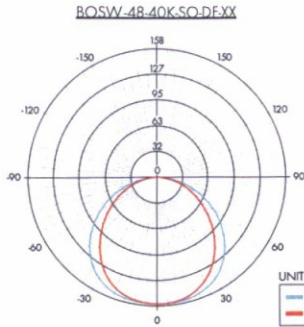
## Ordering code

MODEL	LENGTH	CCT	OUTPUT	LENS	MOUNTING	FINISH	POWER FEED
BOSW	12	27K	SO	F	C	SA	F1
BOSW - Bosca Wet	12" - 128" 4" increments	27K - 2700K 30K - 3000K 35K - 3500K 40K - 4000K	SO - Standard HO - High VHO - Very High	DF - Dot Free	C - Clip-in S - Screw-in	SA - Silver BK - Black BZ - Bronze WH - White <small>(BK,BZ,WH finishes will have an upcharge and require longer lead times)</small>	F1 - 72" wire leads F2 - 72" wire leads at one end and quick connect at other F3 - Single quick connect F4 - Dual quick connect FB1 - Backfeed 72" wire leads FB2 - Backfeed 72" wire leads at one end and quick connect at other FB3 - Backfeed single quick connect FB4 - Backfeed dual quick connect

**26-DR-2017#3**  
**10/16/17**

Bosca Wet | Linear Illumination system for wet locations

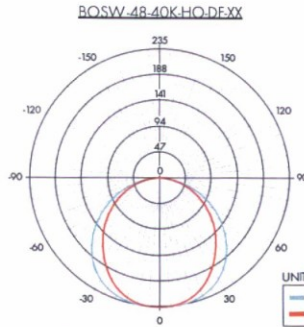
Photometry



Zonal Lumen Summary 4000K

Zone	Lumen	% Fixture
0-30	125	27%
0-40	207	45%
0-60	367	79%
0-90	459	99%
Total 0-180	463	100%

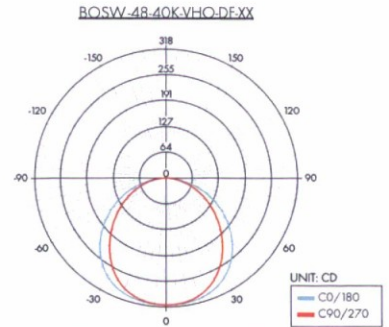
Beam Angle



Zonal Lumen Summary 4000K

Zone	Lumen	% Fixture
0-30	186	27%
0-40	306	45%
0-60	539	80%
0-90	672	99%
Total 0-180	677	100%

Beam Angle



Zonal Lumen Summary 4000K

Zone	Lumen	% Fixture
0-30	251	27%
0-40	415	45%
0-60	737	79%
0-90	919	99%
Total 0-180	927	100%

Beam Angle



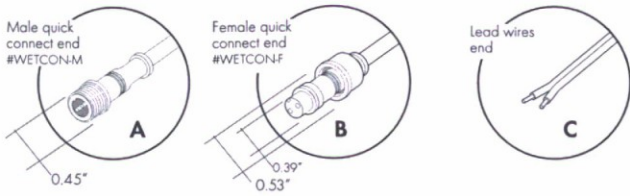
Power consumption per fixture length

Based on operation with PSD series of power supplies.

Nominal Length	Actual Length	SO		Actual Length	HO		Actual Length	VHO	
		W/ft	Total wattage		W/ft	Total wattage		W/ft	Total wattage
12"	12-10/16"	4.20	4.20	12-10/16"	5.35	5.30	12-10/16"	6.75	6.75
16"	16-5/16"	4.23	5.66	16-9/16"	5.33	7.06	16-5/16"	6.75	9.00
20"	20-4/16"	4.27	7.12	20-9/16"	5.31	8.82	20-4/16"	6.75	11.25
24"	24-5/16"	4.30	8.60	24-7/16"	5.30	10.60	24-5/16"	6.75	13.50
28"	28-6/16"	4.20	9.77	28-6/16"	5.28	12.33	28-6/16"	6.75	16.75
32"	32-5/16"	4.10	10.94	32-5/16"	5.26	14.06	32-5/16"	6.75	19.00
36"	36-4/16"	4.00	12.10	36-4/16"	5.25	15.80	36-4/16"	6.65	19.95
40"	40-3/16"	4.00	13.43	40-3/16"	5.23	17.40	40-3/16"	6.65	22.20
44"	44-3/16"	4.00	14.76	44-2/16"	5.21	19.00	44-3/16"	6.65	24.40
48"	48-1/16"	4.00	16.10	48-2/16"	5.20	20.60	48-1/16"	6.55	26.20
52"	52-1/16"	3.97	17.27	52"	5.18	22.40	52-1/16"	6.55	28.50
56"	55-15/16"	3.95	18.44	55-15/16"	5.16	24.20	55-15/16"	6.55	30.50
60"	59-14/16"	3.92	19.60	59-14/16"	5.15	26.00	59-14/16"	6.45	32.25
64"	63-13/16"	3.89	20.73	63-13/16"	5.13	27.60	63-13/16"	6.45	34.40
68"	68-13/16"	3.86	21.86	67-12/16"	5.11	29.20	68-13/16"	6.45	36.55
72"	72-5/16"	3.83	23.00	71-11/16"	5.10	30.80	72-5/16"	6.40	38.40
76"	76-6/16"	3.80	24.06	75-10/16"	5.08	32.40	76-6/16"	6.40	40.50
80"	80-5/16"	3.83	25.12	79-9/16"	5.06	34.00	80-5/16"	6.40	43.00
84"	84-5/16"	3.74	26.20	83-9/16"	5.05	35.70	84-5/16"	6.25	43.75
88"	88-7/16"	3.73	27.33	87-6/16"	5.03	37.10	88-7/16"	6.25	46.00
92"	92-6/16"	3.71	28.46	91-6/16"	5.01	38.50	92-6/16"	6.25	48.00
96"	96-5/16"	3.70	29.60	96-10/16"	5.00	40.00	96-5/16"	6.15	49.20
100"	100-4/16"	3.67	30.56	100-9/16"	4.98	41.60	100-4/16"	6.15	51.25
104"	104-4/16"	3.64	31.53	104-5/16"	4.96	43.20	104-4/16"	6.15	53.00
108"	108-1/16"	3.61	32.50	108-7/16"	4.95	44.80	108-1/16"	6.00	54.00
112"	112-1/16"	3.59	33.46	112-6/16"	4.93	46.20	112-1/16"	6.00	56.00
116"	116-1/16"	3.56	34.43	116-5/16"	4.91	47.60	116-1/16"	6.00	58.00
120"	119-14/16"	3.54	35.40	120-5/16"	4.90	48.90	119-14/16"	5.90	59.00
124"	123-13/16"	3.52	36.36	124-3/16"	4.88	50.40	123-13/16"	5.90	60.60
128"	128-1/16"	3.50	37.33	128-3/16"	4.86	51.90	128-1/16"	5.90	62.20

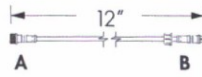


Connectors

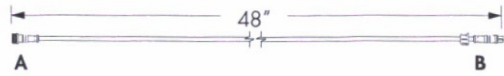


Linking and Extension Cable

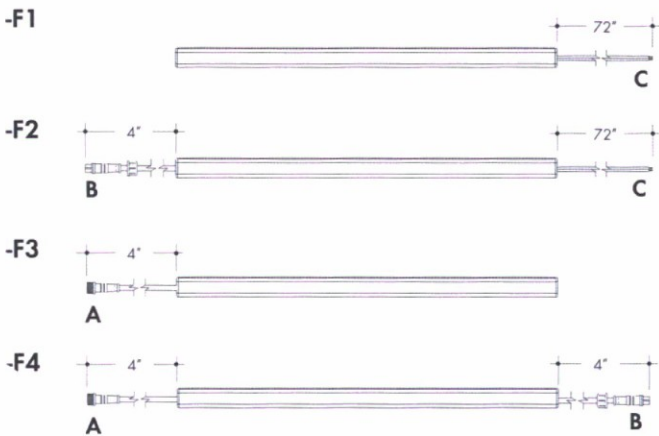
Male/female Joiner 12" - Part # IP67-12



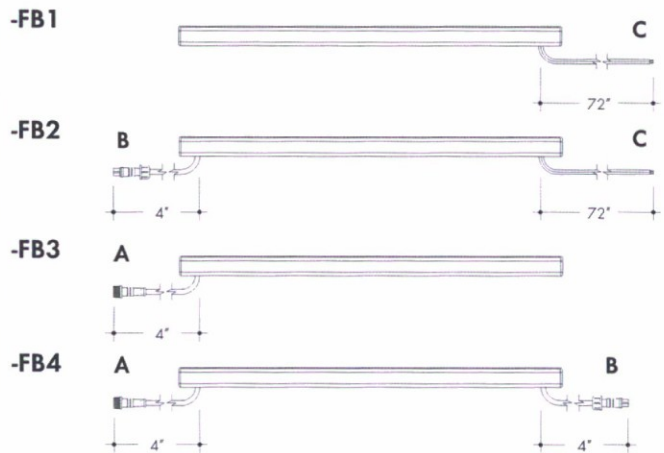
Male/female Joiner 48" - Part # IP67-48



Powerfeed options



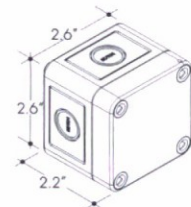
Backfeed Powerfeed options



Accessories

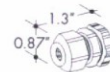
Splice Box:  
Wet rated, low voltage splice box, gray

Part # LVSP-WET

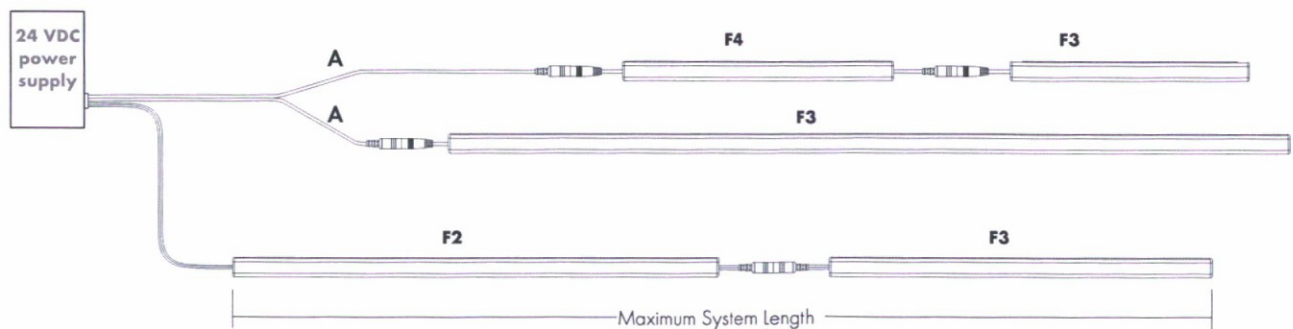


Connector:  
low voltage splice box wet cable management gray

Part # LVSP-WET-CM



Sample layout of powerfeed connections



**Bosca Wet** | Linear Illumination system for wet locations

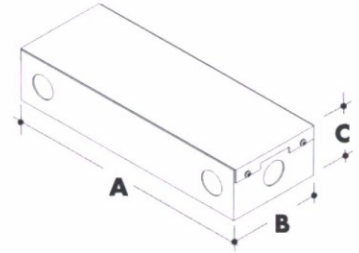
**Power supply**

See fixture and power supply instructions & spec sheet for wiring information. Dimming possible in select models - view Luminii website for list of compatible dimmers.

**Non-Dimming:**

MODEL	POWER	OUTPUT	DIMMING	LOCATION
<b>PSV</b>	<b>40</b>	<b>24V</b>	<b>U2ND</b>	<b>D</b>
PSV - PSV Series	40 - 40 W 60 - 60 W 96 - 96 W	24 - 24 VDC	U2ND - Non Dimming	D - Dry Location IP65 - Wet Location

MODELS	PSV Dry	PSV Wet
<b>A Length</b>	9.2"	9.5"
<b>B Width</b>	3.4"	4.12"
<b>C Depth</b>	1.9"	2.3"

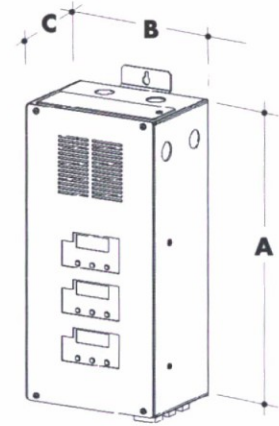


**Dimming 0-10V:**

MODEL	POWER	OUTPUT	DIMMING
<b>PS010V</b>	<b>3X100</b>	<b>24</b>	<b>LIN</b>
PS010V - 0-10V Power Supply dims down to 0%	3X100 - 3 X 100 WATT	24 - 24 VDC	LIN - Linear LOG - Logarithmic

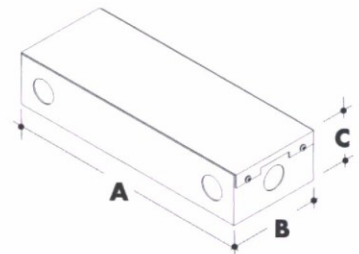
- features eldoLED's LINEARdrive configurable 0-10V drivers

MODELS	PSD010V
<b>A Length</b>	15.75"
<b>B Width</b>	6.60"
<b>C Depth</b>	4.80"



MODEL	POWER	OUTPUT	DIMMING	LOCATION
<b>PSV</b>	<b>40</b>	<b>24V</b>	<b>U2DIM</b>	<b>D</b>
PSV - PSV Series dims down to 5%	40 - 40 W 60 - 60 W 96 - 96 W	24 - 24 VDC	U2DIM - Dimming 0-10V	D - Dry Location IP65 - Wet Location

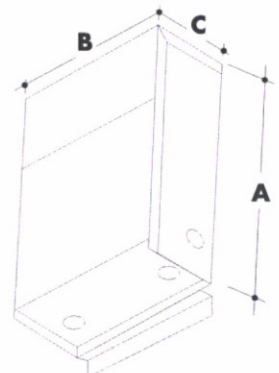
MODELS	PSV Dry	PSV Wet
<b>A Length</b>	9.2"	9.5"
<b>B Width</b>	3.4"	4.12"
<b>C Depth</b>	1.9"	2.3"



**Dimming Magnetic low voltage:**

MODEL	POWER	OUTPUT	INPUT
<b>PSD</b>	<b>48</b>	<b>24</b>	
PSD - PSD Series dims down to 0%	48 - 48 W 96 - 96 W 288 - 288 W (3x 96W)	24 - 24 VDC	Blank - 120 V 240 - 240 V 277 - 277 V

MODELS	PSD 48	PSD 96	PSD 288
<b>A Length</b>	11.25"	11.25"	13.06"
<b>B Width</b>	3.42"	3.42"	8.42"
<b>C Depth</b>	3.42"	3.27"	4.47"



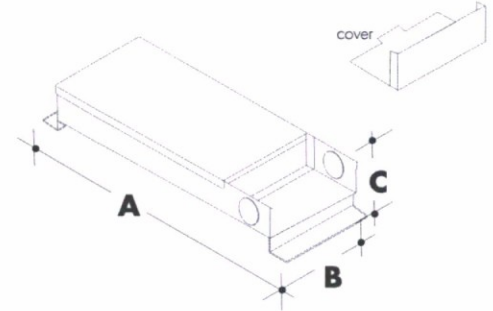
**Bosca Wet** | Linear Illumination system for wet locations

**Power supply**

See fixture and power supply instructions & spec sheet for wiring information. Dimming possible in select models - view Luminii website for list of compatible dimmers.

**Dimming Electronic low voltage:**

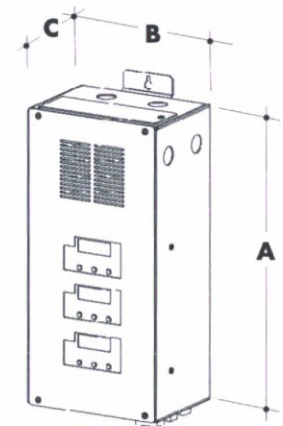
MODEL	CIRCUIT x POWER	OUTPUT	INPUT
<b>CVE</b>	<b>48D</b>	<b>24V</b>	
CVE - CVE Series dims down to 0.1%	48D - 48W 48X2D - 2 x 48W 48X3D - 3 x 48W 48X4D - 4 x 48W 96D - 96W 96X2D - 2 x 96W 96X3D - 3 x 96W 96X4D - 4 x 96W	24 - 24 VDC	Blank - 120 V 277 - 240/277 V



MODELS	Single circuit	Dual circuit	Three circuit	Four circuit
<b>A Length</b>	13.9"	13.8"	13.8"	13.8"
<b>B Width</b>	2.3"	4.0"	5.9"	7.75"
<b>C Depth</b>	1.3"	1.9"	1.9"	1.9"

**DMX & DALI:**

MODEL	POWER	OUTPUT
<b>PSDMX</b>	<b>3X100</b>	<b>24</b>
PSDMX - DMX Power Supply PSDALI - DALI Power Supply dims down to 0%	3X100 - 3 X 100 WATT	24 - 24 VDC



- Features eldoLED's LINEARdrive configurable dimmable drivers

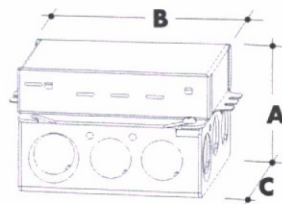
MODELS	PSDMX	PSDALI
<b>A Length</b>	15.75"	15.75"
<b>B Width</b>	6.60"	6.60"
<b>C Depth</b>	4.80"	4.80"

Luminii is a Lutron OEM Advantage Partner

MODEL
<b>LTEA4U1UKL-CV240</b>
Lutron - HiLume™ 1% 2-wire LED driver (120V forward phase only)

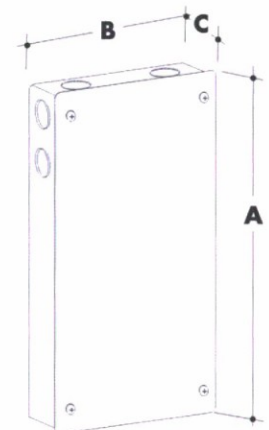
MODELS	LTEA	L3DA
<b>A Length</b>	4.89"	4.89"
<b>B Width</b>	2.66"	2.66"
<b>C Depth</b>	4.00"	4.00"

MODEL
<b>L3DA4U1UKL-CV240</b>
HiLume™ 1% EcoSystem Voltage LED Driver



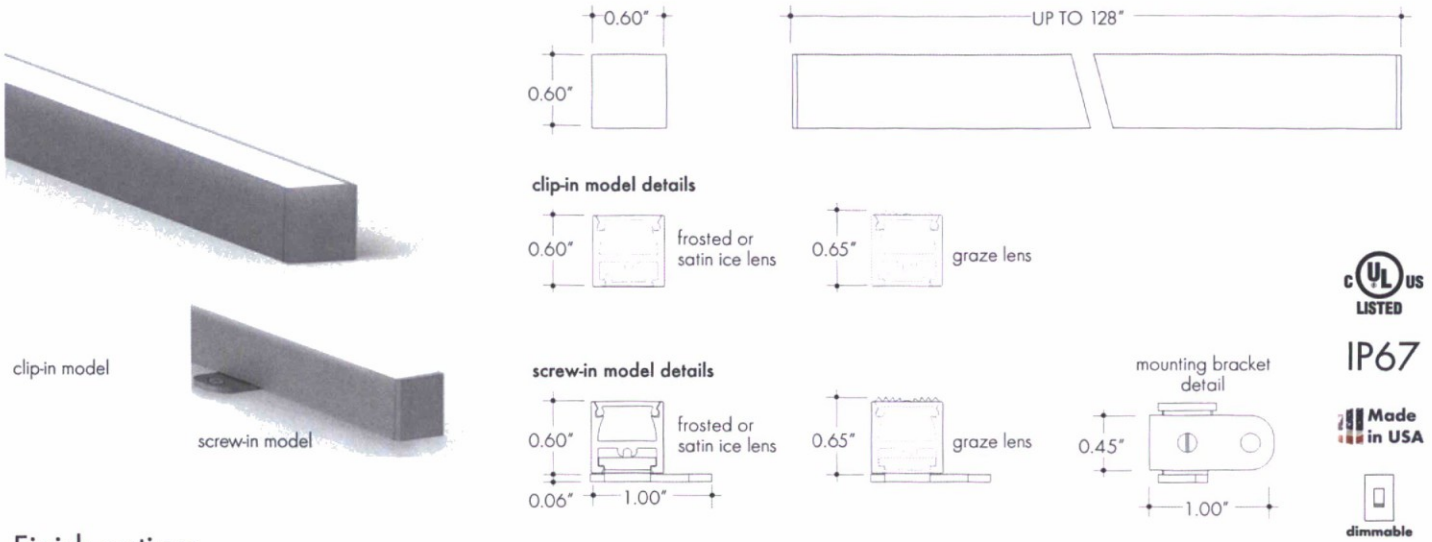
MODEL
<b>L3D0-96W24V-U</b>
HiLume™ 0.1% EcoSystem Voltage LED Driver with Soft-On, Fade-to-Black™

MODELS	L3D0
<b>A Length</b>	10.50"
<b>B Width</b>	5.50"
<b>C Depth</b>	2.00"



# Bosca Wet | Linear Illumination system for wet locations

Extruded aluminum linear illumination system, Bosca wet is available in sections up to 128". Specifically designed LED engine provides constant illumination levels from the beginning to the end of the runs. Bosca wet is suitable for cove lighting, architectural accents, under or above cabinets, display cases and many other applications. Class 2 listed for wet locations.



## Finish options



## Technical information

Output type	Output Options		
	SO (LL36)	HO (LL54)	VHO (LL72)
Lumens at 3000K (Satin ice lens)	125 lum/ft	218 lum/ft	287 lum/ft
Average power consumption at 4'	3.2 W/ft	5.2 W/ft	6.5 W/ft
Maximum system length <i>Achievable via feed through fixture wiring.</i>	35'	26'	18'
CRI	90+	90+	90+
Operating Voltage	24VDC	24VDC	24VDC

### CCT/LUMEN MULTIPLIER

Color temperature	Multiplier <small>(Multiple Light Output of 3000K HO)</small>
2700 K	0.90
3000 K	1.00
3500 K	1.06
4000 K	1.23

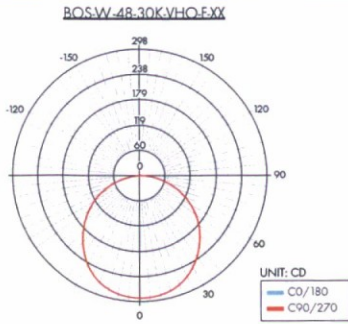
## Ordering code

<b>MODEL</b>	<b>LENGTH</b>	<b>CCT</b>	<b>OUTPUT</b>	<b>LENS</b>	<b>MOUNTING</b>	<b>FINISH</b>	<b>POWER FEED</b>
<b>BOSW</b>	<b>12</b>	<b>27K</b>	<b>SO</b>	<b>F</b>	<b>C</b>	<b>SA</b>	<b>F1</b>
BOSW - Bosca Wet	12" - 128" 4" increments	27K - 2700K 30K - 3000K 35K - 3500K 40K - 4000K	SO - Standard HO - High VHO - Very High	F - Frosted SI - Satin Ice G - Graze	C - Clip-in S - Screw-in	SA - Silver BK - Black BZ - Bronze WH - White <small>(BK,BZ,WH finishes will have an upcharge and require longer lead times)</small>	F1 - 72" wire leads F2 - 72" wire leads at one end and quick connect at other F3 - Single quick connect F4 - Dual quick connect FB1 - Backfeed 72" wire leads FB2 - Backfeed 72" wire leads at one end and quick connect at other FB3 - Backfeed single quick connect FB4 - Backfeed dual quick connect

**26-DR-2017#3**  
**10/16/17**

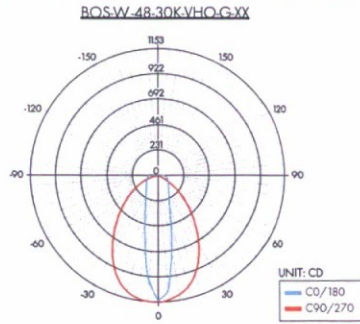
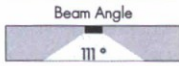
Bosca Wet | Linear Illumination system for wet locations

Photometry



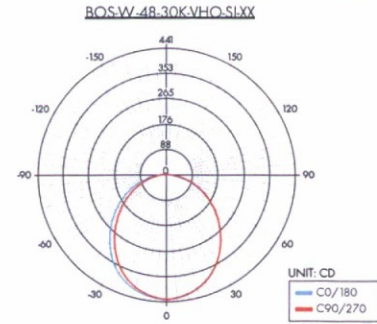
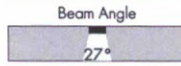
Zonal Lumen Summary 3000K

Zone	Lumen	% Fixture
0-30	232	27%
0-40	380	44%
0-60	671	72%
0-90	864	99%
Total	872	100%



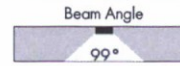
Zonal Lumen Summary 3000K

Zone	Lumen	% Fixture
0-30	529	40%
0-40	731	55%
0-60	1032	78%
0-90	1259	95%
Total	1320	100%



Zonal Lumen Summary 3000K

Zone	Lumen	% Fixture
0-30	334	29%
0-40	536	47%
0-60	909	79%
0-90	1137	99%
Total	1148	100%



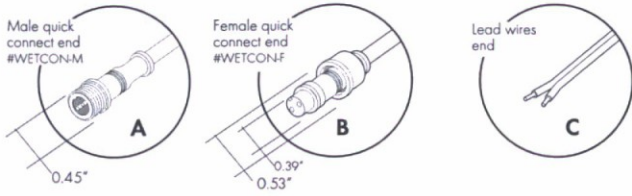
Power consumption per fixture length

Based on operation with PSD series of power supplies.



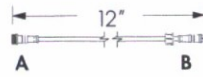
Nominal Length	Actual Length	SO		HO		VHO			
		W/ft	Total wattage	Actual Length	W/ft	Total wattage	Actual Length	W/ft	Total wattage
12"	12-12/16"	3.25	3.25	12-10/16"	5.35	5.30	12-10/16"	6.75	6.75
16"	16-8/16"	3.25	4.00	16-9/16"	5.33	7.06	16-5/16"	6.75	9.00
20"	20-8/16"	3.25	5.25	20-9/16"	5.31	8.82	20-4/16"	6.75	11.25
24"	24-7/16"	3.25	6.50	24-7/16"	5.30	10.60	24-5/16"	6.75	13.50
28"	28-6/16"	3.25	7.75	28-6/16"	5.28	12.33	28-6/16"	6.75	16.75
32"	32-5/16"	3.25	8.50	32-5/16"	5.26	14.06	32-5/16"	6.75	19.00
36"	36-4/16"	3.25	9.75	36-4/16"	5.25	15.80	36-4/16"	6.65	19.95
40"	40-3/16"	3.25	10.25	40-3/16"	5.23	17.40	40-3/16"	6.65	22.20
44"	44-1/16"	3.20	11.75	44-2/16"	5.21	19.00	44-3/16"	6.65	24.40
48"	48-1/16"	3.20	12.80	48-2/16"	5.20	20.60	48-1/16"	6.55	26.20
52"	52"	3.20	13.30	52"	5.18	22.40	52-1/16"	6.55	28.50
56"	55-15/16"	3.20	14.80	55-15/16"	5.16	24.20	55-15/16"	6.55	30.50
60"	59-14/16"	3.20	16.00	59-14/16"	5.15	26.00	59-14/16"	6.45	32.25
64"	63-13/16"	3.20	17.00	63-13/16"	5.13	27.60	63-13/16"	6.45	34.40
68"	67-12/16"	3.15	18.00	67-12/16"	5.11	29.20	68-13/16"	6.45	36.55
72"	71-11/16"	3.15	18.90	71-11/16"	5.10	30.80	72-5/16"	6.40	38.40
76"	75-10/16"	3.15	19.00	75-10/16"	5.08	32.40	76-6/16"	6.40	40.50
80"	79-9/16"	3.15	21.50	79-9/16"	5.06	34.00	80-5/16"	6.40	43.00
84"	83-8/16"	3.15	22.05	83-9/16"	5.05	35.70	84-5/16"	6.25	43.75
88"	87-7/16"	3.15	23.00	87-6/16"	5.03	37.10	88-7/16"	6.25	46.00
92"	91-6/16"	3.10	24.00	91-6/16"	5.01	38.50	92-6/16"	6.25	48.00
96"	95-6/16"	3.10	24.80	96-10/16"	5.00	40.00	96-5/16"	6.15	49.20
100"	99-4/16"	3.10	26.30	100-9/16"	4.98	41.60	100-4/16"	6.15	51.25
104"	103-2/16"	3.05	27.10	104-5/16"	4.96	43.20	104-4/16"	6.15	53.00
108"	107-2/16"	3.05	28.00	108-7/16"	4.95	44.80	108-1/16"	6.00	54.00
112"	111-1/16"	3.05	28.50	112-6/16"	4.93	46.20	112-1/16"	6.00	56.00
116"	115"	3.05	30.00	116-5/16"	4.91	47.60	116-1/16"	6.00	58.00
120"	118-15/16"	3.00	30.50	120-5/16"	4.90	48.90	119-14/16"	5.90	59.00
124"	122-14/16"	3.00	31.50	124-3/16"	4.88	50.40	123-13/16"	5.90	60.60
128"	126-13/16"	3.00	32.50	128-3/16"	4.86	51.90	128-1/16"	5.90	62.20

Connectors

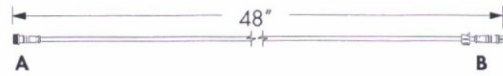


Linking and Extension Cable

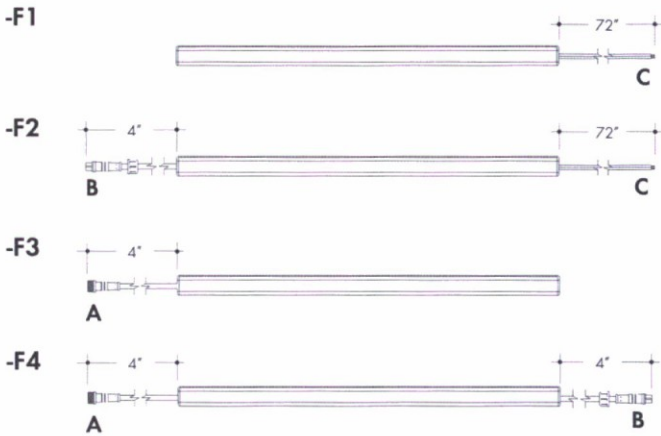
Male/female Joiner 12" - Part # IP67-12



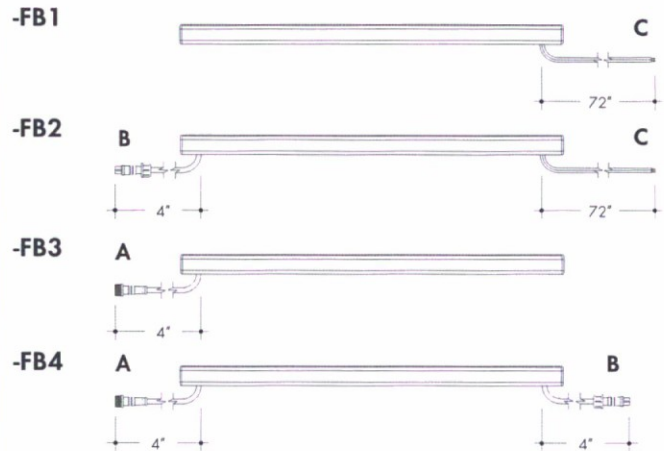
Male/female Joiner 48" - Part # IP67-48



Powerfeed options



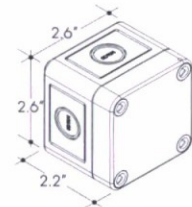
Backfeed Powerfeed options



Accessories

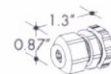
Splice Box:  
Wet rated, low voltage splice box, gray

Part # LVSP-WET

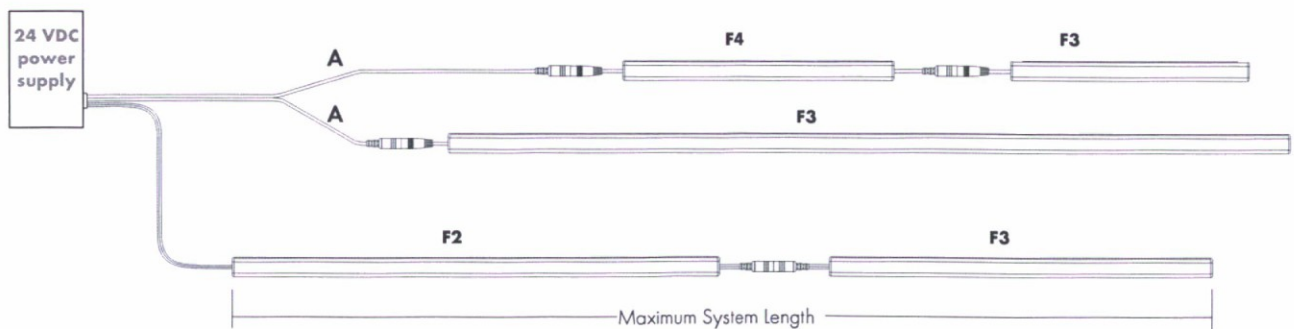


Connector:  
low voltage splice box wet cable management gray

Part # LVSP-WET-CM



Sample layout of powerfeed connections



**Bosca Wet** | Linear Illumination system for wet locations

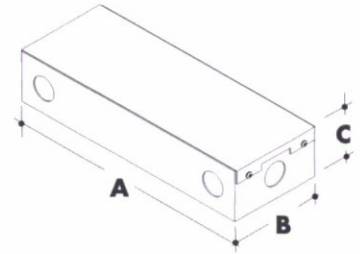
**Power supply**

See fixture and power supply instructions & spec sheet for wiring information. Dimming possible in select models - view Luminii website for list of compatible dimmers.

**Non-Dimming:**

MODEL	POWER	OUTPUT	DIMMING	LOCATION
<b>PSV</b>	<b>40</b>	<b>24V</b>	<b>U2ND</b>	<b>D</b>
PSV - PSV Series	40 - 40 W 60 - 60 W 96 - 96 W	24 - 24 VDC	U2ND - Non Dimming	D - Dry Location IP65 - Wet Location

MODELS	PSV Dry	PSV Wet
<b>A Length</b>	9.2"	9.5"
<b>B Width</b>	3.4"	4.12"
<b>C Depth</b>	1.9"	2.3"

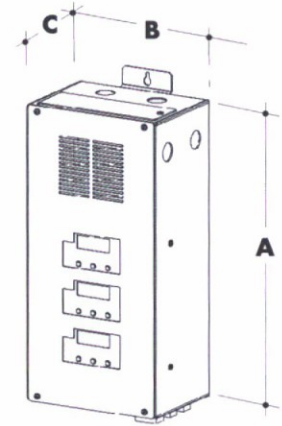


**Dimming 0-10V:**

MODEL	POWER	OUTPUT	DIMMING
<b>PS010V</b>	<b>3X100</b>	<b>24</b>	<b>LIN</b>
PS010V - 0-10V Power Supply dims down to 0%	3X100 - 3 X 100 WATT	24 - 24 VDC	LIN - Linear LOG - Logarithmic

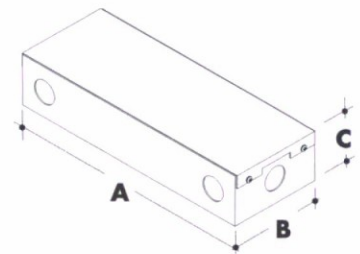
- features eldoLED's LINEARdrive configurable 0-10V drivers

MODELS	PSD010V
<b>A Length</b>	15.75"
<b>B Width</b>	6.60"
<b>C Depth</b>	4.80"



MODEL	POWER	OUTPUT	DIMMING	LOCATION
<b>PSV</b>	<b>40</b>	<b>24V</b>	<b>U2DIM</b>	<b>D</b>
PSV - PSV Series dims down to 5%	40 - 40 W 60 - 60 W 96 - 96 W	24 - 24 VDC	U2DIM - Dimming 0-10V	D - Dry Location IP65 - Wet Location

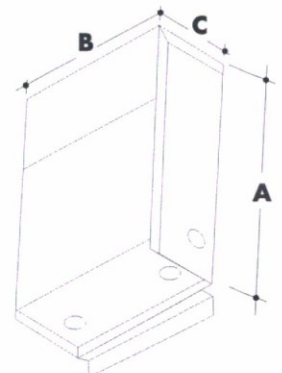
MODELS	PSV Dry	PSV Wet
<b>A Length</b>	9.2"	9.5"
<b>B Width</b>	3.4"	4.12"
<b>C Depth</b>	1.9"	2.3"



**Dimming Magnetic low voltage:**

MODEL	POWER	OUTPUT	INPUT
<b>PSD</b>	<b>48</b>	<b>24</b>	
PSD - PSD Series dims down to 0%	48 - 48 W 96 - 96 W 288 - 288 W (3x 96W)	24 - 24 VDC	Blank - 120 V 240 - 240 V 277 - 277 V

MODELS	PSD 48	PSD 96	PSD 288
<b>A Length</b>	11.25"	11.25"	13.06"
<b>B Width</b>	3.42"	3.42"	8.42"
<b>C Depth</b>	3.42"	3.27"	4.47"



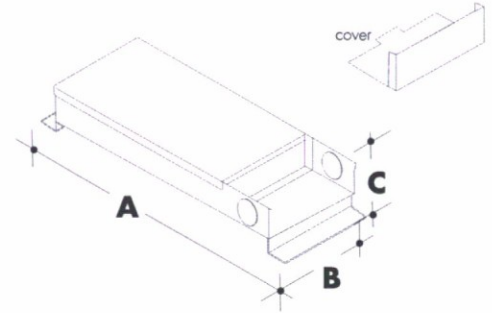
**Bosca Wet** | Linear Illumination system for wet locations

**Power supply**

See fixture and power supply instructions & spec sheet for wiring information. Dimming possible in select models - view Luminii website for list of compatible dimmers.

**Dimming Electronic low voltage:**

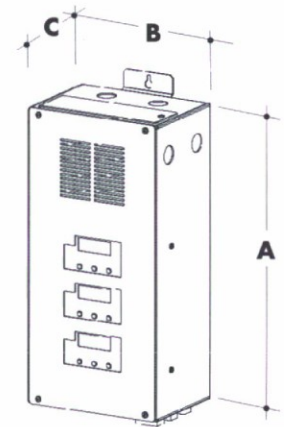
MODEL	CIRCUIT x POWER	OUTPUT	INPUT
<b>CVE</b>	<b>48D</b>	<b>24V</b>	
CVE - CVE Series dims down to 0.1%	48D - 48W 48X2D - 2 x 48W 48X3D - 3 x 48W 48X4D - 4 x 48W 96D - 96W 96X2D - 2 x 96W 96X3D - 3 x 96W 96X4D - 4 x 96W	24 - 24 VDC	Blank - 120 V 277 - 240/277 V



MODELS	Single circuit	Dual circuit	Three circuit	Four circuit
<b>A Length</b>	13.9"	13.8"	13.8"	13.8"
<b>B Width</b>	2.3"	4.0"	5.9"	7.75"
<b>C Depth</b>	1.3"	1.9"	1.9"	1.9"

**DMX & DALI:**

MODEL	POWER	OUTPUT
<b>PSDMX</b>	<b>3X100</b>	<b>24</b>
PSDMX - DMX Power Supply PSDALI - DALI Power Supply dims down to 0%	3X100 - 3 X 100 WATT	24 - 24 VDC



- Features eldoLED's LINEARdrive configurable dimmable drivers

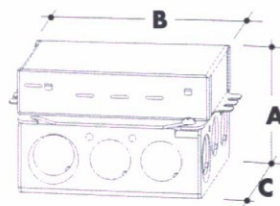
MODELS	PSDMX	PSDALI
<b>A Length</b>	15.75"	15.75"
<b>B Width</b>	6.60"	6.60"
<b>C Depth</b>	4.80"	4.80"

Luminii is a Lutron OEM Advantage Partner

MODEL
<b>LTEA4U1UKL-CV240</b>
Lutron -Hi-lume™ 1% 2-wire LED driver (120V forward phase only)

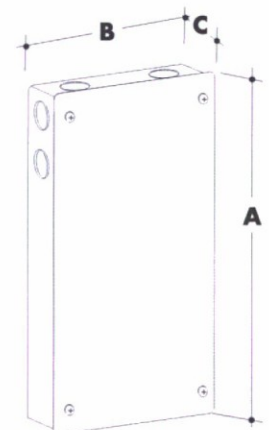
MODELS	LTEA	L3DA
<b>A Length</b>	4.89"	4.89"
<b>B Width</b>	2.66"	2.66"
<b>C Depth</b>	4.00"	4.00"

MODEL
<b>L3DA4U1UKL-CV240</b>
Hi-lume™ 1% EcoSystem Voltage LED Driver



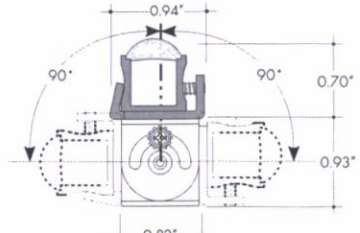
MODEL
<b>L3DO-96W24V-U</b>
Hi-lume™ 0.1% EcoSystem Voltage LED Driver with Soft-On, Fade-to-Black™

MODELS	L3DO
<b>A Length</b>	10.50"
<b>B Width</b>	5.50"
<b>C Depth</b>	2.00"



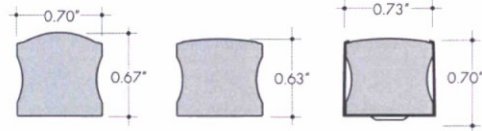
**Kendo M Wet** | Linear illumination system

Extruded aluminum linear illumination system, Kendo M Wet is available in sections up to 116". Specifically designed LED engine provides constant illumination levels from the beginning to the end of the runs. Kendo M Wet is suitable for cove lighting, architectural accents, under or above cabinets, display cases, and many other applications. Class 2 listed for wet location installations.



**profile dimensions**

Adjustable mounting bracket allows 90° tilt in both directions.



with medium lens

with clear, half-frosted, and frosted linear lens

with fixed mounting clips and linear lens

**IP67**

**Made in USA**



**Finish options**



**Technical information**

Output type	Output Options			
	SO (LL18)	MO (LL36)	HO (LL54)	VHO (LL72)
Lumens at 4000K (Clear lens)	74 lum/ft	149 lum/ft	209 lum/ft	291 lum/ft
Average power consumption at 4'	1.6 W/ft	3.2 W/ft	5.2 W/ft	6.5 W/ft
Maximum system length <i>Achievable via feed through fixture wiring.</i>	80'	35'	26'	18'
CRI	90+	90+	90+	90+
Operating Voltage	24VDC	24VDC	24VDC	24VDC

**CCT / LUMEN MULTIPLIER**

Color temperature	Multiplier <small>(Multiple Light Output of 4000K HO)</small>
2700 K	0.73
3000 K	0.81
3500 K	0.86
4000 K	1.00

**Ordering code**

MODEL	LENGTH	CCT	OUTPUT	LENS	MOUNTING	FINISH	POWER FEED
<b>KMW</b>	<b>12</b>	<b>27K</b>	<b>SO</b>	<b>C</b>	<b>A</b>	<b>SA</b>	<b>F1</b>

KMW - Kendo M Wet

12" - 116" 4" increments

27K - 2700K  
30K - 3000K  
35K - 3500K  
40K - 4000K

SO - Standard  
MO - Medium  
HO - High  
VHO - Very-High

C - Clear  
F - Frosted\*  
M - Medium  
HF - Half Frosted

A - Adjustable  
F - Fixed

SA - Silver  
BK - Black  
BZ - Bronze  
WH - White

(BK, BZ, WH finishes will have an upcharge and require longer lead times)

F1 - 72" wire leads  
F2 - 72" wire leads at one end and quick connect at other  
F3 - Single quick connect  
F4 - Dual quick connect

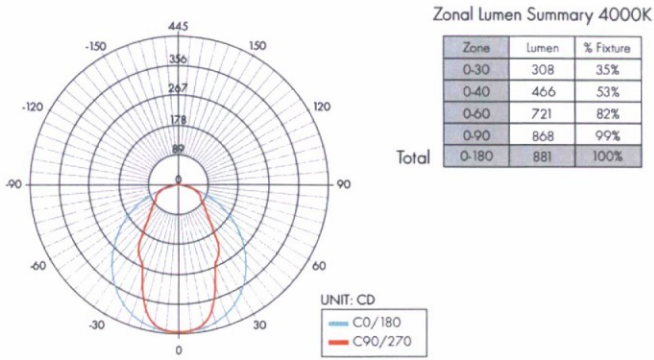
\*Dot free for HO & VHO outputs

**26-DR-2017#3**

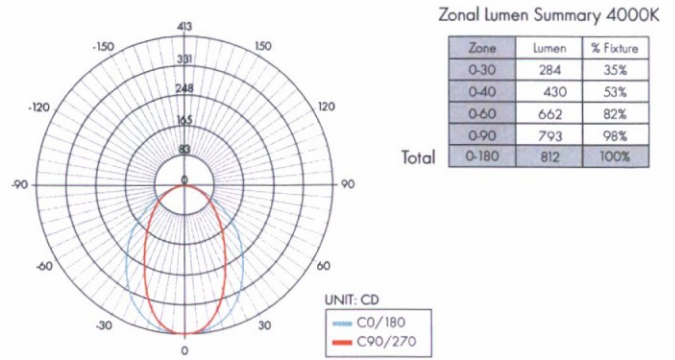
**10/16/17**

Photometry

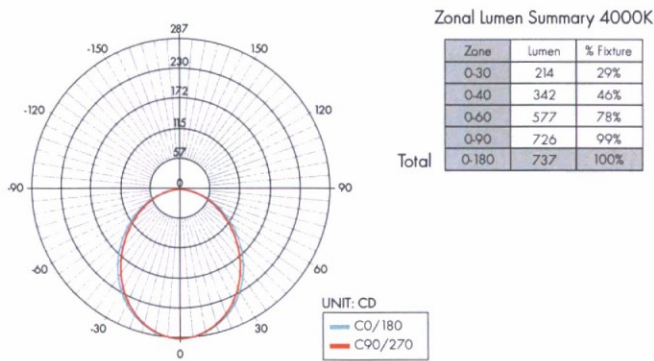
KMW-48-40K-VHO-C-XX



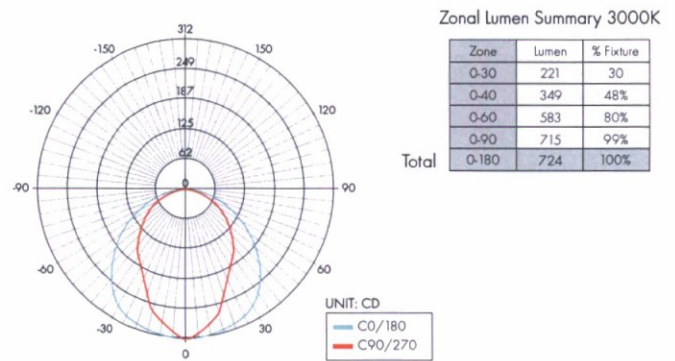
KMW-48-40K-VHO-M-XX



KMW-48-40K-VHO-F-XX



KMW-48-30K-VHO-HF-XX



**CCT / LUMEN MULTIPLIER**

Color temperature	Multiplier (Multiple Light Output of 4000K HO)
2700 K	0.73
3000 K	0.81
3500 K	0.86
4000 K	1.00

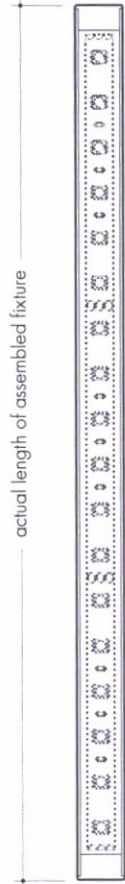
**LENS TYPE / LUMEN MULTIPLIER**

Lens Type	Multiplier (Multiple Light Output of 4000K HO)
Clear	1.00
Frosted	0.62
Medium	0.99
Half Frosted	0.80

Kendo M Wet | Linear illumination system

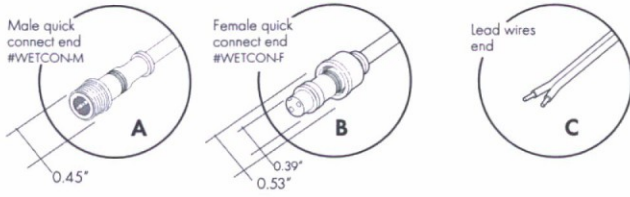
Power consumption per fixture length

Based on operation with PSD series of power supplies.



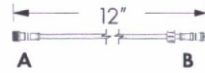
Nominal length	Actual length	SO			MO			HO			VHO	
		W/ft	Total wattage	Actual length	W/ft	Total wattage	Actual length	W/ft	Total wattage	Actual length	W/ft	Total wattage
12"	12-12/16"	1.65	1.65	13-2/16"	3.25	3.25	13 "	5.35	5.30	13 "	6.75	6.75
16"	16-8/16"	1.65	2.00	16-14/16"	3.25	4.00	16-15/16"	5.33	7.06	16-11/16"	6.75	9.00
20"	20-8/16"	1.65	2.80	20-14/16"	3.25	5.25	20-15/16"	5.31	8.82	20-10/16"	6.75	11.25
24"	24-7/16"	1.65	3.00	24-13/16"	3.25	6.50	24-13/16"	5.30	10.60	24-11/16"	6.75	13.50
28"	28-6/16"	1.65	3.90	28-12/16"	3.25	7.75	28-12/16"	5.28	12.33	28-12/16"	6.75	16.75
32"	32-5/16"	1.65	4.00	32-11/16"	3.25	8.50	32-11/16"	5.26	14.06	32-11/16"	6.75	19.00
36"	36-4/16"	1.65	5.00	36-10/16"	3.25	9.75	36-10/16"	5.25	15.80	36-10/16"	6.65	19.95
40"	40-3/16"	1.64	5.50	40-9/16"	3.25	10.25	40-9/16"	5.23	17.40	40-9/16"	6.65	22.20
44"	44-1/16"	1.64	6.00	44-7/16"	3.20	11.75	44-8/16"	5.21	19.00	44-9/16"	6.65	24.40
48"	48-1/16"	1.63	6.60	48-7/16"	3.20	12.80	48-7/16"	5.20	20.60	48-7/16"	6.55	26.20
52"	52 "	1.63	7.10	52-6/16"	3.20	13.30	52-6/16"	5.18	22.40	52-7/16"	6.55	28.50
56"	55-15/16"	1.63	7.70	56-5/16"	3.20	14.80	56-5/16"	5.16	24.20	56-5/16"	6.55	30.50
60"	59-14/16"	1.63	8.20	60-4/16"	3.20	16.00	60-4/16"	5.15	26.00	60-4/16"	6.45	32.25
64"	63-13/16"	1.63	8.80	64-3/16"	3.20	17.00	64-3/16"	5.13	27.60	64-3/16"	6.45	34.40
68"	67-12/16"	1.62	9.30	68-2/16"	3.15	18.00	68-2/16"	5.11	29.20	69-3/16"	6.45	36.55
72"	71-11/16"	1.62	9.80	72-1/16"	3.15	18.90	72-1/16"	5.10	30.80	72-11/16"	6.40	38.40
76"	75-10/16"	1.62	10.40	76 "	3.15	19.00	76 "	5.08	32.40	76-12/16"	6.40	40.50
80"	79-9/16"	1.62	10.90	79-15/16"	3.15	21.50	79-15/16"	5.06	34.00	80-11/16"	6.40	43.00
84"	83-8/16"	1.62	11.50	83-14/16"	3.15	22.05	83-15/16"	5.05	35.70	84-11/16"	6.25	43.75
88"	87-7/16"	1.62	12.00	87-13/16"	3.15	23.00	87-12/16"	5.03	37.10	88-13/16"	6.25	46.00
92"	91-6/16"	1.62	12.50	91-12/16"	3.10	24.00	91-12/16"	5.01	38.50	92-12/16"	6.25	48.00
96"	95-6/16"	1.62	13.10	95-12/16"	3.10	24.80	97 "	5.00	40.00	96-11/16"	6.15	49.20
100"	99-4/16"	1.61	13.50	99-10/16"	3.10	26.30	100-15/16"	4.98	41.60	100-10/16"	6.15	51.25
104"	103-2/16"	1.61	14.00	103-8/16"	3.05	27.10	104-11/16"	4.96	43.20	104-10/16"	6.15	53.00
108"	107-1/16"	1.60	14.50	107-7/16"	3.05	28.00	108-13/16"	4.95	44.80	108-7/16"	6.00	54.00
112"	111-1/16"	1.60	15.00	111-7/16"	3.05	28.50	112-12/16"	4.93	46.20	112-7/16"	6.00	56.00
116"	115 "	1.60	15.50	115-6/16"	3.05	30.00	116-11/16"	4.91	47.60	116-7/16"	6.00	58.00

Connectors

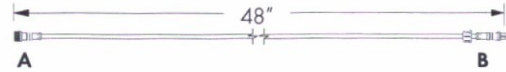


Linking and Extension Cable

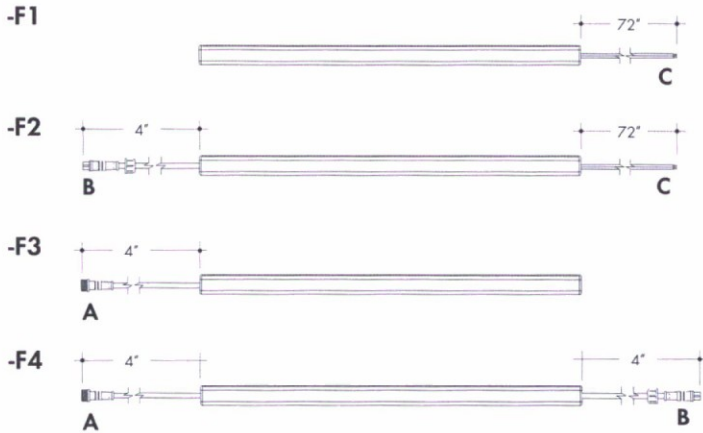
Male/female Joiner 12" - Part # IP67-12



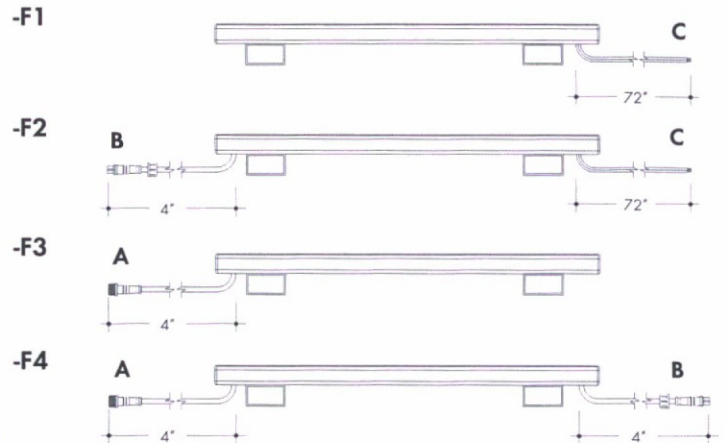
Male/female Joiner 48" - Part # IP67-48



Powerfeed options with fixed bracket



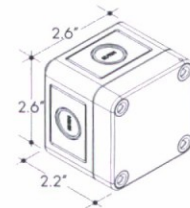
Powerfeed options with adjustable bracket



Accessories

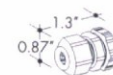
Splice Box:  
Wet rated, low voltage splice box, gray

Part # LVSP-WET

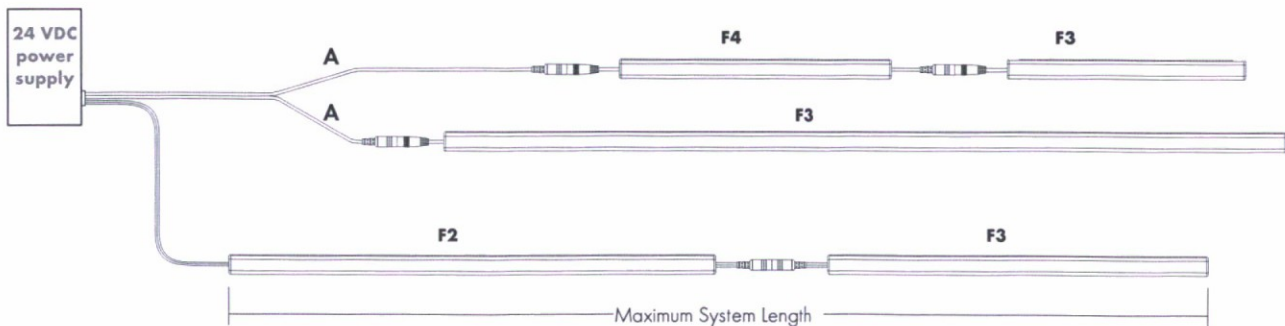


Connector:  
Low voltage splice box wet cable management gray

Part # LVSP-WET-CM



Sample layout of powerfeed connections



Kendo M Wet | Linear illumination system

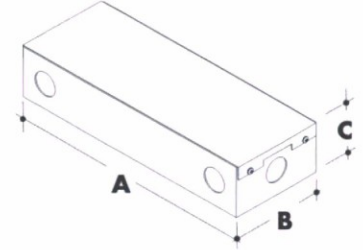
Power supply

See fixture and power supply instructions & spec sheet for wiring information. Dimming possible in select models - view luminii website for list of compatible dimmers.

Non-Dimming:

MODEL	POWER	OUTPUT	DIMMING	LOCATION
<b>PSV</b>	<b>40</b>	<b>24V</b>	<b>U2ND</b>	<b>D</b>
PSV - PSV Series	40 - 40 W 60 - 60 W 96 - 96 W	24 - 24 VDC	U2ND - Non Dimming	D - Dry Location IP65 - Wet Location

MODELS	PSV Dry	PSV Wet
<b>A Length</b>	9.2"	9.5"
<b>B Width</b>	3.4"	4.12"
<b>C Depth</b>	1.9"	2.3"

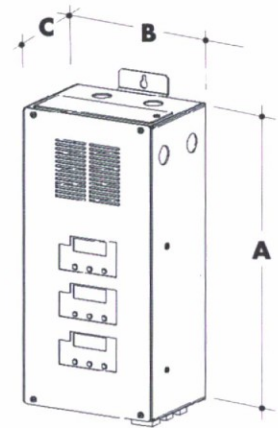


Dimming 0-10V:

MODEL	POWER	OUTPUT	DIMMING
<b>PS010V</b>	<b>3X100</b>	<b>24</b>	<b>LIN</b>
PS010V - 0-10V Power Supply dims down to 0%	3X100 - 3 X 100 WATT	24 - 24 VDC	LIN - Linear LOG - Logarithmic

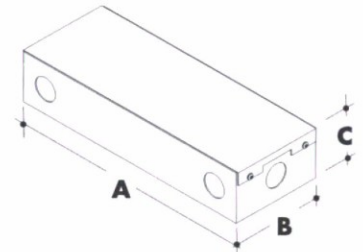
- features eldoLED's LINEARdrive configurable 0-10V drivers

MODELS	PSD010V
<b>A Length</b>	15.75"
<b>B Width</b>	6.60"
<b>C Depth</b>	4.80"



MODEL	POWER	OUTPUT	DIMMING	LOCATION
<b>PSV</b>	<b>40</b>	<b>24V</b>	<b>U2DIM</b>	<b>D</b>
PSV - PSV Series dims down to 5%	40 - 40 W 60 - 60 W 96 - 96 W	24 - 24 VDC	U2DIM - Dimming 0-10V	D - Dry Location IP65 - Wet Location

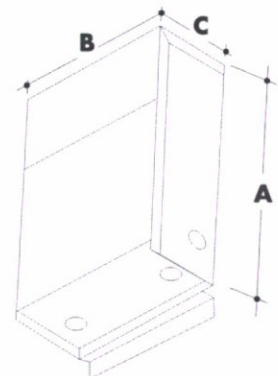
MODELS	PSV Dry	PSV Wet
<b>A Length</b>	9.2"	9.5"
<b>B Width</b>	3.4"	4.12"
<b>C Depth</b>	1.9"	2.3"



Dimming Magnetic low voltage:

MODEL	POWER	OUTPUT	INPUT
<b>PSD</b>	<b>48</b>	<b>24</b>	
PSD - PSD Series dims down to 0%	48 - 48 W 96 - 96 W 288 - 288 W (3x 96W)	24 - 24 VDC	Blank - 120 V 240 - 240 V 277 - 277 V

MODELS	PSD 48	PSD 96	PSD 288
<b>A Length</b>	11.25"	11.25"	13.06"
<b>B Width</b>	3.42"	3.42"	8.42"
<b>C Depth</b>	3.42"	3.27"	4.47"



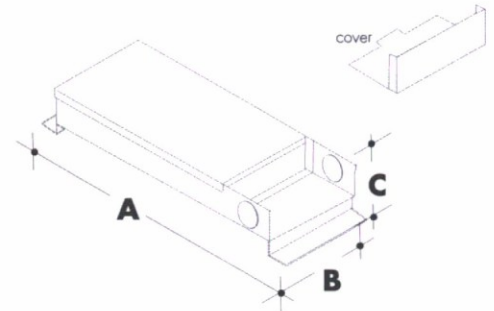
Kendo M Wet | Linear illumination system

Power supply

See fixture and power supply instructions & spec sheet for wiring information. Dimming possible in select models - view Luminii website for list of compatible dimmers.

Dimming Electronic low voltage:

MODEL	CIRCUIT x POWER	OUTPUT	INPUT
<b>CVE</b>	<b>48D</b>	<b>24V</b>	
CVE - CVE Series dims down to 0.1%	48D - 48W 48X2D - 2 x 48W 48X3D - 3 x 48W 48X4D - 4 x 48W 96D - 96W 96X2D - 2 x 96W 96X3D - 3 x 96W 96X4D - 4 x 96W	24 - 24 VDC	Blank - 120 V 277 - 240/277 V



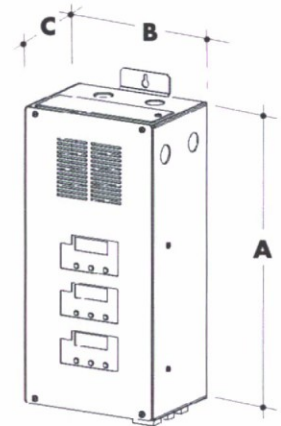
MODELS	Single circuit	Dual circuit	Three circuit	Four circuit
<b>A Length</b>	13.9"	13.8"	13.8"	13.8"
<b>B Width</b>	2.3"	4.0"	5.9"	7.75"
<b>C Depth</b>	1.3"	1.9"	1.9"	1.9"

DMX & DALI:

MODEL	POWER	OUTPUT
<b>PSDMX</b>	<b>3X100</b>	<b>24</b>
PSDMX - DMX Power Supply PSDALI - DALI Power Supply dims down to 0%	3X100 - 3 X 100 WATT	24 - 24 VDC

- Features eldoLED's LINEARdrive configurable dimmable drivers

MODELS	PSDMX	PSDALI
<b>A Length</b>	15.75"	15.75"
<b>B Width</b>	6.60"	6.60"
<b>C Depth</b>	4.80"	4.80"

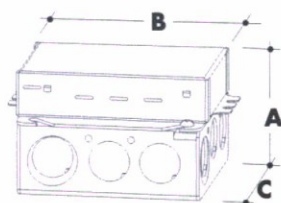


Luminii is a Lutron OEM Advantage Partner

MODEL
<b>LTEA4U1UKL-CV240</b>
Lutron - Hi-lume™ 1% 2-wire LED driver (120V forward phase only)

MODELS	LTEA	L3DA
<b>A Length</b>	4.89"	4.89"
<b>B Width</b>	2.66"	2.66"
<b>C Depth</b>	4.00"	4.00"

MODEL
<b>L3DA4U1UKL-CV240</b>
Hi-lume™ 1% EcoSystem Voltage LED Driver



MODEL
<b>L3D0-96W24V-U</b>
Hi-lume™ 0.1% EcoSystem Voltage LED Driver with Soft-On, Fade-to-Black™

MODELS	L3D0
<b>A Length</b>	10.50"
<b>B Width</b>	5.50"
<b>C Depth</b>	2.00"

