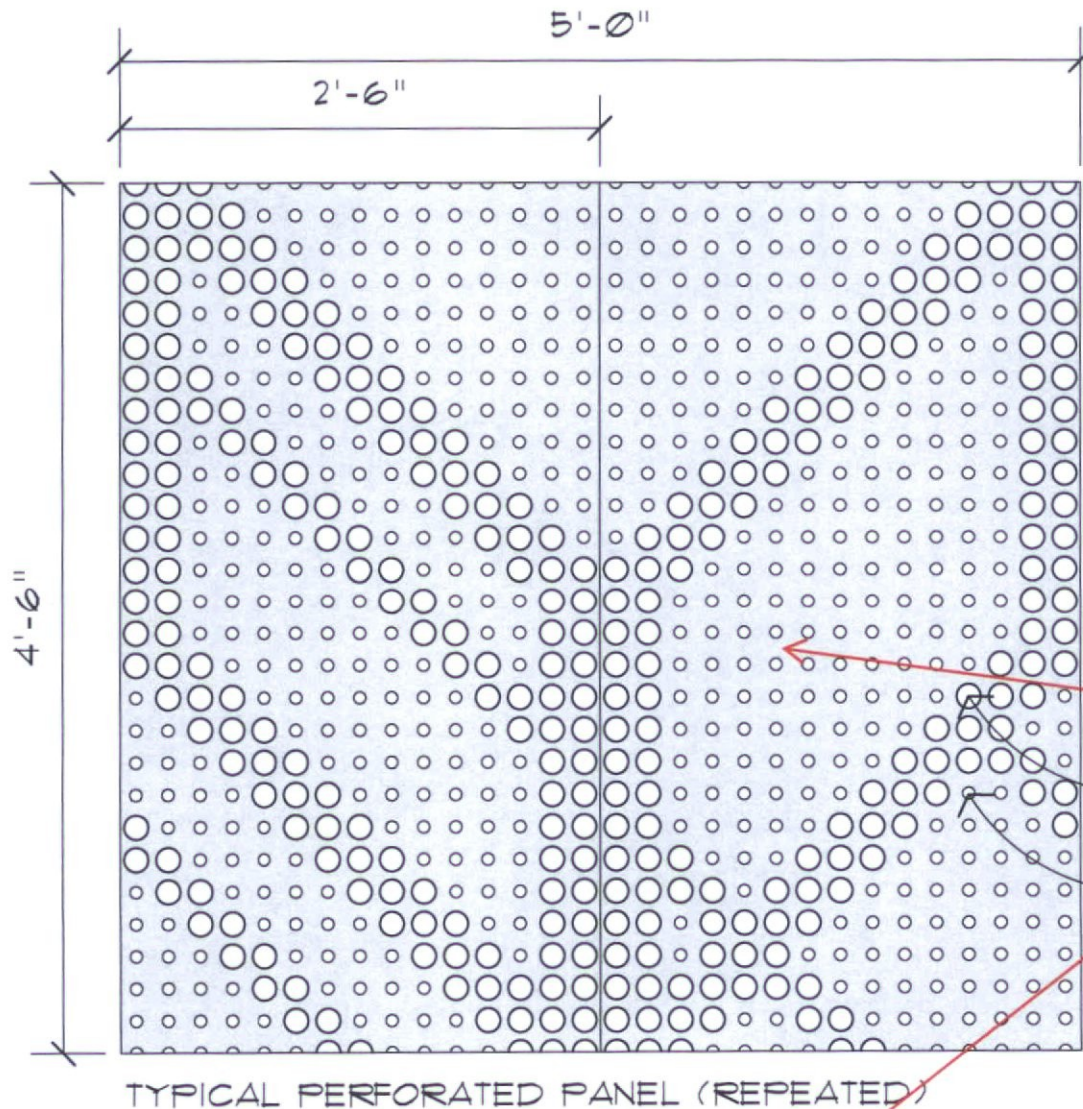


Simulations
Photos
All Graphics (no plans)



26-DR-2017 #5
 STIPULATION SET
 RETAIN FOR RECORDS
 APPROVED
 6/7/18 DATE
 [Signature] INITIALS

PERFORATED METAL PANEL IS 75% SOLID AND SHIELDING FIXTURE FROM SKY ABOVE

SEE ATTACHED FX-10 FIXTURE CUTSHEET FOR SUPPORTING TECHNICAL INFO

SECTION DETAIL



STATISTICAL DATA

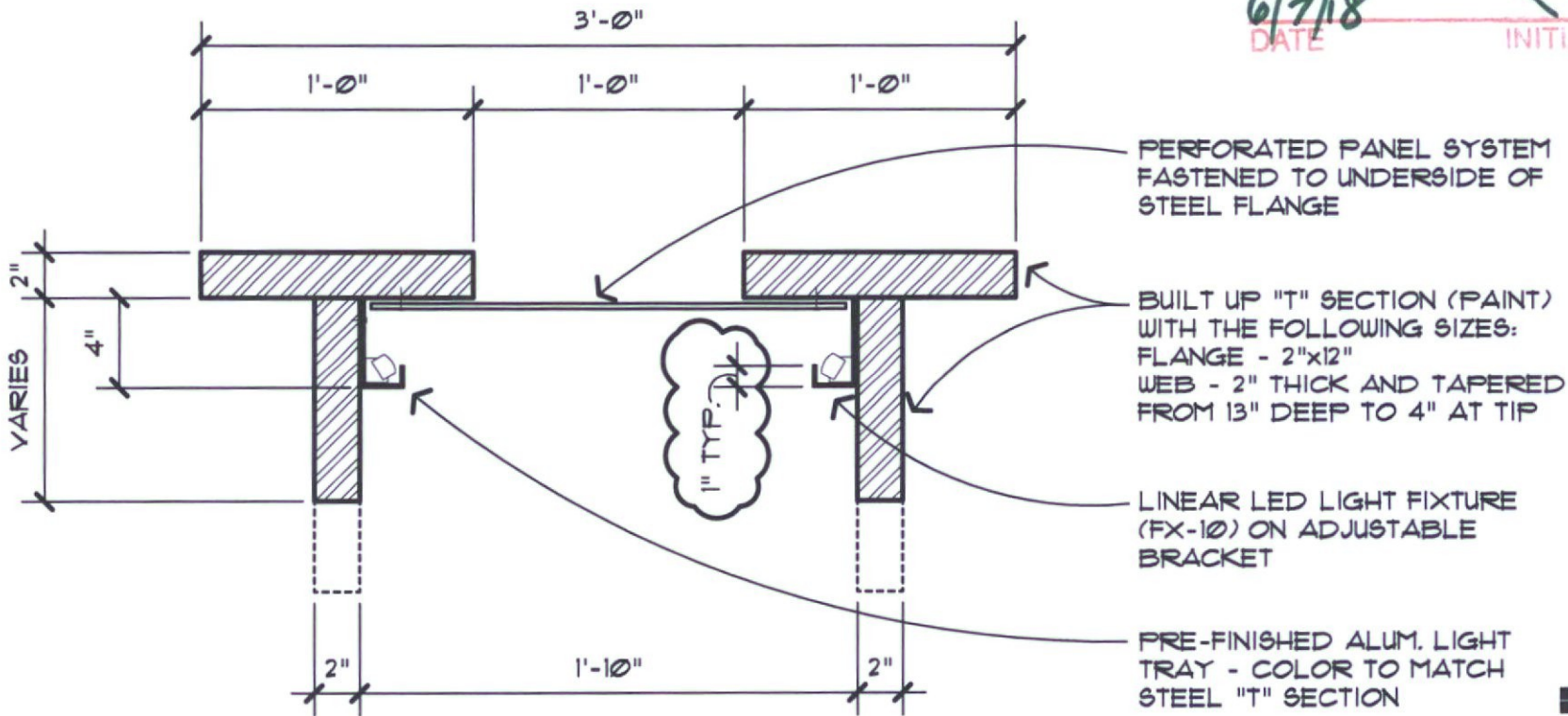
FX-10 @ 3000k as specified = 120lmns/ft
 Frosted Lens (less 20%) = 96lmns/ft
 Perforated Metal Shield above fixture (less 75%) = 24lmns/ft
 Total fixture length is 35ft = 24lmns/ft x 35ft = 840 Total Lumens per run

26-DR-2017 #5
 STIPULATION SET
 RETAIN FOR RECORDS

APPROVED

6/7/18
 DATE

[Signature]
 INITIALS



PERFORATED PANEL SYSTEM
 FASTENED TO UNDERSIDE OF
 STEEL FLANGE

BUILT UP "I" SECTION (PAINT)
 WITH THE FOLLOWING SIZES:
 FLANGE - 2"x12"
 WEB - 2" THICK AND TAPERED
 FROM 13" DEEP TO 4" AT TIP

LINEAR LED LIGHT FIXTURE
 (FX-10) ON ADJUSTABLE
 BRACKET

PRE-FINISHED ALUM. LIGHT
 TRAY - COLOR TO MATCH
 STEEL "I" SECTION

SECTION AT HEIGHT RESTRICTOR BAR
 SCALE: 1 1/2" = 1'-0"

Jpra ARCHITECTS
 39300 West Twelve Mile Road, Suite 180
 Farmington Hills, MI 48331
 phone 248.737.0180 fax 248.737.9161
 www.jptra.com

Project: S-C-O-T-T-S-D-A-L-E
Fashion Square
 LUX WING MALL
 RENOVATION

| | |
|-----------|------|
| Job No. | 1861 |
| Sheet No. | SK-1 |

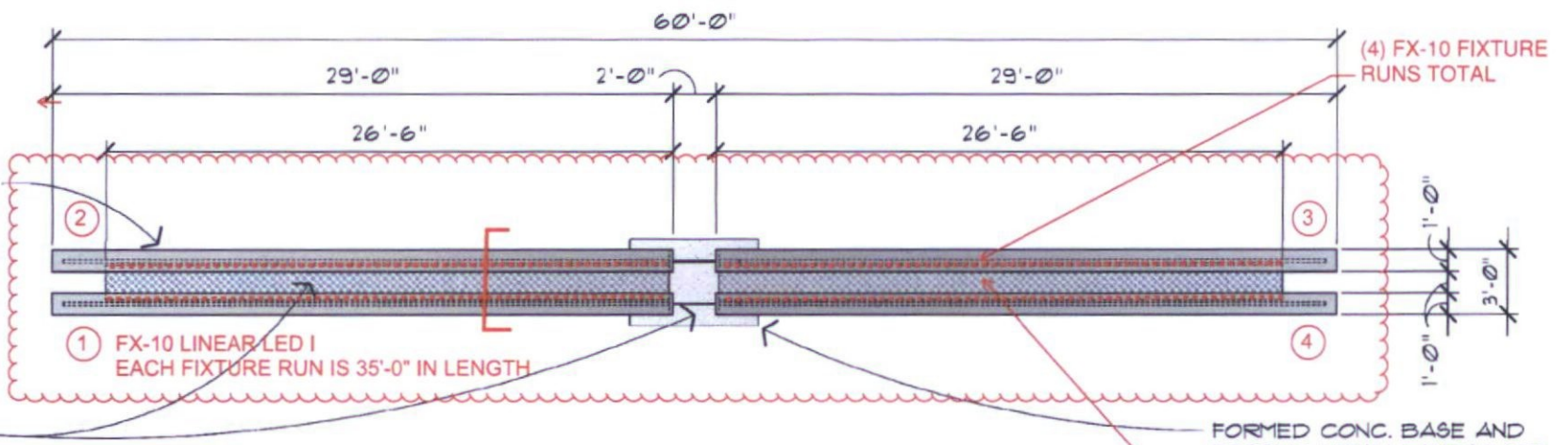
STRUCTURAL STEEL¹
CHEVRON PROFILE - FINISH
TO MATCH METAL PANEL
SYSTEM AT BUILDING ENTRY

PERFORATED PANEL
SYSTEM WITH LED LIGHTING
CONCEALED AT INTERNAL
EDGES OF CHEVRON STEEL

STRUCTURAL STEEL
CHEVRON PROFILE - FINISH
TO MATCH METAL PANEL
SYSTEM AT BUILDING ENTRY

PERFORATED PANEL
SYSTEM WITH LED LIGHTING
CONCEALED AT INTERNAL
EDGES OF CHEVRON STEEL

FORMED CONC. BASE AND
FOOTING WITHIN LANDSCAPE
ISLAND CONCEALED BY
VEGETATION

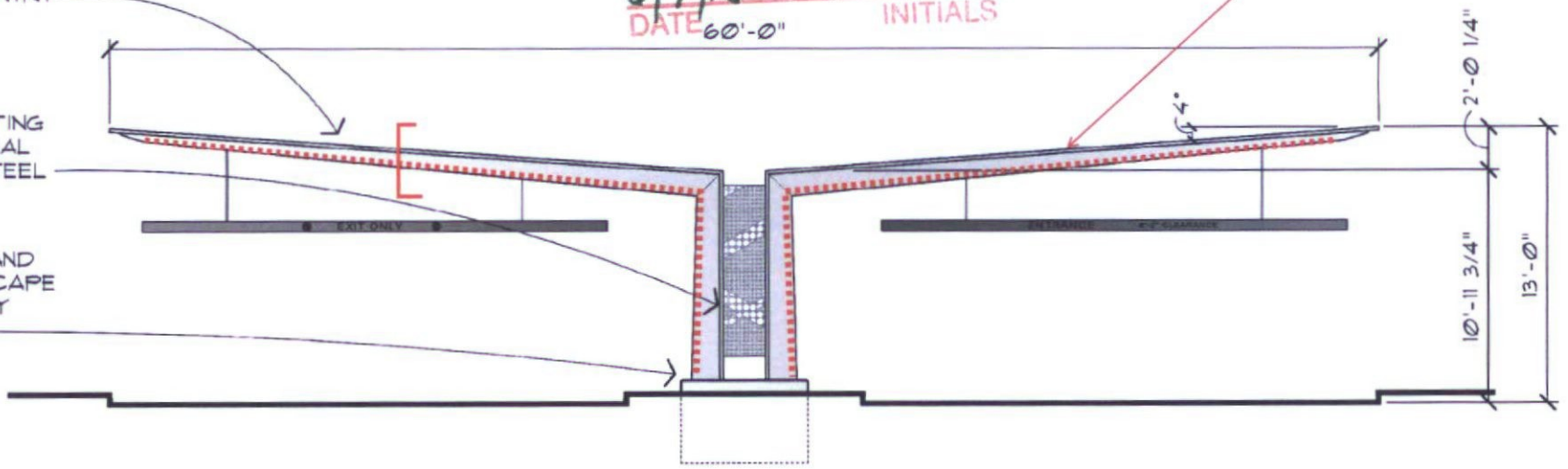


1 ENLARGED PLAN - HEIGHT RESTRICTOR BAR
SP-2 SCALE: 1/4" = 1'-0"

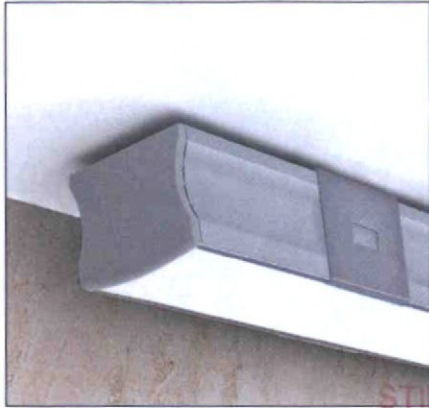
26-02-2017 #15
STIPULATION SET
RETAIN FOR RECORDS
APPROVED
6/7/18 DATE INITIALS

PERFORATED METAL
PANEL IS 75% SOLID
AND SHIELDING
FIXTURE FROM SKY
ABOVE

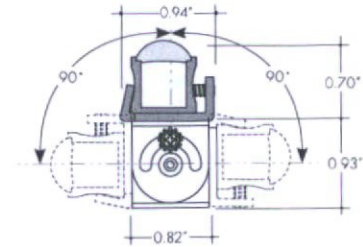
FORMED CONC. BASE AND
FOOTING WITHIN LANDSCAPE
ISLAND CONCEALED BY
VEGETATION



Extruded aluminum linear illumination system, Kendo M Wet is available in sections up to 116". Specifically designed LED engine provides constant illumination levels from the beginning to the end of the runs. Kendo M Wet is suitable for cove lighting, architectural accents, under or above cabinets, display cases, and many other applications. Class 2 listed for wet location installations.



profile dimensions



Adjustable mounting bracket allows 90° tilt in both directions.

IP67

Made in USA

UL LISTED

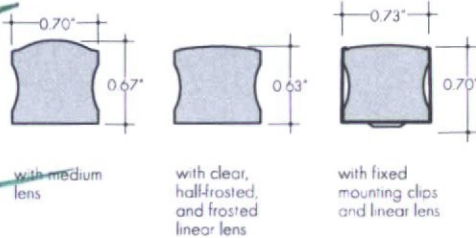
ETL Intertek

dimmiabie

26-DE-2017-#5
STIPULATION SET
RETAIN FOR RECORDS
APPROVED

6/7/18
DATE

[Signature]
INITIALS



Finish options

Lumen output is measured at 4000k w/ a clear lens.

The FX-10 fixture is specified as 3000k w/ a frosted lens



Black powder coated



Bronze powder coated



Silver anodized



White powder coated

Technical information

OUTPUT OPTIONS

| Output type | SO (LL18) | MO (LL36) | HO (LL54) | VHO (LL72) |
|---|-------------|-------------|-------------|-------------|
| Lumens at 4000K (Clear lens) | 74 lum/ft | 149 lum/ft | 209 lum/ft | 291 lum/ft |
| Average power consumption at 4' | 1.6 W/ft | 3.2 W/ft | 5.2 W/ft | 6.5 W/ft |
| Maximum system length <i>Achievable via feed through fixture wiring.</i> | 80' | 35' | 26' | 18' |
| Operating Voltage | 24VDC | 24VDC | 24VDC | 24VDC |
| Operating Environment Temperature | -30C to 50C | -30C to 50C | -30C to 50C | -30C to 50C |

CCT / LUMEN MULTIPLIER

| Color temperature | Multiplier <small>(Multiple Light Output of 4000K HO)</small> |
|-------------------|--|
| 2700 K | 0.73 |
| 3000 K | 0.81 |
| 3500 K | 0.86 |
| 4000 K | 1.00 |

*actual lumen output for specified fixture is 120 lmns/ft

**Frosted lens accounts for an additional 20% reduction

Ordering code

| MODEL | LENGTH | CCT | OUTPUT | LENS | MOUNTING | FINISH | POWER FEED |
|-------------------|-----------------------------|--|--|--|-----------------------------|--|--|
| KMW | 12 | 27K | SO | C | A | SA | F1 |
| KMW - Kendo M Wet | 12" - 116" 4" increments | 27K - 2700K 30K - 3000K 35K - 3500K 40K - 4000K | SO - Standard MO - Medium HO - High VHO - Very-High | C - Clear F - Frosted* M - Medium HF - Half Frosted | A - Adjustable F - Fixed | SA - Silver BK - Black BZ - Bronze WH - White <small>[BK,BZ,WH finishes will have an upcharge and require longer lead times]</small> | F1 - 72" wire leads F2 - 72" wire leads at one end and quick connect at other F3 - Single quick connect F4 - Dual quick connect |

*Dot free for HO & VHO outputs