

**Simulations**  
**Photos**  
**All Graphics (no plans)**



**DESERT MOUNTAIN PARCEL 19**  
**PHOTO LOCATION EXHIBIT**

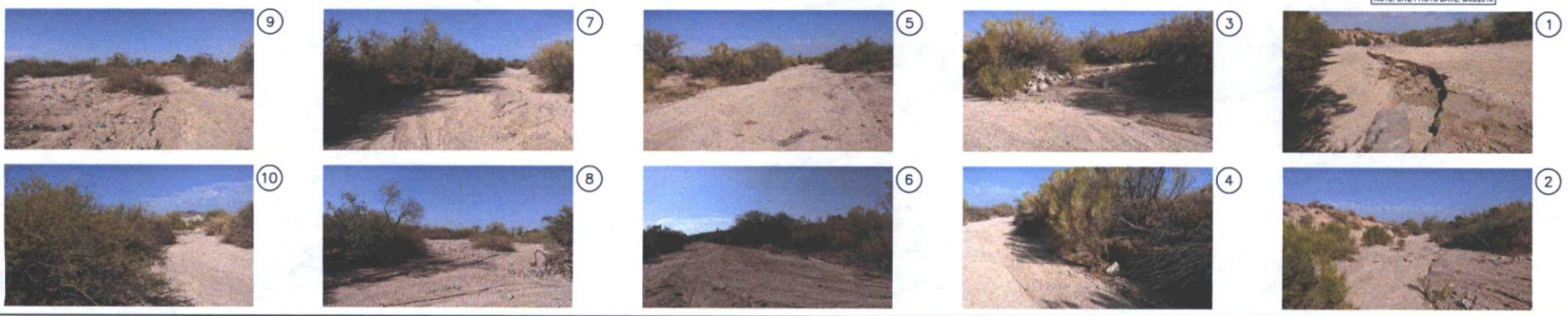


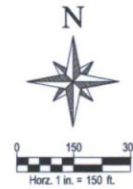
**PRELIMINARY  
NOT  
FOR  
CONSTRUCTION  
OR RECORDING**

**WOOD/PATEL**  
CIVIL ENGINEERS  
LAND SURVEYORS  
CIVIL ENGINEERING MANAGERS  
2001 W Northern Ave  
Suite 100  
Phoenix, AZ 85021  
(602) 335-8500  
www.woodpatel.com  
LICENSE # 10114 FOR AZ

ENGINEER DEW  
DESIGNER D.J.C.  
CAD TECHNICIAN CU  
SCALE (HORIZONTAL) 1" = 150'  
SCALE (VERTICAL) N/A  
DATE 9/16/2016  
JOB NUMBER 164434  
SHEET 1 OF 1

NOTE: SITE PHOTO DATE: 8/09/2016





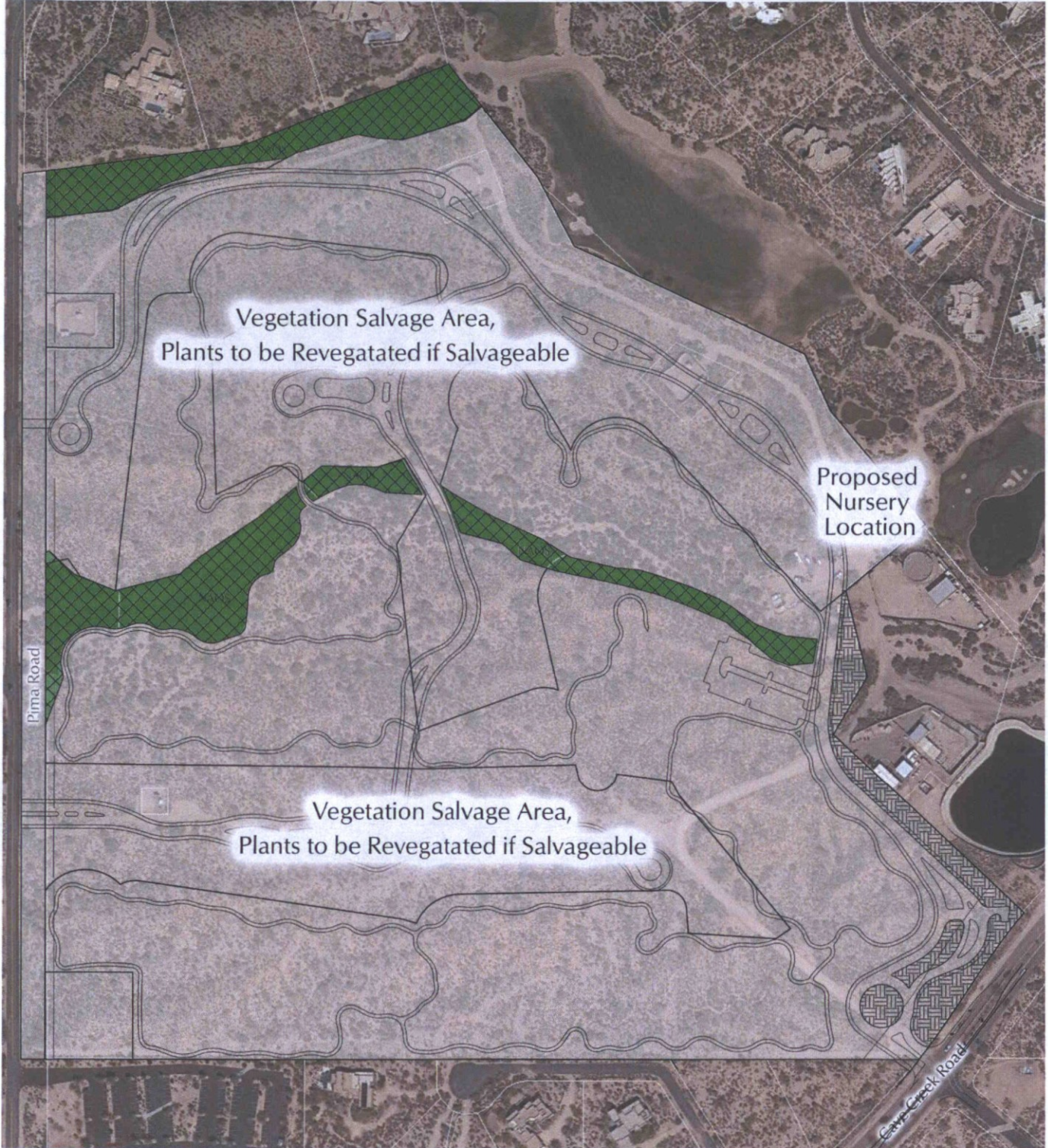
DESERT MOUNTAIN PARCEL 19  
CONTEXT AERIAL MAP



PRELIMINARY  
NOT  
FOR  
CONSTRUCTION  
OR RECORDING

**WOOD/PATEL**  
CIVIL ENGINEERS  
HYDROLOGISTS  
LAND SURVEYORS  
CONSTRUCTION MANAGERS  
2061 W Northern Ave  
Suite 100  
Phoenix, AZ 85021  
(602) 335-8500  
www.woodpatel.com

ENGINEER	DEW
DESIGNER	DJC
CAD TECHNICIAN	SU
SCALE (HORIZONTAL)	1" = 150'
SCALE (VERTICAL)	N/A
DATE	9/16/2016
JOB NUMBER	164434
SHEET	1 OF 1



Note: Location of salvage plant material to be finalized during construction and based on survivability of plant salvage process.



Parcel 19

# Revegetation Site Plan

### PROTECTED NATIVE PLANTS

Specific native plants are protected as described in the city's Native Plant Ordinance. Photos of indigenous plants, including the protected native plants listed below, are available at [www.ciScottsdaleAZ.gov/arcgis/rest/services/](http://www.ciScottsdaleAZ.gov/arcgis/rest/services/)

#### A. TREES

BOTANICAL NAME	COMMON NAME
<i>Acacia constricta</i>	White-thorn Acacia
<i>Acacia greggii</i>	Cholla - Acacia
<i>Berberis haematoxyloea</i>	Red Barberry
<i>Ceanothus holocanthus</i>	Crook-thorn Thorn
<i>Celtis pallida</i>	Desert Hackberry
<i>Cercidium floridum</i> ( <i>Parkinsonia florida</i> )	Blue Palo Verde
<i>Cercidium microphyllum</i> ( <i>Parkinsonia microphyllum</i> )	Foot-hills Palo Verde
<i>Chilopsis linearis</i>	Desert Willow
<i>Juniperus monosperma</i>	1-Seeded Juniper
<i>Olneya tesota</i>	Ironwood
<i>Prosopis franseria</i>	Collon-wood
<i>Prosopis</i> spp.	Mesquite
<i>Quercus</i> spp.	Scrub Oak
<i>Rhus ovata</i>	Sugar Gumec
<i>Yucca elata californica</i>	Arizona Rose-wood

#### B. CACTI

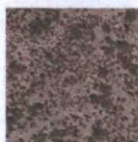
Botanical Name	Common Name
<i>Carnegiea gigantea</i>	Saguaro
<i>Ferocactus</i> spp.	Barrel
<i>Fouquieria splendens</i>	Cholla
<i>Panicum greggii</i>	Desert Night-Blooming Cereus
<i>Yucca elata</i>	Sagebrush Yucca



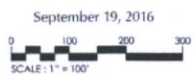
NAOS - Vegetation to Remain



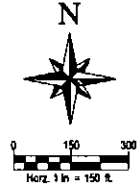
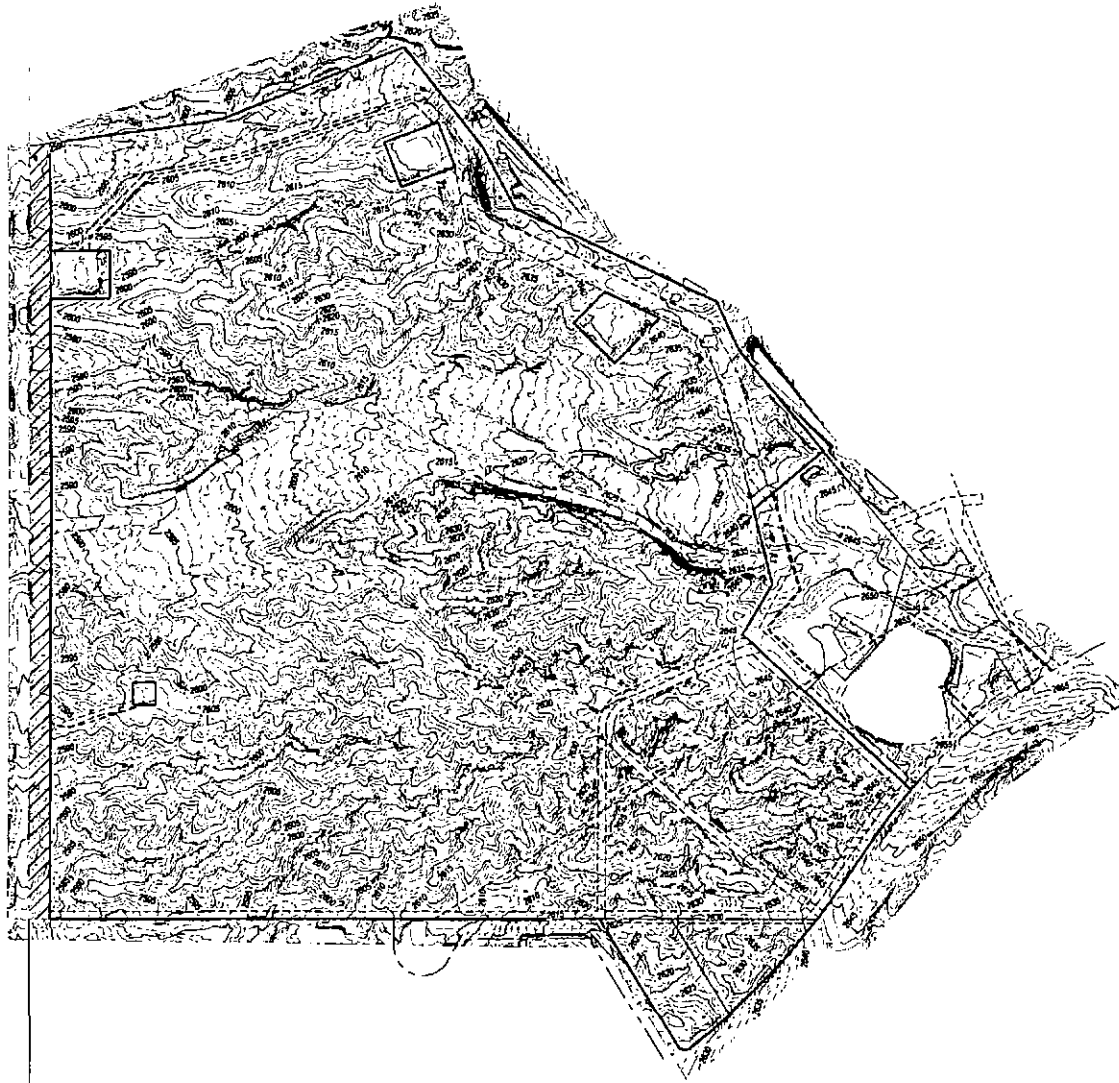
Moderate Vegetation Salvage Area, Plants to be Revegetated if Salvageable



Sparse Vegetation Salvage Area, Plants to be Revegetated if Salvageable



September 19, 2016  
9-WM-2016  
9/16/2016



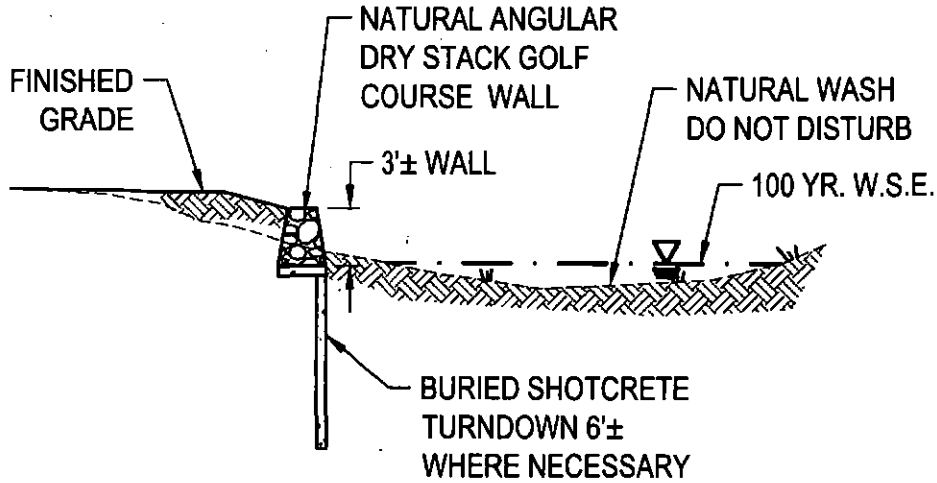
**DESERT MOUNTAIN PARCEL 19**  
**TOPOGRAPHIC MAP**



**PRELIMINARY  
 NOT  
 FOR  
 CONSTRUCTION  
 OR RECORDING**

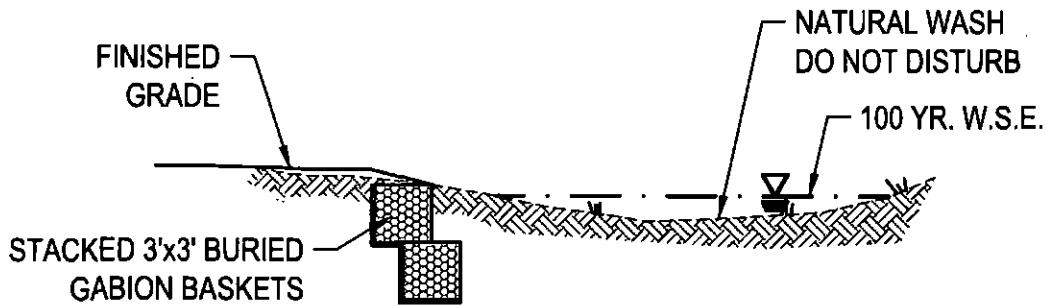
**WOOD/PATEL**  
 CIVIL ENGINEERS  
 30 SUGARLOAF  
 LAND SURVEY & TITLE  
 CONSTRUCTION MANAGERS  
 801 W. Mountain Ave  
 Suite 100  
 Phoenix, AZ 85001  
 (602) 955-6000  
 www.woodpatel.com  
 P.E. # 12477

ENGINEER	DEP
DESIGNER	D.E.
CAD TECHNICIAN	SU
SCALE (HORIZONTAL)	1" = 150'
SCALE (VERTICAL)	N/A
DATE	9/16/2016
JOB NUMBER	164424
SHEET	1 OF 1



**BURIED EROSION PROTECTION**  
**AT STACKED STONE WALL**

N.T.S.



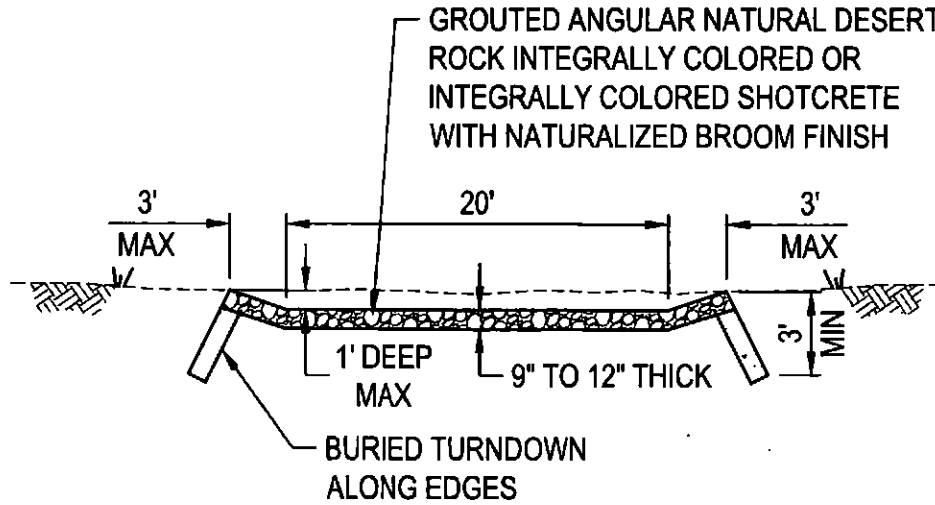
**BURIED GABION OPTION ALONG WALL**

N.T.S.

N:\2016\164434\Drawings\Exhibits\Wash Modification\4434-Details.dwg

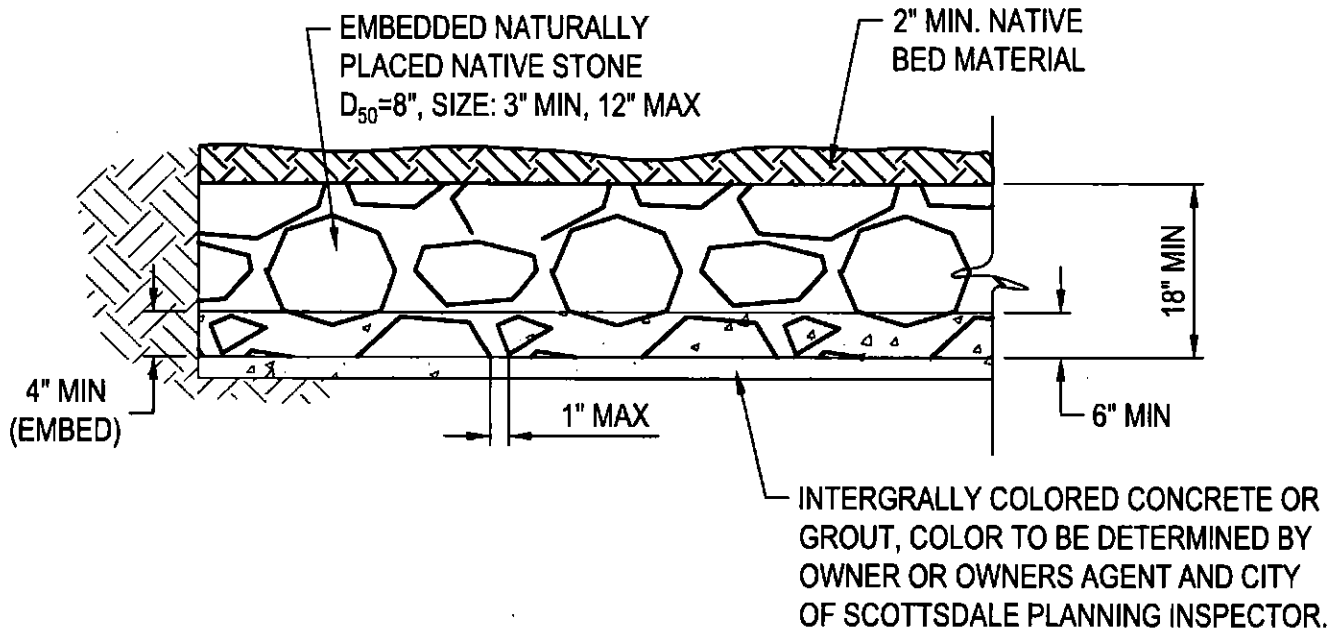
<p><b>NOT</b> FOR CONSTRUCTION OR RECORDING</p>	<p><b>WOOD/PATEL</b> MISSION: CLIENT SERVICE * (602) 335-8500 WWW.WOODPATEL.COM</p>	<p><b>DESERT MOUNTAIN PARCEL 19</b></p>	
		<p><b>WASH MODIFICATION EROSION PROTECTION DETAILS</b></p>	
		<p>DATE: 9/16/2016</p>	<p>SCALE: N.T.S.</p>
<p>JOB NO.: 164434</p>	<p>DESIGN: DC DRAWN: SU</p>		

9-WM-2016  
9/16/2016



## SHALLOW NATURALIZED SWALE

N.T.S.



## ALTERNATIVE EROSION PROTECTION

N.T.S.

N:\2016\164434\Drawings\Exhibits\Wash Modification\4434-Details.dwg

**NOT  
FOR  
CONSTRUCTION  
OR RECORDING**

**WOOD/PATEL**  
MISSION: CLIENT SERVICE \*  
(602) 335-8500  
WWW.WOODPATEL.COM

**DESERT MOUNTAIN PARCEL 19**

**WASH MODIFICATION  
EROSION PROTECTION DETAILS**

DATE:  
9/16/2016

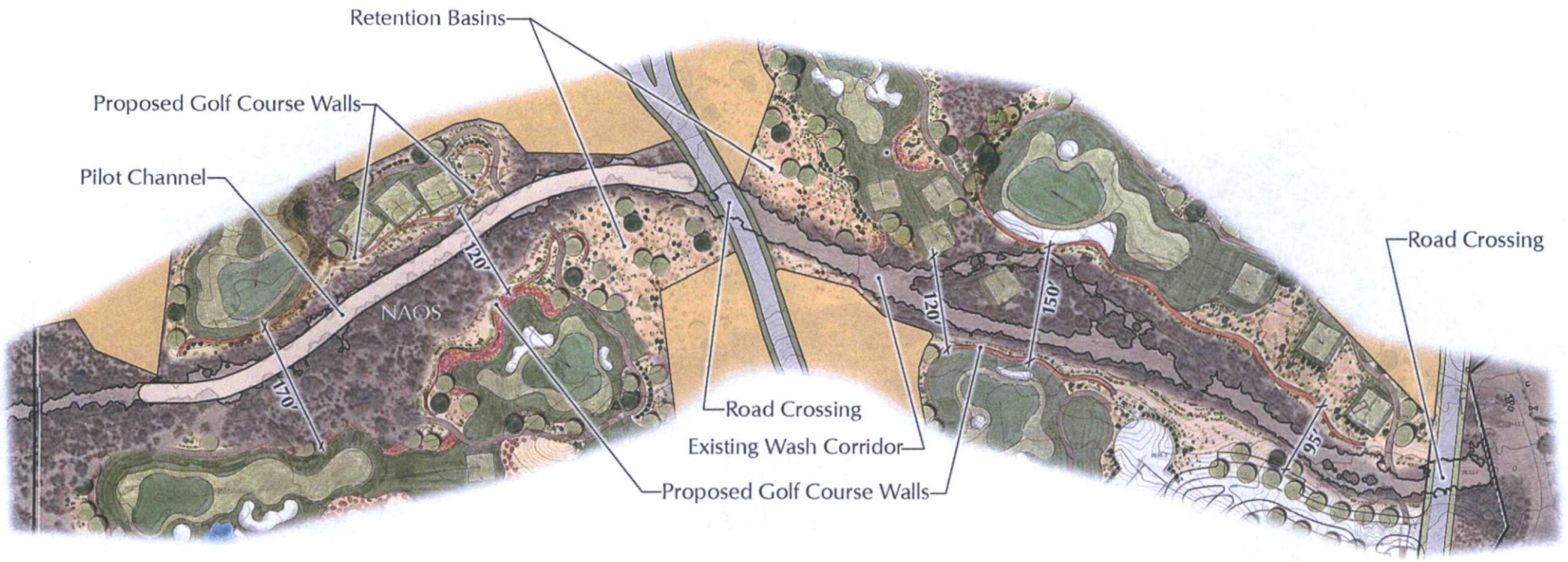
SCALE:  
N.T.S.

JOB NO.:  
164434

DESIGN: DC  
DRAWN: SU

SHEET  
2 OF 2

9-WM-2016  
9/16/2016





**Photo No. 1 Looking West**



**Photo No. 2 Looking West**



**Photo No. 3 Looking West**



**Photo No.4 Looking West**



**Photo No. 5 Looking West**



**Photo No. 6 Looking West**



**Photo No. 7 Looking West**



**Photo No. 8 Looking West**

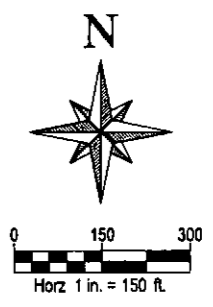


**Photo No. 9 Looking West**



**Photo No. 10 Looking West**





**DESERT MOUNTAIN PARCEL 19**  
**TOPOGRAPHIC MAP**



PRELIMINARY  
 NOT  
 FOR  
 CONSTRUCTION  
 OR RECORDING

**WOOD/PATEL**  
 CIVIL ENGINEERS  
 HYDROLOGISTS  
 LAND SURVEYORS  
 CONSTRUCTION MANAGERS  
 2061 W Northern Ave  
 Suite 100  
 Phoenix, AZ 85021  
 (602) 335-8500  
 www.woodpatel.com  
 REG-13 - 10.1.11 - REV. 5/05

ENGINEER	DEW
DESIGNER	DJC
CAD TECHNICIAN	SU
SCALE (HORIZONTAL)	1" = 150'
SCALE (VERTICAL)	N/A
DATE	9/16/2016
JOB NUMBER	164434
SHEET	1 OF 1

9-WM-2016  
 9/16/2016

N:\300\WoodPatel\9-16-2016\9-16-2016\Topo Map.dwg