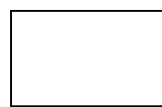

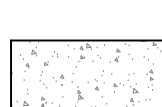

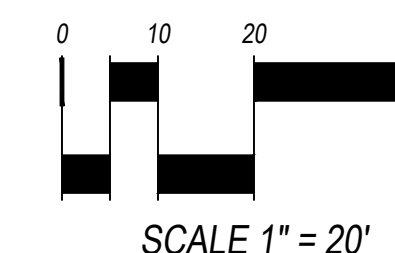


KEY NOTES

- ① SIDEWALK
- ② RAMP
- ③ CURB
- ④ UTILITIES
- ⑤ BUILDING OVERHEAD
- ⑥ BOLLARD
- ⑦ LANDSCAPE AREA
- ⑧ SHADE STRUCTURE
- ⑨ ILLUMINATED LIGHT COLUMN
- ⑩ RAISED STEEL PLANTER
- ⑪ BENCH
- ⑫ PRIVATE PATIO
- ⑬ EDGE OF UNDERGROUND PARKING STRUCTURE
- ⑭ WALL AT RAMP
- ⑮ WATER FEATURE
- ⑯ ART MURAL
- ⑰ BIKE RACK
- ⑱ GREEN WALL
- ⑲ STEEL EDGE
- ⑳ SIGN
- ㉑ LANDSCAPE CONTAINER

PAVING SCHEDULE

-  STANDARD GRAY CONCRETE
FINISH: TBD
-  TYPE 1 - DECORATIVE CONCRETE
FINISH: TBD
COLOR: TBD
-  TYPE 2 - DECORATIVE CONCRETE
FINISH: TBD
COLOR: TBD
-  TYPE 3 - ILLUMINATED PAVING BAND
FINISH: TBD
COLOR: TBD



NORTH

SCALE 1" = 20'