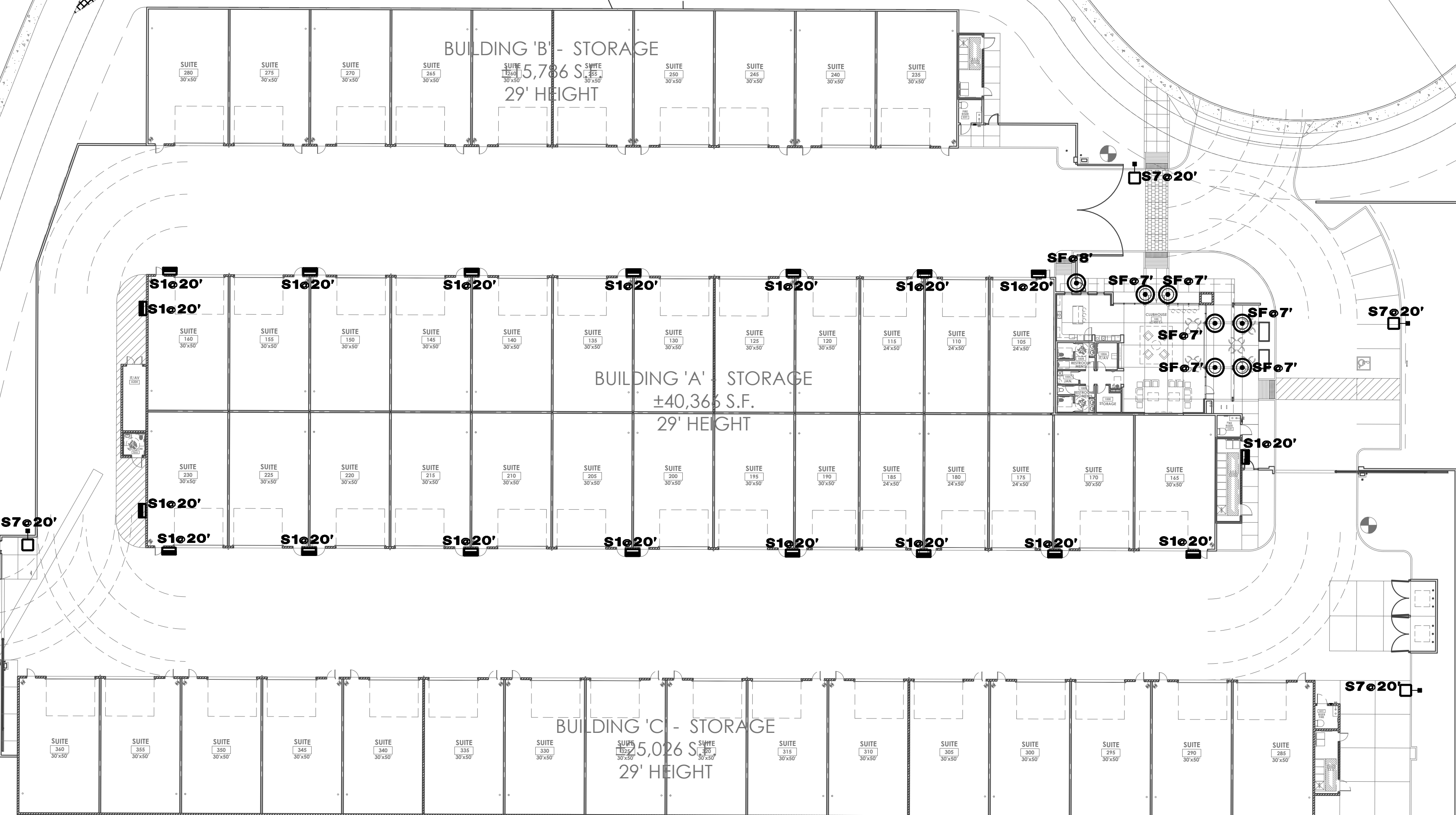


FARM BOYS, LLC  
APN 215-56-026C  
ZONING: I-1

E HELM DR

ED: I-1

N 73RD ST  
N 73RD STREET



ZONED: I-1

LOOKOUT PEAKS, LLC  
APN 215-56-027D  
ZONING I-1

14605 N. 73RD STREET, LLC  
APN 215-56-003  
ZONING: I-1

ACOMA9, ZONED: I-1  
APN 215-56-003  
ZONING I-1



**ELECTRICAL SITE PLAN**

SCALE: 1" = 30'-0"

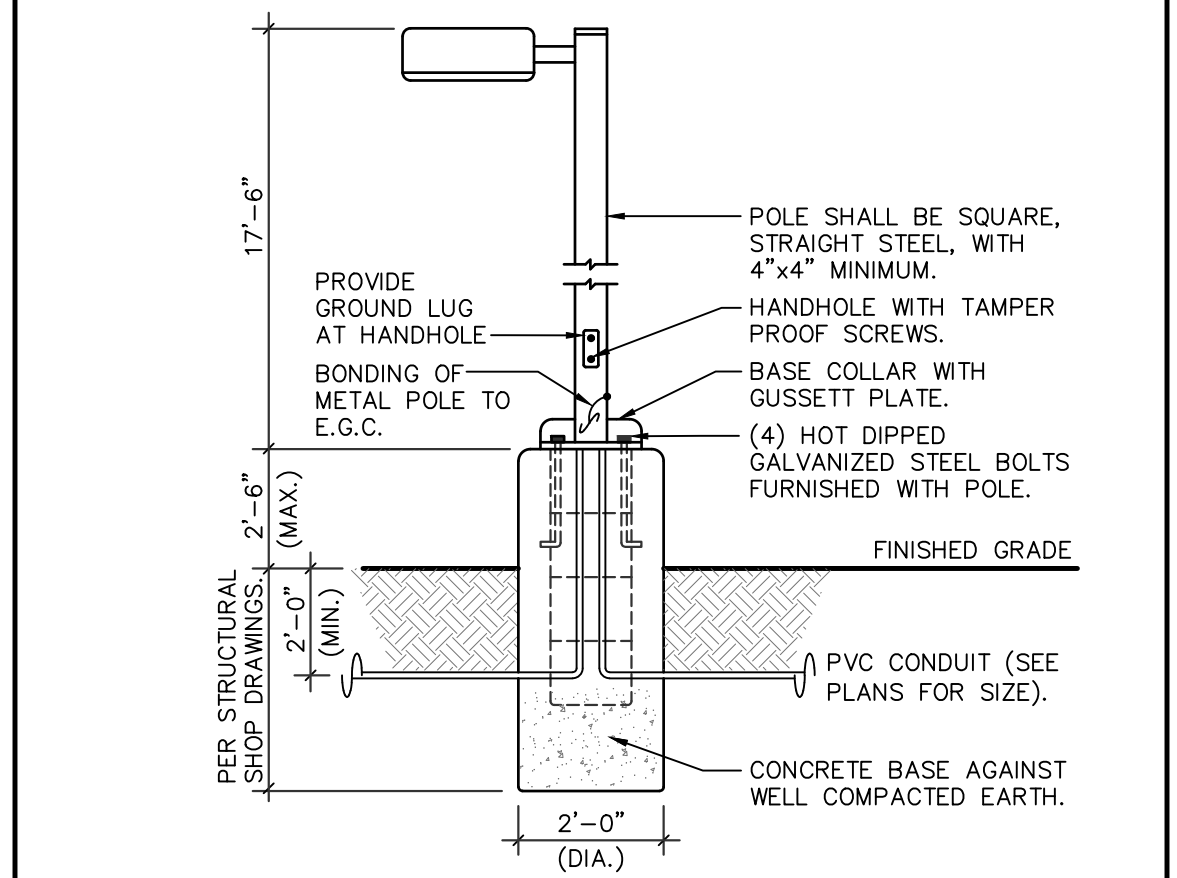
NOTE:  
PRE-CURFEW DESIGN HOURS SHALL BE DEFINED FROM NOT LATER THAN ONE HOUR AFTER BUSINESS CLOSING AND POST-CURFEW DESIGN HOURS SHALL BE DEFINED AS NOT EARLIER THAN ONE HOUR BEFORE BUSINESS OPENING. ALL EXTERIOR LIGHTS SHALL BE DIMMED BY 60% DURING POST-CURFEW TO COMPLY WITH IECC 2018 C405.2.6. EXTERIOR LIGHTING CONTROLS.

NOTE:  
ANY PROPOSED LIGHT FIXTURES INSTALLED ON PRIVATE PROPERTY, ADJACENT TO THE PUBLIC ROW, SHALL BE ORIENTED IN SUCH A MANNER OR LIMITED IN LUMEN OUTPUT TO PREVENT GLARE PROBLEMS AND SHALL NOT EXCEED NATIONAL I.E.S. LIGHTING STANDARDS FOR DISABILITY GLARE.

**GENERAL NOTES - SITE**

- REFER TO ELECTRICAL SPECIFICATIONS FOR ADDITIONAL REQUIREMENTS AND COMPLETE CONTRACTUAL OBLIGATIONS.
- ELECTRICAL CONTRACTOR SHALL CONTACT TELEPHONE COMPANY REGARDING EXACT LOCATION OF ALL PRIMARY SERVICE EQUIPMENT, TRENCH LOCATION, ETC.
- ELECTRICAL CONTRACTOR SHALL PROVIDE ALL NECESSARY TELEPHONE TRENCHING, BACKFILL, AND CONDUIT STUBS INTO TRENCH AS REQUIRED BY TELEPHONE COMPANY AND TO THEIR SPECIFICATIONS.
- ALL WIRING FOR OUTSIDE LIGHTING SHALL BE A MINIMUM OF #10 COPPER WITH TYPE THWN INSULATION. RUN UNDERGROUND CIRCUITS IN P.V.C. AND PROVIDE A #10 COPPER BOND IN ADDITION TO CIRCUIT CONDUCTORS. UNDERGROUND WIRING SHALL COMPLY WITH APPLICABLE CODES OF THE NEC.
- ELECTRICAL CONTRACTOR SHALL PROVIDE NECESSARY SECONDARY CONDUCTORS, POWER TRENCHING, BACKFILL AND CONCRETE PADS FOR TRANSFORMERS AND SERVICE EQUIPMENT. ADDITIONALLY PROVIDE CONDUIT STUBS INTO TRENCH PER POWER COMPANY SPECIFICATIONS AND REQUIREMENTS.
- ALL WIRING SHALL BE COPPER. WIRING #4 AWG AND LARGER SHALL BE XHHW TYPE INSULATION.

**POLE MOUNTED FIXTURE DETAIL**



**FIXTURE TYPE 'S4' / 'S7'**

THE POLE CONCRETE BASE DETAIL IS SHOWN FOR ELECTRICAL ROUGH-IN AND SHALL NOT BE USED FOR THE ACTUAL BASE CONSTRUCTION. POLE BASE SHALL BE DESIGNED BY A REGISTERED STRUCTURAL PROFESSIONAL ENGINEER AND CONSTRUCTED PER STRUCTURAL ENGINEER'S SEALED CONSTRUCTION DOCUMENT.

NOTE: ELECTRICAL CONTRACTOR SHALL BOND METAL POLE PER NEC 410.30(B)(5) AS SHOWN IN DETAIL.

**LUMINAIRE SCHEDULE**

- PROVIDE 90 MINUTE EMERGENCY BATTERY BACK-UP FOR ALL EMERGENCY FIXTURES. SEE SCHEDULE BELOW FOR SPECIFICATIONS AND LUMEN REQUIREMENTS.
- MODULAR WIRING SYSTEM FOR LIGHT FIXTURES IS AN ACCEPTABLE ALTERNATE.
- BASE BID FOR LUMINAIRES SHALL BE BASED ON MANUFACTURERS LISTED IN CONTRACT DOCUMENTS. UPON AWARD OF PROJECT, ALTERNATES PROPOSED BY CONTRACTOR SHALL BE SUBMITTED WITH WRITTEN OWNER APPROVAL & AN ITEMIZED DEDUCT TO BASE BID.
- ALTERNATE FIXTURE SELECTIONS MAY REQUIRE ADDITIONAL TIME FOR SUBMITTAL REVIEW & POSSIBLE ENGINEERING DESIGN CHANGES. TO BE BILLED TO THE CONTRACTOR.
- PROVIDE MINIMUM 10 MINUTE TIME DELAY ON EMERGENCY FIXTURES WHEN HID AREA LIGHTING IS USED.

MARK	MANUFACTURER MODEL NUMBER	VOLTS	LAMPS CRI/CCT INPUT WATTS	REMARKS/MOUNTING
S1	LITHONIA LIGHTING DSXW2-LED-200-1000 30K-T4M-MVOLT-DBLXD	MVOLT	LED 3000K 109W	WALL MOUNTED AREA LIGHT. PROVIDE WITH 90 MINUTE BATTERY BACKUP WHERE NOTED 'EM'.
S4	LITHONIA LIGHTING RSX1-LED-P3-30K-R3 HS-SPA-DBLXD	MVOLT	LED 3000K 110W	POLE MOUNTED FIXTURE. REFER TO POLE MOUNTED FIXTURE DETAIL THIS SHEET.
S7	LITHONIA LIGHTING RSX1-LED-P3-30K-R4 HS-DBLXD	MVOLT	LED 3000K 110W	POLE MOUNTED FIXTURE. REFER TO POLE MOUNTED FIXTURE DETAIL THIS SHEET.
S8	LITHONIA LIGHTING LDNSCYL-30,05-LOGAR LD-WM-DBL	MVOLT	LED >80/3000K 6W	6" WALL MOUNTED CYLINDER. WET LOCATION RATED. DIMMABLE.

**PRELIMINARY NOT FOR CONSTRUCTION**

**KEY PLAN**



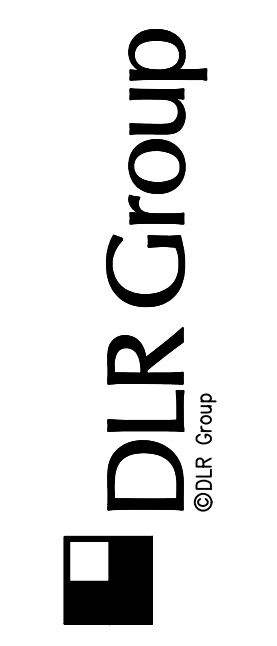
**DESIGN CODES**  
IECC, 2018    NEC, 2017

**ELECTRICAL CONTRACTOR SHALL NOTIFY DESIGNER/ENGINEER PRIOR TO ANY DEVIATION FROM THIS SET OF ELECTRICAL DESIGN PLANS. ANY CHANGES TO THE DESIGN, IF APPROVED BY ENGINEER, WILL REQUIRE REVISIONS TO PLANS AND POSSIBLE ADDITIONAL SERVICE FEE.**

Project Contact/Designer: Chad Curry  
Project # 21060  
**HAWKINS DESIGN GROUP INC.**  
ELECTRICAL CONSULTING ENGINEERS  
140 WEST HARVELL ROAD  
GILBERT, ARIZONA 85233  
Ph: 480.813.9000 Fax: 480.813.9001  
Email: email@hawkinsdsg.com

All concepts, designs and data indicated on these drawings are the sole property of the Hawkins Design Group Inc., and shall not be used for any other purpose other than originally intended without written permission of the engineer.

IF DRAWING IS NOT PLOTTED AT 24 X 36 THEY ARE NOT FULL SIZE



**PRELIMINARY NOT FOR CONSTRUCTION**  
Expires: xx/xx/xx



TOY BARN SCOTTSDALE

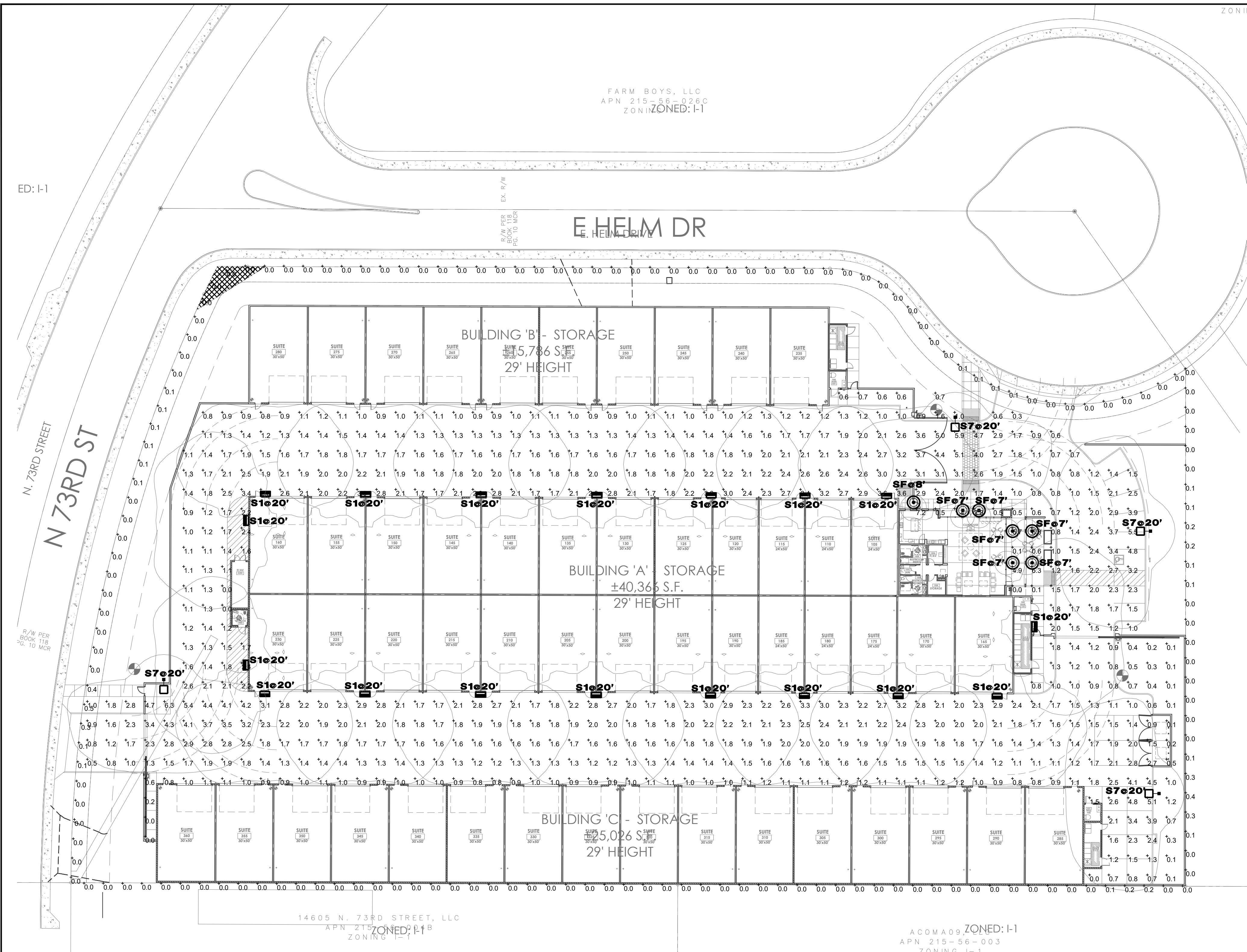
7301 E. Helm Rd  
Scottsdale, Arizona 85260

DESIGN REVIEW

(Date)  
3.5.2021  
(Revisions)

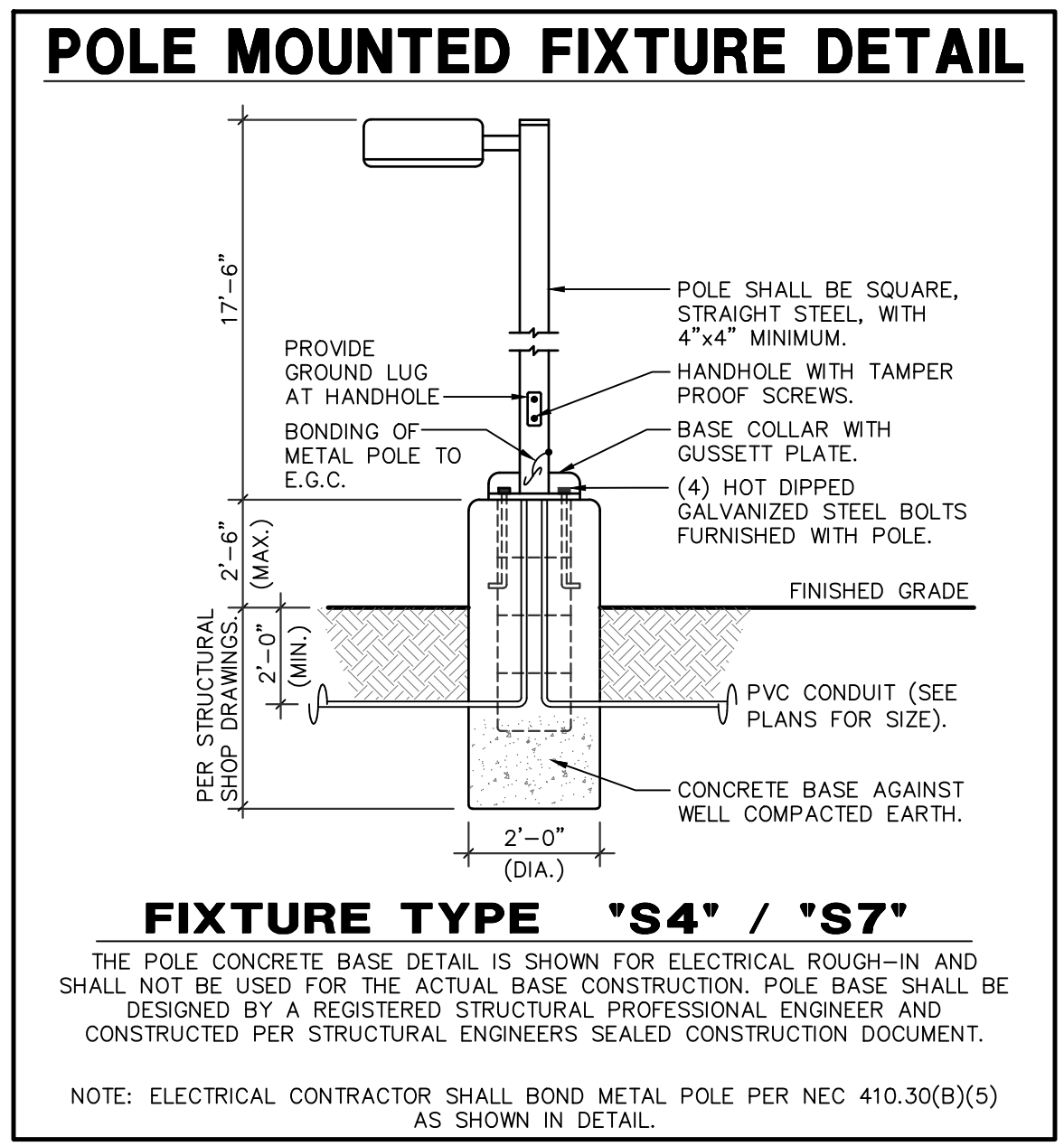
(Project Number)  
30-21125-00  
(Sheet Title)  
**ELECTRICAL SITE PLAN**

(Sheet Number)  
**ES1.0**



**SITE PHOTOMETRICS - PRE-CURFEW**  
 SCALE: 1" = 30'-0"  
 NORTH

NOTE:  
 ANY PROPOSED LIGHT FIXTURES INSTALLED ON PRIVATE PROPERTY, ADJACENT TO THE PUBLIC ROW, SHALL BE ORIENTED IN SUCH A MANNER OR LIMITED IN LUMEN OUTPUT TO PREVENT GLARE PROBLEMS AND SHALL NOT EXCEED NATIONAL I.E.S. LIGHTING STANDARDS FOR DISABILITY GLARE.



NOTE:  
 PRE-CURFEW DESIGN HOURS SHALL BE DEFINED FROM NOT LATER THAN ONE HOUR AFTER BUSINESS CLOSING AND POST-CURFEW DESIGN HOURS SHALL BE DEFINED AS NOT EARLIER THAN ONE HOUR BEFORE BUSINESS OPENING. ALL EXTERIOR LIGHTS SHALL BE DIMMED BY 60% DURING POST-CURFEW TO COMPLY WITH IECC 2018 C405.2.6. EXTERIOR LIGHTING CONTROLS.

**PRELIMINARY  
 NOT FOR CONSTRUCTION**

Statistics						
Description	Symbol	Avg	Max	Min	Max/Min	Avg/Min
FC @ GRADE	+	1.8 fc	7.2 fc	0.0 fc	N/A	N/A
PROPERTY LINE @ 6'	+	0.0 fc	0.5 fc	0.0 fc	N/A	N/A

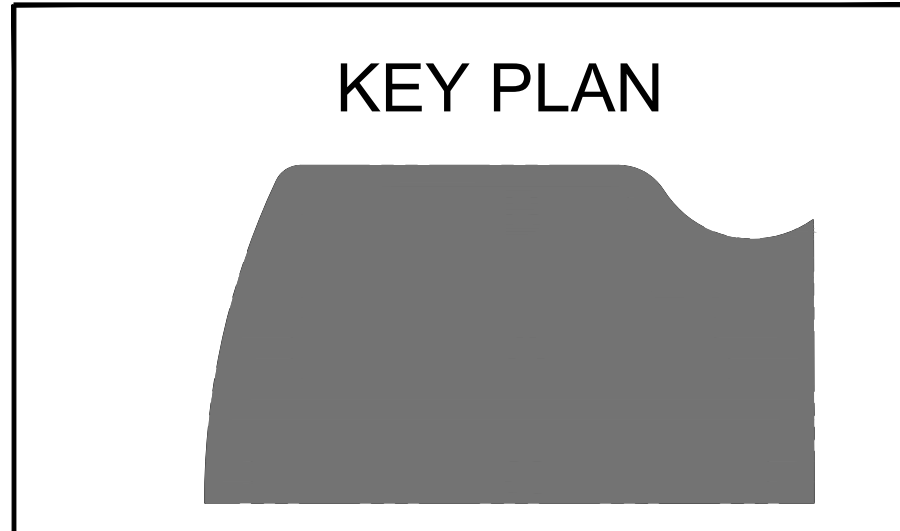
Schedule									
Symbol	Label	QTY	Manufacturer	Catalog Number	Description	Lamp	Lumens per Lamp	LLF	Wattage
S1	S1	18	Lithonia Lighting	DSKW2 LED 200-1000 30K T4M MVOLT DBLXD	DSKW2 LED WITH 3 LIGHT ENGINES, 30 LEDs, 1000mA DRIVER, 3000K LED, TYPE 4 MEDIUM OPTIC	LED-3000K	7076	0.95	73
S4	S4	0	Lithonia Lighting	RSX1 LED P3 30K R3 HS SPA DBLXD / SSS 17.5" POLE WITH 2.5" BASE	RSX Area Fixture Size 1 P3 Lumen Package 3000K CCT Type R3 Distribution with HS Shield	LED-3000K	9737	0.95	109,442
S7	S7	4	Lithonia Lighting	RSX1 LED P3 30K R4 HS DBLXD / SSS 17.5" POLE WITH 2.5" BASE	RSX Area Fixture Size 1 P3 Lumen Package 3000K CCT Type R4 Distribution with HS Shield	LED-3000K	9394	0.95	109,442
SF	SF	7	Lithonia Lighting	LDN6CYL 3005 LOSAR LD VM	6IN LDN CYLINDER, 3000K, 500LM, CLEAR, MATTE DIFFUSE REFLECTOR, CR90	LED-3000K	462	0.95	5.74

**DESIGN CODES**  
 IECC, 2018    NEC, 2017

**ELECTRICAL CONTRACTOR SHALL NOTIFY DESIGNER/ENGINEER PRIOR TO ANY DEVIATION FROM THIS SET OF ELECTRICAL DESIGN PLANS. ANY CHANGES TO THE DESIGN, IF APPROVED BY ENGINEER, WILL REQUIRE REVISIONS TO PLANS AND POSSIBLE ADDITIONAL SERVICE FEE.**

Project Contact/Designer: **Chad Curry**  
 Project # 21060  
**HAWKINS DESIGN GROUP INC.**  
 ELECTRICAL CONSULTING ENGINEERS  
 140 WEST HARVELL ROAD  
 GLEBE, ARIZONA 85235  
 Ph. 480.813.9000 Fax. 480.813.9001  
 EMAIL: email@hawkinsdsg.com

All concepts, designs and data indicated on these drawings are the sole property of the Hawkins Design Group Inc., and shall not be used for any other purpose other than originally intended without written permission of the engineer.



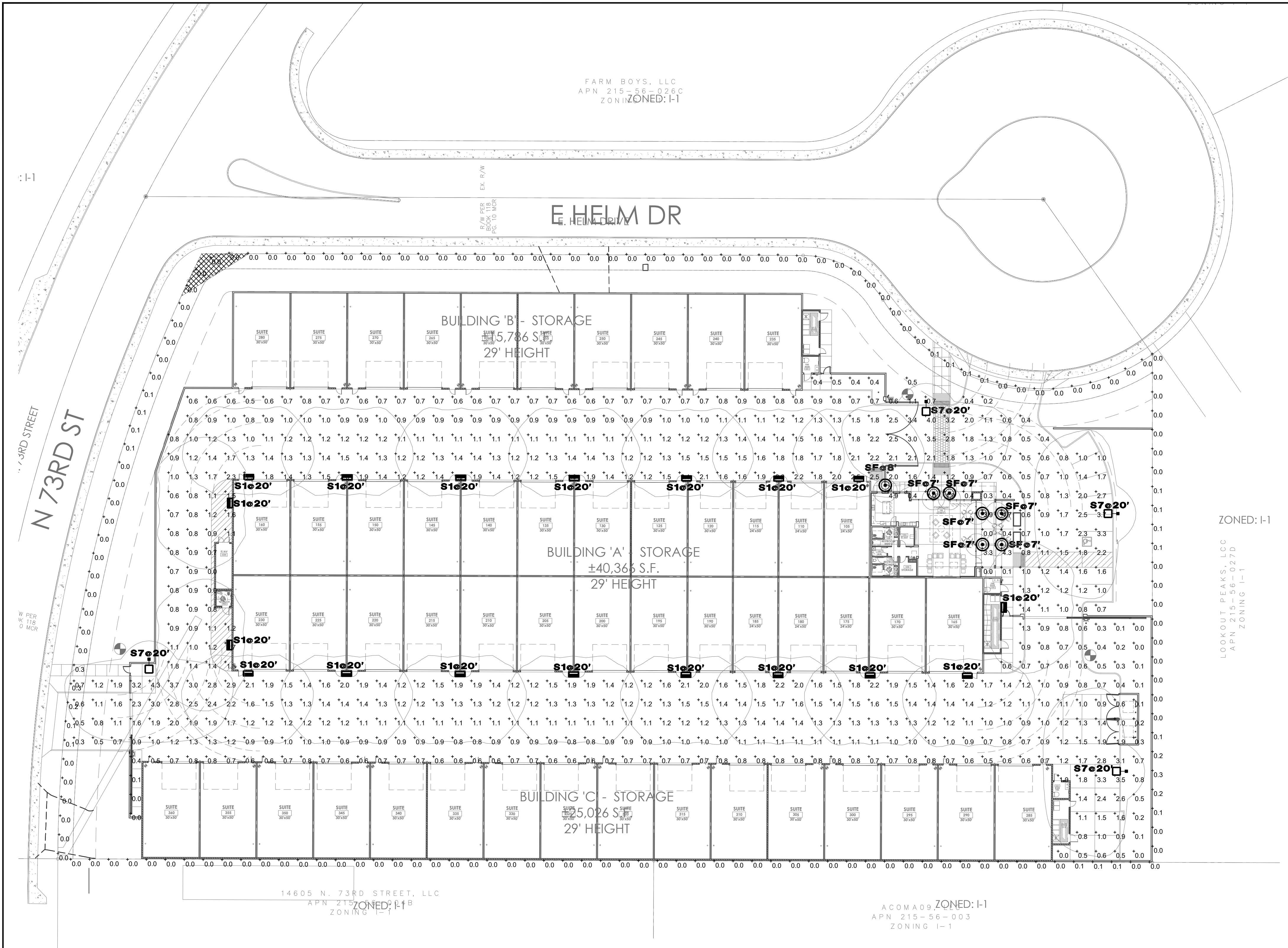
**PRELIMINARY NOT FOR CONSTRUCTION**  
 Expires: xx/xx/xx



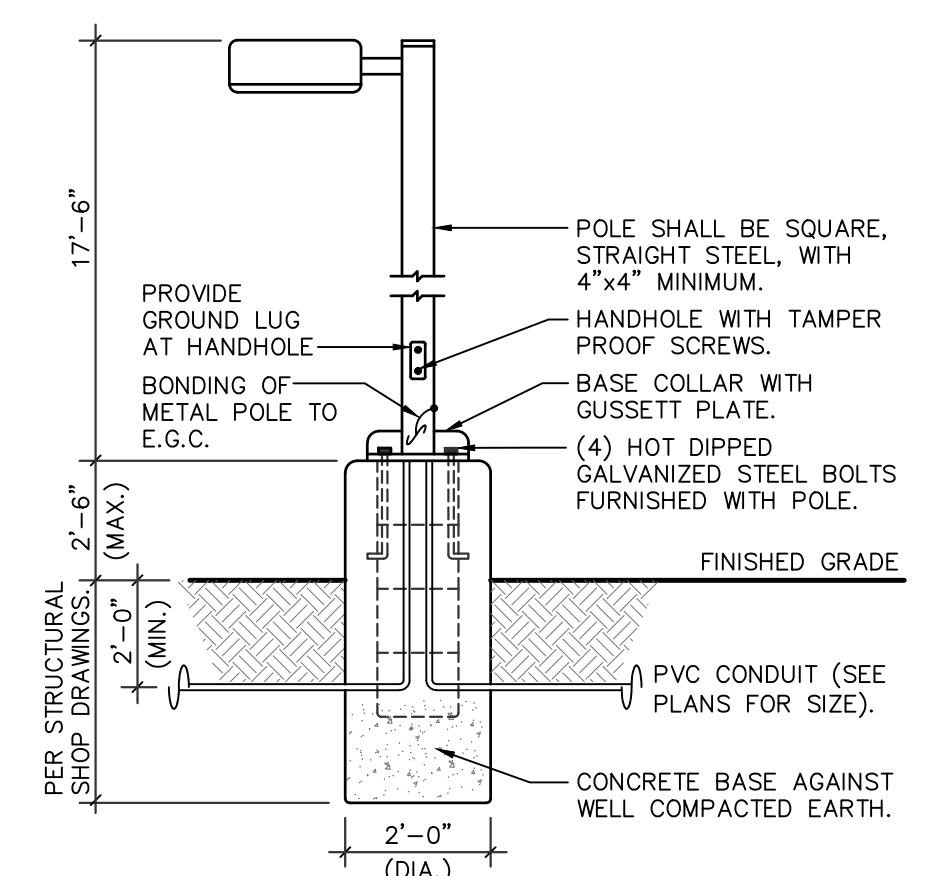
**TOY BARN SCOTTSDALE**  
 7301 E. Helm Rd  
 Scottsdale, Arizona 85260

DESIGN REVIEW  
 (Date) 3.5.2021  
 (Revisions)

IF DRAWING IS NOT PLOTTED AT 24 X 36 THEY ARE NOT FULL SIZE



**POLE MOUNTED FIXTURE DETAIL**



**FIXTURE TYPE 'S4' / 'S7'**

THE POLE CONCRETE BASE DETAIL IS SHOWN FOR ELECTRICAL ROUGH-IN AND SHALL NOT BE USED FOR THE ACTUAL BASE CONSTRUCTION. POLE BASE SHALL BE DESIGNED BY A REGISTERED STRUCTURAL PROFESSIONAL ENGINEER AND CONSTRUCTED PER STRUCTURAL ENGINEERS SEALED CONSTRUCTION DOCUMENT.  
NOTE: ELECTRICAL CONTRACTOR SHALL BOND METAL POLE PER NEC 410.30(B)(5) AS SHOWN IN DETAIL.

NOTE: PRE-CURFEW DESIGN HOURS SHALL BE DEFINED FROM NOT LATER THAN ONE HOUR AFTER BUSINESS CLOSING AND POST-CURFEW DESIGN HOURS SHALL BE DEFINED AS NOT EARLIER THAN ONE HOUR BEFORE BUSINESS OPENING. ALL EXTERIOR LIGHTS SHALL BE DIMMED BY 60% DURING POST-CURFEW TO COMPLY WITH IECC 2018 C405.2.6. EXTERIOR LIGHTING CONTROLS.

**PRELIMINARY  
NOT FOR CONSTRUCTION**

Statistics						
Description	Symbol	Avg	Max	Min	Max/Min	Avg/Min
FC @ GRADE	+	1.2 fc	4.9 fc	0.0 fc	N/A	N/A
PROPERTY LINE @ 6'	+	0.0 fc	0.3 fc	0.0 fc	N/A	N/A

Symbol	Label	QTY	Manufacturer	Catalog Number	Description	Lamp	Lumens per Lamp	LLF	Wattage
S1	S1	18	Lithonia Lighting	DSKW2 LED 20C 1000 30K T4M MVOLT DBLXD	DSKW2 LED WITH 3 LIGHT ENGINES, 20 LEDs, 1000mA DRIVER, 3000K LED, TYPE 4 MEDIUM OPTIC	LED-3000K	7076	0.65	73
S4	S4	0	Lithonia Lighting	RSX1 LED P3 30K R3 HS SPA DBLXD / SSS 17.5' POLE WITH 2.5' BASE	RSX Area Fixture Size 1 P3 Lumen Package 3000K CCT Type R4 Distribution with HS Shield	LED-3000K	9737	0.65	109,442
S7	S7	4	Lithonia Lighting	RSX1 LED P3 30K R4 HS DBLXD / SSS 17.5' POLE WITH 2.5' BASE	RSX Area Fixture Size 1 P3 Lumen Package 3000K CCT Type R4 Distribution with HS Shield	LED-3000K	9394	0.65	109,442
SF	SF	7	Lithonia Lighting	LDN6CYL 3005 LOSAR LD VM	6IN LDN CYLINDER, 3000K, 500LM, CLEAR, MATTE DIFFUSE REFLECTOR, CRIM	LED-3000K	462	0.65	5.74

**SITE PHOTOMETRICS - POST-CURFEW**  
SCALE: 1" = 30'-0"

NOTE:  
ANY PROPOSED LIGHT FIXTURES INSTALLED ON PRIVATE PROPERTY, ADJACENT TO THE PUBLIC ROW, SHALL BE ORIENTED IN SUCH A MANNER OR LIMITED IN LUMEN OUTPUT TO PREVENT GLARE PROBLEMS AND SHALL NOT EXCEED NATIONAL I.E.S. LIGHTING STANDARDS FOR DISABILITY GLARE.

**DESIGN CODES**  
IECC, 2018    NEC, 2017

**ELECTRICAL CONTRACTOR SHALL NOTIFY DESIGNER/ENGINEER PRIOR TO ANY DEVIATION FROM THIS SET OF ELECTRICAL DESIGN PLANS. ANY CHANGES TO THE DESIGN, IF APPROVED BY ENGINEER, WILL REQUIRE REVISIONS TO PLANS AND POSSIBLE ADDITIONAL SERVICE FEE.**

Project Contact/Designer: **Chad Curry**  
Project # 21060  
**HAWKINS DESIGN GROUP INC.**  
ELECTRICAL CONSULTING ENGINEERS  
140 WEST HARVELL ROAD  
GLBERT, ARIZONA, 85235  
Ph: 480.813.9000 Fax: 480.813.9001  
EMAIL: email@hawkinsdsg.com

**KEY PLAN**



**PRELIMINARY NOT FOR CONSTRUCTION**  
Expires: xx/xx/xx



**TOY BARN SCOTTSDALE**  
7301 E. Helm Rd  
Scottsdale, Arizona 85260

DESIGN REVIEW


(Date)  
3.5.2021  
(Revisions)

(Project Number)  
30-21125-00  
(Sheet Title)  
**ELECTRICAL SITE PHOTOMETRICS**

(Sheet Number)  
**ES2.1**

### D-Series Size 2 LED Wall Luminaire

**d'series**



**Specifications Luminaire:**  
 Width: 18-1/2" (467 mm)  
 Depth: 10" (254 mm)  
 Height: 7-5/8" (194 mm)

**Back Box (BBW):**  
 Width: 5-1/2" (140 mm)  
 Depth: 1-1/2" (38 mm)  
 Height: 4" (102 mm)

**Weight:** 21 lbs (9.5 kg)

**Capable Luminaire**  
 This item is an A+ capable luminaire, which has been designed and tested to provide consistent color appearance and system-level interoperability.

- All configurations of this luminaire meet the Acuity Brands' specification for chromatic consistency.
- This luminaire is A+ Certified when ordered with DTL® controls marked by a shaded background. DTL DLL equipped luminaires meet the A+ specification for luminaire to photometric interoperability.
- This luminaire is part of an A+ Certified solution for ROAM™ or XPPoint™ Wireless control networks, providing out-of-the-box control compatibility with simple commissioning, when ordered with drivers and control options marked by a shaded background.

To learn more about A+, visit [www.acuitybrands.com/aplus](http://www.acuitybrands.com/aplus)

- See ordering tier for details.
- A+ Certified Solutions for ROAM require the order of one ROAM node per luminaire. Sold Separately. Link to Roam: [Link to Roam](#)

**Ordering Information** EXAMPLE: DSXW2 LED 30C 700 40K T3M MVOLT DDBTD

Series	LEDs	Color Correlated Color Temperature	Beam Spread	Mounting	Control Options
DSXW2 LED	300	4000K	T3M	MVOLT	DDBTD

**Accessories:** DSXW2 LED 30C 700 40K T3M MVOLT DDBTD

Series	LEDs	Color Correlated Color Temperature	Beam Spread	Mounting	Control Options
DSXW2 LED	300	4000K	T3M	MVOLT	DDBTD

**Shipping Information:** DSXW2 LED 30C 700 40K T3M MVOLT DDBTD

Series	LEDs	Color Correlated Color Temperature	Beam Spread	Mounting	Control Options
DSXW2 LED	300	4000K	T3M	MVOLT	DDBTD

LITHONIA LIGHTING One Lithonia Way • Conyers, Georgia 30012 • Phone: 1-800-705-SERV (7378) • [www.lithonia.com](http://www.lithonia.com)  
 © 2018-2021 Acuity Brands Lighting, Inc. All rights reserved. DSXW2 LED Rev. 04/21/20 Page 1 of 4

**Ordering Information**

**Accessories:** DSXW2 LED 30C 700 40K T3M MVOLT DDBTD

Series	LEDs	Color Correlated Color Temperature	Beam Spread	Mounting	Control Options
DSXW2 LED	300	4000K	T3M	MVOLT	DDBTD

**Performance Data**


**Lumen Output**

Series	LEDs	Color Correlated Color Temperature	Beam Spread	Mounting	Control Options
DSXW2 LED	300	4000K	T3M	MVOLT	DDBTD

LITHONIA LIGHTING One Lithonia Way • Conyers, Georgia 30012 • Phone: 1-800-705-SERV (7378) • [www.lithonia.com](http://www.lithonia.com)  
 © 2018-2021 Acuity Brands Lighting, Inc. All rights reserved. DSXW2 LED Rev. 04/21/20 Page 2 of 4

### RSX1 LED Area Luminaire

**Area Luminaire**



**Specifications:**  
 EPA (ft²/ft): 0.57 ft² (0.05 m²)  
 Length: 21.8" (55.4 cm)  
 Width: 13.3" (33.8 cm)  
 Height: 3.0" (7.6 cm) Main Body, 7.2" (18.4 cm) Arm  
 Weight (SPA mount): 22.0 lbs (10.0 kg)

**Ordering Information** EXAMPLE: RSX1 LED P4 40K R3 MVOLT SPA DDBXD

Series	Performance Package	Color Temperature	Distribution	Mounting	Control Options
RSX1 LED	P4	4000K	R3	MVOLT	DDBXD

**Ordering Information** EXAMPLE: RSX1 LED P4 40K R3 MVOLT SPA DDBXD

Series	Performance Package	Color Temperature	Distribution	Mounting	Control Options
RSX1 LED	P4	4000K	R3	MVOLT	DDBXD

LITHONIA LIGHTING One Lithonia Way • Conyers, Georgia 30012 • Phone: 1-800-705-SERV (7378) • [www.acuitybrands.com](http://www.acuitybrands.com)  
 © 2018-2021 Acuity Brands Lighting, Inc. All rights reserved. LITHONIA RSX1 Area LED Rev. 02/21/20 Page 1 of 9

**Ordering Information**

**Accessories:** RSX1 LED P4 40K R3 MVOLT SPA DDBXD

Series	Performance Package	Color Temperature	Distribution	Mounting	Control Options
RSX1 LED	P4	4000K	R3	MVOLT	DDBXD

**Performance Data**


**Lumen Output**

Series	Performance Package	Color Temperature	Distribution	Mounting	Control Options
RSX1 LED	P4	4000K	R3	MVOLT	DDBXD

LITHONIA LIGHTING One Lithonia Way • Conyers, Georgia 30012 • Phone: 1-800-705-SERV (7378) • [www.acuitybrands.com](http://www.acuitybrands.com)  
 © 2018-2021 Acuity Brands Lighting, Inc. All rights reserved. LITHONIA RSX1 Area LED Rev. 02/21/20 Page 2 of 9

### LITHONIA LIGHTING LDN6CYL

**6" CYLINDER Non-IC**



**FEATURES & SPECIFICATIONS**  
 INTENDED USE — Typical applications include corridors, lobbies, conference rooms and private offices.  
 CONSTRUCTION — Heavy-gauge aluminum housing.  
 CEILING MOUNT — Heavy-gauge aluminum housing.  
 CEILING MOUNT — Heavy-gauge aluminum housing.  
 CEILING MOUNT — Heavy-gauge aluminum housing.

**Ordering Information** EXAMPLE: LDN6CYL 35/15 LOGAR LSS MVOLT E21 FCZM DWHG

Series	Color Temperature	Lumens	Aperture/Trim Color	Finish	Voltage
LDN6CYL 6" cylinder	35/ 3500K	1500 lumens	US6 Round/Black	LSS Specular	120V

**Ordering Information** EXAMPLE: LDN6CYL 35/15 LOGAR LSS MVOLT E21 FCZM DWHG

Series	Color Temperature	Lumens	Aperture/Trim Color	Finish	Voltage
LDN6CYL 6" cylinder	35/ 3500K	1500 lumens	US6 Round/Black	LSS Specular	120V

LITHONIA LIGHTING One Lithonia Way Conyers, Georgia 30012 Phone: 800-705-SERV (7378) www.lithonia.com  
 © 2015-2021 Acuity Brands Lighting, Inc. All rights reserved. Rev. 01/07/21

**Ordering Information**

**Accessories:** LDN6CYL 35/15 LOGAR LSS MVOLT E21 FCZM DWHG

Series	Color Temperature	Lumens	Aperture/Trim Color	Finish	Voltage
LDN6CYL 6" cylinder	35/ 3500K	1500 lumens	US6 Round/Black	LSS Specular	120V

**Performance Data**

**Lumen Output**

Series	Color Temperature	Lumens	Aperture/Trim Color	Finish	Voltage
LDN6CYL 6" cylinder	35/ 3500K	1500 lumens	US6 Round/Black	LSS Specular	120V

LITHONIA LIGHTING One Lithonia Way Conyers, Georgia 30012 Phone: 800-705-SERV (7378) www.lithonia.com  
 © 2015-2021 Acuity Brands Lighting, Inc. All rights reserved. Rev. 01/07/21

**DLR Group**  
 ©DLR Group

**PRELIMINARY NOT FOR CONSTRUCTION**  
 Expires: XX/XX/XX



**TOY BARN SCOTTSDALE**  
 7301 E. Helm Rd  
 Scottsdale, Arizona 85260

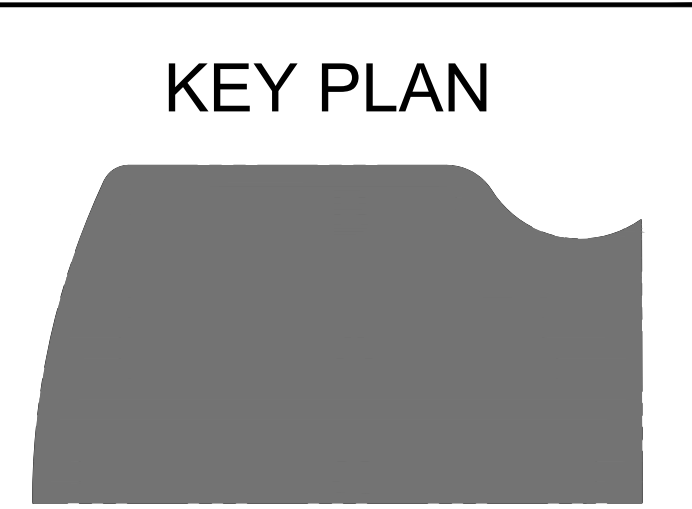
DESIGN REVIEW  
 (Date) 3.5.2021  
 (Revisions)

**DESIGN CODES**  
 IECC: 2018  
 NEC: 2017

**ELECTRICAL CONTRACTOR SHALL NOTIFY DESIGNER/ENGINEER PRIOR TO ANY DEVIATION FROM THIS SET OF ELECTRICAL DESIGN PLANS. ANY CHANGES TO THE DESIGN, IF APPROVED BY ENGINEER, WILL REQUIRE REVISIONS TO PLANS AND POSSIBLE ADDITIONAL SERVICE FEE.**

**HAWKINS DESIGN GROUP INC.**  
 ELECTRICAL CONSULTING ENGINEERS  
 140 WEST HARVELL ROAD  
 GLENDALE, ARIZONA 85304  
 PH: 480.813.9000 FAX: 480.813.9001  
 EMAIL: [email@hawkinsdgc.com](mailto:email@hawkinsdgc.com)

IF DRAWING IS NOT PLOTTED AT 24 X 36 THEY ARE NOT FULL SIZE



ES3.0