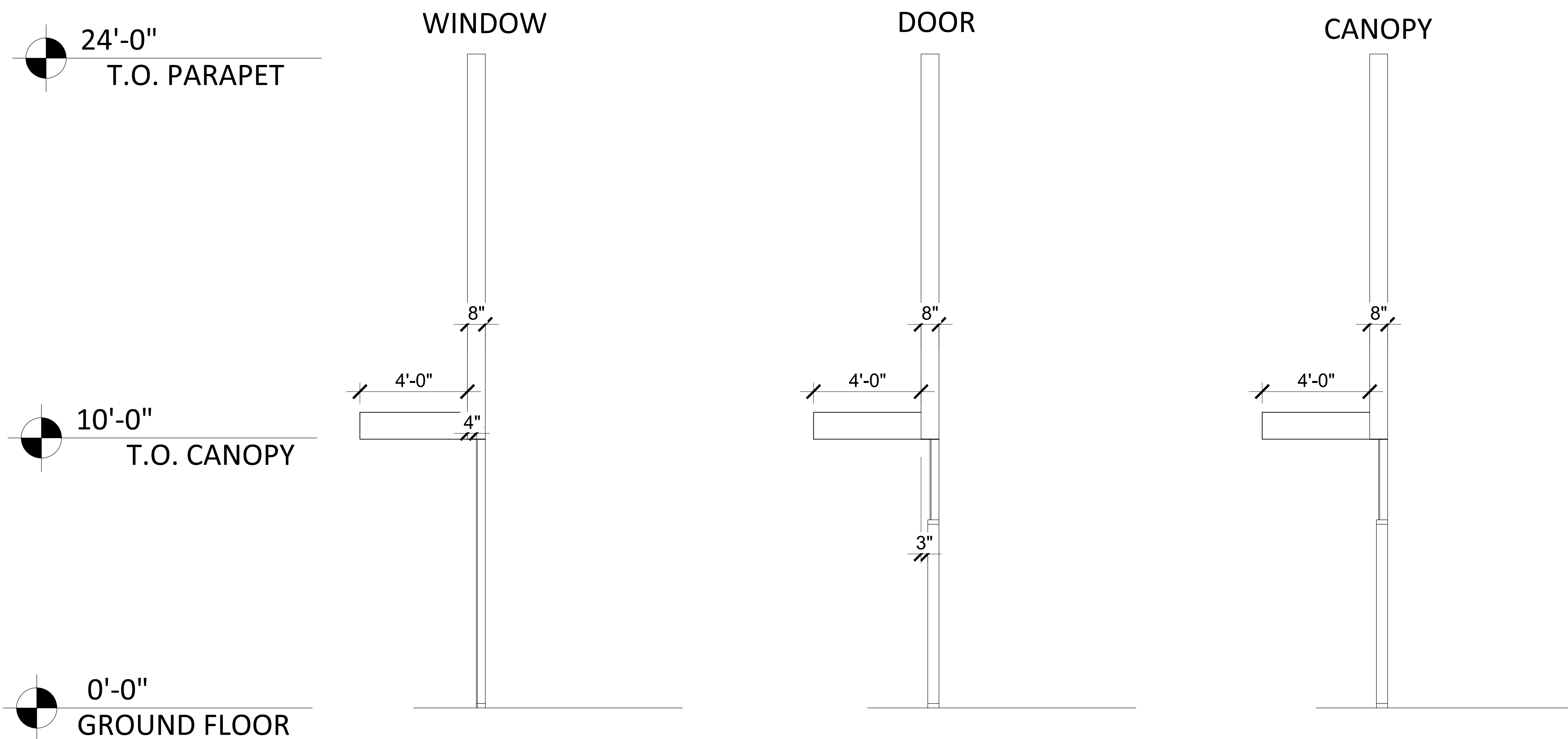


PAD A SECTION DETAILS

SCALE: 1/2"=1'-0"



PAD B SECTION DETAILS

SCALE: 3/4"=1'-0"

MCDOWELL - HAYDEN MULTI-TENANT

8101 E MCDOWELL ROAD SCOTTSDALE AZ 85257

E OF SEC OF MCDOWELL RD AND HAYDEN RD

DATE: 10-07-2021 (PRELIMINARY)



© 2021 R K A A
ARCHITECTS, INC. ALL
RIGHTS RESERVED.
THIS DRAWING IS AN
INSTRUMENT OF
SERVICE. IT IS THE
PROPERTY OF R K A A
ARCHITECTS, INC. AND
MAY NOT BE
DUPLICATED, USED OR
DISCLOSED WITHOUT
WRITTEN PERMISSION
OF THE ARCHITECT.

SEC-1

RKAA# 18107.00

