



FEATURES & SPECIFICATIONS

INTENDED USE — The CLX is a linear lighting solution that is available in multiple lengths, lumen packages and distributions. Designed for versatility, the CLX can address virtually any indoor lighting need.

CONSTRUCTION — Channel and cover are formed from code-grade cold-rolled steel. Housing and lens encapings are injection molded plastic to provide a more aesthetically pleasing look and feel.

ELECTRICAL — Utilizes high output LED integrated on a two-layer circuit board, ensuring cool-running operation. Optional internal pluggable wiring harness for reduced labor cost in new mounting applications.

INSTALLATION — Fixture may be ceiling or wall mounted (with or without THXLX hanger or angle mount) with CLXANGRT, pendant or stem mounted with appropriate mounting options.

WARNING — Removing the lens and opening the fixture during installation exposes the LEDs, putting them at risk for damage.

LISTINGS — CSA certified to US and Canadian safety standards. For use in damp locations between -4°F (-20°C) and 104°F (40°C). Optional High Ambient (HA) ranging to 122°F (50°C) available on certain lumen packages.

BUY AMERICAN — Product with the BA option is assembled in the USA and meets the Buy American government procurement requirements under FAR, DFARS and DOT.

WARRANTY — 5-year limited warranty. Complete warranty terms located at: www.acuitybrands.com/support/warranty/terms-and-conditions

Notes: Actual performance may differ as a result of end-user environment and application. All values are design or typical values, measured under laboratory conditions at 25°C. Specifications subject to change without notice.

Table with columns: Stock Part Number, UPC, DGC OPT. Product ID, DGC Premium, and a list of various CLX LED Linear models with their specifications.

INDUSTRIAL Page 1 of 14

Table with columns: Catalog Number, Notes, Type

S13 LED Linear CLX



Capable Luminaire section describing the fixture's compatibility with nLight control networks and providing a link to the ordering tree.

CLX LED Linear

Table with columns: Series, Length, Nominal lumens, Performance package, Louver, Lens. Includes ordering information and example: CLX L48 5000LM SEF WDL MVOLT GZ10 4K 80CRI WH

Table with columns: Distribution, Voltage, Driver, Color temperature, Color rendering index. Lists various distribution options and their specifications.

Table with columns: Options, Finish. Lists various options like PS1050, L70WCLP, BGRID, HA, EPKNO, OUTTR, CHASESETS, CS7W, CS3W, CS2W, CS17W, CS25W, CS97W, CS99W, CSW6HG10W50 and finish options like WH, GALV, GALVB, MB, SKYW, SKG7V, MS27, MS27P7, MS27AD, MS27AD7C, MS27P7AD7C.

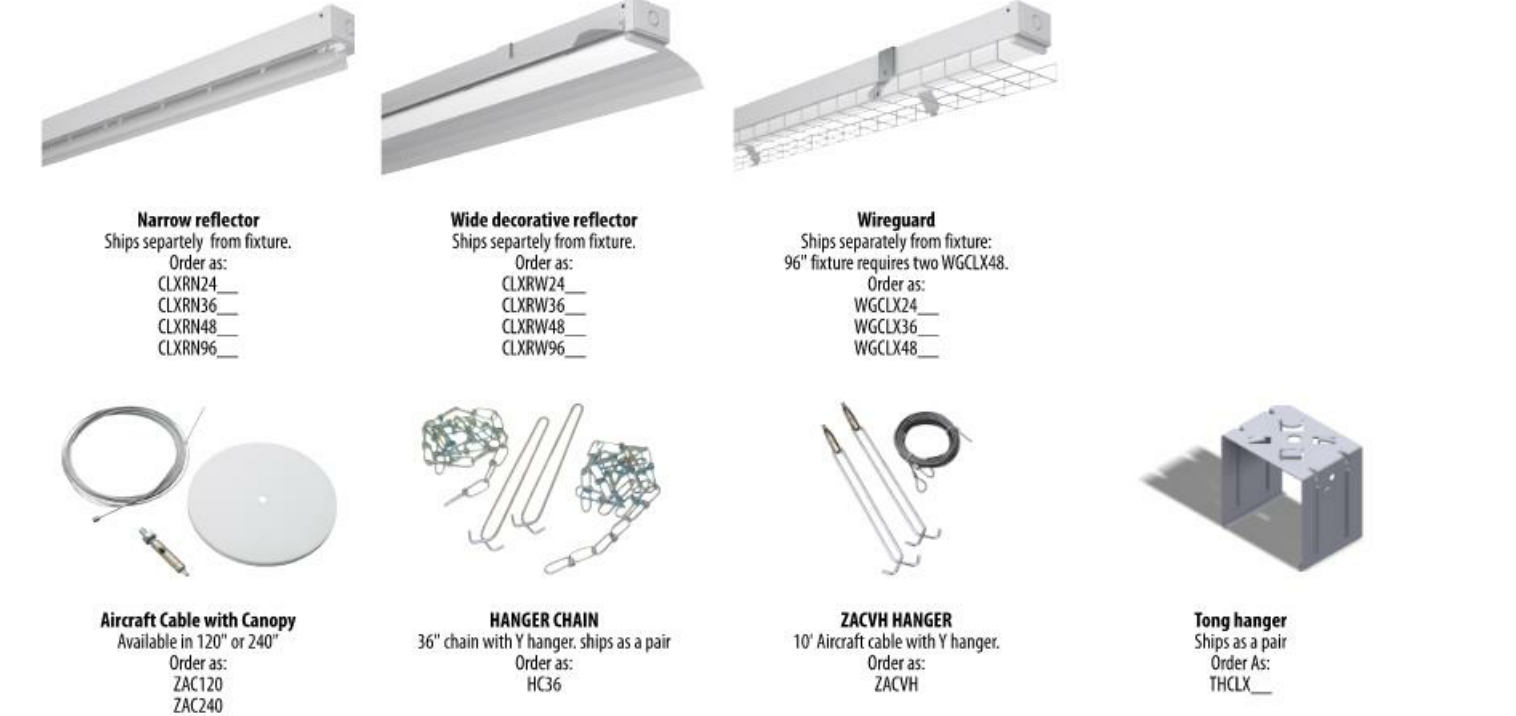
INDUSTRIAL Page 2 of 14

CLX LED Linear

Table with columns: Accessories: Order as separate catalog number. Lists various accessories like THXLX, CLXANGRT, HCLM M12, ZAC20, ZAC120, ZAC120P, ZAC120D, ZAC120E, ZAC120F, ZAC120G, ZAC120H, ZAC120I, ZAC120J, ZAC120K, ZAC120L, ZAC120M, ZAC120N, ZAC120O, ZAC120P, ZAC120Q, ZAC120R, ZAC120S, ZAC120T, ZAC120U, ZAC120V, ZAC120W, ZAC120X, ZAC120Y, ZAC120Z, ZAC120AA, ZAC120AB, ZAC120AC, ZAC120AD, ZAC120AE, ZAC120AF, ZAC120AG, ZAC120AH, ZAC120AI, ZAC120AJ, ZAC120AK, ZAC120AL, ZAC120AM, ZAC120AN, ZAC120AO, ZAC120AP, ZAC120AQ, ZAC120AR, ZAC120AS, ZAC120AT, ZAC120AU, ZAC120AV, ZAC120AW, ZAC120AX, ZAC120AY, ZAC120AZ, ZAC120BA, ZAC120BB, ZAC120BC, ZAC120BD, ZAC120BE, ZAC120BF, ZAC120BG, ZAC120BH, ZAC120BI, ZAC120BJ, ZAC120BK, ZAC120BL, ZAC120BM, ZAC120BN, ZAC120BO, ZAC120BP, ZAC120BQ, ZAC120BR, ZAC120BS, ZAC120BT, ZAC120BU, ZAC120BV, ZAC120BW, ZAC120BX, ZAC120BY, ZAC120BZ, ZAC120CA, ZAC120CB, ZAC120CC, ZAC120CD, ZAC120CE, ZAC120CF, ZAC120CG, ZAC120CH, ZAC120CI, ZAC120CJ, ZAC120CK, ZAC120CL, ZAC120CM, ZAC120CN, ZAC120CO, ZAC120CP, ZAC120CQ, ZAC120CR, ZAC120CS, ZAC120CT, ZAC120CU, ZAC120CV, ZAC120CW, ZAC120CX, ZAC120CY, ZAC120CZ, ZAC120DA, ZAC120DB, ZAC120DC, ZAC120DD, ZAC120DE, ZAC120DF, ZAC120DG, ZAC120DH, ZAC120DI, ZAC120DJ, ZAC120DK, ZAC120DL, ZAC120DM, ZAC120DN, ZAC120DO, ZAC120DP, ZAC120DQ, ZAC120DR, ZAC120DS, ZAC120DT, ZAC120DU, ZAC120DV, ZAC120DW, ZAC120DX, ZAC120DY, ZAC120DZ, ZAC120EA, ZAC120EB, ZAC120EC, ZAC120ED, ZAC120EE, ZAC120EF, ZAC120EG, ZAC120EH, ZAC120EI, ZAC120EJ, ZAC120EK, ZAC120EL, ZAC120EM, ZAC120EN, ZAC120EO, ZAC120EP, ZAC120EQ, ZAC120ER, ZAC120ES, ZAC120ET, ZAC120EU, ZAC120EV, ZAC120EW, ZAC120EX, ZAC120EY, ZAC120EZ, ZAC120FA, ZAC120FB, ZAC120FC, ZAC120FD, ZAC120FE, ZAC120FF, ZAC120FG, ZAC120FH, ZAC120FI, ZAC120FJ, ZAC120FK, ZAC120FL, ZAC120FM, ZAC120FN, ZAC120FO, ZAC120FP, ZAC120FQ, ZAC120FR, ZAC120FS, ZAC120FT, ZAC120FU, ZAC120FV, ZAC120FW, ZAC120FX, ZAC120FY, ZAC120FZ, ZAC120GA, ZAC120GB, ZAC120GC, ZAC120GD, ZAC120GE, ZAC120GF, ZAC120GG, ZAC120GH, ZAC120GI, ZAC120GJ, ZAC120GK, ZAC120GL, ZAC120GM, ZAC120GN, ZAC120GO, ZAC120GP, ZAC120GQ, ZAC120GR, ZAC120GS, ZAC120GT, ZAC120GU, ZAC120GV, ZAC120GW, ZAC120GX, ZAC120GY, ZAC120GZ, ZAC120HA, ZAC120HB, ZAC120HC, ZAC120HD, ZAC120HE, ZAC120HF, ZAC120HG, ZAC120HH, ZAC120HI, ZAC120HJ, ZAC120HK, ZAC120HL, ZAC120HM, ZAC120HN, ZAC120HO, ZAC120HP, ZAC120HQ, ZAC120HR, ZAC120HS, ZAC120HT, ZAC120HU, ZAC120HV, ZAC120HW, ZAC120HX, ZAC120HY, ZAC120HZ, ZAC120IA, ZAC120IB, ZAC120IC, ZAC120ID, ZAC120IE, ZAC120IF, ZAC120IG, ZAC120IH, ZAC120II, ZAC120IJ, ZAC120IK, ZAC120IL, ZAC120IM, ZAC120IN, ZAC120IO, ZAC120IP, ZAC120IQ, ZAC120IR, ZAC120IS, ZAC120IT, ZAC120IU, ZAC120IV, ZAC120IW, ZAC120IX, ZAC120IY, ZAC120IZ, ZAC120JA, ZAC120JB, ZAC120JC, ZAC120JD, ZAC120JE, ZAC120JF, ZAC120JG, ZAC120JH, ZAC120JI, ZAC120JJ, ZAC120JK, ZAC120JL, ZAC120JM, ZAC120JN, ZAC120JO, ZAC120JP, ZAC120JQ, ZAC120JR, ZAC120JS, ZAC120JT, ZAC120JU, ZAC120JV, ZAC120JW, ZAC120JX, ZAC120JY, ZAC120JZ, ZAC120KA, ZAC120KB, ZAC120KC, ZAC120KD, ZAC120KE, ZAC120KF, ZAC120KG, ZAC120KH, ZAC120KI, ZAC120KJ, ZAC120KL, ZAC120KM, ZAC120KN, ZAC120KO, ZAC120KP, ZAC120KQ, ZAC120KR, ZAC120KS, ZAC120KT, ZAC120KU, ZAC120KV, ZAC120KW, ZAC120KX, ZAC120KY, ZAC120KZ, ZAC120LA, ZAC120LB, ZAC120LC, ZAC120LD, ZAC120LE, ZAC120LF, ZAC120LG, ZAC120LH, ZAC120LI, ZAC120LJ, ZAC120LK, ZAC120LL, ZAC120LM, ZAC120LN, ZAC120LO, ZAC120LP, ZAC120LQ, ZAC120LR, ZAC120LS, ZAC120LT, ZAC120LU, ZAC120LV, ZAC120LW, ZAC120LX, ZAC120LY, ZAC120LZ, ZAC120MA, ZAC120MB, ZAC120MC, ZAC120MD, ZAC120ME, ZAC120MF, ZAC120MG, ZAC120MH, ZAC120MI, ZAC120MJ, ZAC120MK, ZAC120ML, ZAC120MN, ZAC120MO, ZAC120MP, ZAC120MQ, ZAC120MR, ZAC120MS, ZAC120MT, ZAC120MU, ZAC120MV, ZAC120MW, ZAC120MX, ZAC120MY, ZAC120MZ, ZAC120NA, ZAC120NB, ZAC120NC, ZAC120ND, ZAC120NE, ZAC120NF, ZAC120NG, ZAC120NH, ZAC120NI, ZAC120NJ, ZAC120NK, ZAC120NL, ZAC120NM, ZAC120NN, ZAC120NO, ZAC120NP, ZAC120NQ, ZAC120NR, ZAC120NS, ZAC120NT, ZAC120NU, ZAC120NV, ZAC120NW, ZAC120NX, ZAC120NY, ZAC120NZ, ZAC120OA, ZAC120OB, ZAC120OC, ZAC120OD, ZAC120OE, ZAC120OF, ZAC120OG, ZAC120OH, ZAC120OI, ZAC120OJ, ZAC120OK, ZAC120OL, ZAC120OM, ZAC120ON, ZAC120OO, ZAC120OP, ZAC120OQ, ZAC120OR, ZAC120OS, ZAC120OT, ZAC120OU, ZAC120OV, ZAC120OW, ZAC120OX, ZAC120OY, ZAC120OZ, ZAC120PA, ZAC120PB, ZAC120PC, ZAC120PD, ZAC120PE, ZAC120PF, ZAC120PG, ZAC120PH, ZAC120PI, ZAC120PJ, ZAC120PK, ZAC120PL, ZAC120PM, ZAC120PN, ZAC120PO, ZAC120PP, ZAC120PQ, ZAC120PR, ZAC120PS, ZAC120PT, ZAC120PU, ZAC120PV, ZAC120PW, ZAC120PX, ZAC120PY, ZAC120PZ, ZAC120QA, ZAC120QB, ZAC120QC, ZAC120QD, ZAC120QE, ZAC120QF, ZAC120QG, ZAC120QH, ZAC120QI, ZAC120QJ, ZAC120QK, ZAC120QL, ZAC120QM, ZAC120QN, ZAC120QO, ZAC120QP, ZAC120QQ, ZAC120QR, ZAC120QS, ZAC120QT, ZAC120QU, ZAC120QV, ZAC120QW, ZAC120QX, ZAC120QY, ZAC120QZ, ZAC120RA, ZAC120RB, ZAC120RC, ZAC120RD, ZAC120RE, ZAC120RF, ZAC120RG, ZAC120RH, ZAC120RI, ZAC120RJ, ZAC120RK, ZAC120RL, ZAC120RM, ZAC120RN, ZAC120RO, ZAC120RP, ZAC120RQ, ZAC120RR, ZAC120RS, ZAC120RT, ZAC120RU, ZAC120RV, ZAC120RW, ZAC120RX, ZAC120RY, ZAC120RZ, ZAC120SA, ZAC120SB, ZAC120SC, ZAC120SD, ZAC120SE, ZAC120SF, ZAC120SG, ZAC120SH, ZAC120SI, ZAC120SJ, ZAC120SK, ZAC120SL, ZAC120SM, ZAC120SN, ZAC120SO, ZAC120SP, ZAC120SQ, ZAC120SR, ZAC120SS, ZAC120ST, ZAC120SU, ZAC120SV, ZAC120SW, ZAC120SX, ZAC120SY, ZAC120SZ, ZAC120TA, ZAC120TB, ZAC120TC, ZAC120TD, ZAC120TE, ZAC120TF, ZAC120TG, ZAC120TH, ZAC120TI, ZAC120TJ, ZAC120TK, ZAC120TL, ZAC120TM, ZAC120TN, ZAC120TO, ZAC120TP, ZAC120TQ, ZAC120TR, ZAC120TS, ZAC120TT, ZAC120TU, ZAC120TV, ZAC120TW, ZAC120TX, ZAC120TY, ZAC120TZ, ZAC120UA, ZAC120UB, ZAC120UC, ZAC120UD, ZAC120UE, ZAC120UF, ZAC120UG, ZAC120UH, ZAC120UI, ZAC120UJ, ZAC120UK, ZAC120UL, ZAC120UM, ZAC120UN, ZAC120UO, ZAC120UP, ZAC120UQ, ZAC120UR, ZAC120US, ZAC120UT, ZAC120UU, ZAC120UV, ZAC120UW, ZAC120UX, ZAC120UY, ZAC120UZ, ZAC120VA, ZAC120VB, ZAC120VC, ZAC120VD, ZAC120VE, ZAC120VF, ZAC120VG, ZAC120VH, ZAC120VI, ZAC120VJ, ZAC120VK, ZAC120VL, ZAC120VM, ZAC120VN, ZAC120VO, ZAC120VP, ZAC120VQ, ZAC120VR, ZAC120VS, ZAC120VT, ZAC120VU, ZAC120VV, ZAC120VW, ZAC120VX, ZAC120VY, ZAC120VZ, ZAC120WA, ZAC120WB, ZAC120WC, ZAC120WD, ZAC120WE, ZAC120WF, ZAC120WG, ZAC120WH, ZAC120WI, ZAC120WJ, ZAC120WK, ZAC120WL, ZAC120WM, ZAC120WN, ZAC120WO, ZAC120WP, ZAC120WQ, ZAC120WR, ZAC120WS, ZAC120WT, ZAC120WU, ZAC120WV, ZAC120WW, ZAC120WX, ZAC120WY, ZAC120WZ, ZAC120XA, ZAC120XB, ZAC120XC, ZAC120XD, ZAC120XE, ZAC120XF, ZAC120XG, ZAC120XH, ZAC120XI, ZAC120XJ, ZAC120XK, ZAC120XL, ZAC120XM, ZAC120XN, ZAC120XO, ZAC120XP, ZAC120XQ, ZAC120XR, ZAC120XS, ZAC120XT, ZAC120XU, ZAC120XV, ZAC120XW, ZAC120XX, ZAC120XY, ZAC120XZ, ZAC120YA, ZAC120YB, ZAC120YC, ZAC120YD, ZAC120YE, ZAC120YF, ZAC120YG, ZAC120YH, ZAC120YI, ZAC120YJ, ZAC120YK, ZAC120YL, ZAC120YM, ZAC120YN, ZAC120YO, ZAC120YP, ZAC120YQ, ZAC120YR, ZAC120YS, ZAC120YT, ZAC120YU, ZAC120YV, ZAC120YW, ZAC120YX, ZAC120YY, ZAC120YZ, ZAC120ZA, ZAC120ZB, ZAC120ZC, ZAC120ZD, ZAC120ZE, ZAC120ZF, ZAC120ZG, ZAC120ZH, ZAC120ZI, ZAC120ZJ, ZAC120ZK, ZAC120ZL, ZAC120ZM, ZAC120ZN, ZAC120ZO, ZAC120ZP, ZAC120ZQ, ZAC120ZR, ZAC120ZS, ZAC120ZT, ZAC120ZU, ZAC120ZV, ZAC120ZW, ZAC120ZX, ZAC120ZY, ZAC120ZZ

- Notes: 1. Not available with OUTRC option. 2. Not available with 18 option. 3. Not available with SEF when ordered in combination with E21. 4. Not available with NLTAR2 BES1, NLTAR2 BES2P, or NLTAR2 R10. 5. Not available with E21 when ordered with L24 with 5000LM or L36 with 7500LM. 6. When ordered with L24 only available with 1500LM or 2000LM in combination with CE210 driver. Not for use with THXLX, CLXANGRT, CLX reflectors or WGLCL accessories. Not available with RFL lens options. 7. Only available with general distribution. 8. Not available with CLX80 accessories. 9. Available - LED only. 10. Not available with CLX150, E10W/CP, or BGRID. 11. Not available with BGRID option. 12. Voltage selected will be 120V or 277V. Not available with L24 when ordered with N100. Not available with PS1050, E10W/CP, or BGRID option. 13. Requires SP1 option. 14. When continuous row mounting, fixtures must all have the same drive selection. 15. Not available with individual control, night view networking, night wireless networking, night wireless zone control options. 16. Most specify voltage. 17. Not available with L24 or L36. Not available with L48 in combination with N100. 18. Not available with L48 or L54 only. 20. Not available with PS1050 or E10W/CP options. Not available with 208 or 209V. Not available individual control, Night Wire, or Night Wireless options. 19. Not available with PS1050, E10W/CP, BGRID, XAD, or XAD2X. 21. Not available with P18 option. 22. Not available with individual control, Night Wire, or Night Wireless options. Refer to page 14 for more P18 details. 23. Sensor housing will be the same color as lens end caps. 24. Not available with L24 in combination with 5000LM. Not available with L48 in combination with 15000LM, and not available with L36 combination with 14000LM, 16000LM, or 20000LM. Not available with P18 combination with voltage dimming wires. 25. Not available with any other control options. Requires E21. 26. Requires N100 option. 27. Ships standard - white. 28. Not available with louvre, wireguards, wide reflectors. 29. More configurations on CLX Specifications sheet. 30. L24 reflector is 2.2x1.5, L48 reflector is 3.4x1.4, L48 reflector is 46.80", L54 reflector is 34.20", L48 reflector is 46.85", L54 reflector is 34.20". 31. For use with L168 fixtures only. L24 reflector is 22.75", L48 reflector is 14.20", L48 reflector is 46.85", L54 reflector is 34.20". 32. Not for use with CLX wide reflector accessories.

OPTIONS AND ACCESSORIES



INDUSTRIAL Page 3 of 14

LED wall luminaires - two-sided light output

Application: LED wall luminaires with directed narrow beam light distribution on two sides. Arranged individually or in groups, they are great design elements for a host of lighting applications. Materials: Luminaire housing and faceplates constructed of die-cast marine grade, copper free (≥ 0.3% copper content) A360.0 aluminum alloy. Clear safety glass. Reflector made of pure anodized aluminum. High temperature silicone gaskets. Mechanically captive stainless steel fasteners. NRTL listed to North American Standards, suitable for wet locations. Protection class IP 65. Weight: 6.6 lbs. Electrical: Operating voltage: 120-277V AC. Minimum start temperature: -30°C. LED module wattage: 36.2W. System wattage: 40.0W. Controllability: 0-10V dimmable. Color rendering index: Ra > 90. Luminaire lumens: 3,200 lumens (3000K). Lifetime at Ta = 15°C: 310,000 h (L70). Lifetime at Ta = 50°C: 145,000 h (L70). LED color temperature: 4000K - Product number + K4, 3500K - Product number + K35, 3000K - Product number + K3, 2700K - Product number + K27. BEGA can supply you with suitable LED replacement modules for up to 20 years after the purchase of LED luminaires - see website for details. Finish: All BEGA standard finishes are matte, textured polyester powder coat with minimum 3 mil thickness. Available colors: Black (BLK), White (WHT), RAL, Bronze (BRZ), Silver (SLV), CUS.

Type: BEGA Product: Project: Modified:

Available Accessories: 79547 Surface mounted wiring box. See individual accessory spec sheet for details.



Table with columns: LED, W, H, A, B, C, D, Required wiring size. Row 1: 24009, 36.2W, 15", 6, 21%, 7 1/4", 1 1/4", 19.53".

S15 BEGA

LED wall luminaires - directed light

Application: LED wall luminaires with directed light distribution designed for general illumination of pathways and building entrances from various mounting heights. Materials: Luminaire housing constructed of die-cast marine grade, copper free (≥ 0.3% copper content) A360.0 aluminum alloy. Clear safety glass. Reflector made of pure anodized aluminum. Silicone applied robotically to casting, plasma treated for increased adhesion. High temperature silicone gasket. Mechanically captive stainless steel fasteners. NRTL listed to North American Standards, suitable for wet locations. Protection class IP 64. Weight: 5.2 lbs. Electrical: Operating voltage: 120-277V AC. Minimum start temperature: -40°C. LED module wattage: 14.0W. System wattage: 17.0W. Controllability: 0-10V, TRAC, and ELV dimmable. Color rendering index: Ra > 90. Luminaire lumens: 1,216 lumens (3000K). Lifetime at Ta = 15°C: 320,000 h (L70). Lifetime at Ta = 40°C: 200,000 h (L70). LED color temperature: 4000K - Product number + K4, 3500K - Product number + K35, 3000K - Product number + K3, 2700K - Product number + K27, 2200K - Product number + K2. BEGA can supply you with suitable LED replacement modules for up to 20 years after the purchase of LED luminaires - see website for details. Finish: All BEGA standard finishes are matte, textured polyester powder coat with minimum 3 mil thickness. Available colors: Black (BLK), White (WHT), RAL, Bronze (BRZ), Silver (SLV), CUS.

Type: BEGA Product: Project: Modified:

Available Accessories: 79547 Surface mounted wiring box. See individual accessory spec sheet for details.

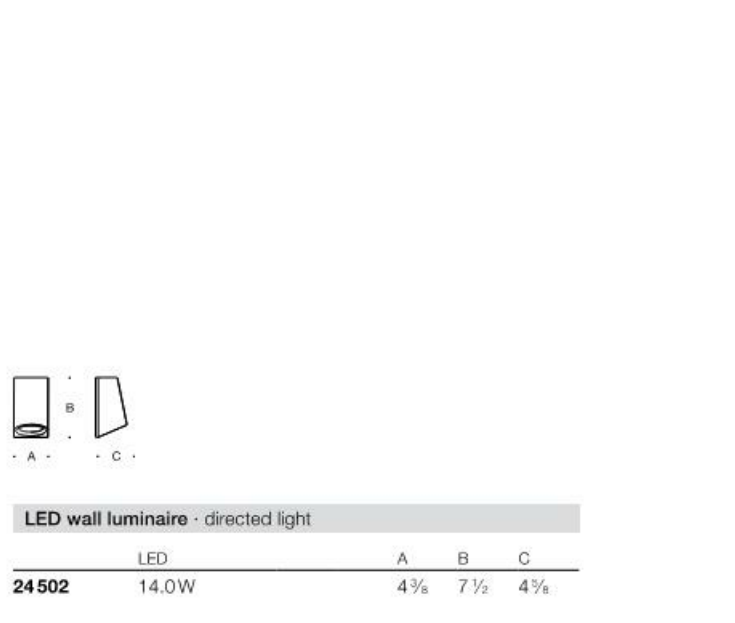


Table with columns: LED, W, H, A, B, C, D, Required wiring size. Row 1: 24502, 14.0W, 14", 4, 4%, 7 1/4", 1 1/4", 19.53".

S16 BEGA

LED ceiling mounted downlight - narrow beam

Application: This compact LED ceiling mounted downlight is designed for down lighting atriums, corridors, passages, and other interior and exterior locations featuring a symmetrical narrow beam light distribution. Materials: Luminaire housing constructed of die-cast marine grade, copper free (≥ 0.3% copper content) A360.0 aluminum alloy. Clear safety glass. Reflector made of pure anodized aluminum. High temperature silicone gasket. NRTL listed to North American Standards, suitable for wet locations. Protection class IP 65. Weight: 6.6 lbs. Electrical: Operating voltage: 120-277V AC. Minimum start temperature: -30°C. LED module wattage: 35.7W. System wattage: 39.0W. Controllability: 0-10V dimmable. Color rendering index: Luminaire lumens: 3499 lumens (3000K). LED service life (L70): 60,000 hours. LED color temperature: 4000K - Product number + K4 (EXPRESS), 3500K - Product number + K35, 3000K - Product number + K3 (EXPRESS), 2700K - Product number + K27. BEGA can supply you with suitable LED replacement modules for up to 20 years after the purchase of LED luminaires - see website for details. Finish: All BEGA standard finishes are matte, textured polyester powder coat with minimum 3 mil thickness. Available colors: Black (BLK), White (WHT), RAL, Bronze (BRZ), Silver (SLV), CUS.

Type: BEGA Product: Project: Modified:

Available Accessories: 79547 Surface mounted wiring box. See individual accessory spec sheet for details.

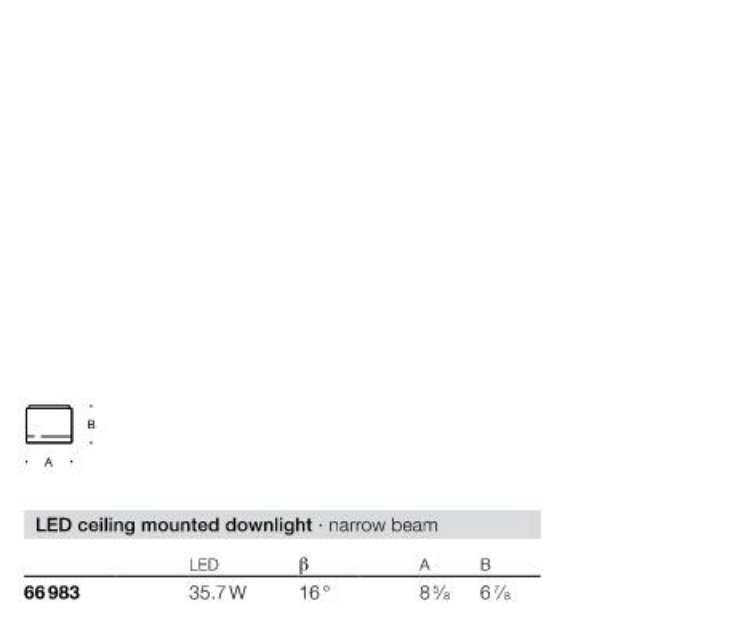


Table with columns: LED, W, H, A, B, C, D, Required wiring size. Row 1: 66983, 35.7W, 16", 8, 8%, 6 1/4", 19.53".

S17 BEGA

THE KIMSEY

7120 E INDIAN SCHOOL RD, SCOTTSDALE, AZ 85251

- CASE PRE-APP NUMBER - 63-PA-2020

Genster

2575 E Camelback Road Suite 175 Phoenix, AZ 85016 United States

SYDNOR

4806 N 78TH Place Scottsdale, AZ 85251 United States

Table with columns: Date, Description. Row 1: 01/06/22, Development Review Board

Seal / Signature

NOT FOR CONSTRUCTION

Project Name: 3RD AVENUE + INDIAN SCHOOL ROAD - SCOTTSDALE, AZ

Project Number: 057.6850.000

Description: LIGHTING CUT SHEETS

Scale

52.3