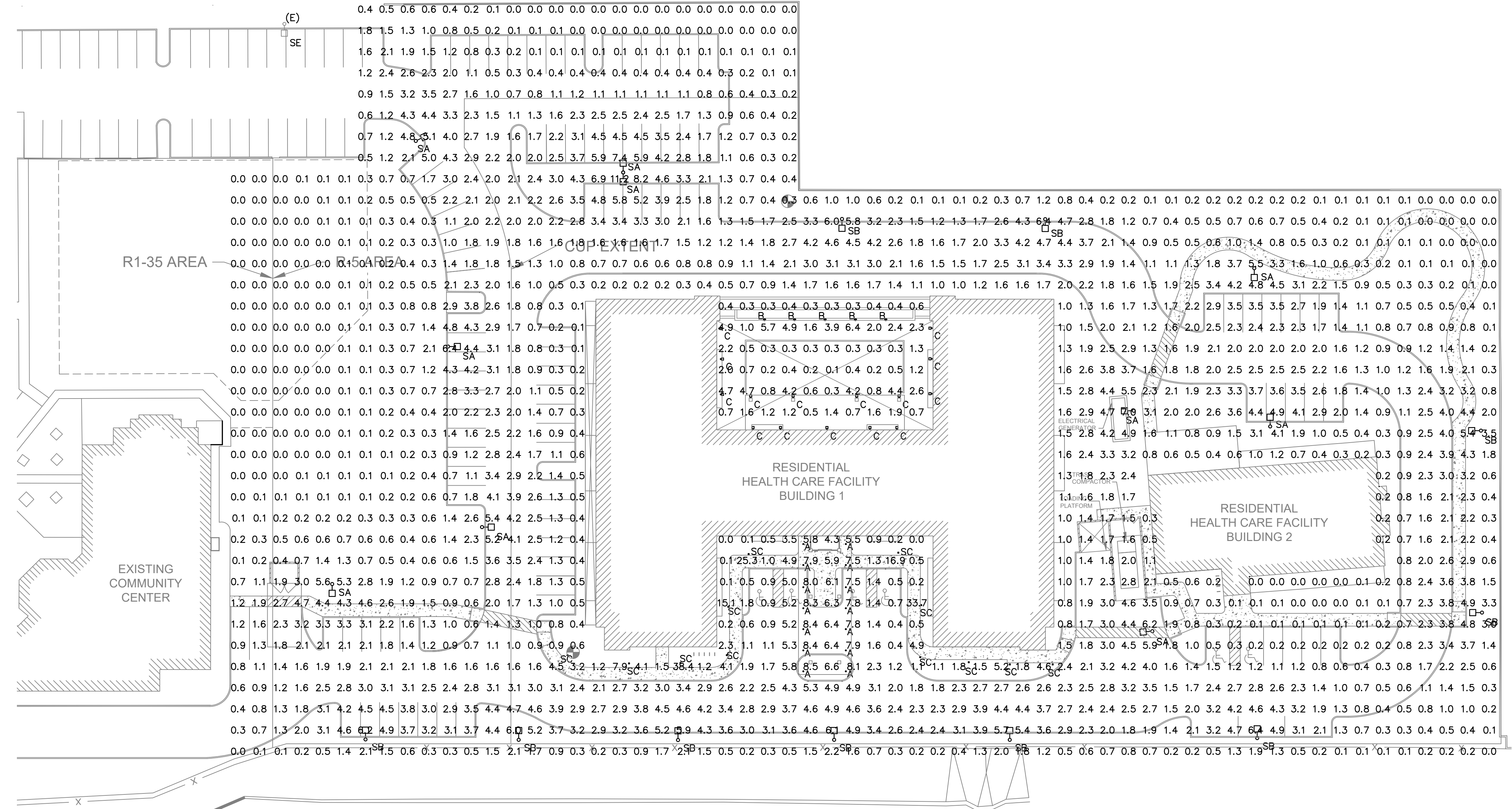


PLOT DATE: Wednesday, September 9, 2020 2:55:49 PM



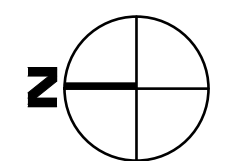
LUMINAIRE SCHEDULE

CALLOUT	SYMBOL	LAMP	DESCRIPTION	MOUNTING	MODEL	VOLTS	NOTE 1	QUANTITY	INPUT W
A	.	(1) LED	6" LED DOWN LIGHT	RECESSED	GOHAM EVO 35 15 6AR MWD LSS	120V 1P 2W		14	18.8
B	.	(1) LED (INCL)	LED STEP LIGHT	RECESSED@3'	Winona Lighting, STEP13 INT 12LONG L LST2A WHT30K MVOLT LBPS	120V 1P 2W	DARK SKIES	5	11
C	.	(1) 16W LED(INCL)	OUTDOOR WALL SCENCE	WALL@80" TO TOP	Urban Indoor/Outdoor LED Wall Scence BY MODERN FORMS, BRONZE, MEDIUM	120V 1P 2W	960 LUMEN, DARK SKIES	15	16
SA	□	(1) LED	LED POLE FIXTURE	POLE	Lithonia Lighting, KAD LED 60C 530 40K R3 MVOLT	120V 1P 2W	BRONZE, DARK SKY	10	103
SB	□	(1) LED	LED POLE FIXTURE	POLE	Lithonia Lighting, KAD LED 60C 530 40K R3 MVOLT	120V 1P 2W	BRONZE, HOUSE SIDE SHIELD, DARK SKY	10	103
SC	.	(1) LED	42" BOLLARD	POLE	RAB LIGHTING INC. BLED13N	120V 1P 2W	DARK SKY	12	15

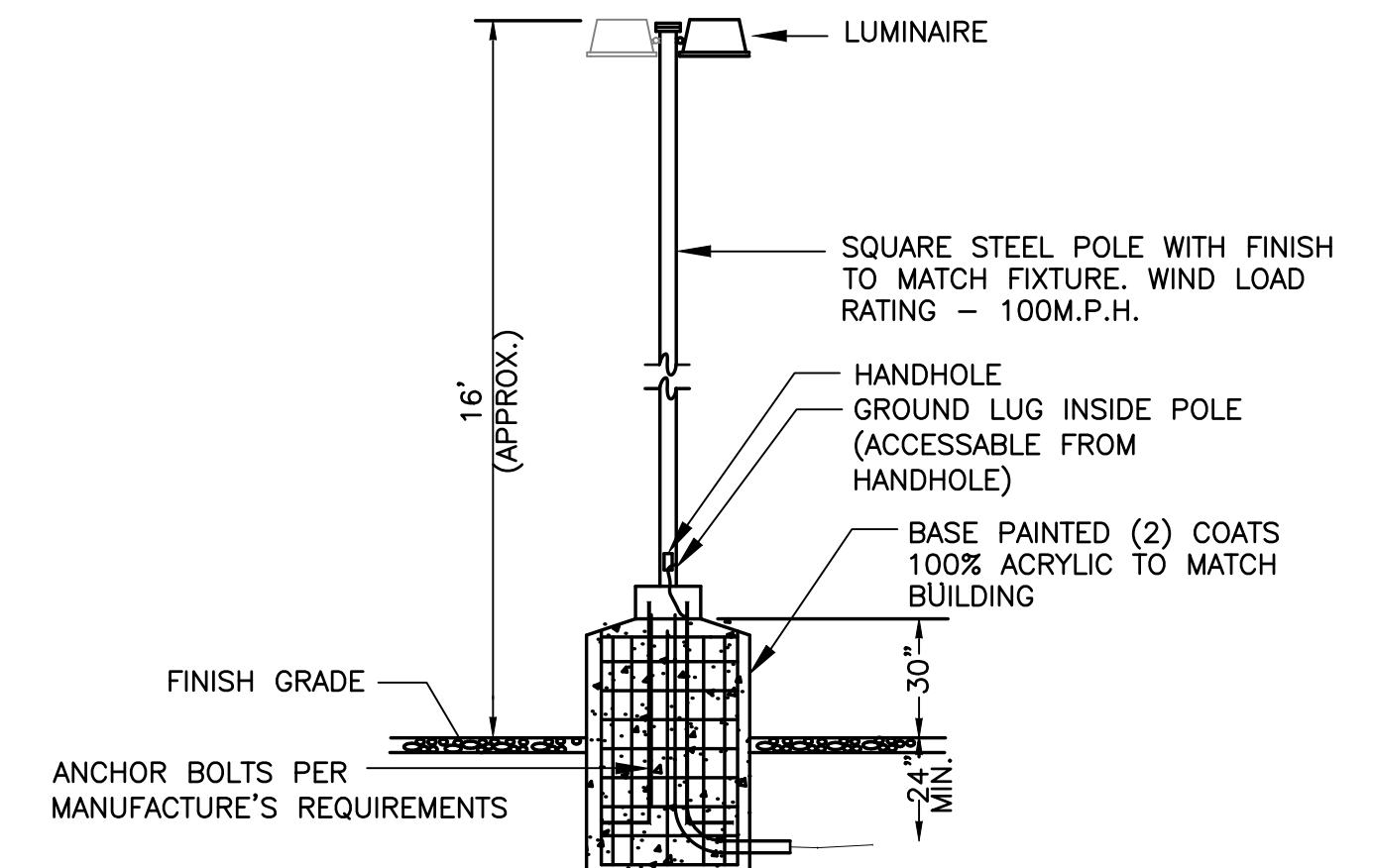
General Photometric Schedule

AVERAGE FOOT-CANDLES	1.75
MAXIMUM FOOT-CANDLES	38.4
MINIMUM FOOT-CANDLES	0.0
MINIMUM TO MAXIMUM FC RATIO	0.00
MAXIMUM TO MINIMUM FC RATIO	3582.98
AVERAGE TO MINIMUM FC RATIO	163.60

1 SITE PHOTOMETRIC PLAN
scale: 1"= 30'



DON WITT ENGINEERING ASSOCIATES
2323 E. MINTON MESA, AZ 85213
(480)656-0810
PROJECT# 6779 FAX: (480)656-0812



- NOTES:**
1. LIGHT POLE SHALL WITHSTAND 100MPH WIND FORCE WITH A 1.3 GUST FACTOR.
 2. THIS POLE BASE DETAIL IS FOR ELECTRICAL SYSTEMS ONLY. THE STRUCTURAL DESIGN SHALL BE PROVIDED BY A STRUCTURAL ENGINEER.

AAK architecture + interiors
480.656.6562
7888 N. RAYBURN RD. SUITE 1000 MESA, AZ 85209

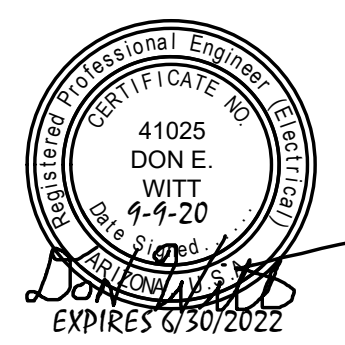
MEGERDICHIAN SENIOR CENTER
8849 E. CHOLLA ST.
SCOTTSDALE, AZ 85260

PRE-CONSTRUCTION PHASE

NO.	ISSUED FOR:	DATE
1	REZONING & C.U.P.	12-13-2018
2	REZONING & C.U.P. 2nd Review	08-03-2020

CONSTRUCTION PHASE

REV.	BULLETIN #	DATE



SHEET TITLE
SCALE: DATE: 08/03/2020 JOB NUMBER: 1727-00
PH1.0