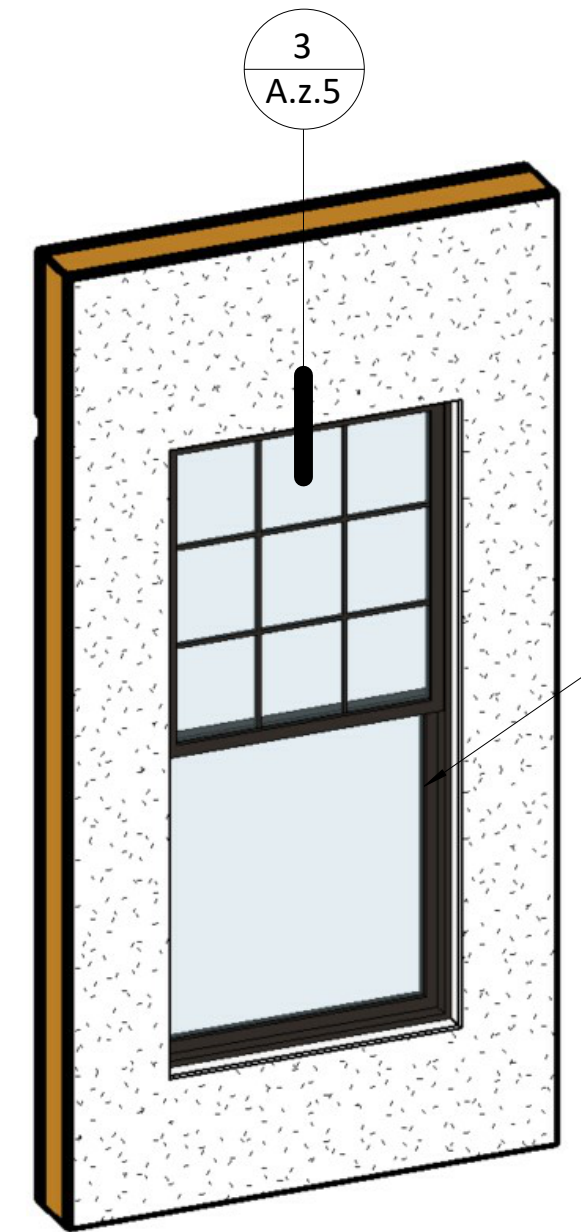
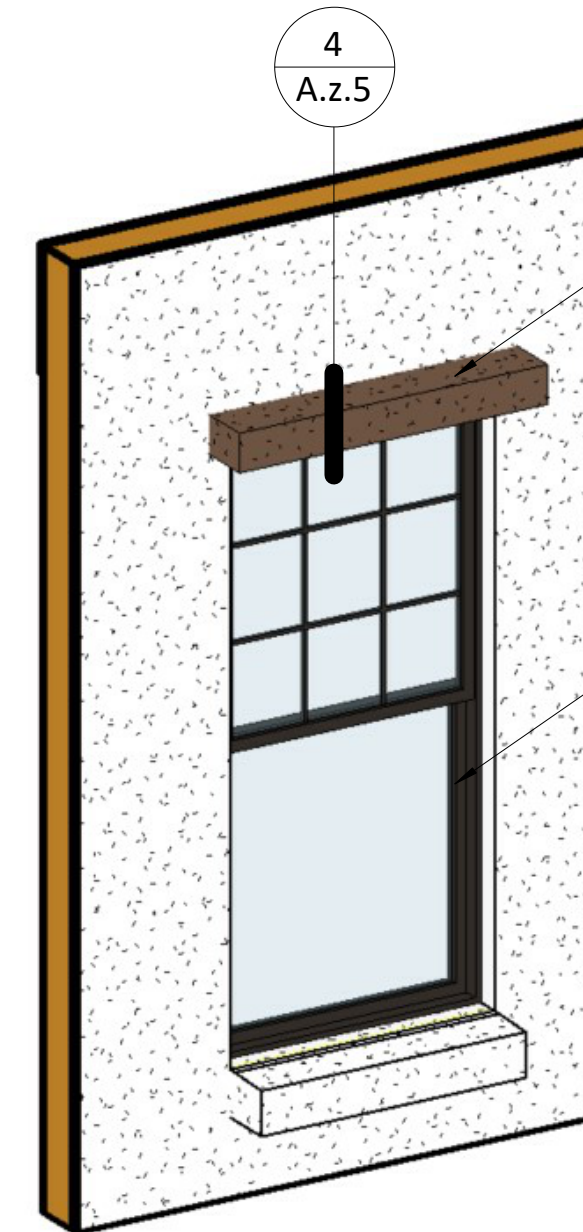


I hereby certify that this plan, specification, or report was prepared by me or under my direct supervision and that I am a duly licensed architect under the laws of the State of Arizona

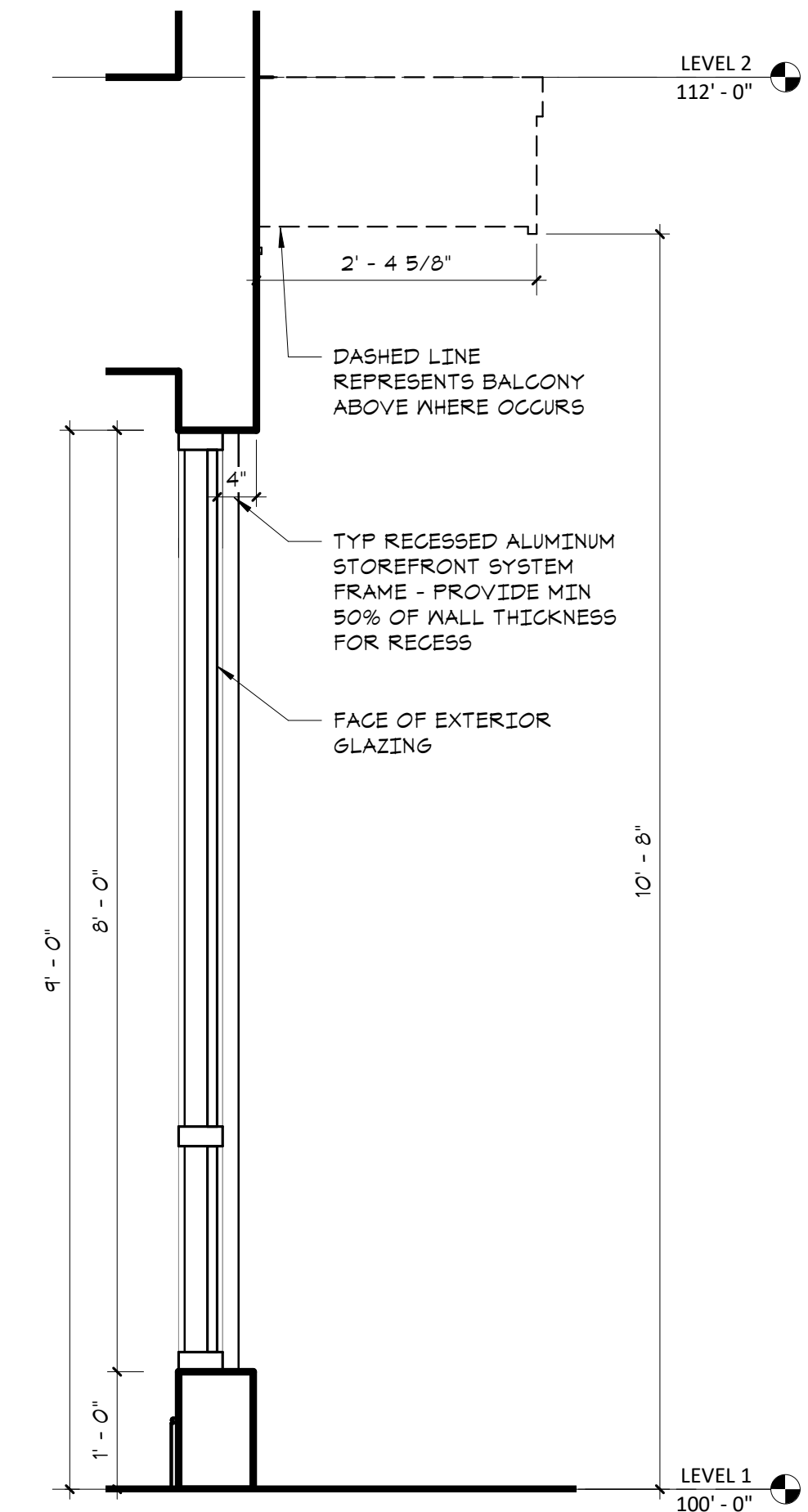
Signature \_\_\_\_\_  
Typed or Printed Name \_\_\_\_\_  
License # Date \_\_\_\_\_



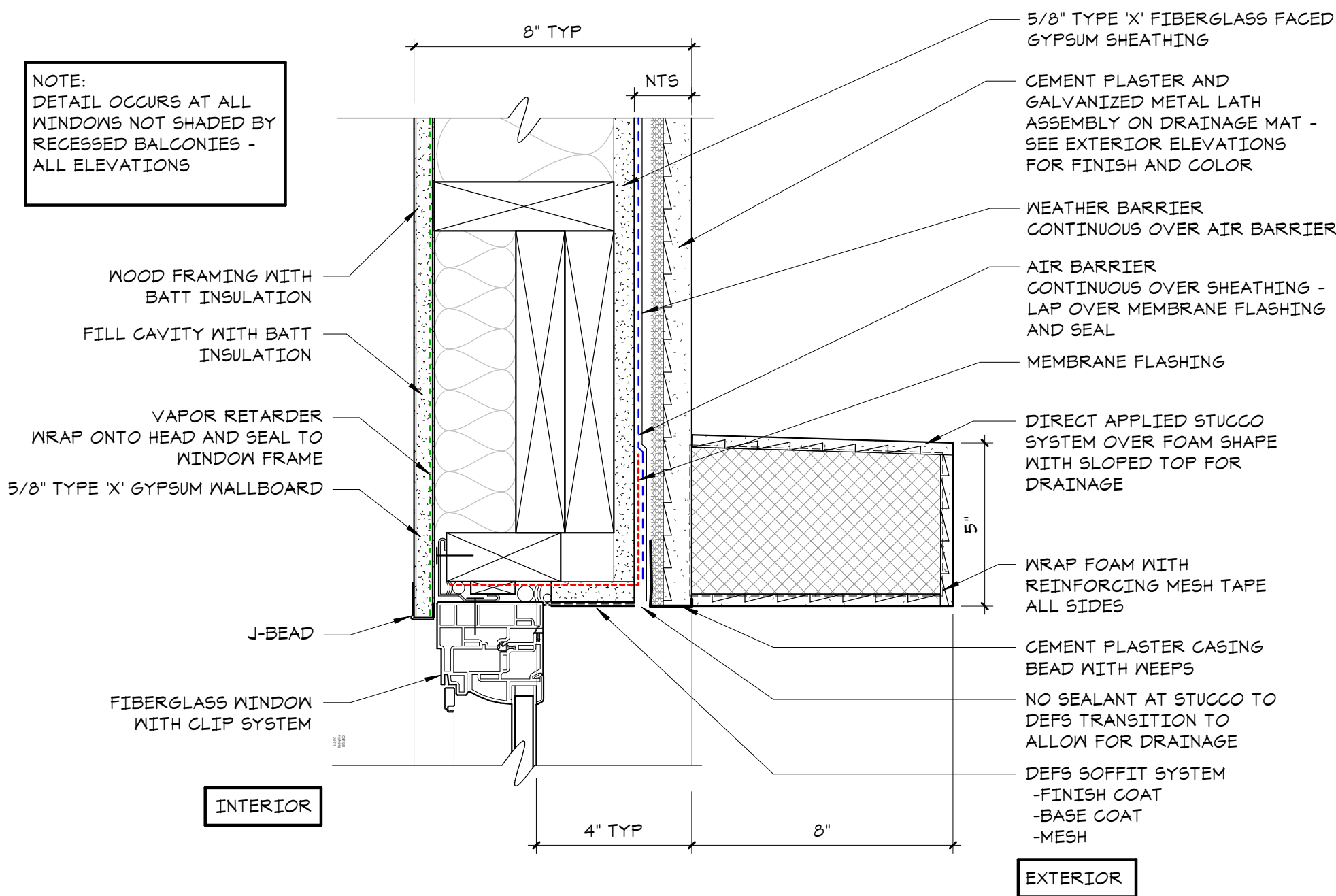
7 3D TYPICAL FIBERGLASS WINDOW  
A.z.5 1 1/2" = 1'-0"



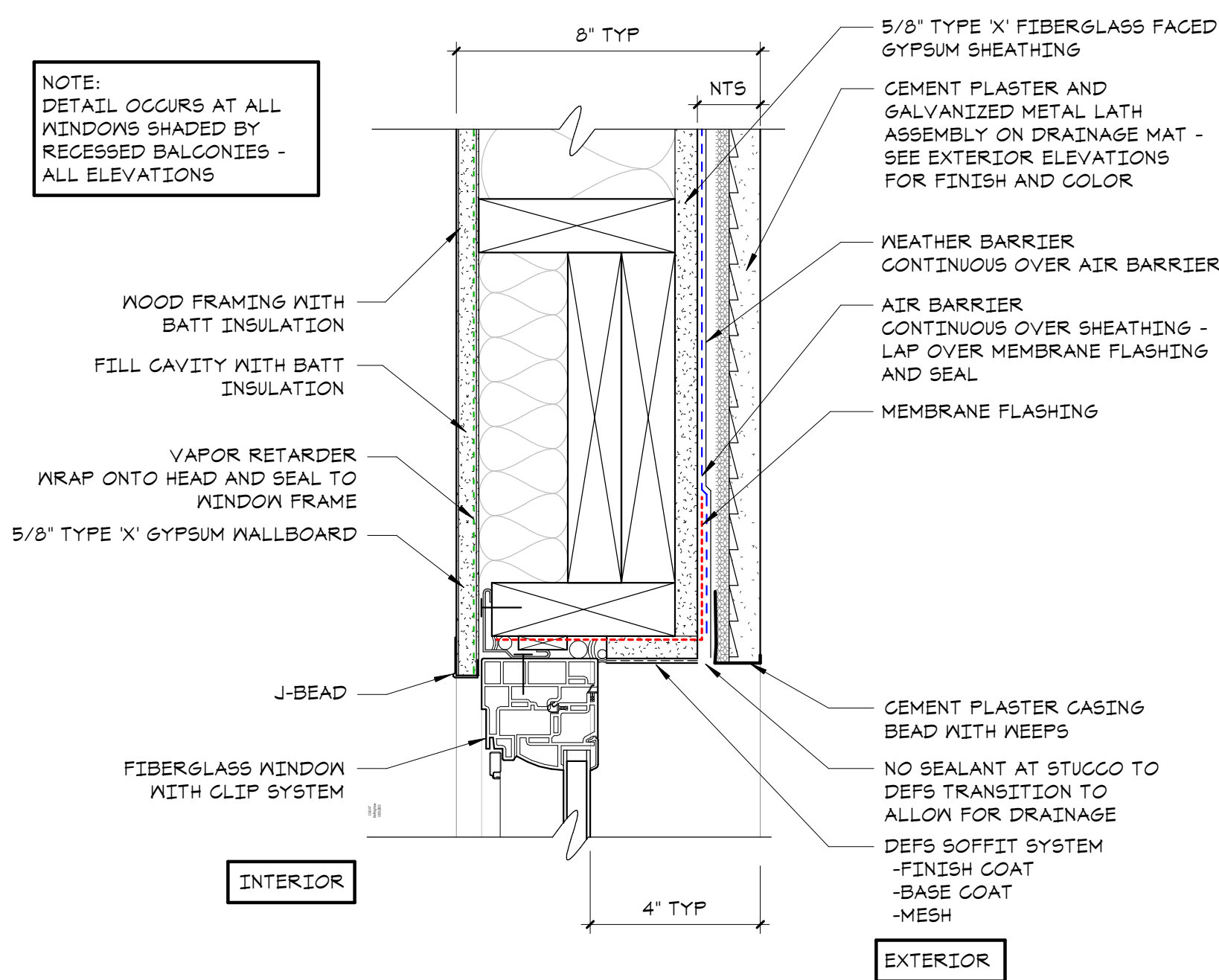
6 3D TYPICAL FIBERGLASS WINDOW WITH SOLAR SHADE  
A.z.5 1 1/2" = 1'-0"



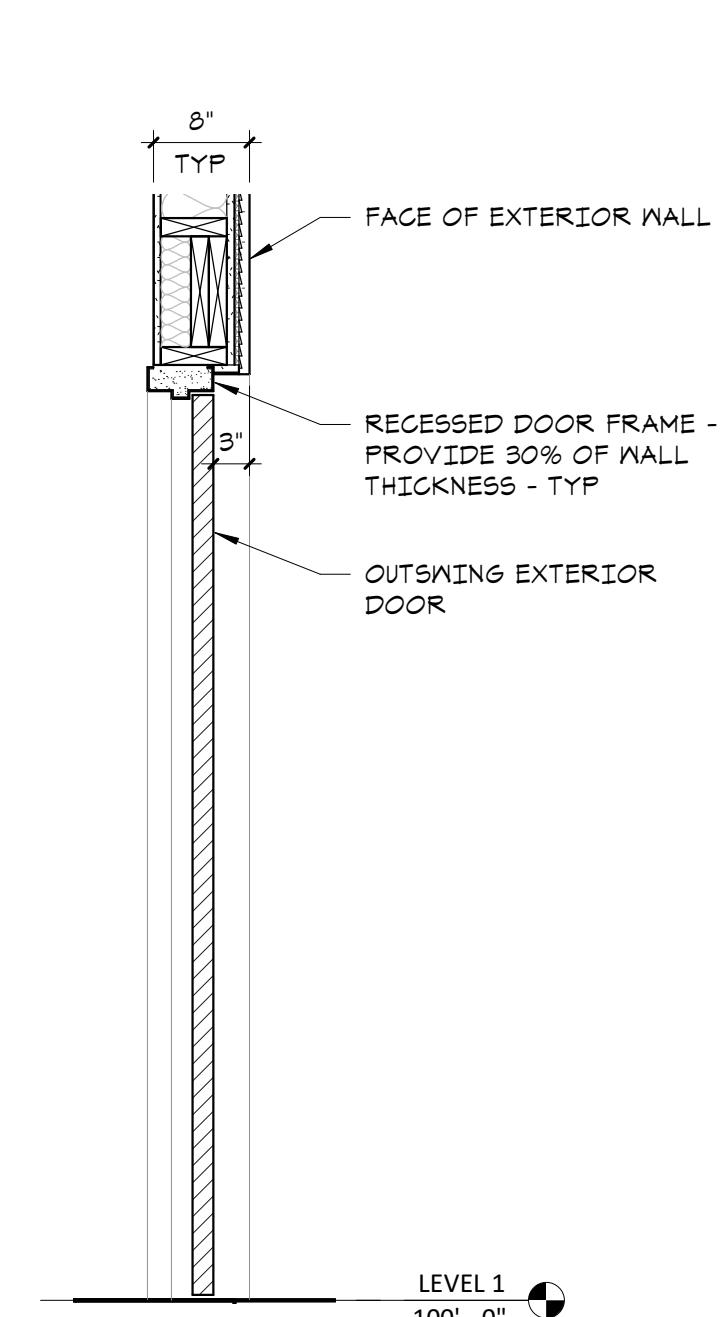
5 WALL SECTION AT STOREFRONT RECESS  
A.z.5 3/4" = 1'-0"



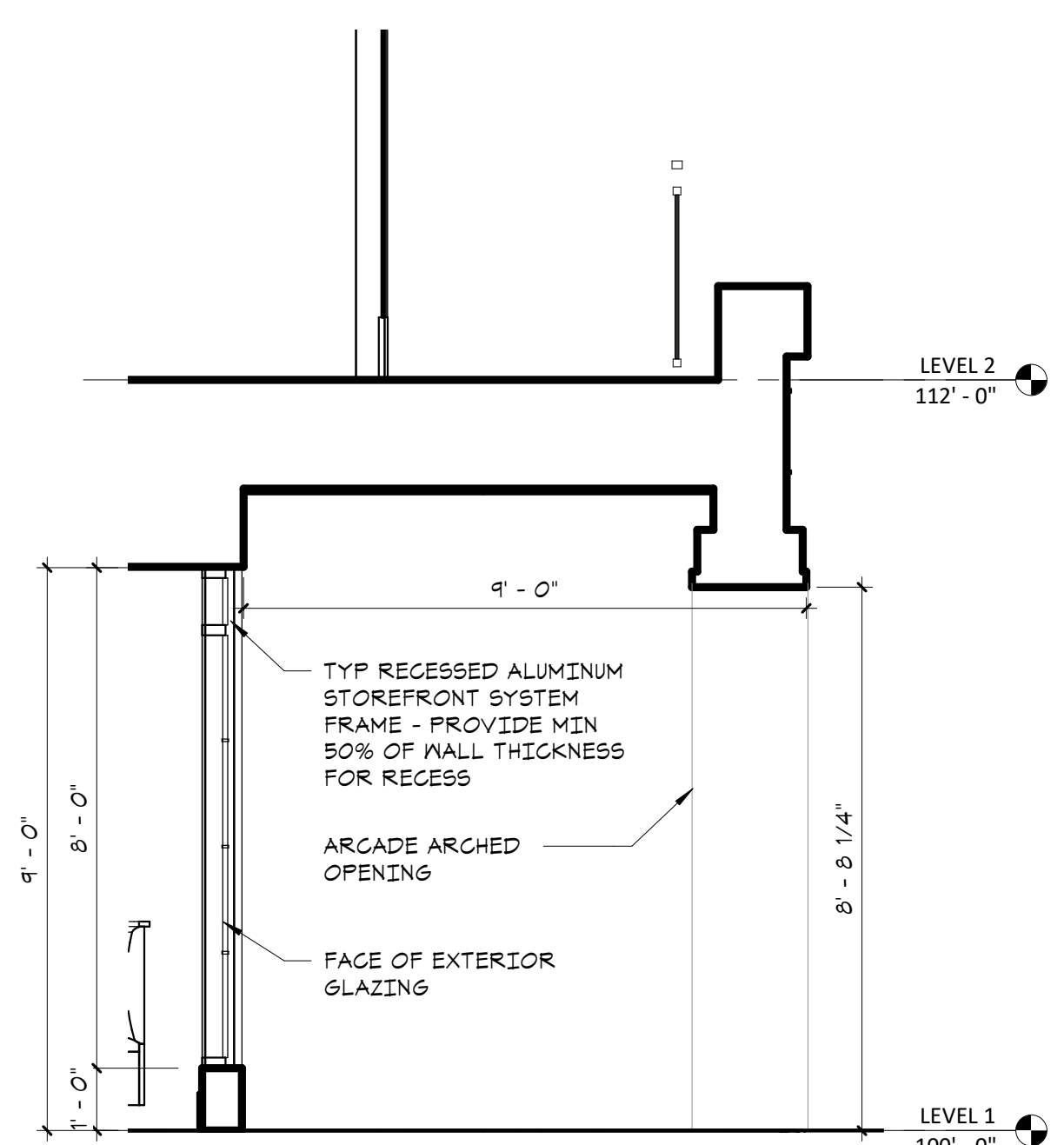
4 TYPICAL FIBERGLASS WINDOW HEAD WITH INTEGRATED SOLAR SHADE  
A.z.5 3" = 1'-0"



3 TYPICAL FIBERGLASS WINDOW HEAD  
A.z.5 3" = 1'-0"



2 WALL SECTION AT TYP DOOR RECESS  
A.z.5 3/4" = 1'-0"



1 WALL SECTION AT TYP STOREFRONT RECESS  
A.z.5 3/8" = 1'-0"

DRB  
RE-SUBMITTAL  
04/17/23

REVISIONS No.	Description	Date

221564  
PROJECT NUMBER  
Author \_\_\_\_\_  
DRAWN BY \_\_\_\_\_  
Checker \_\_\_\_\_  
CHECKED BY \_\_\_\_\_

KEY PLAN

Gold Dust Ave &  
Scottsdale Rd

DETAILS

A.z.5