

Fairmont Scottsdale
Princess Parking Garage
Scottsdale, AZ

LIGHTING FIXTURE SCHEDULE

THE LIGHTING DESIGN
ALLIANCE, INC.

LOS ANGELES
2830 TEMPLE AVENUE
LONG BEACH, CA 90806-2213

T: 562.989.3843
F: 562.989.3847

www.LightingDesignAlliance.com

ORIGINAL ISSUE:
2 June 2023

REVISIONS:
1.

FIXTURE NOTES:

1. Fixtures shall include all accessories for installation as required by national or local electrical codes.
2. Electrical Engineer to determine all fixture voltages.
3. Electrical Engineer shall be responsible for emergency lighting, calculations and circuiting to meet code conformance as required by law.
4. Prior to the release of the lighting fixture order, the party responsible for fixture procurement (typically the Contractor) shall:
 - Verify all fixtures shall have appropriate UL, ETL or other recognized and accepted testing agency for dry, damp, or wet location installation as required by national or local electrical codes
 - Verify all integral or remote ballasts or drivers are recognized by UL, ETL or other recognized testing agency. Remote ballasts or drivers shall be listed as an "assembly" to operate with the luminaire
 - Verify fixture and ballast configuration conform with Title 24 or other local energy codes (e.g. tandem wiring, ballast factor, etc)
 - Work with the Contractor to verify items outlined in section 5 below.
5. Prior to the release of the lighting fixture order, contractor shall work with the lighting procurement agent to:
 - Verify fixture location and above-ceiling clearances for recessed fixtures. Contractor shall notify the Lighting Designer of any conflicts.
 - Verify final fixture voltages
 - Verify housing and trim compatibility with ceiling type (e.g. gyp. or suspended ceiling) and ceiling thickness
 - Verify field lengths of cove or perimeter lighting. These fixtures must not be dimensioned from lighting plans
 - Identify fire rated ceiling or floor assemblies and provide fire rated enclosures for fixtures to be installed in these conditions
 - Identify insulated ceiling areas and provide IC rated housing options for fixtures to be installed in these conditions. Contractor shall notify the Lighting Designer if an IC option is not available for the specified fixture(s).
6. Lamps or LED light engines shall be installed as outlined in the fixture schedule below.
7. Ceiling thicknesses in excess of 3/4" shall be identified in writing by the Architect or Contractor.
8. Walls directly illuminated (e.g. "wall grazing" or perimeter lighting systems) shall be a Level 5 finish, as defined in Gy peum Association GA 216-96.
9. The Architect and Lighting Designer shall approve fixture substitutions prior to bid, in accordance with section 26 00 00 specifications. If non-specified or non-approved alternates are installed, they shall be replaced at the Contractors sole expense (including backcharges by other trades such as drywall, painting, etc.), with no additional cost to the owner.
10. Contractor or Purchaser to supply all necessary parts, pieces and mounting brackets as necessary for a fully functioning and properly installed fixture. Refer to detail drawings for additional comments.
11. All remote power supplies:
 - To be mounted in an accessible, concealed, dry, well ventilated location, within manufacturer recommendations and distance
 - All fixtures on a control zone to have equal length wire to the power supply.
 - Contractor to provide fully code compliant LED system, Contractor to coordinate any necessary additional parts or enclosures (such as NEMA rated enclosures) for the power supply and fixtures to be code compliant.
12. Dimming types:
 - a. NON - Standard dimmer module configured to function as Non-Dim.
 - b. TRIAC - Forward phase dimming module, traditionally used for Incandescent, Halogen, or Mark 10 Fluorescent, 2-wire.
 - c. MLV - Forward phase dimming module for magnetic low voltage, 2-wire.
 - d. ELV - Reverse Phase dimming module, for electronic low voltage, 2-wire.
 - e. 0-10V - 0-10V dimming module with switched mains power (class 1) and low voltage intensity control (class 2), 4-wire.
 - f. HI-LUME - Specialized dimming module for use with Lutron Hi-Lume dimming drivers, 3-wire, all class 1.
 - g. ECO - Specialized dimming module for Lutron Ecosystem dimming drivers with switched mains power (class 1) and proprietary digital control cables (class 2), 4-wire.
 - h. DALI - Digital dimming module with switched mains power (class 1) and digital control cables (class 2), 4-wire.

i. NON+DMX - Fixture requires normal non-dim switched mains power IN ADDITION TO serial data DMX signal from lighting control system. DMX interface will require additional control hardware and configuration. The services of a qualified lighting Systems Integrator is highly recommended.

j. DIM - Dimming requirements are not known; dimmer type TBD by lamp and / or driver/power supply selection.

Latest revisions HIGHLIGHTED

TYPE	DESCRIPTION	SHORT DESCRIPTION	MANUFACTURER & CATALOG #	LIGHT SOURCE	WATTS	VOLTS	LOAD TYPE	DIM TYPE	REMARKS
AL1	Stake-mounted landscape uplight with glare shield and: • Optics: 35° • Dimensions: 2.45"Ø x 8.65"L	Landscape Uplights	Aspen LED • Luminaire: ASPEN-A-P2-90-27K-120-35-WSL-KM-C3-DDB • Mount: PM60C	Integral LED • CCT: 2700K • CRI: 90 • Lumens: 935	12 max.	120	LED	MLV	• Conceal remote transformer in accessible, ventilated location. • Uplights may be subject to curfew dimming controls - circuit accordingly. • Contractor may specify alternative mounting accessories. • Contractor to provide a remote transformer. • Confirm finish selection. To be matte black or dark bronze. • No color filter.
AS1	Stake-mounted linear landscape uplight with: • Optics: Asymmetric Wall Wash • Dimensions: 4" x 4"L • Accessories: 12" Steel Mounting Spike, Full Visor	Landscape Signage Uplights	Hydrel 4750L Static White 4750L-4FT-500LMF-27K-MVOLT-WWD-KM-MS12-HVSR-INJB-ZT-CR-BZ Junction Box JB4750L-[Conduit Entry]-[Fixture Mounting]-12CS-[Finish]	Integral LED • CCT: 2700K • CRI: 80 • Lumens: 1648	21	120/277	LED	0-10V	• Conceal remote transformer in accessible, ventilated location. • Uplights may be subject to curfew dimming controls - circuit accordingly. • Contractor may specify alternative mounting accessories. • Contractor to provide a remote transformer. • Confirm finish selection. To be matte black or dark bronze.
DW1	Decorative wall sconce, suitable for exterior, with: • Dimensions: 28.5"H x 4.75"W x 4" Proj. • Rating: wet, darksky	Exterior Decorative Sconce	Hinkley Lighting Mist 1225BZ	(1) Green Creative 6GU10DIM/827 FL40 • CCT: 2700K • CRI: 82 • Lumens: 550 • Watts: 6 • Base: GU10 • Beam: 40°	6.5	120	LED	ELV	• Confirm selection and mounting height with Architect. • Confirm finish selection. To be matte black or dark bronze.
DW2	Downlight wall sconce, suitable for exterior, with: • Dimensions: 4.5"H x 4.5"W x 6.7" Proj. • Rating: wet, darksky	Exterior Decorative Sconce	Tech Lighting Bowman 4 700WSBOW 4 Z LED827	Integral LED • CCT: 2700K • CRI: 90+ • Lumens: 696	17.8	120/277	LED	ELV	• Confirm selection and mounting height with Architect. • Confirm finish selection. To be matte black or dark bronze.
DW3	Decorative wall sconce, suitable for exterior, with: • Dimensions: 15.5"H x 4.75"W x 4" Proj. • Rating: wet, darksky	Exterior Decorative Sconce	Hinkley Lighting Mist 1220BZ	(1) Green Creative 6GU10DIM/827 FL40 • CCT: 2700K • CRI: 82 • Lumens: 550 • Watts: 6 • Base: GU10 • Beam: 40°	6.5	120	LED	ELV	• Confirm selection and mounting height with Architect. • Confirm finish selection. To be matte black or dark bronze.
FS1	Flush mounted downlight pendant, suitable for exterior, with: • Dimensions: 2.5"H x 15"Ø • Rating:	Flush Mount Pendant	Modern Forms Pi FM-W44815-2700K-BK	Integral LED • CCT: 2700K • CRI: 90+ • Lumens: 1838	31.3	120/277	LED	ELV	• Confirm selection and finish with Architect. • Confirm finish selection. To be matte black or dark bronze.
LS1	Suspended mount linear, asymmetric distribution, with: • Dimensions: • Rating:	Suspended Linear	A-Light ALD8ST-[Length]-LH-27-CRI-U-H-S-B-D-[Emergency]-[Options]	Integral LED • CCT: 2700K • CRI: 90+ • Lumens:	10/ft	120-277	LED	0-10V	• Confirm selection and finish with Architect. • Confirm finish selection. To be matte black or dark bronze. • Provide all necessary mounting and connecting hardware for a complete installation. • Do not dimension lengths from lighting documents.

TYPE	DESCRIPTION	SHORT DESCRIPTION	MANUFACTURER & CATALOG #	LIGHT SOURCE	WATTS	VOLTS	LOAD TYPE	DIM TYPE	REMARKS
PH1	12' exterior pole-mounted downlight cylinder, with: <ul style="list-style-type: none"> • Optics: type IV downlight • Dimensions: 10.7"H x 7.3"Ø • Rating: IP65, IK08, B1-U0-G1 • Driver: integral, dimming 	Pedestrian Pole Light	Ligman USA Tango 36 Single Head Post Top • Luminaire: UTA-20011 38w T4 W30 06 120/277V DIM • Pole: SC76 06	Integral LED <ul style="list-style-type: none"> • CCT: 3000K • CRI: 80+ • Lumens: 2777 	38	120-277	LED	0-10V	<ul style="list-style-type: none"> • Confirm selection with Architect. • Provide concrete base as needed. • Confirm finish selection. To be matte black or dark bronze.
WS1	Wall mounted signage light, with: <ul style="list-style-type: none"> • Optics: 30 degree • Dimensions: TBD • Rating: • Driver: Wet Location 	Sign Light	Spectrum Lighting Light SL0306LEDXT-10L-27K-MD-DS10-[Voltage]-WL-BZ Mounting Arm PA23	Integral LED <ul style="list-style-type: none"> • CCT: 3000K • CRI: 82 • Lumens: 1000 	11.1	120/277	LED	0-10V	<ul style="list-style-type: none"> • EE to select voltage option. • Confirm selection and finish with Architect. • Confirm finish selection. To be matte black or dark bronze.
WR1	Recessed steplight, with: <ul style="list-style-type: none"> • Optics: 30 degree • Dimensions: TBD • Rating: • Driver: Wet Location 	Pathway Steplight	Ligman Rado 2 Recessed URA-40541-17W-W27-06-120/277v	Integral LED <ul style="list-style-type: none"> • CCT: 2700K • CRI: 80+ • Lumens: 620 	17	120/277	LED	0-10V	<ul style="list-style-type: none"> • Confirm finish selection. To be matte black or dark bronze.

End of Fixture Schedule



CATALOG NUMBER _____
 NOTES _____
 TYPE _____



ASPEN LED 12V/120V LED

Specifications	
Weight:	1.6 lbs.
H:	5.85" (149mm) w/C1
	6.79" (172mm) w/C2
	8.65" (220mm) w/C3

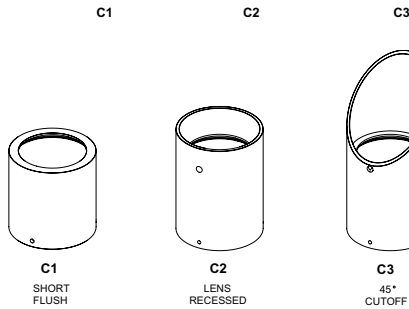
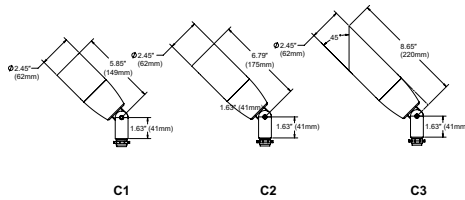
HIGHLIGHTS

- Accent lights are suitable for a variety of mounting applications including ground, wall, tree, sign and architectural accents
- Suitable for wet locations
- Integral driver for 120V
- Dimmable using standard Triac dimmer for 120V and dimmable using standard MLV dimmer and magnetic transformer for 12V
- Tapered-sure lock
- Available in 80CRI and 90CRI
- 1,100lm



Buy American

DIMENSIONS

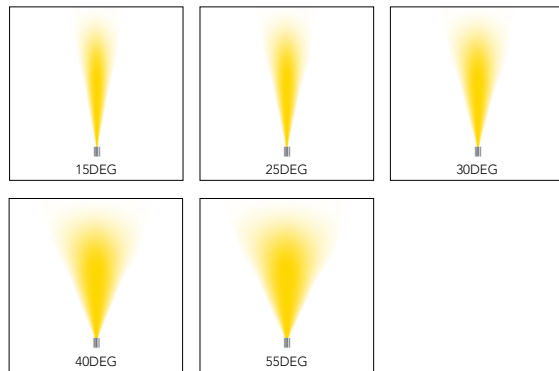


LUMEN PACKAGES

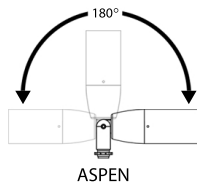
	15DEG	20DEG	25DEG	30DEG	35DEG	40DEG	45DEG	50DEG	55DEG
Delivered Lumens	685	623	659	642	674	656	634	639	641
Watts	11	11	11	11	11	11	11	11	11
LPW	62	57	60	58	61	60	58	58	58
Peak Candela	5,056	2,725	2,827	1830	1569	1212	982	742	664

Note: Information based on 4000K @ P1, 80CRI, 120 Volt with C1 cap and FLC lens

STANDARD DISTRIBUTION



AIMING DETAILS





ORDERING INFORMATION

EXAMPLE: ASPEN SS P1 80CRI 30K 12 20DEG WSL KM C1 BL

ASPEN															
Series*	Material*	Performance Packages*	CRI*	Color Temperature*	Voltage*	Distribution*	Lens*	Mounting*							
ASPEN	A	Aluminum	P1	80CRI	27K	12 ¹ 12Vac	15DEG 15°	40DEG 40°	FLC	Flat Clear	KM	Knuckle			
	BR	Brass	P2	90CRI	30K	120 ² 120Vac	20DEG 20°	45DEG 45°	WSL	Watershed	35OR	350° rotational knuckle			
	SS	Stainless Steel	Note: P2 only available with 12volt		35K	Note: 120V only available with P1	25DEG 25°	50DEG 50°							
					40K		30DEG 30°	55DEG 55°							
					50K	Note: 35k and 50K only available with 80CRI	35DEG 35°								
Mounting Accessories <i>Optional</i>			Options <i>Optional</i>			External Caps*		Finish*							
Independent Mounting			Stems			Internal Louver		C1 Short Flush		All Material		Brass Only			
JBA	Aluminum J-Box		S3 ³	3" Stem		IHL	Honeycomb Louver		C2	Recessed Lens		BL	Black Textured	BRZ	Satin Bronze w/ Satin Clear
JBB	Bronze J-Box Architectural		S6 ³	6" Stem		Internal Accessory		C3	45° Angle Cut		BRS	Bronze Smooth	NAT	Natural Brass w/ Satin Clear	
ARJB	J-Box, Aluminum		S_3	12" - 24" stems, available in 6" increments		L1	Prismatic Lens				BRT	Bronze Textured	POL	Polished Brass w/ Gloss Clear	
CN4	4" rectangular canopy		S3BR ⁴	3" Stem Brass		L2	Linear Spread Lens				DBL	Black Smooth	Stainless Only		
CN4BR	4" rectangular canopy, brass		S6BR ⁴	6" Stem Brass		L3	Softening Lens				DDB	Designer Bronze	BRSS	Brushed Stainless Steel	
CN5	5" round canopy		S_BR ⁴	12" - 24" stems, available in 6" increments		Internal Filters				DNA	Natural Aluminum	NSS	Natural Stainless Steel		
CN5BR	5" round canopy, brass					FA	Amber				NBS ⁷	Natural Bronze Smooth	PSS	Polished Stainless Steel	
CN5SS	5" round canopy, stainless					FG	Green				STG	Steel Gray	Note: RALTBDD for pricing only, replace with applicable RAL call out when ready to order. See the RALBROCHURE for available options. It is recommended that Hydrel products only use textured paint.		
WMC	Wall Mount Cover		Extended Arms⁵			FGD	Green Dichroic				VET	Verde Textured			
WMSA	Wall Mount with Splice Access		EA_	12", 24" or 36"		FLB	Light Blue				WH	White Textured			
STK ⁶	Mounting Stake		EA45_	45", 12", 24" or 36"		FM	Mercury Vapor				WHS	White Smooth			
TRA ⁸	Tree Mounted J-Box, Aluminum		EA90_	90" - 12", 24" or 36"		FMB	Medium Blue				CF	Custom Finish			
TRB ⁸	Tree Mounted J-Box, Bronze					FMBD	Medium Blue Dichroic				RALTBDD	Ral Paint Finishes			
_TRAS ⁸	Tree Mounted J-Box with Aluminum mounting strap, available with 1-4 JBoxes per strap					FR	Red				_Z ⁹	Zinc Undercoat (i.e. BLZ)			
_TRBS ⁸	Tree Mounted J-Box with Bronze mounting strap, available with 1-4 JBoxes per strap					FRD	Red Dichroic								
PM60A ⁸	Adjustable Post Mount														
PMBR60A ⁸	Adjustable Post Mount - Bronze														
PM60C	Post Mount with Conduit														
PMBR60C	Post Mount with Conduit - Bronze														
PM60D ⁸	Post Mount with Open Bottom														
PMBR60D ⁸	Post Mount with Open Bottom - Bronze														

*Required Fields

Notes:

- 1 Remote transformer required. Options for [remote transformers](#).
- 2 Integral Driver.
- 3 Aluminum stems only compatible with PM60A, PM60C and PM60D.
- 4 Brass stems only compatible with PMBR60A, PMBR60C and PMBR60D.
- 5 Extended arms compatible with WMC and WMSA.
- 6 Up to 2 options can be specified.
- 7 NBS paint uses specialty pigments to give a natural appearance that may vary by fixture.
- 8 Only available with 12 volt.
- 9 Zinc undercoat for harsh environments



PERFORMANCE DATA

LUMEN OUTPUT

Lumen values are from photometric tests performed in accordance with IESNA LM-79-08. Data is considered to be representative of the configurations shown, within the tolerances allowed by Lighting Facts. Actual performance may differ as a result of end-user environment and application. Contact factory for performance data on any configurations not shown here.

Performance Package	System Watts	Distribution Type	Field Angle		Beam Angle		27K (2700K, 80CRI)			30K (3000K, 80CRI)			35K (3500K, 80CRI)			40K (4000K, 80CRI)			50K (5000K, 80CRI)		
			°H	°V	°H	°V	Max CD	Lumens	LPW	Max CD	Lumens	LPW	Max CD	Lumens	LPW	Max CD	Lumens	LPW	Max CD	Lumens	LPW
P1 12 Volt	8	15DEG	33	33	19	19	5,180	702	88	5,374	728	91	5,471	741	93	5,665	768	96	5,858	794	99
		20DEG	45	45	22	22	2,792	639	80	2,897	663	83	2,949	675	84	3,053	699	87	3,158	722	90
		25DEG	44	44	24	24	2,897	675	84	3,005	700	88	3,060	713	89	3,168	738	92	3,276	764	96
		30DEG	56	56	30	30	1,875	658	82	1,945	682	85	1,980	694	87	2,050	719	90	2,120	744	93
		35DEG	57	56	37	36	1,608	691	86	1,668	717	90	1,698	729	91	1,758	755	94	1,818	781	98
		40DEG	65	64	41	40	1,242	672	84	1,288	697	87	1,311	710	89	1,358	735	92	1,404	760	95
		45DEG	74	73	45	44	1,006	650	81	1,044	674	84	1,063	686	86	1,100	711	89	1,138	735	92
		50DEG	86	85	53	51	760	654	82	788	679	85	802	691	86	831	716	90	859	740	93
		55DEG	93	93	56	54	681	657	82	706	682	85	719	694	87	744	719	90	770	743	93
		P2 12 Volt	12	15DEG	33	33	19	19	7,012	950	79	7,274	986	82	7,405	1,003	84	7,667	1,039	87	7,930
20DEG	45			45	22	22	3,780	865	72	3,921	897	75	3,992	913	76	4,133	945	79	4,274	978	82
25DEG	44			44	24	24	3,921	914	76	4,068	948	79	4,141	965	80	4,288	999	83	4,435	1,033	86
30DEG	56			56	30	30	2,538	890	74	2,632	923	77	2,680	940	78	2,775	973	81	2,870	1,006	84
35DEG	57			56	37	36	2,176	935	78	2,257	970	81	2,298	987	82	2,379	1,022	85	2,461	1,057	88
40DEG	65			64	41	40	1,681	909	76	1,744	943	79	1,775	960	80	1,838	994	83	1,901	1,028	86
45DEG	74			73	45	44	1,362	880	73	1,413	912	76	1,438	929	77	1,489	962	80	1,540	995	83
50DEG	86			85	53	51	1,029	886	74	1,067	919	77	1,086	935	78	1,125	968	81	1,163	1,002	84
55DEG	93			93	56	54	921	889	74	956	923	77	973	939	78	1,007	973	81	1,042	1,006	84

Performance Package	System Watts	Distribution Type	Field Angle		Beam Angle		27K (2700K, 80CRI)			30K (3000K, 80CRI)			35K (3500K, 80CRI)			40K (4000K, 80CRI)			50K (5000K, 80CRI)		
			°H	°V	°H	°V	Max CD	Lumens	LPW	Max CD	Lumens	LPW	Max CD	Lumens	LPW	Max CD	Lumens	LPW	Max CD	Lumens	LPW
P1 120 Volt	11	15DEG	33	33	19	19	4,568	619	56	4,710	638	58	4,755	644	59	5,056	685	62	5,078	688	63
		20DEG	45	45	22	22	2,463	563	51	2,539	581	53	2,563	586	53	2,725	623	57	2,737	626	57
		25DEG	44	44	24	24	2,555	595	54	2,634	614	56	2,659	620	56	2,827	659	60	2,840	662	60
		30DEG	56	56	30	30	1,653	580	53	1,704	598	54	1,721	603	55	1,830	642	58	1,838	645	59
		35DEG	57	56	37	36	1,418	609	55	1,461	628	57	1,475	634	58	1,569	674	61	1,576	677	62
		40DEG	65	64	41	40	1,095	592	54	1,129	611	56	1,140	617	56	1,212	656	60	1,217	659	60
		45DEG	74	73	45	44	887	573	52	915	591	54	924	596	54	982	634	58	986	637	58
		50DEG	86	85	53	51	670	577	52	691	595	54	697	601	55	742	639	58	745	641	58
		55DEG	93	93	56	54	600	580	53	619	597	54	625	603	55	664	641	58	667	644	59

CRI SCALING	Multiplier
90CRI	0.83
Note: Information based on ASPEN 12 volt	
CRI SCALING	Multiplier
90CRI	0.77
Note: Information based on ASPEN 120 volt	
EXTERNAL CAP	Multiplier
C2	0.70
C3	0.965

OPERATING TEMPERATURE: -20°C through 45°C (120v, Aluminum Material)
 -20°C through 50°C (12v, Aluminum Material)
 -20°C through 30°C (120v and 12v, Stainless Steel and Brass Material)

PHOTOMETRIC DIAGRAMS

To see complete photometric reports or download .ies files for this product, visit www.hydreled.com



FEATURES & SPECIFICATIONS

MATERIAL: Body, caps and knuckle machined from 6061-T6 aluminum. BR - machined from 360 brass. SS- machined from 304 stainless steel.

LIGHT SOURCE: Proprietary high output LEDs. Units have near constant light output when supplied with 11VAC-14VAC to combat voltage drop. All within 3 MacAdam ellipses.

VOLTAGE: 12 Volt AC, 120 volt AC.

DISTRIBUTION: Available 15DEG, 20DEG, 25DEG, 30DEG, 35DEG, 40DEG, 45DEG, 50DEG, 55DEG

LENS: FLC - Cut from heat strengthened borosilicate glass for superior clarity and strength. WSL - Molded heat strengthened borosilicate glass for superior clarity and strength, where the glass and the top of the door are flush to allow water to shed off the fixture.

MOUNTING: Knuckle to mount to 7/8" thru hole.

POWER SUPPLY: Remote 12VAC transformer, purchased separately. For 120VAC driver is integral. 12VAC dimmable using a remote magnetic transformer. 120V AC dimmable using a standard Triac dimming switch/systems.

FINISH: Super durable polyester TGIC powder coat finish (standard). Optional zinc undercoat for harsh environments.

FEATURES: Tapered "Sure Lock" knuckle seat for infinite aiming and an unparalleled locking ability. Any combination of up to 2 lens accessories/color filter/shielding can be specified in any cap style and are held securely by a removable stainless steel clip ring.

BUY AMERICAN: Hydrel products are assembled in the USA. Our products meet the Buy America(n) government procurement requirements under FAR, DFARS, and DOT. Please refer to www.acuitybrands.com/resources/buy-american

LISTING: cCSAus, Wet location. Laboratory tests conducted by CSA to UL Standards UL-1598, UL-8750 and UL-1838. IP66 Rated.

WARRANTY: 5-year limited warranty. This is the only warranty provided and no other statements in this specification sheet create any warranty of any kind. All other express and implied warranties are disclaimed. Complete warranty terms located at: www.acuitybrands.com/support/warranty/terms-and-conditions

Consult factory for details

NOTE: Actual performance may differ as a result of end-user environment and application. All values are design or typical values, measured under laboratory conditions at 25 °C. Specifications subject to change without notice.



REMOTE TRANSFORMERS





Transformers may be loaded to 100% capacity, however the recommended load range for optimal efficiency is 40-80%.
Non-Isolated Transformers: Suitable for use with landscape type lighting
Isolated Transformers: Suitable for use with underwater and landscape type lighting

		Part #
	<ul style="list-style-type: none"> • 10 and 20 watts, 120V to 12VAC or 277V to 12VAC magnetic • Must be mounted in a listed weatherproof enclosure • Dimmable by using a magnetic low voltage dimmer switch • Non-Isolated • Suitable for LED 	Examples: TM10 120 TM10 277 TM20 120 TM20 277 See spec sheet for more options
	<ul style="list-style-type: none"> • 100 watts, 120V to 12VAC or 277V to 12VAC magnetic • Rated for outdoor surface mount, minimum of 12" above finished grade with the wire connection terminals facing down • Resettable circuit breaker • Two 1/2" knock-outs in the side • Dimmable by using a magnetic low voltage dimmer switch • Non-Isolated • Suitable for LED 	Example: TM100 120 TM100 277 See spec sheet for more options
	<ul style="list-style-type: none"> • 200, 300, 600 and 900 watts, 120V to 12VAC or 277V to 12VAC magnetic • Rated for outdoor surface mount, minimum of 12" above finished grade with the wire connection terminals facing down • Multi-tap secondary output allowing 12-15 Volt • Internal on/off switch-circuit breaker • Five "knock-outs" in the bottom cover plate (two 1/2", two 3/4" and one 1-1/2") • Dimmable by using a magnetic low voltage dimmer switch • Non-Isolated • Suitable for LED 	Example: TM200 120 TM200 277 TM300 120 TM300 277 TM600 120 TM600 277 TM900 120 TM900 277 See spec sheet for more options
	<ul style="list-style-type: none"> • 15watts, 120V to 12VAC, electronic • Maximum remote distance is 10' • Non-Isolated Suitable for LED 	Example: TE15 120 See spec sheet for more options
	<ul style="list-style-type: none"> • 60 and 75 watts 120V to 12VAC or 277V to 12VAC electronic • Maximum remote distance is 10' • Non-Isolated Suitable for LED 	Examples: TE60 120 TE75 120 TE75 277 See spec sheet for more options



REMOTE TRANSFORMERS

Transformers may be loaded to 100% capacity, however the recommended load range for optimal efficiency is 40-80%.
Non-Isolated Transformers: Suitable for use with landscape type lighting
Isolated Transformers: Suitable for use with underwater and landscape type lighting

		Part #
	<ul style="list-style-type: none"> • Stepdown transformers are two winding isolated type • Two separate wiring compartments isolate primary and secondary leads • Housed in weatherproof enclosure • Meets requirements of article 680 N.E.C. Listed by U.L • 100 watt 120/12,13,14 ac (T1901) • 300 watt 120/12,13,14 ac (T1903) • 900 watt 120,12,13,14 ac (T1904) • 500 watt 120/12,13,14 ac (1905) • Dimmable by using magnetic low voltage dimmer switch • Isolated - can be used near underwater application • Suitable for LED 	<p>Examples: T1901 (100watts) T1903 (300watts) T1904 (900 watts) T1905 (500 watts) See spec sheet for more options</p>
	<ul style="list-style-type: none"> • Ground power post mount • 15 watts, 120V to 12V AC, electronic • Non-Isolated, suitable for LED • Non-Dimmable • Stem length available from 3" to 36" 	<p>Examples: PM60B ET15 120 S3 BL PMBR60B ET15 120 S6 POL See spec sheet for more options</p>
	<ul style="list-style-type: none"> • Wall mount power box • 15 watts, 120V to 12V AC, electronic • 20 watts, 120V to 12V AC, magnetic • ET15 - Electronic is non-dimmable • M20 - Magnetic is dimmable using low voltage magnetic dimmer switch • Non-isolated, suitable for LED 	<p>Examples: WP2J ET15 120 12C BL WP2S M50 120 34C BRS See spec sheet for more options</p>
	<ul style="list-style-type: none"> • 300 watt • A combination junction box and transformer box • Box includes a junction box, transformer housing, and anti-wicking chamber to prevent water being drawn from the conduit into the transformer housing • Completely pre-wired with interconnecting leads which are terminated and embedded in high temperature sealing compound to prevent wicking • M300 watt 120 or 277 volt can be used with LED 12VAC • M300 Dimmable using low voltage magnetic dimmer switch • Suitable for LED • Non-Isolated 	<p>Examples: BPTA or BPTB See spec sheet for more options</p>



ACCENT MOUNTING ACCESSORIES

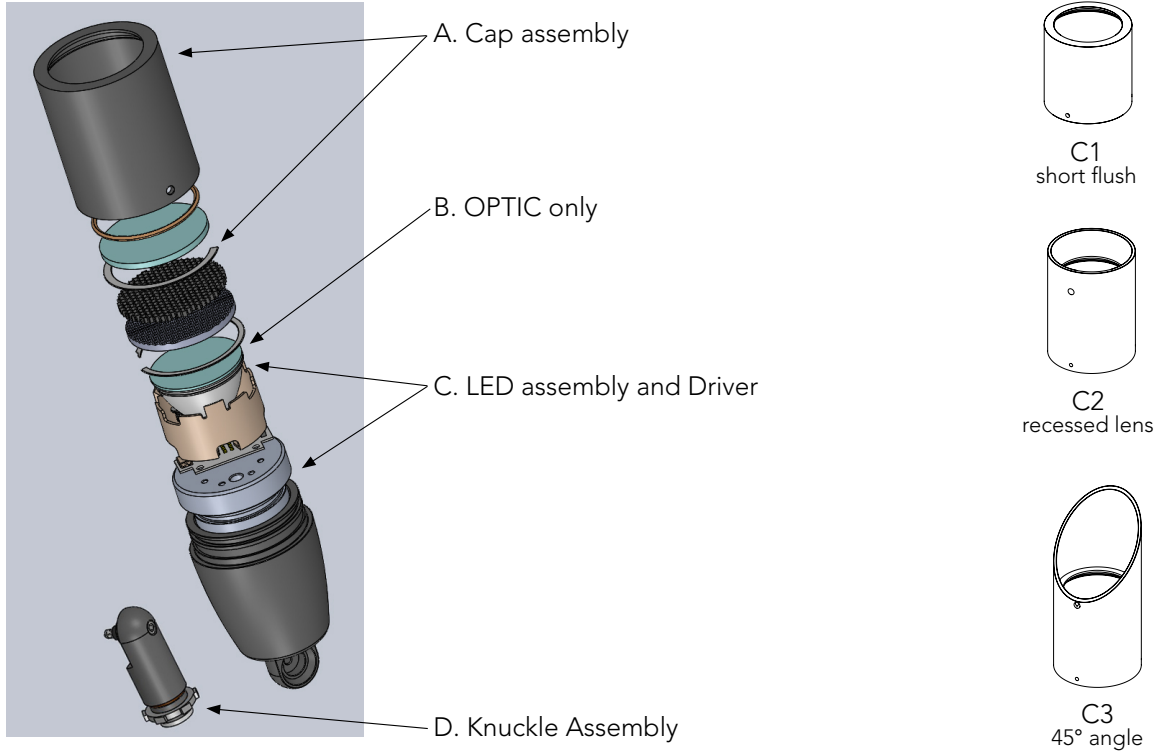
		Part #
	<ul style="list-style-type: none"> JBA/JBB Junction box for direct fixture mounting Available in cast bronze or aluminum Used where splicing is required for single or multiple fixtures Drilled and tapped to specified requirements May be Ground or wall mounted 	Examples: JBA 34E 34F 78G BL JBB 12A 12C 78G See spec sheet for more options
	<ul style="list-style-type: none"> ARJB Architectural Junction Box Available in cast aluminum For direct mounting of a single lighting fixture Designed for architectural and landscape application Recommended for mounting on a rigid metallic conduit 	Example: ARJB 12B 78C BL See spec sheet for more options
	<ul style="list-style-type: none"> CN4 wall plate canopy Available in aluminum or brass Shape rectangular to mount over a standard switch box Thru hole sized for standard 1/2 pipe thread Fixtures secured via locking nut (for thru hole) or threaded knuckle 	Example: CN4 78C BL See spec sheet for more options
	<ul style="list-style-type: none"> CN5 wall mount canopy Available in Aluminum, Brass or stainless steel Shape round to mount over a standard 4" round or octagonal box. Thru hole sized for standard 1/2 pipe thread Fixture secured via locking nut (for thru hole) or threaded knuckle 	Example: CN5 78C BL See spec sheet for more options
	<ul style="list-style-type: none"> WMC wall mount cover Available in cast aluminum Wall mount cover or mounting fixture over wall box (by others) 	Examples: WMC 78C BL See spec sheet for more options
	<ul style="list-style-type: none"> WMSA wall mount splice access Available in cast aluminum Wall mount with splice access plate for mounting a variety of fixtures Integral splice access compartment for easy fixture connections To be mounted over a recessed wall box 	Example: WMSA 78C BL See spec sheet for more options



ACCENT MOUNTING ACCESSORIES

		Part #
	<ul style="list-style-type: none"> • TRA/TRB tree mount junction box • Available in cast aluminum or bronze Includes a splice box with a mounting plate • Placement of small accent fixtures around or on a structure, like a tree 	Examples: TRA 12B 78C BL TRB 12B 78C See spec sheet for more options
	<ul style="list-style-type: none"> • TRAS/TRBS tree mount junction box with strap. • Available in cast aluminum or bronze • Includes one or more splice boxes with a polypropylene strap • Placement of small accent fixtures around the trunk or branch of a tree 	Examples: 2TRAS 12B 78C DDB 1TRBS 12B 78C See spec sheet for more options
	<ul style="list-style-type: none"> • STK ground mounting stake • Low voltage portable installations only • UV Stable plastic 	Example: STK See spec sheet for more options
	<ul style="list-style-type: none"> • Post Mounts PM60A, PM60C and PM60D Ground Mounting posts • Available in aluminum or brass • Suitable for fixtures with 1/2" knuckles • Fixtures are secured with a locking nut • PM60A and PM60D are used only with low volt fixtures • PM60C can be used with low or line voltage fixtures • Optional stems are offered in lengths from 3" to 36" 	Examples: PM60A S3 BL PMBR60C S12BR BRS PM60D BL See spec sheet for more options
	<ul style="list-style-type: none"> • EA-Extended Arms • Available in lengths 12", 24" and 36" • Available in angles 45° and 90° • Material available in aluminum • Extended arms are compatible with WMC and WMSA wall mounts 	Examples: WMC EA12 12C BL WMSA EA4512 12C BRS
	<ul style="list-style-type: none"> • Tree Ring TRAR 2FX, TRAR 3FX, TRAR 4XF, TRAR 5FX, TRAR 6FX • Stainless Steel Ring and Hardware • Can accommodate trees between 10" to 15" in diameter • Available in 2, 3, 4, 5 and 6 fixture configurations 	Examples: TRAR 5FX 12S 12C BL TRAR 3FX 12S 12C BRS Note: TRAR is sold separately. See spec sheets for options

ASPEN SPARE PARTS LIST






Part Number	Description
A. Cap Assembly CAPAASPEN C1 XX¹ XXX² XXX³ CAPAASPEN C2 XX¹ XXX² XXX³ CAPAASPEN C3 XX¹ XXX² XXX³ 1. Available material finishes: A, BR, SS 2. Available lens: FLC, WSL 3. Add paint finish	Cap Assembly will include the cap, lens and o-ring
B. OPTIC only OPTASPEN XX¹ 1. Available distributions: 15DEG, 20DEG, 25DEG, 30DEG, 35DEG, 40DEG, 45DEG, 50DEG, 55DEG	One piece snap on optic only
C. LED Assembly+ Driver module LEDAASPEN XX¹ XXX² XXX³ XXX⁴ XXX⁵ 1. Available Performance Packages: P1, P2 2. Available CRI: 80CRI, 90CRI 3. Available colors: 27K, 30K, 35K, 40K, 50K 4. Available voltage: 12, 120 5. Available distributions: 15DEG, 20DEG, 25DEG, 30DEG, 35DEG, 40DEG, 45DEG, 50DEG, 55DEG	Includes LED array, optics, encapsulated driver (120v)
D. KAASPEN XX¹ XXX² XXX³ 1. Available material finishes: A, BR, SS 2. Available knuckle: KM, 350R 3. Add paint finish	Knuckle Assembly

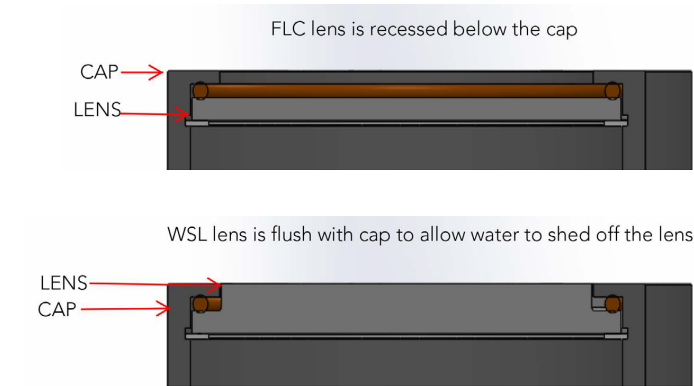


ASPEN INTERNAL ACCESSORIES

Internal Accessories can be ordered separate and are field replaceable

	<p>INTERNAL HONEYCOMB LOUVER</p> <ul style="list-style-type: none"> • Hexagonal cell louver with 45° cut-off • includes retaining ring 	<p>Example: IHLASPEN</p>
	<p>INTERNAL ACCESSORY LENSES</p> <ul style="list-style-type: none"> • L1 Prismatic Lens • L2 Linear Spread Lens • L3 Softening Lens • includes retaining ring 	<p>Examples: LAASPEN L1 LAASPEN L2 LAASPEN L3</p>
	<p>INTERNAL COLORED FILTERS</p> <ul style="list-style-type: none"> • FA Amber • FG Green • FGD Green Dichroic • FLB Light Blue • FM Mercury Vapor • FMB Medium Blue • FMBD Medium Blue Dichroic • FR Red • FRD Red Dichroic • includes retaining ring 	<p>Examples: CFASPEN FA CFASPEN FG CFASPEN FGD CFASPEN FLB CFASPEN FM CFASPEN FMB CFASPEN FMBD CFASPEN FR CFASPEN FRD</p>

The difference between the FLC and WSL lens





CATALOG NUMBER _____
 NOTES _____
 TYPE _____



Specifications

Weight:	4' 17.5lbs
	2' 12.5lbs

4750L STATIC WHITE

Linear

HIGHLIGHTS

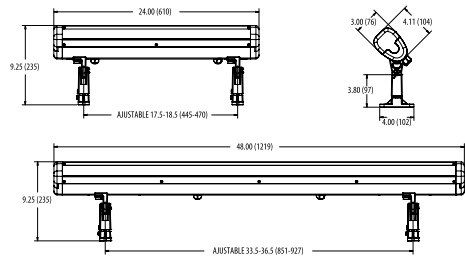
- The 4750L delivers industry leading durability, performance and lumen output
- Superior water resistance IP67 with Hydrel "Flow-Thru" technology, water flows around the independently sealed integral driver module and sealed LED module
- Aiming integrity with a fully adjustable and rugged knuckle design using Taper-Lock technology
- Long life in the most demanding environments with low copper content housing materials, stainless steel fasteners, and durable powder coat finish options for Coastal Regions and Natatoriums
- 3G vibration rated per ANCI C136.31
- Integral J- Box option available



IP67



DIMENSIONS

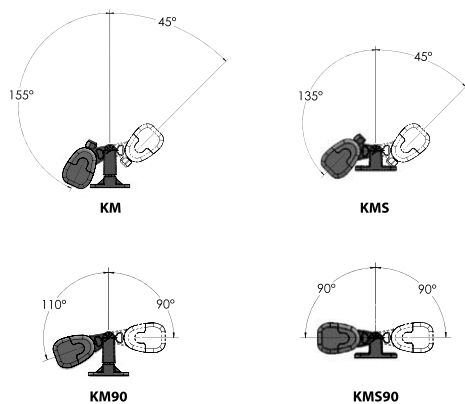


LUMEN PACKAGES

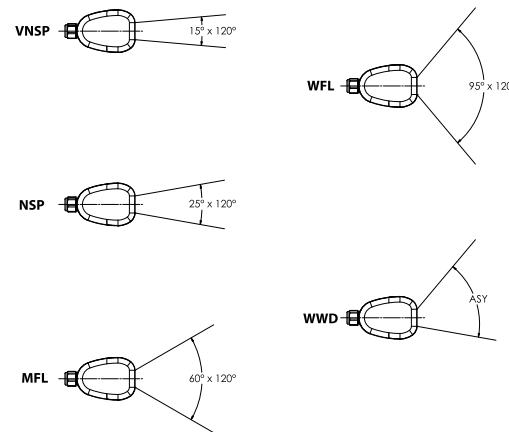
	VNSP	NSP	MFL	WFL	WWD
Delivered Lumens	6491	6646	7200	7286	6592
Watts	64	64	64	64	64
LPW	102	104	113	114	103
Peak Candela	7650	5961	4242	2683	3998

Note: Information based on 4000K @ 2000LMF on 4FT fixture

AIMING DETAILS



STANDARD DISTRIBUTION





ORDERING INFORMATION

EXAMPLE: 4750L 4FT 500LMF 30K MVOLT VNSP KM EA6 ZT CSL10 BL

Model*	Max Fixture Length*	LED Output	LED Color Temperature*	Voltage*	Distribution*	Mounting*
4750L LED Linear Flood	2FT 2' (nominal length)	500LMF 500 nominal lumens per foot	27K 2700K	MVOLT 120-277 volt 347 347 volt 4ft only	VNSP 15 x 120 degrees	KM Knuckle Mount 45°
	4FT 4' (nominal length)	1000LMF 1000 nominal lumens per foot	30K 3000K		NSP 25 x 120 degrees	KMS Knuckle Mount Short 45°
	Note: 2FT exclude AMBLW	2000LMF 2000 nominal lumens per foot	35K 3500K		MFL 60 x 120 degrees	KM90 Knuckle Mount 90°
	Note: 2FT exclude INJB	800LMF 800 nominal lumens per foot	40K 4000K		WFL 95 x 120 degrees	KMS90 Knuckle Mount short 90°
		Note: 800LMF for AMBLW only	50K 5000K		WWD Wall Wash (Asymmetric)	Note: KMS and KMS90 not available with mounting accessories.
			AMBLW Amber wavelength 590nm			
			Note: INJB not available with AMBLW			

Mounting Accessories	Accessories	Option	Cord Length*	Control Input*	Environmental Options	Finish*
JB4750L Aluminum junction box	EA6 extended arm 6"	INJB Integral J-Box	CSL___ 10'-50' of cable available in 5' increments	ZT 0 - 10V	MRE Marine Environment	BL Black Textured
MS12 12" Steel mounting spike	EA12 extended arm 12"	Note: INJB available with 4FT max fixture length, MVOLT and KM mounting only.	Note: Cord length is not required with INJB	ELV Reverse Phase	NT Natatorium Construction	BZ Bronze Textured
MS18 18" Steel mounting spike	EA18 extended arm 18"	Note: INJB used for direct conduit entry, eliminating cable exposure in ground mounted and building mounted applications.		DALI DALI	CR Corrosion Resistant	DBLB Designer Black Textured
PSSA Pedestal Stanchion Splice Access	FVSR Full Visor			DMX DMX		DBBT Designer Bronze Textured
SMSA___ Stanchion mount splice access. Available 12"-48" in 6" increments	HVSR Half Visor			Note: If 347 exclude ELV and DALI 2ft exclude DALI and DMX		DNAT Designer Natural Aluminum Textured
	Note: Full visor includes top and bottom shield.			Note: INJB only available with ZT and ELV		GN Green Textured
	Half Visor is top only for all distributions except wall wash which is bottom only.					GR Grey Textured
						SND Sand Textured
						STG Steel Gray Textured
						TVG Terra Verde Green Textured
						WH White Textured
						DBL Designer Black Smooth
						DDB Designer Bronze Smooth
						DNA Natural Aluminum Smooth
						DWH Designer White Smooth
						CF Custom Finish
						RALTBDRal Paint Finishes
						Note: RALTBDR for pricing only, replace with applicable RAL call out when ready to order. See RALBROCHURE for available options. It is recommended only use textured paint for Hydrel fixtures

Note: * is a required field

DIMMING CHART

Voltage	Control Input	Min Dimming Level
MVOLT	ZT 0-10V	Dark
MVOLT	ELV Reverse Phase	Dark
MVOLT	DALI	Dark
MVOLT	DMX	Dark
347	ZT	Min1

* Dark - Constant Current Dimming to <1%
* Min1 - Constant Current Dimming to 1%

ELECTRICAL LOAD

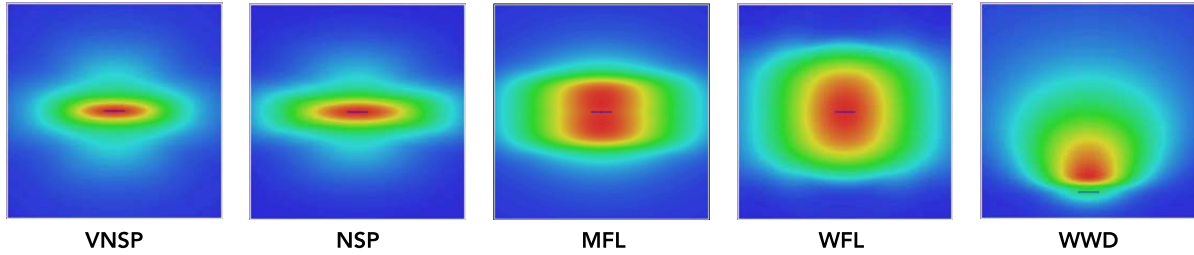
Light Engines	Drive Current (mA)	System Watts	Current (A)				
			120	208	240	277	347
500LMF	500	21.1	0.18	0.10	0.09	0.08	NA
1000LMF	1040	42.1	0.35	0.20	0.18	0.15	0.12
2000LMF	1400	65.9	0.55	0.32	0.27	0.24	0.19

Operating Hours	0	25,000	50,000	100,000
Lumen Maintenance Factor	1.00	0.94	0.85	0.70

Ambient	Lumen Multiplier	
0°C	32°F	1.02
10°C	50°F	1.01
20°C	68°F	1.00
25°C	77°F	1.00
30°C	86°F	1.00
40°C	104°F	0.98



PERFORMANCE DATA



LUMEN OUTPUT 4' FIXTURE

Lumen values are from photometric tests performed in accordance with IESNA LM-79-08. Data is considered to be representative of the configurations shown, within the tolerances allowed by Lighting Facts. Actual performance may differ as a result of end-user environment and application. Contact factory for performance data on any configurations not shown here.

LED Output	System Watts	Distribution Type	Field Angle		Beam Angle		30K (3000 CCT, 80CRI)			40K (4000 CCT, 80CRI)			50K (5000 CCT, 80CRI)		
			°H	°V	°H	°V	Max Cd	Lumens	LPW	Max Cd	Lumens	LPW	Max Cd	Lumens	LPW
500LMF	21W	VNSP	149.4	50.4	107.0	14.7	2510	2129	102	2770	2350	112	2943	2497	119
		NSP	153.2	78.7	113.6	22.7	1956	2181	104	2158	2406	115	2293	2556	122
		MFL	157.0	83.8	121.5	56.6	1392	2362	113	1536	2607	124	1632	2770	132
		WFL	161.3	109.7	127.4	92.3	880	2390	114	971	2638	126	1032	2803	134
		WWD	155.9	75.3	112.8	49.8	1312	2163	103	1447	2387	114	1538	2536	121
1000LMF	42W	VNSP	149.4	50.4	107.0	14.7	4823	4092	99	5322	4516	109	5655	4798	116
		NSP	153.2	78.7	113.6	22.7	3758	4190	102	4147	4624	112	4406	4913	119
		MFL	157.0	83.8	121.5	56.6	2675	4540	110	2952	5009	121	3136	5322	129
		WFL	161.3	109.7	127.4	92.3	1692	4594	111	1867	5069	123	1983	5386	131
		WWD	155.9	75.3	112.8	49.8	2521	4156	101	2782	4586	111	2955	4873	118
2000LMF	63W	VNSP	149.4	50.4	107.0	14.7	6933	5882	92	7650	6491	102	8128	6896	108
		NSP	153.2	78.7	113.6	22.7	5402	6023	94	5961	6646	104	6333	7062	111
		MFL	157.0	83.8	121.5	56.6	3845	6525	102	4242	7200	113	4508	7650	120
		WFL	161.3	109.7	127.4	92.3	2432	6603	103	2683	7286	114	2851	7741	121
		WWD	155.9	75.3	112.8	49.8	3623	5974	94	3998	6592	103	4248	7004	110

LUMEN OUTPUT 2' FIXTURE

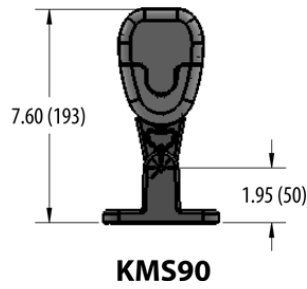
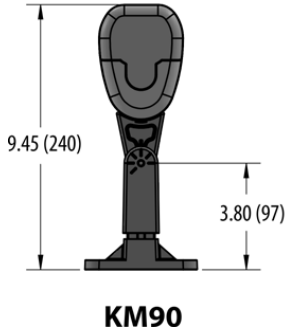
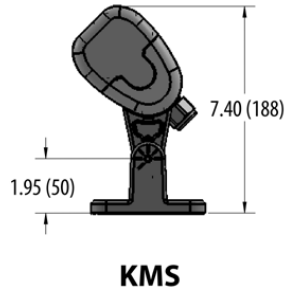
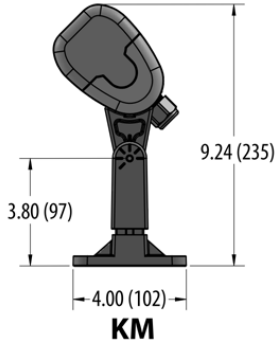
Lumen values are from photometric tests performed in accordance with IESNA LM-79-08. Data is considered to be representative of the configurations shown, within the tolerances allowed by Lighting Facts. Actual performance may differ as a result of end-user environment and application. Contact factory for performance data on any configurations not shown here.

LED Output	System Watts	Distribution Type	Field Angle		Beam Angle		30K (3000 CCT, 80CRI)			40K (4000 CCT, 80CRI)			50K (5000 CCT, 80CRI)		
			°H	°V	°H	°V	Max Cd	Lumens	LPW	Max Cd	Lumens	LPW	Max Cd	Lumens	LPW
500LMF	11W	VNSP	149.2	52.4	107.7	14.6	1116	988	99	1231	1091	109	1308	1159	116
		NSP	150.0	69.7	112.3	19.9	973	999	100	1074	1103	110	1141	1172	117
		MFL	155.3	83.7	118.1	56.0	650	1078	108	717	1190	119	762	1264	127
		WFL	161.0	109.1	124.6	91.5	430	1117	112	474	1232	123	504	1309	131
		WWD	155.4	73.1	111.0	48.9	581	970	97	641	1070	107	681	1137	114
1000LMF	21W	VNSP	149.2	52.4	107.7	14.6	2269	2010	94	2504	2218	103	2661	2357	110
		NSP	150.0	69.7	112.3	19.9	1978	2032	95	2183	2242	105	2320	2383	111
		MFL	155.3	83.7	118.1	56.0	1322	2193	102	1459	2420	113	1550	2571	120
		WFL	161.0	109.1	124.6	91.5	874	2271	106	964	2505	117	1025	2662	124
		WWD	155.4	73.1	111.0	48.9	1182	1972	92	1304	2176	101	1386	2312	108
2000LMF	32W	VNSP	149.2	52.4	107.7	14.6	3305	2928	90	3647	3231	99	3875	3432	106
		NSP	150.0	69.7	112.3	19.9	2882	2960	91	3180	3266	101	3379	3470	107
		MFL	155.3	83.7	118.1	56.0	1925	3194	98	2125	3524	109	2257	3745	115
		WFL	161.0	109.1	124.6	91.5	1273	3307	102	1464	3649	112	1492	3877	119
		WWD	155.4	73.1	111.0	48.9	1722	2871	88	1900	3169	98	2018	3367	104



MOUNTING OPTIONS

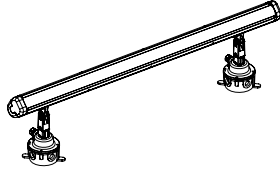
KNUCKLE MOUNTING



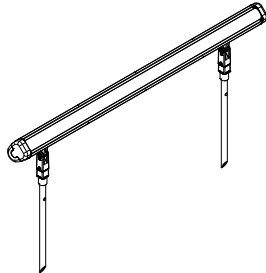


MOUNTING ACCESSORIES

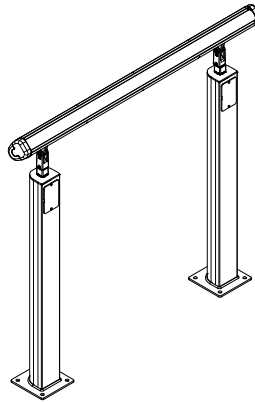
MOUNTING ACCESSORIES - is supplied with 1/2" NPS adaptor. Suitable for ground mounting.



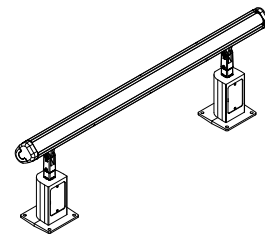
JB4750L Junction Box



MS12 Mounting splice available in 12" and 18"

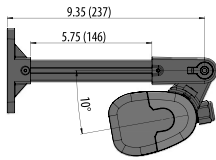


SMSA12 Mounting available in 12"-48" in 6" increments

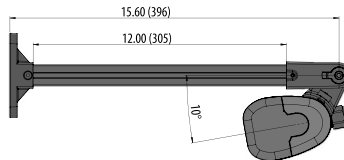


PSSA Mounting

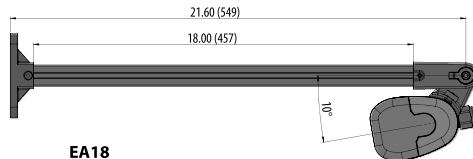
EXTENDED ARM Suitable for wall or surface mount



EA6



EA12



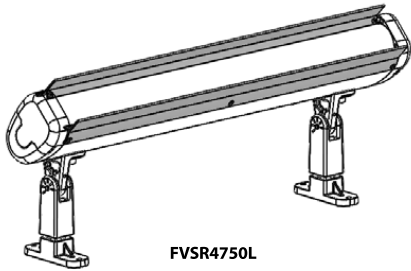
EA18



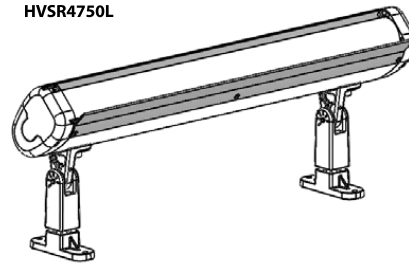
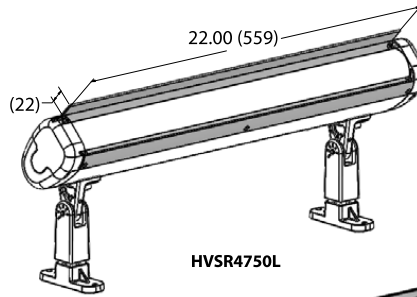
EXTERNAL ACCESSORIES

VISORS

FULL VISOR is supplied with top and bottom visor.

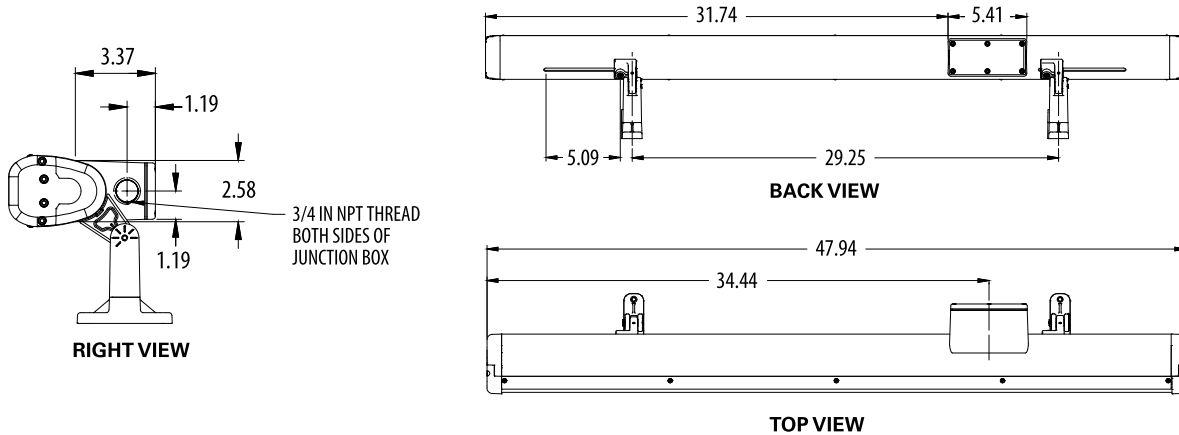


HALF VISOR are factory installed on top side except for wall wash distribution which is installed on the bottom. Visors: Can be field installed and moved from top to bottom if desired.



4750L WITH INTEGRAL J-BOX

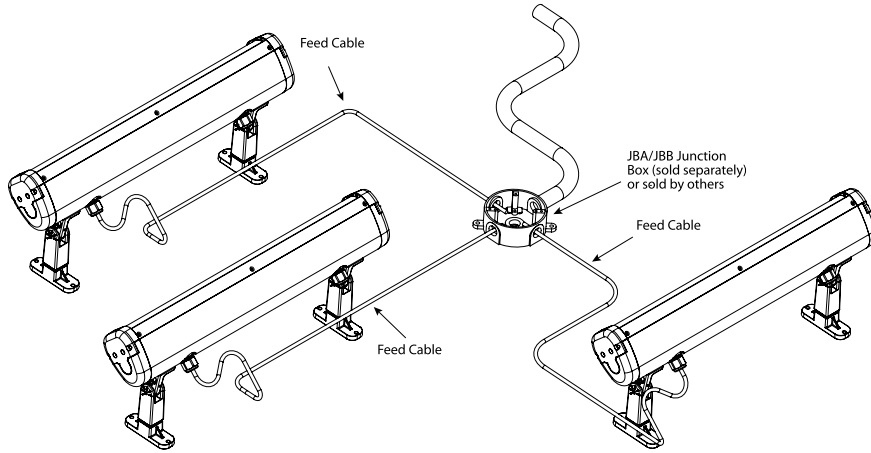
INJB used for direct conduit entry, eliminating cable exposure in ground mounted and building mounted applications.



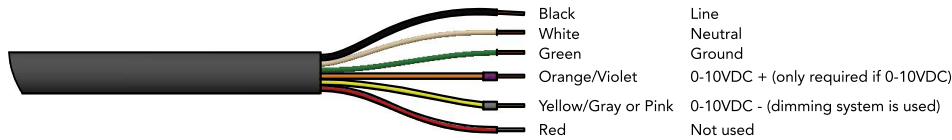


WIRING AND LAYOUT DESIGN

INDIVIDUAL RUN LAYOUT



Feed Cable Wiring Detail - Static Fixture



SPECIFICATIONS AND FEATURES

MATERIAL: Copper free die cast aluminum and corrosion resistant extruded aluminum. All stainless steel fasteners.

LIGHT SOURCE: CCT 27K, 30K, 35K, 40K, 50K, 80CRI, AMBLW limited wavelength 590nm. All within 3 MacAdam ellipses.

VOLTAGE: MVOLT 120-277 or 347 (4ft only)

DISTRIBUTION: VN5P (10x), NSP (20x), MFL (55x), WFL (100x), WWD (wall wash Asymmetric)

LENS: High clarity acrylic, superior UV resistant.

MOUNTING: KM (kuckle mount 45°), KMS (Knuckle Mount Short 45°), KM90 (Knuckle mount 90°), KMS90 (Knuckle mount short 90°).

FINISH: Exterior parts are protected by a zinc-infused super durable TGIC thermoset powder coat finish that provides superior resistance to corrosion and weathering. A tightly controlled multi-stage process ensures a minimum 3 mils thickness for a finish that can withstand extreme climates without cracking or peeling.

CORD DETAILS: MVOLT - 18-6 SJTOW 10ft. length. 347 - 16-5 STW 10ft. length.

LISTING: cCSAus, MRE (marine Environment) is listed to UL1598a. IP67 rated.

DesignLights Consortium® (DLC) qualified product. Not all versions of this product may be DLC qualified. Please check the DLC Qualified Products List at www.designlights.org to confirm which versions are qualified.

ENVIRONMENT: Suitable for outdoor wet location applications. Suitable for indoor, non-IC rated applications, maximum 40° C and minimum -20° C ambient operating temperatures.

BUY AMERICAN ACT: This product is assembled in the USA and meets the Buy America(n) government procurement requirements under FAR, DFARS and DOT regulations. Please refer to www.acuitybrands.com/resources/buy-american for additional information.

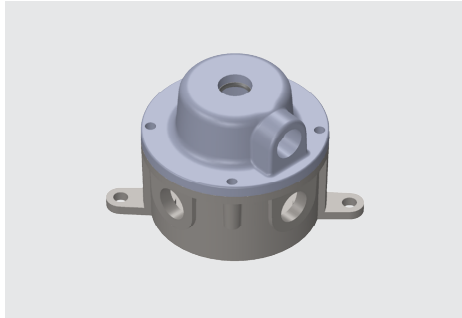
WARRANTY: 5-year limited warranty. This is the only warranty provided and no other statements in this specification sheet create any warranty of any kind. All other express and implied warranties are disclaimed. Complete warranty terms located at: www.acuitybrands.com/support/customer-support/terms-and-conditions

Consult factory for details.

NOTE: Actual performance may differ as a result of end-user environment and application. All values are design or typical values, measured under laboratory conditions at 25 °C. Specifications subject to change without notice.



CATALOG NUMBER _____
 NOTES _____
 TYPE _____



JB4750L ALUMINUM JUNCTION BOX FOR DIRECT FIXTURE MOUNTING

HIGHLIGHTS

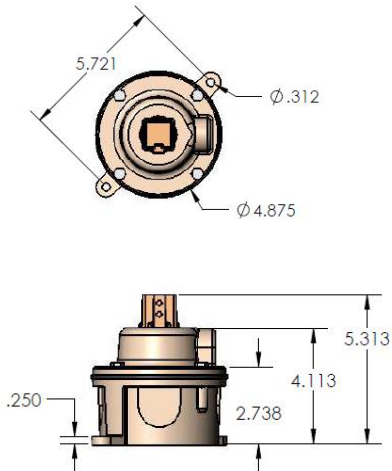


- Cast aluminum junction box suitable for ground or wall mount using a surface conduit
- Designed to be used with the 4750L series
- One top opening 78ADP accepts the 4750L knuckle adapter

Specifications

D:	4 - 3/4"
	121 mm
H:	3"
	76 mm
Weight:	4lbs.

DIMENSIONS



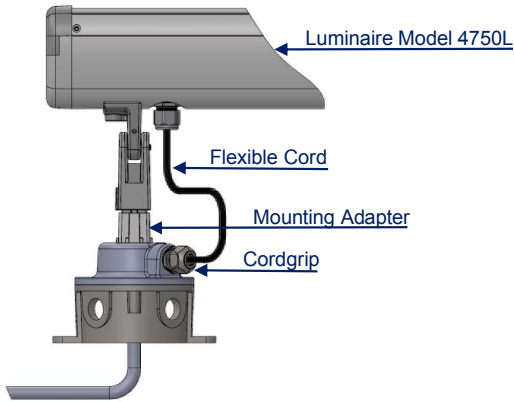


ORDERING INFORMATION

EXAMPLE: JB4750L 34E 34F 78ADP 12CS BL

Model	Conduit Entries - Side ³	Conduit Entries - Bottom ^{1,2,3,4}	Fixture Mounting	Cord Seal	Finish				
JB4750L Junction Box, Aluminum	12A	1/2" NPT	12E	1/2" NPT	78ADP Accepts 4750L Knuckle Adaptor	12CS	1/2" cord seal	BL	Black Textured
	34A	3/4" NPT	34E ³	3/4" NPT		BZ	Bronze Textured		
	16A	PG16	16E	PG16		DBLB	Designer Black Textured		
	20A	M20	20E	M20		DDBT	Designer Bronze Textured		
	12B	1/2" NPT	12F	1/2" NPT		DNAT	Designer Natural Aluminum Textured		
	34B	3/4" NPT	34F ³	3/4" NPT		GN	Green Textured		
	16B	PG16	16F	PG16		GR	Grey Textured		
	20B	M20	20F	M20		STG	Steel Grey Textured		
	12C	1/2" NPT	12H	1/2" NPT		TVG	Terra Verde Green Textured		
	34C	3/4" NPT	34H	3/4" NPT		WH	White Textured		
	16C	PG16	1H ⁴	1" NPT		DBL	Designer Black Smooth		
	20C	M20	16H	PG16		DDB	Designer Bronze Smooth		
	12D	1/2" NPT	20H	M20		DWH	Designer White Smooth		
	34D	3/4" NPT				CF	Custom Finish		
	16D	PG16				RALTBD	Ral Paint Finishes		
	20D	M20							

Note: RALTBD for pricing only, replace with applicable RAL call out when ready to order. See the RALBROCHURE for available options. It is recommended that Hydrel products only use textured paint.



Notes:

- 1 Maximum of one size per location.
- 2 PG16 and M20 drillings are for international applications.
- 3 If no conduit entries chosen then 34E and 34F will be the default.
- 4 If 1H is chosen then no drilling is available at E and F locations.
- 5 Add Zinc undercoat for harsh environments



FEATURES & SPECIFICATIONS

MATERIAL: Heavy wall cast aluminum.

DIMENSIONS: Outside: 4 3/4" (121) diameter x 3" (76) deep.
Inside: 3 1/2" (89) diameter x 2" (51) deep.

FIXTURE MOUNTING: One opening 78ADP accepts the 4750L knuckle adaptor.

CONDUIT ENTRIES: Bottom and side entries available; E, F, & H locations are on the bottom of the Junction Box; A, B, C & D locations are on the sides of the Junction Box. If three (3) bottom entries need to be drilled, the configuration changes to the alternate shown in figure B.

VOLUME: 25 cubic inches.

FINISH NOTE: Aluminum body coated with Permabar; Covers are natural aluminum.

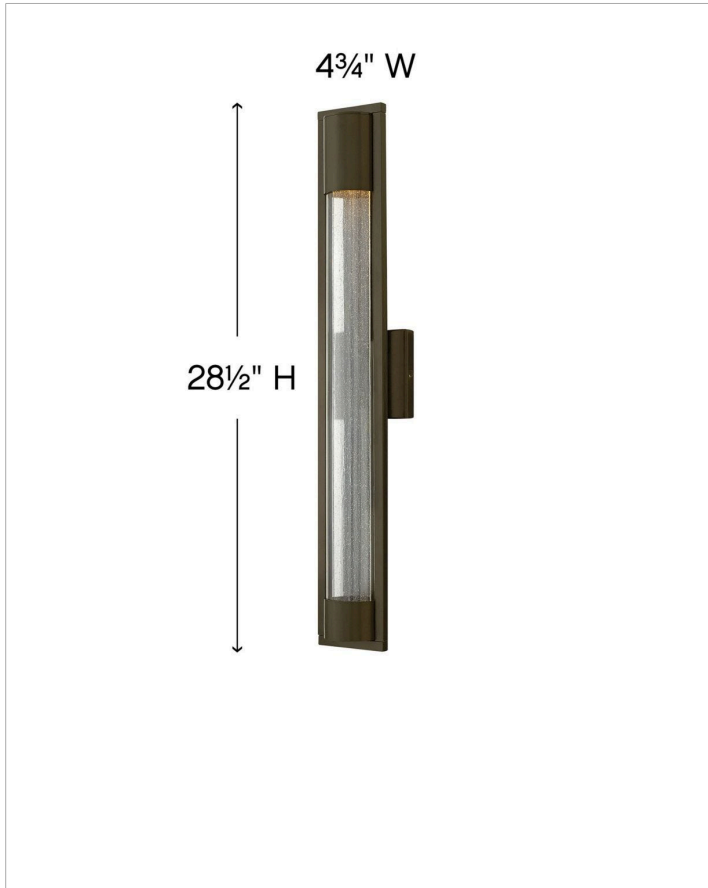
LISTING: U.L.

BUY AMERICAN ACT: This product is assembled in the USA and meets the Buy America(n) government procurement requirements under FAR, DFARS and DOT regulations. Please refer to www.acuitybrands.com/resources/buy-american for additional information.

WARRANTY: 1-year limited warranty. Complete warranty terms located at: www.acuitybrands.com/CustomerResources/Terms_and_conditions.aspx

NOTE: Actual performance may differ as a result of end-user environment and application. Specifications subject to change without notice.

*Note: Hydrel recommends sealing the conduit to maintain dry, clean electrical components.



MIST

1225BZ

LARGE WALL MOUNT LANTERN

The sleek design of the Mist collection discreetly emphasizes its contemporary heritage. Featuring a prominent interior panel of clear seedy glass captured on both ends and encased in a protective clear acrylic cylinder. Its solid aluminum construction is underscored by bold Satin Black, Bronze or Titanium Black finish options. Mist is both Dark Sky and ADA compliant.

DETAILS	
FINISH:	Bronze
MATERIAL:	Aluminum
GLASS:	Clear Acrylic Outside Cylinder & Seedy Glass Inside Panel

DIMENSIONS	
WIDTH:	4.8"
HEIGHT:	28.5"
WEIGHT:	6lb
BACK PLATE:	4.75" Sq.
EXTENSION:	4"
TOP TO OUTLET:	14.25"

LIGHT SOURCE	
LIGHT SOURCE:	LED Lamp
WATTAGE:	1-6.50w GU10 LED
VOLTAGE:	120v

SHIPPING	
CARTON LENGTH:	8
CARTON WIDTH:	8
CARTON HEIGHT:	32.5
CARTON WEIGHT:	7

PRODUCT DETAILS:

- Mounting hardware is hidden on the backplate to ensure a clean silhouette
- Suitable for use in wet (outdoor direct rain or sprinkler) locations as defined by NEC and CEC. Meets United States UL Underwriters Laboratories & CSA Canadian Standards Association Product Safety Standards
- Fixture is Dark Sky compliant and engineered to minimize light glare upward into the night sky
- 2 year finish warranty
- Bold lines and a clean, minimalist style complement contemporary architecture
- For LED lamping, a 6.5w GU10 LED lamp is recommended: GU10LED-3K
- Warm rich light bronze tone

HINKLEY

HINKLEY
33000 Pin Oak Parkway
Avon Lake, OH 44012

PHONE: (440) 653-5500
Toll Free: 1 (800) 446-5539

hinkley.com

Project Name:	Type:
Part Number:	Date:



VALUE SELECT MR FAMILY

FEATURES

- Suitable to replace 35W, 50W, 60W Halogen MR16 lamps
- Compatible with most low-voltage electronic transformers
- 35W and 50W models are dimmable with most electronic low voltage dimming controls*
- Compact size 1:1 halogen form factor
- Narrow flood and flood beam angles
- Suitable for use in totally enclosed fixtures
- Suitable for use in damp location
- Fixture operating temperature: -4°F to 95°F (-20°C to 35°C)
- Lamp ambient temperature: -4°F to 113°F (-20°C to 45°C)
- Rated Lifetime (L70): 25,000hrs
- 3 year limited warranty**



120221

LIGHTING DESIGN ALLIANCE



SPECIFICATIONS

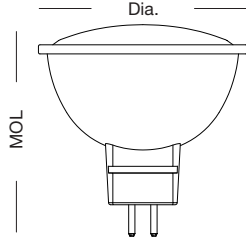
Product	Model	Equiv.	Wattage (W)	CCT	Lumens (lm)	Efficacy (LPW)	Input Voltage	Beam Angle	CBCP (cd)	CRI	Dim.*	Power Factor	Base	Fixture Rating	ES / JA8 / T20
36200	6.5MR16DIM/827NF25/35W	35W	6.5	2700K	460	71	12V	NF 25°	1,610	82	Yes	0.9	GU5.3	Enclosed	√ / N.A. / N.A.
36201	6.5MR16DIM/830NF25/35W	35W	6.5	3000K	460	71	12V	NF 25°	1,610	82	Yes	0.9	GU5.3	Enclosed	√ / N.A. / N.A.
36202	6.5MR16DIM/827FL35/35W	35W	6.5	2700K	460	71	12V	FL 35°	910	82	Yes	0.9	GU5.3	Enclosed	√ / N.A. / N.A.
36203	6.5MR16DIM/830FL35/35W	35W	6.5	3000K	460	71	12V	FL 35°	910	82	Yes	0.9	GU5.3	Enclosed	√ / N.A. / N.A.
36204	6.5MR16DIM/927NF25	50W	6.5	2700K	500	77	12V	NF 25°	2,350	92	Yes	0.9	GU5.3	Enclosed	√ / √ / √
36205	6.5MR16DIM/930NF25	50W	6.5	3000K	520	80	12V	NF 25°	2,400	92	Yes	0.9	GU5.3	Enclosed	√ / √ / √
36206	6.5MR16DIM/940NF25	50W	6.5	4000K	540	83	12V	NF 25°	2,450	92	Yes	0.9	GU5.3	Enclosed	√ / √ / √
36207	6.5MR16DIM/927FL35	50W	6.5	2700K	500	77	12V	FL 35°	1,350	92	Yes	0.9	GU5.3	Enclosed	√ / √ / √
36208	6.5MR16DIM/930FL35	50W	6.5	3000K	520	80	12V	FL 35°	1,400	92	Yes	0.9	GU5.3	Enclosed	√ / √ / √
36209	6.5MR16DIM/940FL35	50W	6.5	4000K	540	83	12V	FL 35°	1,450	92	Yes	0.9	GU5.3	Enclosed	√ / √ / √
36210	6GU10DIM/827FL40	50W	6	2700K	550	92	120V	FL 40°	700	82	Yes	0.7	GU10	Enclosed	√ / N.A. / N.A.
36211	6GU10DIM/830FL40	50W	6	3000K	570	95	120V	FL 40°	750	82	Yes	0.7	GU10	Enclosed	√ / N.A. / N.A.
36212	6PAR16DIM/827FL35/RC	60W	6	2700K	550	92	120V	FL 35°	1,000	82	Yes	0.7	E26	Enclosed	√ / N.A. / N.A.
36213	6PAR16DIM/830FL35/RC	60W	6	3000K	570	95	120V	FL 35°	1,050	82	Yes	0.7	E26	Enclosed	√ / N.A. / N.A.
57984	6MR16DIM/827FL35/R	50W	6	2700K	480	80	12V	FL 35°	1,350	82	Yes	0.9	GU5.3	Enclosed	√ / N.A. / N.A.
57985	6MR16DIM/830FL35/R	50W	6	3000K	500	83	12V	FL 35°	1,400	82	Yes	0.9	GU5.3	Enclosed	√ / N.A. / N.A.
57986	6MR16DIM/840FL35/R	50W	6	4000K	520	86	12V	FL 35°	1,450	82	Yes	0.9	GU5.3	Enclosed	√ / N.A. / N.A.
57991	6PAR16DIM/830FL35/R	60W	6	3000K	500	83	120V	FL 35°	1,050	82	Yes	0.9	E26	Enclosed	√ / N.A. / N.A.

* This lamp might not be compatible with all dimmers and low-voltage transformers. Please visit www.greencreative.com for compatibility information.

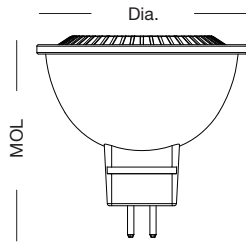
** Please visit www.greencreative.com for Limited Warranty terms.

VALUE SELECT MR FAMILY

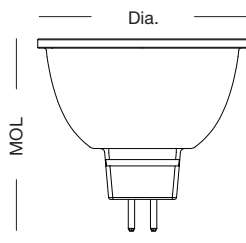
DIMENSIONS & WEIGHT



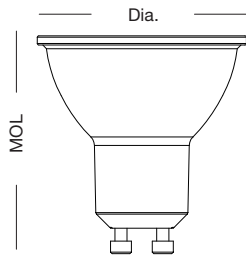
Model	Base	Dia.	MOL	Weight
6.5MR16DIM/827NF25/35W	GU5.3	1-15/16"	2"	0.1lb
6.5MR16DIM/830NF25/35W				



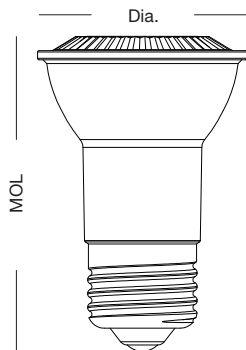
Model	Base	Dia.	MOL	Weight
6.5MR16DIM/827FL35/35W	GU5.3	1-15/16"	1-15/16"	0.09lb
6.5MR16DIM/830FL35/35W				



Model	Base	Dia.	MOL	Weight
6.5MR16DIM/927NF25	GU5.3	1-15/16"	1-13/16"	0.1lb
6.5MR16DIM/930NF25				
6.5MR16DIM/940NF25				
6.5MR16DIM/927FL35				
6.5MR16DIM/930FL35				
6.5MR16DIM/940FL35				



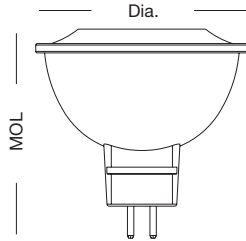
Model	Base	Dia.	MOL	Weight
6GU10DIM/827FL40	GU10	1-15/16"	2-1/16"	0.08lb
6GU10DIM/830FL40				



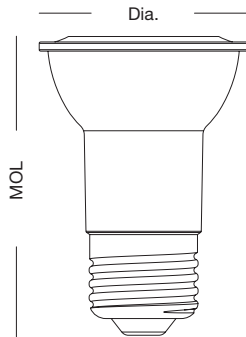
Model	Base	Dia.	MOL	Weight
6PAR16DIM/827FL35/RC	E26	1-15/16"	2-15/16"	0.09lb
6PAR16DIM/830FL35/RC				

VALUE SELECT MR FAMILY

DIMENSIONS & WEIGHT



Model	Base	Dia.	MOL	Weight
6MR16DIM/827FL35/R	GU5.3	1-15/16"	1-15/16"	0.1lb
6MR16DIM/830FL35/R				
6MR16DIM/840FL36/R				



Model	Base	Dia.	MOL	Weight
6PAR16DIM/830FL35/R	E26	1-15/16"	2-13/16"	0.1lb

ORDERING INFORMATION

Model	Master Carton			Shipping Carton		
	Case Qty	Case Dimensions (LxWxH)	Case Weight	Case Qty	Case Dimensions (LxWxH)	Case Weight
6.5MR16DIN/xxxxyyy/35W	12PCS	8-7/8" x 6-11/16" x 2-3/4"	1.59 lb	48PCS	13-3/4" x 9-3/8" x 6-1/2"	6.98 lb
6.5MR16DIM/xxxxyyy	12PCS	8-7/8" x 6-11/16" x 2-3/4"	1.59 lb	48PCS	13-3/4" x 9-3/8" x 6-1/2"	6.98 lb
6GU10DIM/xxxxyyy	12PCS	8-7/8" x 6-11/16" x 2-15/16"	1.4 lb	48PCS	13-3/4" x 9-3/8" x 6-13/16"	6.21 lb
6PAR16DIM/xxxxyyy/RC	12PCS	8-7/8" x 6-11/16" x 3-11/16"	1.6 lb	48PCS	13-3/4" x 9-3/8" x 8-1/4"	7.1 lb
6MR16DIM/xxxxyyy/R	12PCS	8-7/8" x 6-11/16" x 2-3/4"	1.62 lb	48PCS	13-3/4" x 9-3/8" x 6-1/2"	7.12 lb
6PAR16DIM/xxxxyyy/R	12PCS	8-3/8" x 6-11/16" x 3-11/16"	1.9 lb	48PCS	13-7/8" x 9-1/4" x 4-3/4"	8.32 lb

Where xxx means 824-965 which indicates CRI and color temperature
Where yyyy means beam angle

CERTIFICATION INFORMATION

Product	Model	ES ID#	Product	Model	ES ID#
36200	6.5MR16DIM/827NF25/35W	2388773	36209	6.5MR16DIM/940FL35	2387981
36201	6.5MR16DIM/830NF25/35W	2388774	36210	6GU10DIM/827FL40	2388068
36202	6.5MR16DIM/827FL35/35W	2388775	36211	6GU10DIM/830FL40	2388069
36203	6.5MR16DIM/830FL35/35W	2388776	36212	6PAR16DIM/827FL35/RC	2388065
36204	6.5MR16DIM/927NF25	2387976	36213	6PAR16DIM/830FL35/RC	2388067
36205	6.5MR16DIM/930NF25	2387978	57984	6MR16DIM/827FL35/R	2334431
36206	6.5MR16DIM/940NF25	2387980	57985	6MR16DIM/830FL35/R	2334430
36207	6.5MR16DIM/927FL35	2387977	57986	6MR16DIM/840FL35/R	2334429
36208	6.5MR16DIM/930FL35	2387979	57991	6PAR16DIM/830FL35/R	2334661

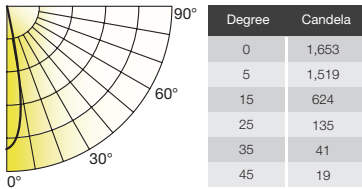
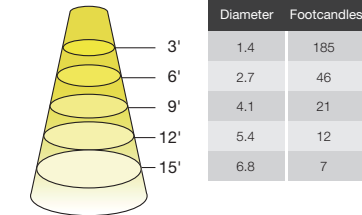
www.greencreative.com - info@greencreative.com - Tel / Fax: (866) 774-5433 - [f](#) / GREENCREATIVELED [t](#) / GClightingLED [in](#) / GREEN-CREATIVE

An ILLUMUS Brand

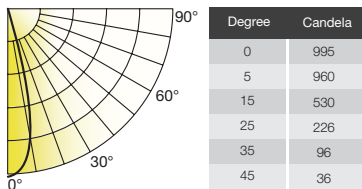
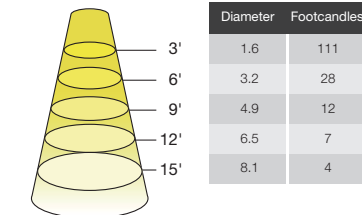
VALUE SELECT MR FAMILY

ILLUMINANCE & CANDELA DISTRIBUTION

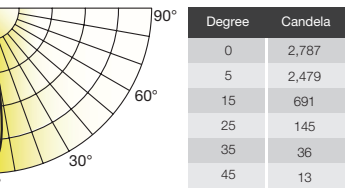
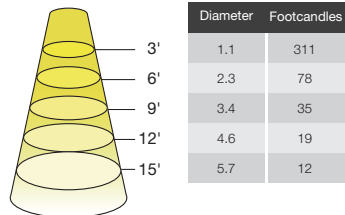
6.5MR16DIM/827NF25/35W



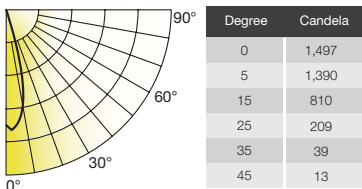
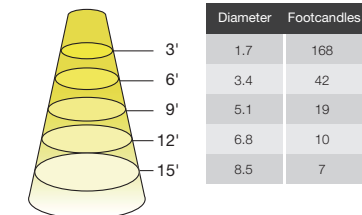
6.5MR16DIM/827FL35/35W



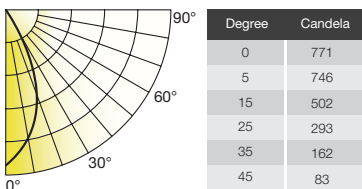
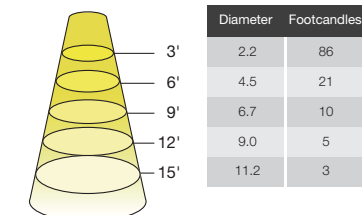
6.5MR16DIM/927NF25



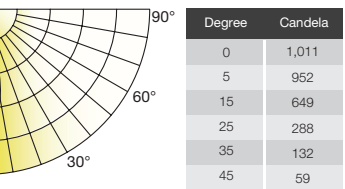
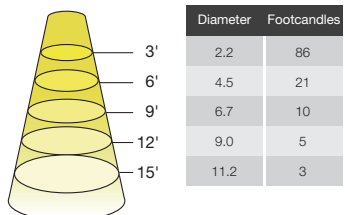
6.5MR16DIM/927FL35



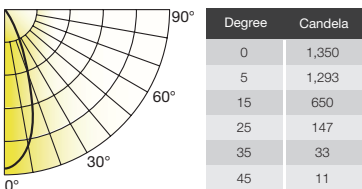
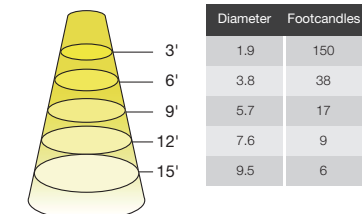
6GU10DIM/827FL40



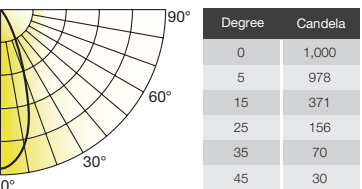
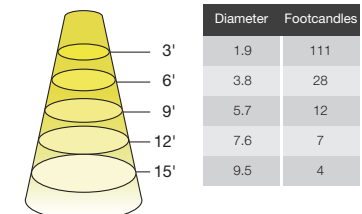
6PAR16DIM/827FL35/RC



6MR16DIM/827FL35/R



6PAR16DIM/827/FL35/R



For other CCT use the following multiplier: 3000K 1.02, 4000K 1.04.

Note: All rights reserved. All sizes and specifications are subject to change at any time without notice.

www.greencreative.com - info@greencreative.com - Tel / Fax: (866) 774-5433 - f / GREENCREATIVELED / GClightingLED / GREEN-CREATIVE

An ILLUMUS Brand

BOWMAN 4 WALL SCONCE



The classic silhouette of this sleek LED wall sconce makes it suitable for both indoor and outdoor applications. The Bowman's die-cast aluminum body houses a powerful, long-lasting LED light source tightly controlled for down light only, yet supplying significant illumination for even the darkest nights. Available in two sizes and five finishes.

Outstanding protection against the elements:

- Powder coat finishes
- Stainless Steel mounting hardware
- Impact-resistant, UV stabilized frosted acrylic lensing

SPECIFICATIONS

DELIVERED LUMENS	696.6
WATTS	17.8
VOLTAGE	120V, 277V
DIMMING	ELV
LIGHT DISTRIBUTION	Symmetric
MOUNTING OPTIONS	Downlight
CCT	2700K**, 3000K
CRI	90+
COLOR BINNING	3 Step
BUG RATING	B1-U0-G0
DARK SKY	Compliant
WET LISTED	IP65
GENERAL LISTINGS	ETL
CALIFORNIA TITLE 24	Can be used to comply with CEC 2019 Title 24 Part 6 for outdoor use. Registration with CEC Appliance Database not required.
START TEMP	-30°C
FIELD SERVICEABLE LED	No
CONSTRUCTION	Aluminum
HARDWARE	Stainless Steel
FINISH	Powder Coat
LED LIFETIME	L70; >60,000 Hours
WARRANTY*	5 Years
WEIGHT	1.7 lbs.

* Visit techlighting.com for specific warranty limitations and details.
 ** Available in Black and Bronze finish only.



BOWMAN 4
Shown in Black



BOWMAN 4
Shown in Bronze



BOWMAN 4
Shown in Charcoal



BOWMAN 4
Shown in Silver



BOWMAN 4
Shown in White

ORDERING INFORMATION

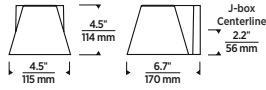
PRODUCT	LENGTH	FINISH	LAMP
700WSBOW	4 4"	B BLACK	-LED827 LED 90 CRI, 2700K 120V*
		Z BRONZE	-LED827-277 LED 90 CRI, 2700K 277V*
		H CHARCOAL	-LED830 LED 90 CRI, 3000K 120V
		I SILVER	-LED830-277 LED 90 CRI, 3000K 277V
		W WHITE	

*AVAILABLE IN BLACK AND BRONZE FINISH ONLY

techlighting.com

UPDATED 5/24/22

BOWMAN 4 WALL SCONCE

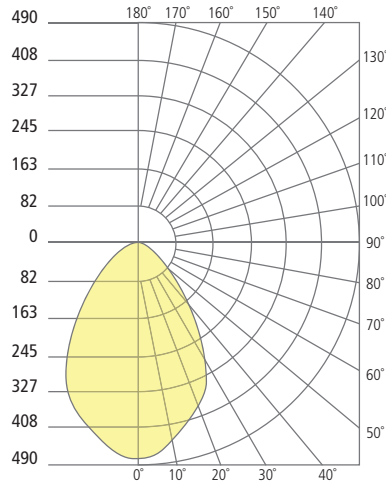


Bowman 4

PHOTOMETRICS*

*For latest photometrics, please visit www.techlighting.com/OUTDOOR

BOWMAN 4
 Total Lumen Output: 696.7
 Total Power: 17.2
 Luminaire Efficacy: 39.1
 Color Temp: 3000K
 CRI: 90+
 BUG Rating: B1-U0-G0



PROJECT INFO

FIXTURE TYPE & QUANTITY	JOB NAME & INFO	NOTES



VISUAL COMFORT & CO.

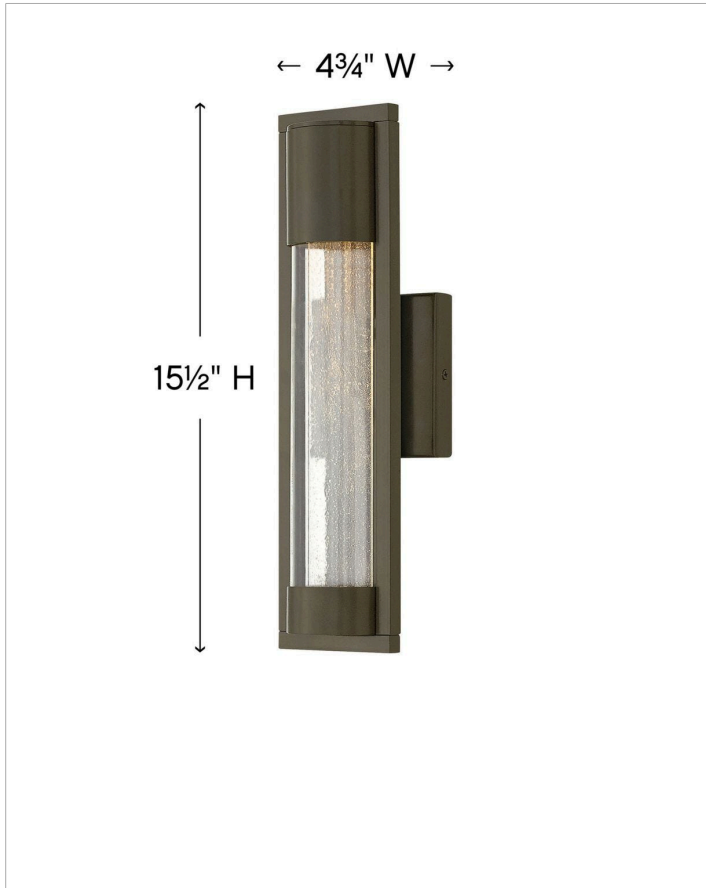
7400 Linder Avenue, Skokie, Illinois 60077

T 847.410.4400



© 2022 Tech Lighting, L.L.C. All rights reserved. The "Tech Lighting" graphic is a registered trademark. Tech Lighting reserves the right to change specifications for product improvements without notification.

techlighting.com



MIST

1220BZ

SMALL WALL MOUNT LANTERN

The sleek design of the Mist collection discreetly emphasizes its contemporary heritage. Featuring a prominent interior panel of clear seedy glass captured on both ends and encased in a protective clear acrylic cylinder. Its solid aluminum construction is underscored by bold Satin Black, Bronze or Titanium finish options. Mist is both Dark Sky and ADA compliant.

DETAILS	
FINISH:	Bronze
MATERIAL:	Aluminum
GLASS:	Clear Acrylic Outside Cylinder & Seedy Glass Inside Panel

DIMENSIONS	
WIDTH:	4.8"
HEIGHT:	15.5"
WEIGHT:	3.5lb
BACK PLATE:	4.75" Sq.
EXTENSION:	4"
TOP TO OUTLET:	7.75"

LIGHT SOURCE	
LIGHT SOURCE:	LED Lamp
WATTAGE:	1-7w GU10 LED, 50w Equiv.
VOLTAGE:	120v

SHIPPING	
CARTON LENGTH:	8
CARTON WIDTH:	8
CARTON HEIGHT:	19
CARTON WEIGHT:	4.5

PRODUCT DETAILS:

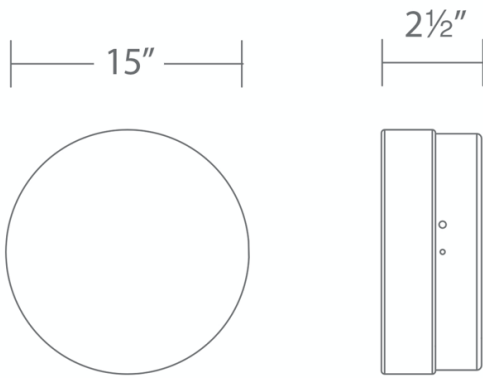
- Mounting hardware is hidden on the backplate to ensure a clean silhouette
- Suitable for use in wet (outdoor direct rain or sprinkler) locations as defined by NEC and CEC. Meets United States UL Underwriters Laboratories & CSA Canadian Standards Association Product Safety Standards
- Fixture is Dark Sky compliant and engineered to minimize light glare upward into the night sky
- Fixture is ADA compliant and adheres to the standards and guidelines listed by the Americans with Disabilities Act
- 2 year finish warranty
- For LED lamping, a 6.5w GU10 LED bulb is recommended: GU10LED-3K
- Bold lines and a clean, minimalist style complement contemporary architecture
- Warm rich light bronze tone

HINKLEY

HINKLEY
33000 Pin Oak Parkway
Avon Lake, OH 44012

PHONE: (440) 653-5500
Toll Free: 1 (800) 446-5539

hinkley.com



FM-W44815

Project: _____
 Location: _____
 Fixture Type: _____
 Catalog Number: _____

AVAILABLE FINISHES:



Pi

FM-W44815

PRODUCT DESCRIPTION

This brand-new design in durable stainless steel handles the outdoor elements with ease, while the sleek polished hardware also gives interiors a welcome touch of industrial refinement. A user-friendly twist lock mechanism makes installation a snap. As for illumination, the finely crafted diffuser enhances the brightness for a beautiful mix of task and ambient light.

FEATURES

- ACLED driverless technology
- Weather-resistant 316 stainless steel body
- Lightweight injection-molded acrylic diffuser enhances brightness
- Easy twist-lock installation prevents slippage with no visible hardware
- Built in color temperature adjustability. Switch from 2700K/3000K/3500K
- 3CCT switch installs within the junction box
- 277V option available for 9", 12" and 15" only (special order), not available for 6"
- 277V option available for special order.

SPECIFICATIONS

Rated Life	54000 Hours
Standards	ETL, cETL, Wet Location Listed, IP65, Title 24 JA8: 2019 Compliant, Energy Star 2.0
Input	120 VAC, 50/60Hz
Dimming	ELV: 100-10%, TRIAC: 100-10%
Mounting	Can be mounted on ceiling or wall in all orientations
Color Temp	3000K, 3500K, 2700K
CRI	90
Construction	Weather-resistant 316 stainless steel body with acrylic shade

REPLACEMENT PARTS

Model & Size	Color Temp	Finish	LED Watts	LED Lumens	Delivered Lumens
○ FM-W44815 15"	○ 2700K	○ BK Black	31.3W	2400	1773
	○ 2700K	○ SS Stainless Steel	31.3W	2400	1773
	○ 3000K	○ BK Black	31.3W	2400	1773
	○ 3000K	○ SS Stainless Steel	31.3W	2400	1773
	○ 3500K	○ BK Black	31.3W	2934	1838
	○ 3500K	○ SS Stainless Steel	31.3W	2934	1838

Example: **FM-W44815-35-SS**

*For 277V special order, add an "F" before the finish: FM-W44815F-35-SS

For custom requests please contact customs@modernforms.com

ModernForms.com | Phone: (866) 810-6615 | Fax (800) 526-2585
 Central Distribution Center: 1600 Distribution Ct, Lithia Springs, GA 30122
 Western Distribution Center: 1750 Archibald Avenue, Ontario, CA 91760

MODERN FORMS



ALD8ST

Direct - Suspended - Surface - Wall

ALD8ST combines clean lines with high performance direct asymmetric distribution, for a functional and aesthetically pleasing slim profile.

Replacement of ACCOLADE - D8

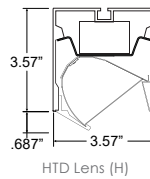
- Unique patterns with fully lit corners and intersections possible with Design Assist.
- Individual units and continuous runs in exact lengths.
- Adjustable mounting options for ease of installation
- Custom color options.
- Quickship nominal options.
- ADA compliant mounting options.

PERFORMANCE

OUTPUT	NOMINAL		
	LUMEN OUTPUT	INPUT WATTS	EFFICACY
LH (High)	575 lm/ft	9.6 W/ft	59.9 lm/W
LS (Standard)	288 lm/ft	5 W/ft	57.6 lm/W

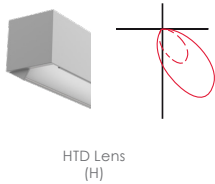
Based on static white 35K HTD Lens fixtures. For the complete photometric data of this fixture refer to page 4.

DIMENSIONS



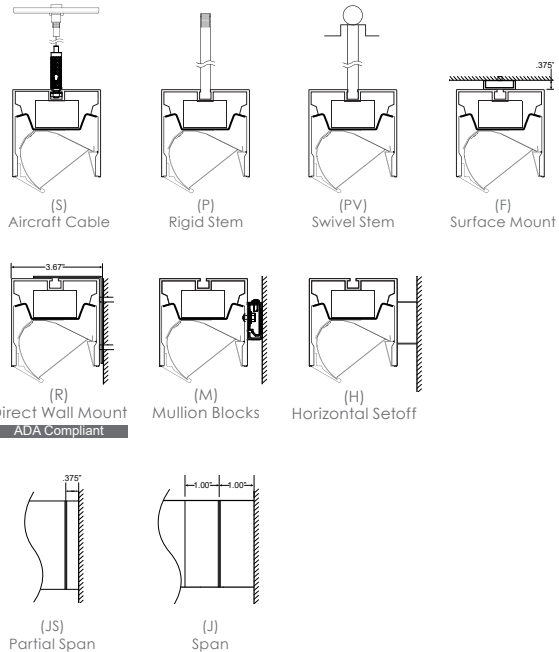
HTD Lens (H)

LENS OPTIONS



HTD Lens (H)

MOUNTING OPTIONS



a·light

ALD8ST | SPECIFICATION GUIDE

PERFORMANCE AT 3500K

OUTPUT	NOMINAL		
	LUMEN OUTPUT	INPUT WATTS	EFFICACY
LH <small>(High)</small>	575 lm/ft	9.6 W/ft	60 lm/W
LS <small>(Standard)</small>	288 lm/ft	5 W/ft	58 lm/W

Custom tuned output available from 25% to 125% of high output. Please consult factory for custom lumen output and wattage.

PROJECT INFORMATION

Project Info	Date
Type	Quantity



Need help? Don't see what you need?

Please reach out to our factory for any specific request or questions you have. Our talented Design Assist team at: designassist@alights.com

ALD8ST	H
---------------	----------

ALD8ST	LENGTH	OUTPUT	LED CCT	LED CRI	VOLTAGE	H
ALD8ST	_ Nominal Length* M_ Exact Length**	LS Standard Output LH High Output C_ Custom Output*	27 2700K 30 3000K 35 3500K 40 4000K TW Tunable White (27K to 50K)* DW Dim-to-warm**	_ CRI 80+ CRI 3 CRI 90+ CRI	U 120V - 277V 3 347V	H HTD Lens**

*Specify in feet to the nearest foot (i.e. 12)
**Specify in inches to then nearest 1/8 (i.e. M180.125)

*Available from 25% to 125% of LED High Output

* Contact Design assist for custom CCT range.
** Standard CCT range is 27-50K. Contact design assist for custom range

* Not offered with (TW) Tunable white or (DW) Dim-to-warm.

**For wall mountings beam direction points away of wall. Contact Design assist for different beam optic direction.

MOUNTING	FINISH	DIMMING	EMERGENCY
S Aircraft Cable* P_ Rigid Stem** PV_ Swivel Stem** R Direct Wall Mount M_ Mullion Blocks*** H_ Horizontal Setoff Bracket*** JS Partial Span J Full Span F Surface Mount****	T Titanium W White B Black O_ Other*	D Standard 0-10V* D1 HiLume Ecosystems 1% (LDE1) D2 Phase dimming** D4 DALI dim-to-off NAIR nLight @AIR (dim-to-off) NWIR nLight @Wired (dim-to-off) DO Other Dimming***	EC Emergency - circuited* E_ Emergency - battery**

*Standard 48" field adjustable cable, specify length to nearest inch if over 48". Black power cord provided for black and titanium finish and white power cord provided for all other fixture finishes, unless otherwise specified.
**Indicate stem length to nearest inch, 6.00" minimum. Standard stem length 36.00".
***Enter "1" for 1" depth. Enter "S" for 1/2" depth.
****Available for ceiling and wall surface mounting.

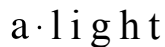
*Specify RAL#

*1% Dimming standard unless otherwise specified.
**Reference ERP-PHB driver for compatible dimmers.
***Specify if other dimming driver is needed. Contact Design Assist.

*Not available on fixtures < 4' length. Smallest EM circuit is 2ft. If entire fixture is on EM circuit, no need to call out EC in part number.
**Factory-installed emergency battery pack. Specify desired quantity of batteries. Not available on fixtures <4' length. Not available for 347V. See technical data for more information.

OPTIONS	
M	Multi-Circuit*
R	Right Endcap Feed
L	Left Endcap Feed

*Submit multi-circuiting requirements



3728 MARITIME WAY | OCEANSIDE, CA 92056 | 760.727.7675
ALIGHTS.COM | REV.2.1 01-2023



ALD8ST | PHOTOMETRY

LIGHT DISTRIBUTION

DISTRIBUTION

Direct Asymmetric

OUTPUT

LH: High output - 10 W/ft
 LS: Standard output - 5 W/ft
 C: Custom tuned output - Contact Design Assist

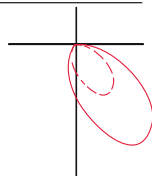
PHOTOMETRIC DATA

DIRECT ASYMMETRIC

LH - 4 FT - 3500K - HTD LENS

Lumens: 575 lm/ft
 Input watts: 9.6 W/ft
 Efficacy: 60 lm/W

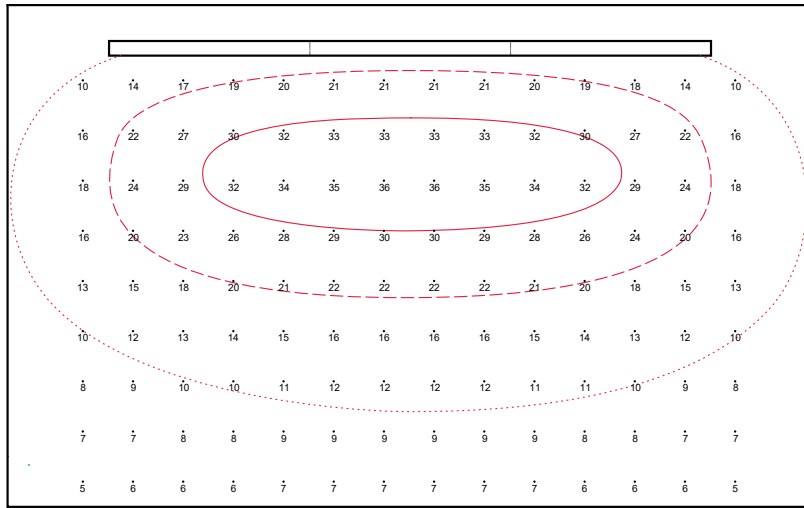
LH: ———
 LS: - - - - -



SAMPLE INSTALLATION - ACCENT WALL

LH DOWN - 4000K

Wall height: 10' ft
 Reflectance: 80% / 50% / 20%
 Mounting height: 9 ft A.F.F.
 Distance from wall: 3 ft
 Fixture length: 12 ft
 Calculation grid: 1 ft x 1 ft
 Calculation plane (Vertical): On wall
 Average Illuminance (Ev): 17 fc
 Uniformity: 7.2:1 (max/min)



FRONT VIEW
 30 fc: ———
 20 fc: - - - - -
 10 fc: - · - · -

a·light

PHOTOMETRY · ALIGHTS.COM 3

ALD8ST | PHOTOMETRY

LIGHT LOSS FACTORS (LLF)

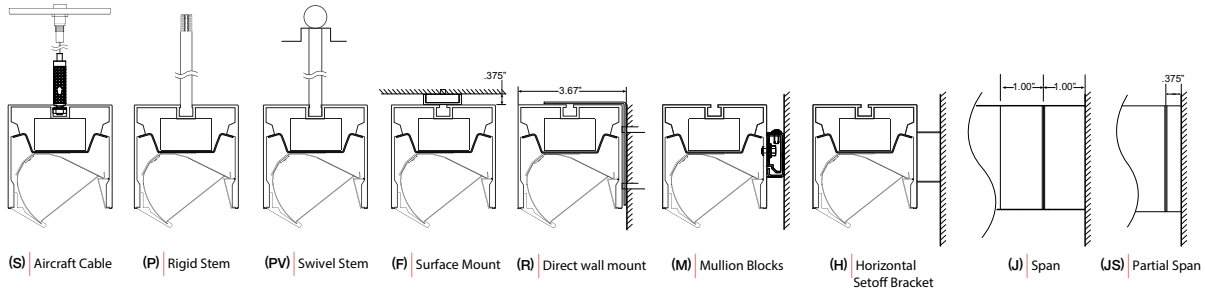
OUTPUT	CCT	DIRECT			
		%	CRI 80 +	%	CRI 90 +
LH <small>(high)</small>	4000k	100%	587 lm/ft	88.3%	518 lm/ft
	3500k	97.9%	575 lm/ft	85.4%	501 lm/ft
	3000k	94.2%	553 lm/ft	80.7%	474 lm/ft
	2700k	90.6%	532 lm/ft	76.5%	449 lm/ft
LS <small>(standard)</small>	4000k	100%	294.5 lm/ft	88.3%	260 lm/ft
	3500k	97.9%	288 lm/ft	85.4%	252 lm/ft
	3000k	94.2%	277 lm/ft	80.7%	238 lm/ft
	2700k	90.6%	267 lm/ft	76.5%	225 lm/ft

For standard output (LS) -50%.

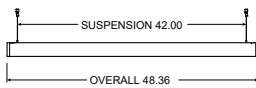
a·light

PHOTOMETRY · ALIGHTS.COM 4

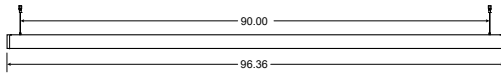
ALD8ST | MOUNTING



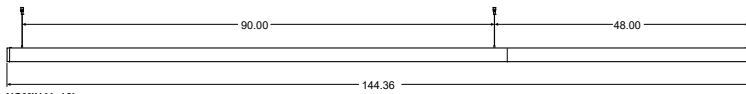
MOUNTING LENGTHS



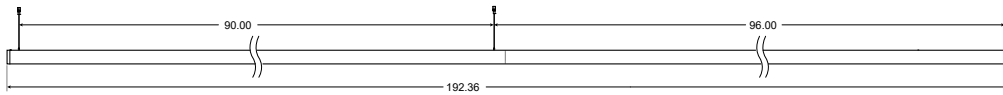
NOMINAL 4'



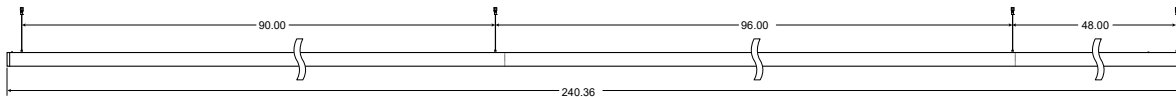
NOMINAL 8'



NOMINAL 12'



NOMINAL 16'



NOMINAL 20'

Maximum dimensions shown for suspension points, all aircraft cable mounting lengths are adjustable on site.
 *For nLight AIR applications: gripper needs to be at least 3.5" from the antenna. Refer to nLight dimensions section for more details.

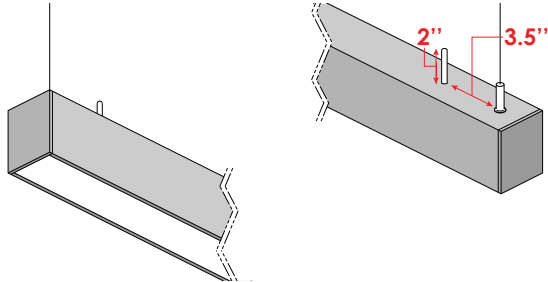
a·light

MOUNTING · ALIGHTS.COM 5

ALD8ST | DIMENSION

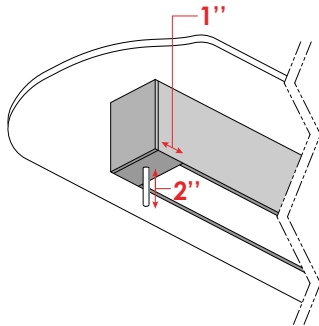
nLIGHT® DIMENSIONS

AIR : r10



*Fixture mounted sensors and filler panel for nLight AIR only.

AIR : r10 Surface



*Fixture mounted sensors and filler panel for nLight AIR only.

a·light

DIMENSION · ALIGHTS.COM 6

LINEAR DIMENSIONS

Nominal or exact lengths to the nearest 1/8th of an inch available as individual fixtures or joined to create continuous row lengths, minimum fixture lengths is 12 inches. Patterns comprised of 90 degree precisely welded fully illuminated corners provide a multitude of geometric options and architectural transitions.

Custom - Contact [Design Assist](#) for modifications to product not detailed within Elements or Integrations specification sheets.

OPTICS

HTD™ lens is a high performance polycarbonate opal lens. An optimized surface texture plus advanced diffusing additives produce an impressive 93% transmission while eliminating LED hotspots.

LED LIGHT SOURCE

Custom manufactured linear board array uses high performance Nichia® LED in combination with a performance driven heat sink technology. Tested in accordance with LM79 and LM-80; L70>60,000hr; operated at reduced output for high efficacy and lumen maintenance. 2700K, 3000K, 3500K, and 4000K with 80+ CRI standard; other color temperatures and 90+ CRI available upon request, contact factory. LED color variation maintained at a 3-step MacAdam ellipse (SDCM 3x). LEDs are available in Low, Standard, and High outputs. Refer to photometry for delivered lumens. Custom output in the range of 25% to 125% of high output, contact factory.

LED DIMMING DRIVER

Factory tuned constant current electronic 0-10V control dimming driver is standard. Specification grade dimming down to 1%. Driver life of 50,000 hrs with ambient operating temperature range of -20°C to 50°C, maximum case temperature of 80°C. Electrical specifications at maximum driver load: PF >0.9, THD <20%, >85% Efficiency. Other available drivers include Lutron Eco-system H-series (LDE1): Hi-lume™ 1% LED dimming driver with Soft On, Fade to Black; and DALI protocol drivers. Other Lutron and specialty drivers available, contact factory.

EMERGENCY

This luminaire is provided with a factory installed LED emergency lighting battery pack for both normal and emergency operation, 120-277v only. This fixture integrated unit contains long-life Ni- Cad recyclable battery, 24 hour charger, and converter circuit. Test switch and charge indicator provided. Test button to be remote located within 3 feet of the luminaire, by others in accordance with local code. Emergency mode provides constant power to a nominal 12W LED load for a period of 90 minutes, delivering 1200 lumens of unwavering illumination throughout the full 90 minute emergency duration. Unless otherwise specified, the emergency battery pack will illuminate one 2 foot end in the direct portion of the fixture.

Emergency circuiting provided as a separate circuit from normal power circuit according to NEC requirements, specify circuit length and location.

CONTROLS

The integrated API smart sensor is part of each luminaire in the nLight® AIR network, which can be grouped to control multiple luminaires. The rIO and nIO models are available for integration.

nLight enabled, remote mounted controls provided by others. Please contact an Acuity controls representative for more information.

MOUNTING

Suspension with aircraft cables or pendant stems, and full or partial span mounting available.

Aircraft cable set includes 48" standard length 1/16" stainless steel adjustable aircraft cables with secure micro grippers to field set suspension length, comes factory installed in fixture. 4-1/2" x 4-1/2" square white canopies. Cord strain also included. Power cord options available for aircraft cable. Black power cord provided for black and titanium finish, white power cord provided for all other fixture finishes unless otherwise specified.

Rigid pendant stem set includes 1/4" hollow white threaded rod for suspension and power feed, standard specification length, 6" minimum. 5" square mono point white canopies.

Swivel stem set includes 1/4" hollow white threaded rod for suspension and power feed, standard specification length, 6" minimum. 5" square mono point white 45 degree angle swivel stem.

Specify if other suspension length is required. Canopies provided as required for quantity of power feed and non power feed locations (crossbar included). Specify if other shape, size, or color is required.

Direct wall mounting is ADA compliant. Factory pre-drilled holes can be tapped for 1/2" chase nipple, submit dimension requirements when ordering. The top groove of the fixture is used to mount the fixture and provides a firm and flexible mounting option. Factory pre-drilled hole for power feed can be drilled, submit dimension requirements when ordering.

Surface ceiling and wall mounting is offered with die-cast mounting blocks with sheet metal brackets used to provide a firm flexible mounting option in any orientation the system might be installed in. Submit whip length if required.

Mullion blocks are used to mount fixture to a horizontal or vertical window mullion and can also be used to offset fixture from wall. 1/2" or 1" deep milled aluminum blocks are available standard, 3/8" and 2" deep blocks also available upon request. (2) blocks provided for fixtures 8ft or less, fixtures larger than 8ft provided with (3) blocks every 12ft. Quantity of power feed and non power feed blocks provided as required. Fixture mounting requires field drilled mounting and power feed holes. Factory pre-drilled holes can be drilled and tapped for 1/2" chase nipple, submit dimension requirements when ordering.

Horizontal Set-off brackets are used to offset fixture from a wall by 1" or 1/2".

a · light

TECHNICAL DATA · ALIGHTS.COM 7

ALD8ST | TECHNICAL DATA

Wall side bracket attaches to horizontal single gang box on wall. Outside horizontal box is factory-installed to fixture side. Fixture side box hinges over wall bracket and two brackets are fastened together with set screw to secure fixture to wall. (2) brackets per fixture up to 12', on center spacing varies depending on overall fixture length.

Partial /Full span mounting conditions utilize special expansion joint end caps to mount fixture to wall (blocking required) and feed power through the end cap, specify end feed location. Additional attachment hardware provided as required depending on partial span condition. Provide architectural details at time of ordering for inclusion in factory shop drawings; field verified dimensions required for full span mounting.

STRUCTURE

Robust, high quality 60% recycled aluminum extruded housing. 0.040" thick aluminum internal gear trays. Flat or flanged aluminum end caps. Aluminum joiner brackets. 4 lbs/ft approximate fixture weight.

FINISH

Electrostatically applied powder coat finish. Standard finish options include titanium, white, and black. Other colors and custom finish options available, specify RAL# or contact factory regarding custom finish requirement.

LISTING

UL/CUL rated for Damp Locations. Tested in accordance with UL 1598 and certified to CEC/CSA C22.1, NEC, ANSI/NFPA 70, and NOM-001-SEDE.

The ALD8ST is assembled in the U.S.A. and comply with the Buy America(n) Act (BAA) government procurement requirements under FAR, DFARS, and DOT.

WARRANTY

Please refer to the full terms and conditions on our website:
<https://www.alights.com/downloads/warranty/>

a·light

TECHNICAL DATA · ALIGHTS.COM 8

UTA-20011

Tango 36 Single Head Post Top



38w LED
2777 Lumens

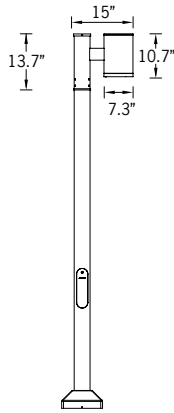
IP65
Suitable for wet locations

IK08
Impact Resistant [Vandal Resistant]

EPA - 0.60

Weight - 42.5 lbs

POLE NOT INCLUDED



Construction

Aluminum.
Less than 0.1% copper content - Marine Grade 6060 extruded & LM6 Aluminum High Pressure die casting provides excellent mechanical strength, clean detailed product lines and excellent heat dissipation.

Pre paint
8 step degrease and phosphate process that includes deoxidizing and etching as well as a zinc and nickel phosphate process before product painting.

Memory Retentive -Silicon Gasket
Provided with special injection molded "fit for purpose" long life high temperature memory retentive silicon gaskets. Maintains the gaskets exact profile and seal over years of use and compression.

Thermal management
LM6 Aluminum is used for its excellent mechanical strength and thermal dissipation properties in low and high ambient temperatures. The superior thermal heat sink design by Ligman used in conjunction with the driver, controls thermals below critical temperature range to ensure maximum luminous flux output, as well as providing long LED service life and ensuring less than 10% lumen depreciation at 50,000 hours.

Surge Suppression
Standard 10kv surge suppressor provided with all fixtures.

BUG Rating
B1 - U0 - G1

Finishing.
All Ligman products go through an extensive finishing process that includes fettling to improve paint adherence.

Paint
UV Stabilized 4.9Mil thick powder coat paint and baked at 200 Deg C. This process ensures that Ligman products can withstand harsh environments. Rated for use in natatoriums.

Hardware
Provided Hardware is Marine grade 316 Stainless steel.

Anti-Seize Screw Holes
Tapped holes are infused with a special anti seize compound designed to prevent seizure of threaded connections, due to electrolysis from heat, corrosive atmospheres and moisture.

Crystal Clear Low Iron Glass Lens
Provided with tempered, impact resistant crystal clear low iron glass ensuring no green glass tinge.

Optics & LED
Precise optic design provides exceptional light control and precise distribution of light. LED CRI > 80

Lumen - Maintenance Life
L80 /B10 at 50,000 hours (This means that at least 90% of the LED still achieve 80% of their original flux)

Circular form technical post top range. Flexible post top lighting solutions for perfect symmetrical or asymmetrical task lighting.

Tango post top luminaire was developed to complement the Tango and Jet range of wall mount luminaires as well as the Jet square bollards, using energy saving LED modules. This cylindrical profiled luminaire mounted on a round aluminum pole, is available narrow, medium and wide beams and complies with IDA Dark Sky requirements. Designed for residential and shopping areas, squares and parks.

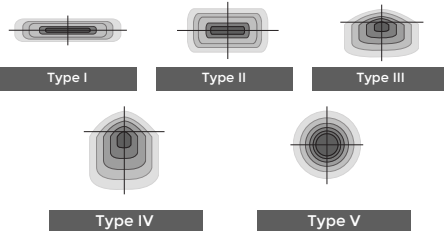
Color temperature 2700K, 3000K, 3500K and 4000K, LED CRI >80 and life time 50,000 Hours. High pressure die-cast marine grade LM6 aluminum body that is pre-treated with a nickel and zinc phosphate and then powder coated with a 4.9mil thick paint finish ensuring high corrosion resistance.

Marine grade 316 stainless steel fasteners. Durable memory retentive silicone rubber gasket and clear tempered glass lens. This luminaire is provided prewired with power cord to the handhole to simplify installation.

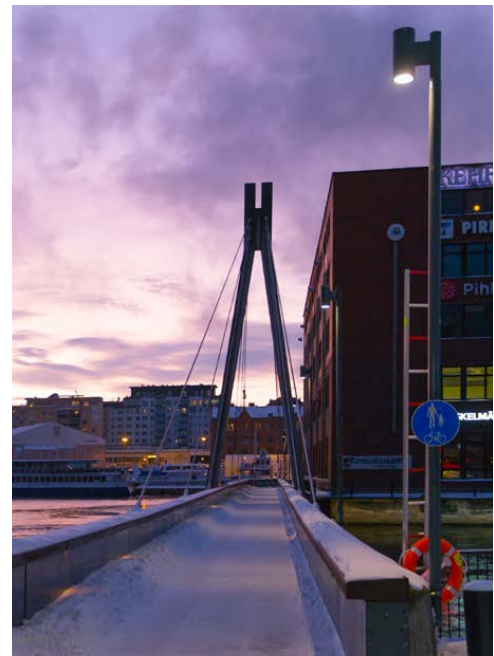
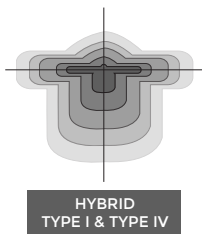
To meet International Dark Sky criteria, 3000k or warmer LEDs must be selected.



Ligman's micro Variable Optical System provides the ability to interchange, mix & rotate optics to provide specific light distributions for optimized spacing and uniformity.



The variable optic system allows for the designer to create hybrid distributions for precise lighting requirements.



Ligman Lighting USA reserves the right to change specifications without prior notice, please contact factory for latest information. Due to the continual improvements in LED technology data and components may change without notice.

UTA-20011

Tango 36 Single Head Post Top



PROJECT	<input type="text"/>	DATE	<input type="text"/>
QUANTITY	<input type="text"/>	TYPE	<input type="text"/>
NOTE	<input type="text"/>		

ORDERING EXAMPLE || UTA - 20011 - 38w - T2 - W30 - 02 - 120/277v - Options

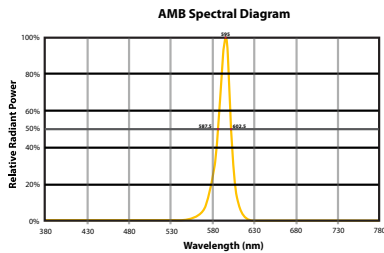
UTA-20011	<input type="text"/>	<input type="text"/>	<input type="text"/>	<input type="text"/>	<input type="text"/>
	LAMP	BEAM	LED COLOR	FINISH COLOR	VOLTAGE
	38w LED 2777 Lumens	T1 - Type I Distribution T2 - Type II Distribution T3 - Type III Distribution T4 - Type IV Distribution	W27 - 2700K W30 - 3000K W35 - 3500K W40 - 4000K	01 - BLACK RAL 9011 02 - DARK GREY RAL 7043 03 - WHITE RAL 9003 04 - METALLIC SILVER RAL 9006 05 - MATTE SILVER RAL 9006 06 - LIGMAN BRONZE 07 - CUSTOM RAL	120/277v Other - Specify

<input type="text"/>	<input type="text"/>	<input type="text"/>
----------------------	----------------------	----------------------

ADDITIONAL OPTIONS

- DIM - 0-10v Dimming
- NAT - Natatorium Rated
- AMB - Turtle Friendly Amber LED

CITY OF FLAGSTAFF & TURTLE FRIENDLY COMPLIANT



Narrow-Spectrum Amber LEDs

Peak wavelength between 585 & 595 nanometers and a full width of 50% power no greater than 15 nanometers.

Ligman Lighting USA reserves the right to change specifications without prior notice, please contact factory for latest information. Due to the continual improvements in LED technology data and components may change without notice.



Tango Product Family



Tango 29

- UTA-31861-37w-2777lm - Down
- UTA-31861-29w-2566lm [ASYM] - Down
- UTA-31863-42w-3418lm [ASYM] - Down



Tango 30

- UTA-31871-37w-2777lm - Down
- UTA-31871-29w-2566lm [ASYM] - Down
- UTA-31873-42w-3418lm [ASYM] - Down



Tango 31

- UTA-31881-2x37w-2x2777lm - Up/Down
- UTA-31882-2x29w-2x3521lm [ASYM] - Up/Down
- UTA-31883-2x42w-2x3418lm [ASYM] - Up/Down



Tango 32

- UTA-31891-2x37w-2x3521lm - Up/Down
- UTA-31892-2x39w-2x2566lm [ASYM] - Up/Down
- UTA-31893-2x29w-2x2777lm [ASYM] - Up/Down



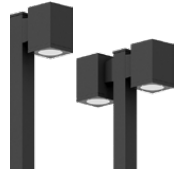
Tango 33

- UTA-80551-37w-2777lm
- UTA-80552-29w-2566lm [ASYM]
- UTA-80553-42w-3418lm [ASYM]



Tango 34

- UTA-80561-37w-2777lm
- UTA-80562-29w-2566lm [ASYM]
- UTA-80563-42w-3418lm [ASYM]



Tango 35

- UTA-20731-37w-2777lm
- UTA-20732-2x37w-2x2777lm



Tango 36

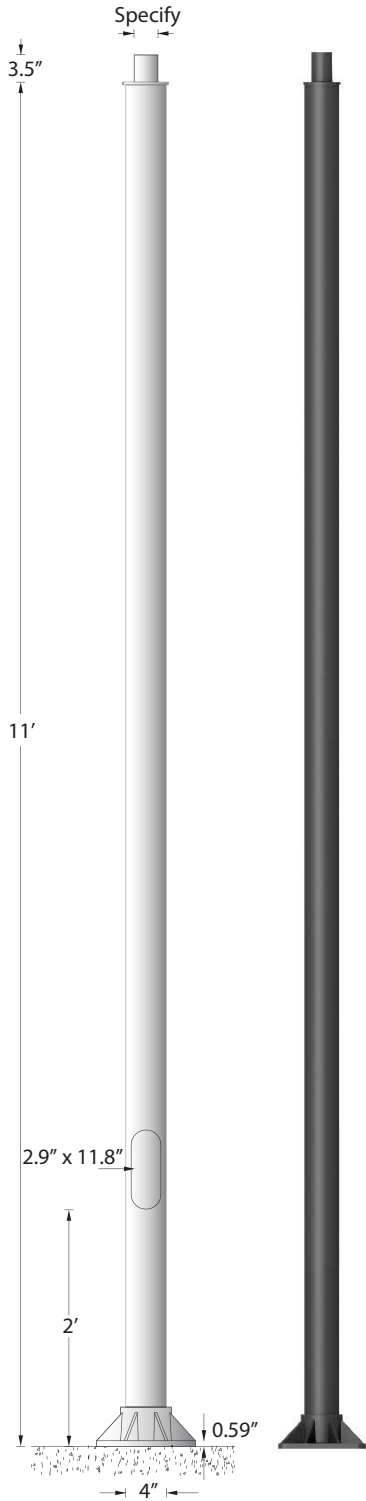
- UTA-20001-38w-4265lm
- UTA-20011-37w-2777lm



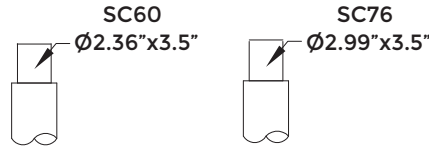
Tango 37

- UTA-20021-2x38w-2x4265lm
- UTA-20022-2x37w-2x2777lm

APD-RSA-4018-11'-4.0" DIA .188" Round Straight Aluminum Pole



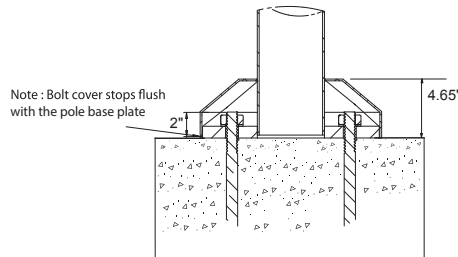
Tenon Post Top



Physical Data

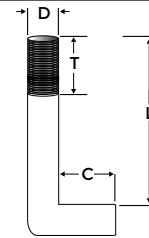
Pole Height: 11'
Pole Diameter: 4"
Thickness: 0.188"
Weight: 29.3 lbs

Pole Mount Install Notes

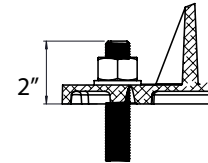


Anchor Bolt

D x L x C x T
3/4 x 18 x 4 x 6



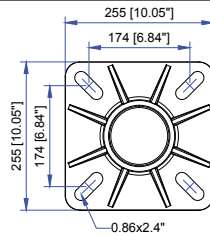
Bolt Projection



A level concrete base is poured and finished flush. This provides a uniform load displacement pad for the forces created by wind and luminaire weight

Failing to do this voids pole warranty
Foundation and Design by Others

Mounting Base



Die-Cast Base Cover



Not to scale template:

This drawing is being furnished for reference dimensions only and cannot be used as a template to set anchor bolts. Since it is "not to scale" Ligman accepts no responsibility for its intended use. Refer to site plans and specification before installing any anchor bolts.

• Contact Ligman Lighting USA for bolt template prior to pouring anchor bolts.

Maximum EPA

MPH	90	100	110	120	130
EPA	7.8	6.0	5.5	4.3	3.4

Wind Load Map



Ligman Lighting USA reserves the right to change specifications without prior notice. please contact factory for latest information. Due to the continual improvements in LED technology data and components may change without notice.

APD-RSA-4018-11'-4.0" DIA .188"

Round Straight Aluminum Pole



PROJECT		DATE	
----------------	--	-------------	--

QUANTITY		TYPE		NOTE	
-----------------	--	-------------	--	-------------	--

ORDERING EXAMPLE || APD-RSA-4018-11'-4.0" DIA .188"-SC60-02-Options

--	--	--	--	--	--

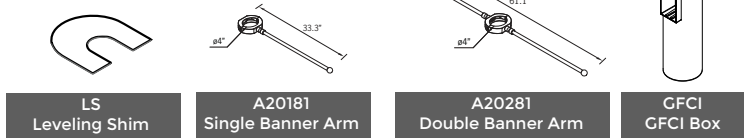
TENON	FINISH COLOR	ADDITIONAL OPTIONS - CONSULT FACTORY FOR PRICING
-------	--------------	--

- SC60 - 2.36" x 3.5" Tenon
SC76 - 2.99" x 3.5" Tenon
- 01 - BLACK RAL 9011
 - 02 - DARK GREY RAL 7043
 - 03 - WHITE RAL 9003
 - 04 - METALLIC SILVER RAL 9006
 - 05 - MATTE SILVER RAL 9006
 - 06 - BRONZE RAL 6014
 - 07 - CUSTOM RAL

- INSPIRED BY NATURE FINISHES**
- SW01 - OAK FINISH
 - SW02 - WALNUT FINISH
 - SW03 - PINE FINISH
 - DF - DOUGLAS FIR FINISH
 - CW - CHERRY WOOD FINISH
 - NW - NATIONAL WALNUT FINISH
 - SU01 - CONCRETE FINISH
 - SU02 - SOFTSCAPE FINISH
 - SU03 - STONE FINISH
 - SU04 - CORTEN FINISH

THERE IS AN ADDITIONAL COST FOR THESE FINISHES

- A20181 - Single Banner Arm
- A20281 - Double Banner Arm
- GFCI - GFCI Box
- 1LS - 1.5mm [1/16"] Leveling Shim [Enter Quantity]
- 3LS - 3mm [1/8"] Leveling Shim [Enter Quantity]



Banner arms are designed with a safety break-away at the clamp with an internal safety wire that prevents the arm from falling to the ground. It is important to calculate the additional EPA loading on the pole based on the size and quantity of banners.

Adding banners will affect the EPA of the pole and should be taken into consideration before installing.

Incorrect pole loading of any type voids pole warranty.

Inspired by Nature Finishes

The Inspired by nature Finishing is a unique system of decorative powder coating. Our metal decoration process can easily transform the appearance of metal or aluminum product into a wood grain finish.

This patented technology enables the simulation of wood grain, and even marble or granite finish through the use of decorative powder coating.

The wood grain finish is so realistic that it's almost undistinguishable from real wood, even from a close visual inspection. The system of coating permeates the entire thickness of the coat and as a result, the coating cannot be removed by normal rubbing, chipping, or scratching.

The Coating Process

After pre-treatment the prepared parts are powder coated with a specially formulated polyurethane powder. This powder provides protection against wear, abrasion, impact and corrosion and acts as the relief base color for the finalized metal decoration.

The component is then wrapped with a sheet of non-porous film with the selected decoration pattern printed on it using special high temperature inks.

This printed film transfer is vacuum-sealed to the surface for a complete thermo print and then transferred into a customized oven. The oven transforms the ink into different forms within the paint layer before it becomes solid. Finally, the film is removed, and a vivid timber look on aluminum remains.

Wood grain coating can create beautiful wood-looking products of any sort. There are over 300 combinations of designs currently in use. Wood grains can be made with different colors, designs, etc.

Our powder coatings are certified for indoor and outdoor applications and are backed by a comprehensive warranty. These coatings rise to the highest conceivable standard of performance excellence and design innovation.

Added Benefits

- Resistance to salt-acid room, accelerated aging
- Boiling water, lime and condensed water resistant
- Anti-Graffiti, Anti-Slip, Anti-Microbial, Anti-Scratch
- Super durable (UV resistant)
- TGIC free (non-toxic)

More Custom Finishes Available Upon Request

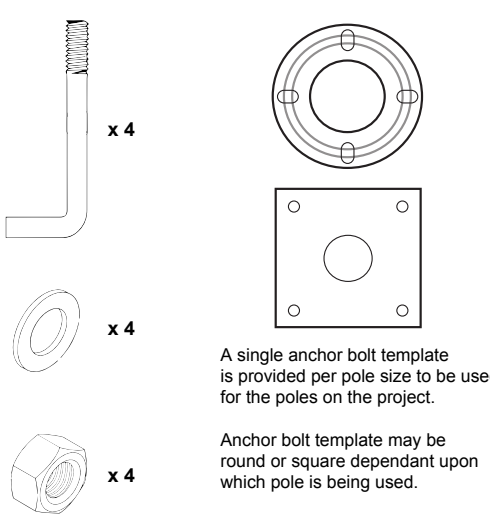
Consult factory for pricing and lead times



Example: Inspired by Nature Finish

Anchor Bolt Installation for Poles

What's Included Per Pole



x 4

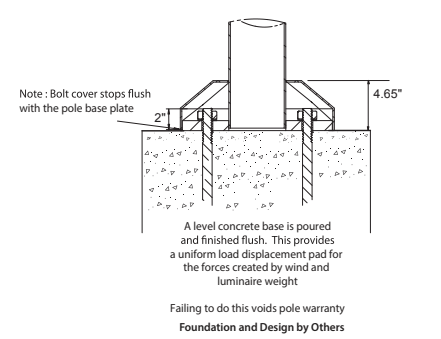
x 4

x 4

A single anchor bolt template is provided per pole size to be used for the poles on the project.

Anchor bolt template may be round or square dependant upon which pole is being used.

Preferred Pole Installation



Note: Bolt cover stops flush with the pole base plate

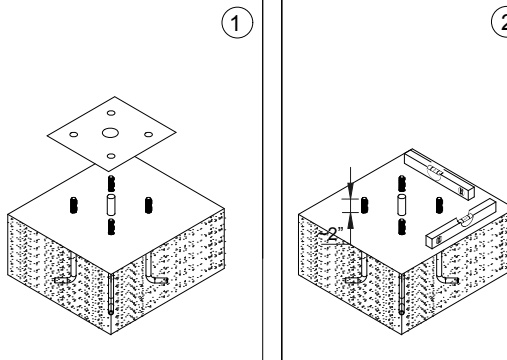
4.65"

2"

A level concrete base is poured and finished flush. This provides a uniform load displacement pad for the forces created by wind and luminaire weight

Failing to do this voids pole warranty
Foundation and Design by Others

In rare instances where leveling bolts have to be used, it is important that a flush concrete surface is created to mount the pole base plate.
NOTE: When using leveling bolts, bolt projection should be 3.5"



①

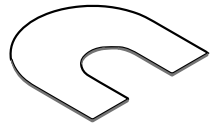
②

Use anchor bolt template to set anchor bolts into concrete as per civil engineering instructions.

Ensure that the concrete is plumb using a level. Failing to do this will result in pole being uneven or tilted.

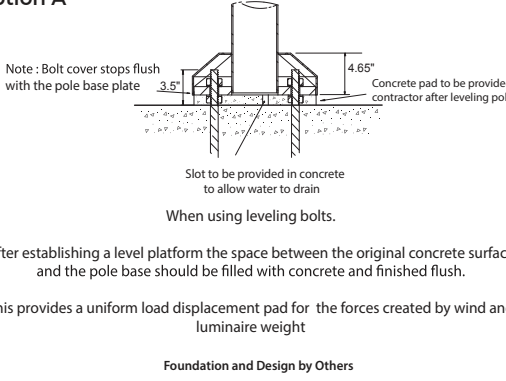
Ligman does not provide foundation details. A local engineer that is familiar with the site soil conditions should provide this information.

NOTE:
Ligman does not recommend using leveling bolts for pole installations.
Leveling shims can be provided, contact Ligman for more information.



Leveling Shim Example

Using Leveling Bolts Option A



Note: Bolt cover stops flush with the pole base plate

4.65"

3.5"

Concrete pad to be provided by contractor after leveling pole

Slot to be provided in concrete to allow water to drain

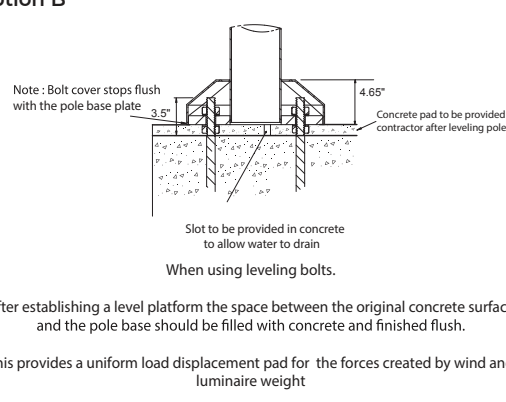
When using leveling bolts.

After establishing a level platform the space between the original concrete surface and the pole base should be filled with concrete and finished flush.

This provides a uniform load displacement pad for the forces created by wind and luminaire weight

Foundation and Design by Others

Using Leveling Bolts Option B



Note: Bolt cover stops flush with the pole base plate

4.65"

3.5"

Concrete pad to be provided by contractor after leveling pole

Slot to be provided in concrete to allow water to drain

When using leveling bolts.

After establishing a level platform the space between the original concrete surface and the pole base should be filled with concrete and finished flush.

This provides a uniform load displacement pad for the forces created by wind and luminaire weight

INSTALLATION AND SERVICE MANUAL



For installation of TANGO 36,37 POST TOP .
Model. UTA-20001,UTA-20011,UTA-20021 AND UTA-20031

Product drawing (dimensions)

SUITABLE FOR WET LOCATIONS

1

2 Connect Power and Ground Wire.

3

Notice to installer :

1. **WIRING INSTRUCTIONS** Warning : RISK OF FIRE AND ELECTRICAL SHOCK. : FIXTURE MUST BE INSTALLED BY A QUALIFIED ELECTRICIAN ONLY>FIXTURE IS INTENDED FOR INSTALLATION IN ACCORDANCE WITH THE NATIONAL ELECTRICAL CODE, LOCAL AND FEDERAL CODE SPECIFICATIONS. DISCONNECT POWER BEFORE SERVICING.
2. This fixture has a **VOLTAGE SPECIFIC BALLAST**, Check that the supply voltage is the same as the installed ballast voltage.

Ligman Lighting USA

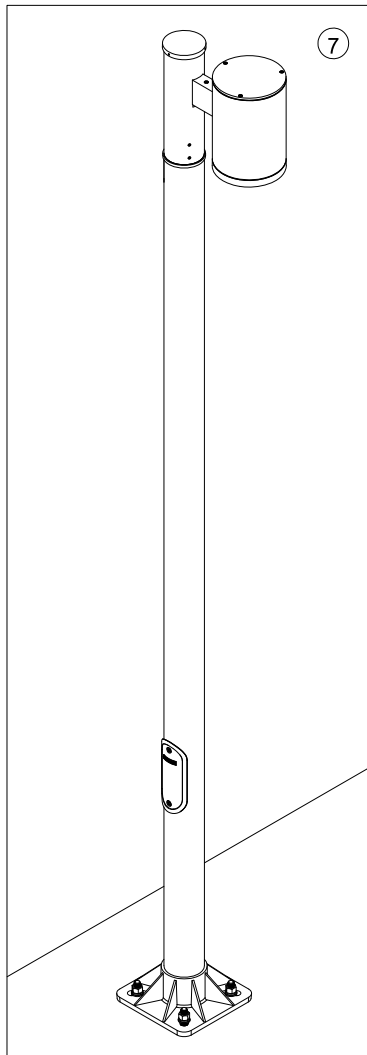
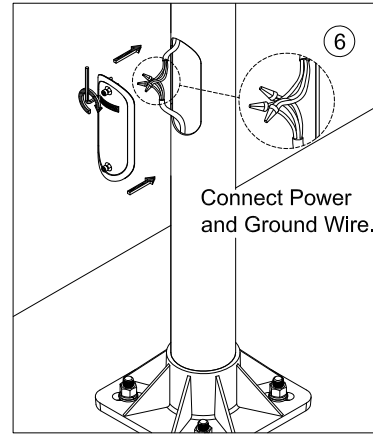
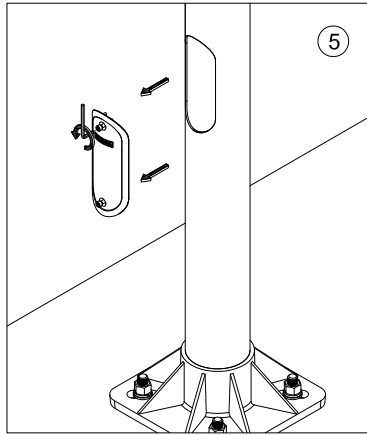
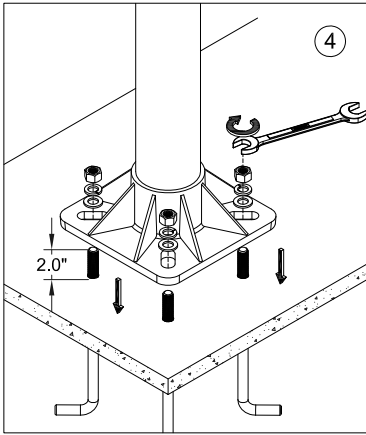
7144 NW Progress Court, Hillsboro
Oregon, 97124, USA
Tel : 503 645 0500 | Fax : 503 645 8100

www.ligmanlightingusa.com



UTA-20001 16/09/17/REV.0 KIE
1/2

FM-TS-13/25-05-2007-REV.2

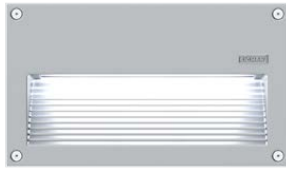


UTA-20001 16/09/17/REV.0 KIE
2/2

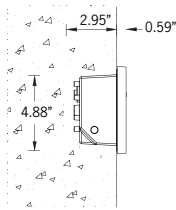
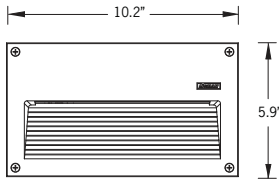
URA-40541

Rado 2 Recessed

(LLTH # URA-40542)



11w LED 403 Lumens • 17w LED 620 Lumens
 IP65 • Suitable For Wet Locations
 IK09 • Impact Resistant (Vandal Resistant)
 Weight 2.6 lbs



Construction

Aluminum Casting
 Less than 0.1% copper content - Marine Grade 6060 extruded & LM6 Aluminum High Pressure die casting provides excellent mechanical strength, clean detailed product lines and excellent heat dissipation.

Pre-paint
 8 step degrease and phosphate process that includes deoxidizing and etching as well as a zinc and nickel phosphate process before product painting.

Memory Retentive - Silicon Gasket
 Provided with special injection molded "fit for purpose" long life high temperature memory retentive silicon gaskets. Maintains the gaskets exact profile and seal over years of use and compression.

Thermal management
 LM6 Aluminum is used for its excellent mechanical strength and thermal dissipation properties in low and high ambient temperatures. The superior thermal heat sink design by Ligman used in conjunction with the driver, controls thermals below critical temperature range to ensure maximum luminous flux output, as well as providing long LED service life and ensuring less than 10% lumen depreciation at 50,000 hours.

Surge Suppression
 Standard 10kv surge suppressor provided with all fixtures.

BUG Rating
 B0 - U2 - G1

Finishing
 All Ligman products go through an extensive finishing process that includes fettling to improve paint adherence.

Paint
 UV Stabilized 4.9Mil thick powder coat paint and baked at 200 Deg C. This process ensures that Ligman products can withstand harsh environments. Rated for use in natatoriums.

Inspired by Nature Finishes
 The Inspired by nature Finishing is a unique system of decorative powder coating. Our metal decoration process can easily transform the appearance of metal or aluminum product into a wood grain finish.

This patented technology enables the simulation of wood grain, and even marble or granite finish through the use of decorative powder coating.

The wood grain finish is so realistic that it's almost undistinguishable from real wood, even from a close visual inspection. The system of coating permeates the entire thickness of the coat and as a result, the coating cannot be removed by normal rubbing, chipping, or scratching.

The Coating Process
 After pre-treatment the prepared parts are powder coated with a specially formulated polyurethane powder. This powder provides protection against wear, abrasion, impact and corrosion and acts as the relief base color for the finalized metal decoration.

The component is then wrapped with a sheet of non-porous film with the selected decoration pattern printed on it using special high temperature inks.

This printed film transfer is vacuum-sealed to the surface for a complete thermo print and then transferred into a customized oven. The oven transforms the ink into different forms within the paint layer before it becomes solid. Finally, the film is removed, and a vivid timber look on aluminum remains.

Wood grain coating can create beautiful wood-looking products of any sort. There are over 300 combinations of designs currently in use. Wood grains can be made with different colors, designs, etc.

Our powder coatings are certified for indoor and outdoor applications and are backed by a comprehensive warranty. These coatings rise to the highest conceivable standard of performance excellence and design innovation.

- Added Benefits**
- Resistance to salt-acid room, accelerated aging
 - Boiling water, lime and condensed water resistant
 - Anti-Graffiti, Anti-Slip, Anti-Microbial, Anti-Scratch
 - Super durable (UV resistant)
 - TGIC free (non-toxic)

Hardware
 Provided Hardware is Marine grade 316 Stainless steel.

Anti-Seize Screw Holes
 Tapped holes are infused with a special anti-seize compound designed to prevent seizure of threaded connections, due to electrolysis from heat, corrosive atmospheres and moisture.

Crystal Clear Low Iron Glass Lens
 Provided with tempered, impact resistant crystal clear low iron glass ensuring no green glass tinge.

Optics & LED
 Precise optic design provides exceptional light control and precise distribution of light. LED CRI > 80

Lumen - Maintenance Life
 L80 /B10 at 50,000 hours (This means that at least 90% of the LED still achieve 80% of their original flux)

Sturdy classic wall-recessed pathway and stair luminaire. Simple pleasing aesthetic and sturdy construction, perfect for retrofit applications with its multiple sizes offered.

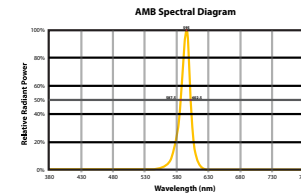
A range of rectangular and square wall recessed luminaires, with an indirect optical system, offering high vandal resistance. Suitable for indoor or outdoor applications. The recessed LED eliminates all discomfort glare as light is directed to the ground providing illumination where it is needed and minimizing light spill. This luminaire is provided with a powdercoated high pressure die-cast aluminum back box and can be pre shipped to the jobsite for concrete pour or masonry applications.

This fixture is suitable for lighting footpaths, stairs, squares and entrances.

The Rado range has a matching bollard offering to complement the recessed product. See bollard section on the Ligman website.

All Ligman fixtures can be manufactured using a special pre-treatment and coating process that ensures the fixture can be installed in natatoriums as well as environments with high concentrations of chlorine or salt and still maintain the 5 year warranty. For this natatorium rated process please specify NAT in options.

CITY OF FLAGSTAFF & TURTLE FRIENDLY COMPLIANT



Narrow-Spectrum Amber LEDs
 Peak wavelength between 585 & 595 nanometers and a full width of 50% power no greater than 15 nanometers.

Ligman Lighting USA reserves the right to change specifications without prior notice, please contact factory for latest information. Due to the continual improvements in LED technology data and components may change without notice.

URA-40541

Rado 2 Recessed

(LLTH # URA-40542)



PROJECT	<input type="text"/>	DATE	<input type="text"/>
QUANTITY	<input type="text"/>	TYPE	<input type="text"/>
NOTE	<input type="text"/>		

ORDERING EXAMPLE || URA-40541 - 17w - W30 - 02 - 120/277V

URA-40541	<input type="text"/>	<input type="text"/>	<input type="text"/>	<input type="text"/>
	LAMP	LED COLOR	FINISH COLOR	VOLTAGE
	11w LED 403 Lumens	W27 - 2700K W30 - 3000K W35 - 3500K	01 - BLACK RAL 9011 02 - DARK GREY RAL 7043 03 - WHITE RAL 9003 04 - METALLIC SILVER RAL 9006 05 - MATTE SILVER RAL 9006 06 - LIGMAN BRONZE 07 - CUSTOM RAL	120/277v Other - Specify
	17w LED 620 Lumens	W40 - 4000K		
			INSPIRED BY NATURE FINISHES SW01 - OAK FINISH SW02 - WALNUT FINISH SW03 - PINE FINISH DF - DOUGLAS FIR FINISH CW - CHERRY WOOD FINISH NW - NATIONAL WALNUT FINISH SU01 - CONCRETE FINISH SU02 - SOFTSCAPE FINISH SU03 - STONE FINISH SU04 - CORTEN FINISH	THERE IS AN ADDITIONAL COST FOR THESE FINISHES

<input type="text"/>	<input type="text"/>	<input type="text"/>
ADDITIONAL OPTIONS		

- NAT - Natatorium Rated
- AMB - Turtle Friendly Amber LED
- DIM - 0-10v Dimming

More Custom Finishes Available Upon Request

Consult factory for pricing and lead times



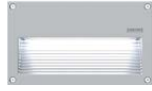
Ligman Lighting USA reserves the right to change specifications without prior notice, please contact factory for latest information. Due to the continual improvements in LED technology data and components may change without notice.

Rado Product Family



Rado 1

• URA-40531-4w-133lm



Rado 2

• URA-40541-11w-403lm
• URA-40541-17w-620lm



Rado 3

• URA-40551-11w-460lm
• URA-40551-13w-540lm



Rado 4

• URA-40562-27w-853lm



Rado 5

• URA-40581-11w-319lm
• URA-40581-17w-447lm



Rado 6

• URA-40691-11w-471lm



Rado 7

• URA-40701-20w-1399lm



Rado 1

• URA-10751-4w-133lm



Rado 2

• URA-10771-11w-403lm
• URA-10771-17w-620lm



Rado 3

• URA-10791-11w-460lm
• URA-10791-13w-540lm



Rado 4

• URA-10812-27w-853lm



Rado 5

• URA-10821-11w-319lm
• URA-10821-17w-447lm



SIGN LIGHT

XT SERIES / 1000 LUMENS MAX LED



SL0306LEDXT

APPLICATION

3" diameter machined aluminum Sign Light for focused adjustable spot lighting.

FEATURES

The wide range of combinations for illumination, mounting and finishes allows for creative fixture specification and design. Fixtures may be wall mounted with standard or custom wall arm (goosenecks). LED module and driver are serviceable for future replacement.

FINISH

Multi-stage polyester powder-coat process applied on our dedicated paint lines. A wide variety of standard and custom finishes are available. All exposed materials are chromate pretreated to resist corrosion.

ELECTRONICS

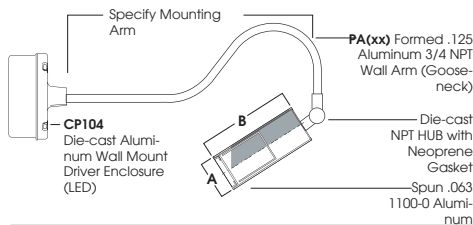
LED system features Xicato LED module with proprietary phosphor technology that converts high brightness blue LEDs into uniform white light. Designed to provide consistent, stable color with CCT control of +/- 100K over life of the light engine. Base CRI is 82 with 90, 95 CRI and Vivid™ options. Variety of electronic 120v/277v and dimming drivers.

CONSTRUCTION

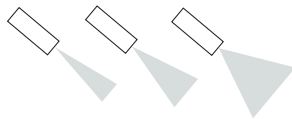
Fixture shades are spun in our factory from 0.063 high purity aluminum. Wall enclosures and fittings are die-cast aluminum with stainless steel hardware. Wall arms are formed 3/4 NPT aluminum pipe. Gaskets are machine cut neoprene.

CODE COMPLIANCE

ARRA Compliant. ETL listed for damp locations. Optional Wet location. Manufactured and built to UL standards No. 1598/8750.



SERIES	A	B
SL0306LEDXT	3.25 82.5 mm	7.06 179.3 mm



WATTAGE TO LUMENS UPDATE			
CURRENT PART NUMBER EXAMPLE	PREVIOUS PART NUMBER EXAMPLE	SOURCE LUMENS	SYSTEM WATTS
SL0306LEDXT 10L	SL0306LEDXT 7W	1000	11.1

SERIES	LUMENS ¹	CCT	BEAM	DRIVER / VOLTAGE ²	MOUNTING ³	FINISH ⁴
SL0306LEDXT	10L 1000 Lm	27K 2700° K	ND 20°	E. Electronic Driver DS10. 0-10v Dimming, to 10%	CP104 Wall Driver Housing CP6/RMD Remote Mount Driver PA(XX) See RLM Mounting Page for Available Arm Options WL Wet Location	GW Gloss White GB Gloss Black BZ Bronze OB Oil Rubbed Bronze PT Platinum SI Silver GA Galvanized CH Charcoal GH Graphite AM Anodic Malachite SN Sun Gold EG Evergreen VE Verde Green BL Blue Streak RD Red Baron OR Orange CO Copper Metallic
		30K 3000° K	MD 30°			
		35K 3500° K	WD 40°			
		40K 4000° K				

EXAMPLE: SL0306LEDXT10L30KMDE1/PA23/CP106/WLWG

NOTES:
 1 Nominal Source Lumens at Any CCT 2 Contact Factory for Additional Options 3 See Mounting Page for Details 4 Contact Factory for Special Finishes



Dimensions and values shown are nominal. Spectrum Lighting continually works to improve products and reserves the right to make changes which may alter the performance or appearance of products.



PROJECT:	TYPE:
CAT. NO.:	



WWW.SPECLIGHT.COM • 994 JEFFERSON STREET, FALL RIVER, MA 02721 • 508.678.2303 FAX 508.678.2260

1601

WALL MOUNTING

SOME OPTIONS NOT AVAILABLE ON ALL FIXTURES. CONSULT SPECIFICATION SHEETS. SEE INDIVIDUAL SPECIFICATION SHEETS OR CONSULT FACTORY FOR ADDITIONAL INFORMATION. NOTE: THIS IS TYPICAL OF RLM SPECIFICATION FOR MOUNTING. INDIVIDUAL FIXTURES OR PROJECTS MAY HAVE SPECIALIZED REQUIREMENTS.



WALL MOUNTING

CUSTOM AND OTHER WALL ARMS AVAILABLE - CONTACT FACTORY. ARMS MAY BE FIELD CUT ON WALL SIDE - FIXTURE SIDE THREADED 3/4" NPT REQUIRES SEALANT FOR WET LOCATION.

CP104 - SMALL DRIVER CANOPY (STANDARD)
MAY BE USED AS SPLICE BOX FOR DIRECT FEED

CP106 - LARGE DRIVER CANOPY
MAY BE USED AS SPLICE BOX FOR DIRECT FEED

CP6/RMD - REMOTE MOUNT DRIVER
MOUNTS DIRECTLY TO WALL OR OCTAGON STYLE J-BOX

PA15 - 15.0, 9.8, 8.3

PA17 - 17.0, 7.0

PA22 - 22.0, 7.5, 5.0, 12.5

PA23 - 23.0, 7.0

PA23(xx) - SPECIFY LENGTH

EXAMPLE: PA2330 - 30" PA23

PA24 - 15.0, 18.0, 9.5, 24.0

PA26 - 28.5, 12.7

PA27 - Designed for Signlight - 27.5, 14.55

SP(xx) 6", 12" & 24"
Designed for Straight Arm Mounting
- SPECIFY LENGTH

EXAMPLE: SP6 - STRAIGHT PIPE 6" LONG

PA32 - 32.6, 19.5, 30.0, 10.5, 32.2

PA36 - 36.0, 7.0

PA48 - 48.0, 7.0

SP90(xx)
Designed for Straight Arm Mounting
- SPECIFY LENGTH

EXAMPLE: SP9024 - STRAIGHT PIPE 24" LONG

PA90 (Wxx)(Dxx)
- SPECIFY LENGTH (Wxx)
- SPECIFY DROP (Dxx) (6.5 Minimum)

EXAMPLE: PA90W20D07 - 90" PIPE 20 LONG 7" DEEP THREADED AT FIXTURE END

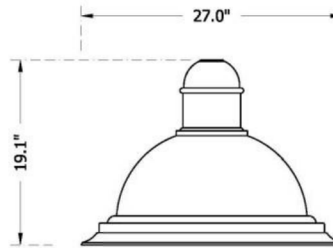
PA16 - Front Wall Mount - 15.0, 25.0, 13.0

PA16F - Back Wall Mount - 20.0, 25.0, 13.0

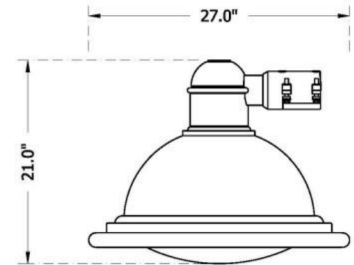
PA901212 - 12.0

Project Name _____ Qty _____

Type _____ Catalog / Part Number _____

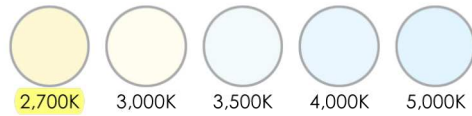


1527LED-F-FG



1527LEDSM-R-SG

CCT - Color Temperature (K)



7 Year Warranty



IP Rating



Certifications



Description

The 1527LED Omega™ is a decorative and energy efficient downlight fixtures with a spun aluminum bell styled dome. The luminaire has a gasketed hinged door for tool-less driver and LED access. Offered in a variety of mounting configurations, wattages, CCT's and distribution types makes this product the premier option for any Urban, Roadway or Area-Light application.

EPA: .93 (ft²) | WEIGHT: 38 LBS

Features

Mounting Configuration

- 1W:** Wall Mount
- 2A:** 2 Arm Mount @ 180°
- 3A:** 3 Arms @ 120°
- 4A:** 4 Arms @ 90°
- 2AM:** 2 Arm Mid-Mount @ 180
- CH44:** Chain Hung
- 1A:** 1 Arm Mount
- 2A90:** 2 Arm Mount @ 90°
- 3A90:** 3 Arms @ 90°
- 1AM:** 1 Arm Mid-Mount
- SH44:** SH44 Stem Hung
- CAT:** CAT Catenary

Optional Control Receptacle

R7: 7-Pin control receptacle only

Optional Control

- PE:** Twist-Lock Photocontrol (120V-277V)
- PE4:** Twist-Lock Photocontrol (347V-480V)
- SC:** Shorting Cap
- PEC:** Electronic Button Photocontrol (120V-277V)
- PEC4:** Electronic Button Photocontrol (480V)

Optional Fuse

FHD: Double Fuse and Holder

Optional Hangstraight

- HSBS:** Standard Horizontal Hangstraight, Spike Finial
- HSBN:** Standard Horizontal Hangstraight, No Finial
- HSBB:** Standard Horizontal Hangstraight, Ball Finial
- HSCB:** Clamp Style Horizontal Hangstraight, Ball Finial
- HSCS:** Clamp Style Horizontal Hangstraight, Spike Finial
- HSCN:** Clamp Style Horizontal Hangstraight, No Finial
- EZ:** Vertical Hangstraight, Large, "EZ" Mount

Optional House Side Shield

- HSS:** 120° House Side Shield
- BLOC:** Back Light Optical Control

Optional Fixed Dimming Resistor Board **FDRB:** Fixed Dimming Resistor Board

Physical

Fixture	1527LED: 1527LED 1527LEDSM: 1527LEDSM	
Shade Style	R: Round Edge	F: Flared Edge
Lens	FG: Flat Glass SG: Sag Glass FSG: Frosted Sag Glass SV1: Flat Soft Vue Light Diffused Acrylic SV2: Flat Soft Vue Moderate Diffused Acrylic SV4: Flat Soft Vue Maximum Diffused Acrylic	
Finish	UGMT: Urban Gun Metal Textured UB: Urban Bronze Matte USL: Urban Silver Matte UWH: Urban White Matte CM: Custom Match DBT: Dark Bronze Textured PGT: Park Green Textured VG: Verde Green	UGM: Urban Gun Metal Matte UBT: Urban Bronze Textured USLT: Urban Silver Textured UWHT: Urban White Textured BKT: Black Textured ABZT: Architectural Medium Bronze Textured OWGT: Old World Gray Textured SI: Swedish Iron WHT: White Textured

Light Source

LED	12L: 12 LEDs 32L: 32 LEDs	24L: 24 LEDs
CCT - Color Temperature (K)	27: 2,700K 35: 3,500K 50: 5,000K	30: 3,000K 40: 4,000K
Distribution Type	T2: Type 2 T4: Type 4	T3: Type 3 T5: Type 5

Electrical and control

Driver	MDL018: 120V-277V, 180mA MDL014: 120V-277V, 140mA	MDH018: 347V-480V, 180mA MDH014: 347V-480V, 140mA
---------------	--	--

Specifications

Serviceability	Tool-less access to the driver compartment allows for trouble free servicing of the LED Driver and Surge Suppressor. Easy access to service the lens in the field.
Comfortable Optics	SoftVue™ lens provides optimal visual comfort
DLC Listed	Some product combinations are listing with the DesignLights Consortium (DLC). Consult the factory or the DLC website for specific listings.
UL Listing	UL listed per UL1598 for Wet Locations and CSA 22.2 No. 250.0 for the US and Canada.
Electronic Driver	The LED driver shall be securely mounted inside the fixture, for optimized performance and longevity and shall be U.L. Recognized. It shall be supplied with a quick-disconnect electrical connector on the power supply, providing easy power connections and fixture installation. It shall have overload, overheat and short circuit protection, and have a DC voltage output, constant current design, 50/60HZ. It shall be supplied with line-ground, line-neutral and neutral-ground electrical surge protection in accordance with IEEE/ANSI C62.41.2 guidelines. It shall be a high efficiency driver with a THD less than 20% and a high power factor greater than .9. It shall be dimming capable using a 0-10v signal, consult factory for more information.
NightSky® Friendly	Night-Sky Compliant with a U0 BUG rating
IP Rating	IP65 rated
Finish	6 Stage Polyester Powdercoat paint system.
Urban Finish	Urban paint finishes are available in Sternberg Lighting's Urbanline products and create a modern, elegant aesthetic. Finishes are available in textured or matte
Traditional Finishes	Traditional paint finishes are available in Sternberg Lighting's Traditional product line. A range of colors help accent the decorative elements on the product. Finishes are available in textured or smooth.
Sternberg Select Finishes	Available with Sternberg Select Finishes in Verde Green, Swedish Iron, and Old World Gray Textured for a traditional aesthetic.
Warranty	7-year limited warranty (See Website for Terms and Conditions.)
LEDs	The luminaire shall use high output, high brightness LEDs. The LEDs are mounted to maximize thermal transfer to the heat sink surface. The LEDs shall be 100% recyclable; not contain lead, mercury or any other hazardous substances and shall be RoHS compliant. Lumen maintenance shall be determined in accordance with IESNA TM-21, based on LED manufacturer LM-80 test data of no less than 6,000 hours and in-situ testing of the luminaire by an NVLAP accredited Energy Efficient Lighting Products lab. The high-performance white LEDs will have a predicted lumen depreciation of approximately 100,000 hours with greater than 70% of initial output at 25°C. The high-brightness, high-output white LEDs shall be 4000K nominal (2700K, 3000K, 3500K or 5000K optional) correlated color temperature (CCT) with a 70 (minimum) color rendering index (CRI). Consult factory for custom CCT or CRI. The luminaire shall have a minimum _____ (see table) delivered initial lumens when operated at steady state with an average ambient temperature of 25°C (77°F). CCT Lumen Derate Values from 4,000K 2,700K (70+ CRI)=.92 3,000K (70+ CRI)=.95 3,500K (70+ CRI)=.97 5,000K (70+ CRI)=1.00
Optics	The luminaire shall be provided with individual, refractor type optics applied to each LED. The luminaire shall provide Type ____ (2, 3, 4 or 5) light distribution per the IESNA classifications. Testing shall be done in accordance with IESNA LM-79.
Backlight Optical Control	BLOC Optic (BLOC): An optional "Back Light Optical Control" shield can be provided at the factory. This is an internal optic level "House Side Shield" offering significantly reduced backlight and glare while maintaining the original design aesthetics of the luminaire. External House Side Shield (HSS): An optional external 120° House Side Shield helps control backlight. Spun aluminum panel painted to match fixture.
FDRB	10-step field adjustable dimming board. Includes step dimming options from 25%-100%. The unit is conformal coated and UL recognized for use in damp locations.

Photocontrols

Button Style: The photocontrol shall be mounted on the fixture and pre-wired to driver. The electronic button type photocontrol is instant on with a 5-10 second turn off, and shall turn on at 1.5 footcandles with a turn-off at 2-3 footcandles. See pole spec sheet for pole mounted version.

Twist-Lock Style (Hangstraight Mount): The photocontrol shall be mounted externally on the hangstraight and pre-wired to driver. The twist lock type photocontrol is instant on with a 3-6 second turn off, and shall turn on at 1.5 footcandles with a turn-off at 2-3 footcandles.

Twist-Lock Style (Roof Mount): The photocontrol shall be mounted on the roof and prewired to driver. The twist lock type photocontrol is instant on with a 3-6 second turn off, and shall turn on at 1.5 footcandles with a turnoff at 2-3 footcandles. Photocontrol is 120-277 volt.

Lumen Chart(s)

Tested with FG lens

Model #	T2 DELIVERED LUMENS	BUG	EFFICACY (LPW)	T3 DELIVERED LUMENS	BUG	EFFICACY (LPW)	T4 DELIVERED LUMENS	BUG	EFFICACY (LPW)	T5 DELIVERED LUMENS	BUG	EFFICACY (LPW)	WATTAGE
32L40T_-MDL018	18485	B3U0G3	120.0	17700	B3U0G3	114.9	17410	B3U0G3	113.1	18640	B4U0G2	121.0	154
32L30T_-MDL018	17625	B3U0G3	114.4	16875	B3U0G3	109.6	16600	B3U0G3	107.8	17770	B4U0G2	115.4	154
32L27T_-MDL018	15935	B2U0G2	103.5	15260	B3U0G3	99.1	15010	B2U0G2	97.5	16070	B3U0G2	104.4	154
32L40T_-MDL014	15190	B2U0G2	128.7	14640	B3U0G3	124.1	14310	B2U0G2	121.3	15405	B3U0G2	130.6	118
32L30T_-MDL014	14485	B2U0G2	122.8	13960	B3U0G3	118.3	13645	B2U0G2	115.6	14690	B3U0G2	124.5	118
32L27T_-MDL014	13095	B2U0G2	111.0	12620	B3U0G3	106.9	12335	B2U0G2	104.5	13280	B3U0G2	112.5	118
24L40T_-MDL018	14205	B2U0G2	121.4	13550	B3U0G3	115.8	13325	B2U0G2	113.9	14245	B3U0G2	121.8	117
24L30T_-MDL018	13545	B2U0G2	115.8	12920	B3U0G3	110.4	12705	B2U0G2	108.6	13580	B3U0G2	116.1	117
24L27T_-MDL018	12245	B2U0G2	104.7	11680	B2U0G2	99.8	11485	B2U0G2	98.2	12280	B3U0G2	105.0	117
24L40T_-MDL014	11350	B2U0G2	129.0	10900	B2U0G2	123.9	10650	B2U0G2	121.0	11445	B3U0G2	130.1	88
24L30T_-MDL014	10820	B2U0G2	123.0	10395	B2U0G2	118.1	10155	B2U0G2	115.4	10910	B3U0G2	124.0	88
24L27T_-MDL014	9785	B2U0G2	111.2	9395	B2U0G2	106.8	9180	B2U0G2	104.3	9865	B3U0G2	112.1	88
12L40T_-MDL018	7050	B1U0G1	117.5	6785	B2U0G2	113.1	6545	B1U0G2	109.1	7100	B3U0G1	118.3	60
12L30T_-MDL018	6720	B1U0G1	112.0	6470	B2U0G2	107.8	6240	B1U0G2	104.0	6770	B3U0G1	112.8	60
12L27T_-MDL018	6080	B1U0G1	101.3	5850	B2U0G2	97.5	5640	B1U0G2	94.0	6120	B3U0G1	102.0	60

Clamp Style Horizontal Hangstraight

To slip fit 8" long by 2-3/8" OD on horizontal tenon



Clamp Style Horizontal Hangstraight, Spike Finial (HSCS)



Clamp Style Horizontal Hangstraight, Ball Finial (HSCB)



Clamp Style Horizontal Hangstraight, No Finial (HSCN)

Standard Horizontal Hangstraight

To slip fit 4" long by 2-3/8" OD on horizontal tenon



Standard Horizontal Hangstraight, Spike Finial
(HSHS)



Standard Horizontal Hangstraight, Ball Finial (HSHB)



Standard Horizontal Hangstraight, No Finial (HSHN)

Vertical Hangstraight



"EZ" Vertical hangstraight (EZ)

Options



Button Photocell (PEC or PEC4)



7-Pin NEMA Twist-Lock Receptacle (R7)



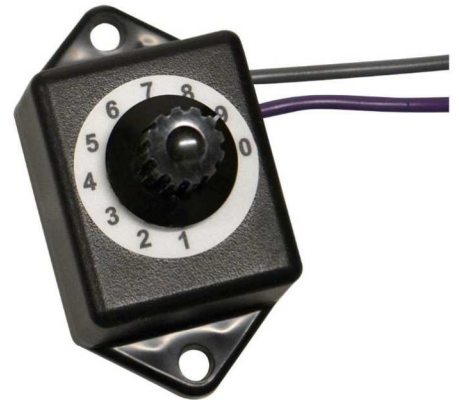
NEMA Twist-Lock Photocell (PE or PE4)



Double Fuse Holder & (2) 3A Fuses (FHD)



House Side Shield (HSS)



Fixed Dimming Resistor Board (FDRB)

How to order

Mounting Configuration	Drop Length (In Inches)	Fixture	Shade Style	LED	CCT - Color Temperature (K)
1W Wall Mount		1527LED 1527LED	R Round Edge	12L 12 LEDs	27 2,700K
1A 1 Arm Mount		1527LEDSM 1527LEDSM	F Flared Edge	24L 24 LEDs	30 3,000K
2A 2 Arm Mount @ 180°				32L 32 LEDs	35 3,500K
2A90 2 Arm Mount @ 90°					40 4,000K
3A 3 Arms @ 120°					50 5,000K
3A90 3 Arms @ 90°					
4A 4 Arms @ 90°					
1AM 1 Arm Mid-Mount					
2AM 2 Arm Mid-Mount @ 180					
SH44 SH44 Stem Hung					
CH44 Chain Hung					
CAT CAT Catenary					

How to order

Distribution Type	Driver	Lens	Optional Control Receptacle ⁽²⁾	Optional Control	Optional Fuse
T2 Type 2	MDL018 120V-277V, 180mA	FG Flat Glass	R7 7-Pin control receptacle only ⁽³⁾	PE Twist-Lock Photocontrol (120V-277V) ⁽⁴⁾ PE4 Twist-Lock Photocontrol (347V-480V) ⁽⁴⁾ SC Shorting Cap ⁽⁴⁾ PEC Electronic Button Photocontrol (120V-277V) PEC4 Electronic Button Photocontrol (480V)	FHD Double Fuse and Holder ⁽⁵⁾
T3 Type 3	MDH018 347V-480V, 180mA	SG Sag Glass			
T4 Type 4	MDL014 120V-277V, 140mA ⁽¹⁾	FSG Frosted Sag Glass			
T5 Type 5	MDH014 347V-480V, 140mA ⁽¹⁾	SV1 Flat Soft Vue Light Diffused Acrylic			
		SV2 Flat Soft Vue Moderate Diffused Acrylic			
		SV4 Flat Soft Vue Maximum Diffused Acrylic			

Notes:

- 1. 32L or 24L system only.
- 2. Not for use with FDRB.
- 3. Only available with HSH_, HSC_ & SM.
- 4. Requires control receptacle.
- 5. Ships loose for installation in base.

TYPE B

How to order

Optional Hangstraight	Optional House Side Shield ⁽⁷⁾	Optional Fixed Dimming Resistor Board ⁽⁸⁾	Finish
<p>HSHS Standard Horizontal Hangstraight, Spike Finial ⁽⁶⁾</p> <p>HSHN Standard Horizontal Hangstraight, No Finial ⁽⁶⁾</p> <p>HSHB Standard Horizontal Hangstraight, Ball Finial ⁽⁶⁾</p> <p>HSCB Clamp Style Horizontal Hangstraight, Ball Finial ⁽⁶⁾</p> <p>HSCS Clamp Style Horizontal Hangstraight, Spike Finial ⁽⁶⁾</p> <p>HSCN Clamp Style Horizontal Hangstraight, No Finial ⁽⁶⁾</p> <p>EZ Vertical Hangstraight, Large, "EZ" Mount ⁽⁶⁾</p>	<p>HSS 120° House Side Shield</p> <p>BLOC Back Light Optical Control</p>	<p>FDRB Fixed Dimming Resistor Board</p>	<p>UGMT Urban Gun Metal Textured</p> <p>UGM Urban Gun Metal Matte</p> <p>UBT Urban Bronze Textured</p> <p>UB Urban Bronze Matte</p> <p>USLT Urban Silver Textured</p> <p>USL Urban Silver Matte</p> <p>UWHT Urban White Textured</p> <p>UWH Urban White Matte</p> <p>BKT Black Textured</p> <p>CM Custom Match ⁽⁹⁾</p> <p>ABZT Architectural Medium Bronze Textured</p> <p>DBT Dark Bronze Textured</p> <p>OWGT Old World Gray Textured</p> <p>PGT Park Green Textured</p> <p>SI Swedish Iron</p> <p>VG Verde Green</p> <p>WHT White Textured</p>

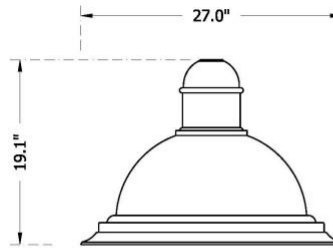
Notes:

6. Not for use with 1527LEDSM.
7. Not for use with TS optic.

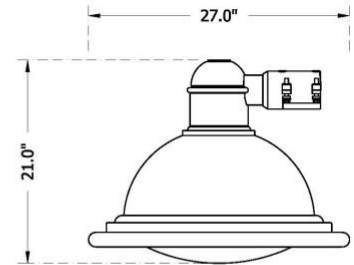
8. Not for use with R7.
9. Custom colors require upcharge.

Project Name _____ Qty _____

Type _____ Catalog / Part Number _____

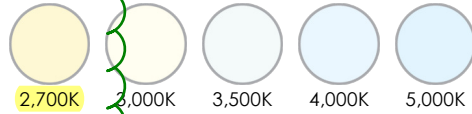


1527LED-F-FG



1527LEDSM-R-SG

CCT - Color Temp (K)



7 Year Warranty



IP Rating



Certifications



Description

The 1527LED Omega™ is a decorative and energy efficient downlight fixtures with a spun aluminum bell styled dome. The luminaire has a gasketed hinged door for tool-less driver and LED access. Offered in a variety of mounting configurations, wattages, CCT's and distribution types makes this product the premier option for any Urban, Roadway or Area-Light application.

EPA: .93 (ft²) | WEIGHT: 38 LBS

Features

Mounting Configuration	1W: Wall Mount 2A: 2 Arm Mount @ 180° 3A: 3 Arms @ 120° 4A: 4 Arms @ 90° 2AM: 2 Arm Mid-Mount @180° CH44: Chain Hung	1A: 1 Arm Mount 2A90: 2 Arm Mount @ 90° 3A90: 3 Arms @ 90° 1AM: 1 Arm Mid-Mount SH44: Stem Hung CAT: Catenary
Optional Control Receptacle	R7: 7-Pin control receptacle only	
Optional Control	PE: Twist-Lock Photocontrol (120V-277V) PE4: Twist-Lock Photocontrol (347V-480V) SC: Shorting Cap PEC: Electronic Button Photocontrol (120V-277V) PEC4: Electronic Button Photocontrol (480V)	
Optional Fuse	FHD: Double Fuse and Holder	
Optional Hangstraight	HSHS: Standard Horizontal Hangstraight, Spike Finial HSHN: Standard Horizontal Hangstraight, No Finial HSHB: Standard Horizontal Hangstraight, Ball Finial HSCB: Clamp Style Horizontal Hangstraight, Ball Finial HSCS: Clamp Style Horizontal Hangstraight, Spike Finial HSCN: Clamp Style Horizontal Hangstraight, No Finial EZ: Vertical Hangstraight, Large, "EZ" Mount	
Optional House Side Shield	HSS: 120° House Side Shield BLOC: Back Light Optical Control	

Optional Fixed Dimming Resistor Board **FDRB:** Fixed Dimming Resistor Board

Physical

Fixture	1527LED: 1527LED 1527LEDSM: 1527LEDSM	
Shade Style	R: Round Edge	F: Flared Edge
Lens	FG: Flat Glass SG: Sag Glass FSG: Frosted Sag Glass SV1: Flat Soft Vue Light Diffused Acrylic SV2: Flat Soft Vue Moderate Diffused Acrylic SV4: Flat Soft Vue Maximum Diffused Acrylic	
Finish	UGMT: Urban Gun Metal Textured UB: Urban Bronze Matte USL: Urban Silver Matte UWH: Urban White Matte CM: Custom Match DBT: Dark Bronze Textured PGT: Park Green Textured VG: Verde Green	UGM: Urban Gun Metal Matte UBT: Urban Bronze Textured USLT: Urban Silver Textured UWHT: Urban White Textured BKT: Black Textured ABZT: Architectural Medium Bronze Textured OWGT: Old World Gray Textured SI: Swedish Iron WHT: White Textured

Light Source

LED	12L: 12 LEDs 32L: 32 LEDs	24L: 24 LEDs
CCT - Color Temp (K)	27: 2,700K 35: 3,500K 50: 5,000K	30: 3,000K 40: 4,000K
Distribution Type	T2: Type 2 T3: Type 3 T4: Type 4 T5: Type 5	

Electrical and control

Driver	MDL018: 120V-277V, 180mA MDL014: 120V-277V, 140mA	MDH018: 347V-480V, 180mA MDH014: 347V-480V, 140mA
---------------	--	--

Specifications

Serviceability	Tool-less access to the driver compartment allows for trouble free servicing of the LED Driver and Surge Suppressor. Easy access to service the lens in the field.
Comfortable Optics	SoftVue™ lens provides optimal visual comfort
DLC Listed	Not all product variations listed on this page are DLC qualified. Visit https://qpl.designlights.org to confirm qualification, or consult factory.
UL Listing	UL listed per UL1598 for Wet Locations and CSA 22.2 No. 250.0 for the US and Canada.

Electronic Driver	The LED driver shall be securely mounted inside the fixture, for optimized performance and longevity and shall be U.L. Recognized. It shall be supplied with a quick-disconnect electrical connector on the power supply, providing easy power connections and fixture installation. It shall have overload, overheat and short circuit protection, and have a DC voltage output, constant current design, 50/60HZ. It shall be supplied with line-ground, line-neutral and neutral-ground electrical surge protection in accordance with IEEE/ANSI C62.41.2 guidelines. It shall be a high efficiency driver with a THD less than 20% and a high power factor greater than .9. It shall be dimming capable using a 0-10v signal, consult factory for more information.
NightSky® Friendly	Dark sky compliant optics with a U0 BUG rating for specific configurations.
IP Rating	IP65 rated
Finish	6 Stage Polyester Powdercoat paint system.
Urban Finish	Urban paint finishes are available in Sternberg Lighting's Urbanline products and create a modern, elegant aesthetic. Finishes are available in textured or matte.
Traditional Finishes	Traditional paint finishes are available in Sternberg Lighting's Traditional product line. A range of colors help accent the decorative elements on the product. Finishes are available in textured or smooth.
Sternberg Select Finishes	Available with Sternberg Select Finishes in Verde Green, Swedish Iron, and Old World Gray Textured for a traditional aesthetic.
Warranty	7-year limited warranty (See Website for Terms and Conditions.)
LEDs	<p>The luminaire shall be fully shielded and use high output, high brightness LEDs in a downward position to maximize efficiency. The LEDs are mounted to maximize thermal transfer to the heat sink surface. The LEDs shall be 100% recyclable; not contain lead, mercury or any other hazardous substances and shall be RoHS compliant. Lumen maintenance shall be determined in accordance with IESNA TM-21, based on LED manufacturer LM-80 test data of no less than 6,000 hours and in-situ testing of the luminaire by an NVLAP accredited Energy Efficient Lighting Products lab. The high-performance white LEDs will have a predicted lumen depreciation of approximately 100,000 hours with greater than 70% of initial output at 25°C. The high brightness, high-output white LEDs shall be 4000K nominal (2700K, 3000K, 3500K or 5000K optional) correlated color temperature (CCT) with a 70 (minimum) color rendering index (CRI). Consult factory for custom CCT or CRI. The luminaire shall have a minimum _____ (see table) delivered initial lumens when operated at steady state with an average ambient temperature of 25°C (77°F).</p> <p>CCT Lumen Derate Values from 4,000K</p> <p>2,700K (70+ CRI)=.92 3,000K (70+ CRI)=.95 3,500K (70+ CRI)=.97 5,000K (70+ CRI)=1.00</p>
Optics	The luminaire shall be provided with individual, refractor type optics applied to each LED. The luminaire shall provide Type ____ (2, 3, 4 or 5) light distribution per the IESNA classifications. Testing shall be done in accordance with IESNA LM-79.
Backlight Optical Control	<p>BLOC Optic (BLOC): An optional "Back Light Optical Control" shield can be provided at the factory. This is an internal optic level "House Side Shield" offering significantly reduced backlight and glare while maintaining the original design aesthetics of the luminaire.</p> <p>External House Side Shield (HSS): An optional external 120° House Side Shield helps control backlight. Spun aluminum panel painted to match fixture.</p>
FDRB	Optional 10-step field adjustable dimming board. Includes step dimming options from 25%-100%. The unit is conformal coated and UL recognized for use in damp locations.
Photocontrols	<p>Button Photocell: The photocontrol shall be mounted on the fixture and pre-wired to driver. The electronic button type photocontrol is instant on with a 5-10 second turn off, and shall turn on at 1.5 footcandles with a turn-off at 2-3 footcandles. See pole spec sheet for pole mounted version.</p> <p>Twist-Lock Style (Hangstraight Mount): The photocontrol shall be mounted externally on the hangstraight and pre-wired to driver. The twist lock type photocontrol is instant on with a 3-6 second turn off, and shall turn on at 1.5 footcandles with a turn-off at 2-3 footcandles.</p> <p>Twist-Lock Style (Roof Mount): The photocontrol shall be mounted on the roof and prewired to driver. The twist lock type photocontrol is instant on with a 3-6 second turn off, and shall turn on at 1.5 footcandles with a turnoff at 2-3 footcandles. Photocontrol is 120-277 volt.</p>

Lumen Chart(s)

Tested with FG lens

Model #	T2 DELIVERED LUMENS	BUG	EFFICACY (LPW)	T3 DELIVERED LUMENS	BUG	EFFICACY (LPW)	T4 DELIVERED LUMENS	BUG	EFFICACY (LPW)	T5 DELIVERED LUMENS	BUG	EFFICACY (LPW)	WATTAGE
32L40T_-MDL018	18485	B3U0G3	120.0	17700	B3U0G3	114.9	17410	B3U0G3	113.1	18640	B4U0G2	121.0	154
32L30T_-MDL018	17625	B3U0G3	114.4	16875	B3U0G3	109.6	16600	B3U0G3	107.8	17770	B4U0G2	115.4	154
32L27T_-MDL018	15935	B2U0G2	103.5	15260	B3U0G3	99.1	15010	B2U0G2	97.5	16070	B3U0G2	104.4	154
32L40T_-MDL014	15190	B2U0G2	128.7	14640	B3U0G3	124.1	14310	B2U0G2	121.3	15405	B3U0G2	130.6	118
32L30T_-MDL014	14485	B2U0G2	122.8	13960	B3U0G3	118.3	13645	B2U0G2	115.6	14690	B3U0G2	124.5	118
32L27T_-MDL014	13095	B2U0G2	111.0	12620	B3U0G3	106.9	12335	B2U0G2	104.5	13280	B3U0G2	112.5	118
24L40T_-MDL018	14205	B2U0G2	121.4	13550	B3U0G3	115.8	13325	B2U0G2	113.9	14245	B3U0G2	121.8	117
24L30T_-MDL018	13545	B2U0G2	115.8	12920	B3U0G3	110.4	12705	B2U0G2	108.6	13580	B3U0G2	116.1	117
24L27T_-MDL018	12245	B2U0G2	104.7	11680	B2U0G2	99.8	11485	B2U0G2	98.2	12280	B3U0G2	105.0	117
24L40T_-MDL014	11350	B2U0G2	129.0	10900	B2U0G2	123.9	10650	B2U0G2	121.0	11445	B3U0G2	130.1	88
24L30T_-MDL014	10820	B2U0G2	123.0	10395	B2U0G2	118.1	10155	B2U0G2	115.4	10910	B3U0G2	124.0	88
24L27T_-MDL014	9785	B2U0G2	111.2	9395	B2U0G2	106.8	9180	B2U0G2	104.3	9865	B3U0G2	112.1	88
12L40T_-MDL018	7050	B1U0G1	117.5	6785	B2U0G2	113.1	6545	B1U0G2	109.1	7100	B3U0G1	118.3	60
12L30T_-MDL018	6720	B1U0G1	112.0	6470	B2U0G2	107.8	6240	B1U0G2	104.0	6770	B3U0G1	112.8	60
12L27T_-MDL018	6080	B1U0G1	101.3	5850	B2U0G2	97.5	5640	B1U0G2	94.0	6120	B3U0G1	102.0	60

Clamp Style Horizontal Hangstraight

To slip fit 8" long by 2-3/8" OD on horizontal tenon



Clamp Style Horizontal Hangstraight, Spike Finial (HSCS)



Clamp Style Horizontal Hangstraight, Ball Finial (HSCB)



Clamp Style Horizontal Hangstraight, No Finial (HSCN)

Standard Horizontal Hangstraight

To slip fit 4" long by 2-3/8" OD on horizontal tenon



Standard Horizontal Hangstraight, Spike Finial (HSHS)



Standard Horizontal Hangstraight, Ball Finial (HSHB)



Standard Horizontal Hangstraight, No Finial (HSHN)

Vertical Hangstraight



"EZ" Vertical hangstraight (EZ)

Options



Button Photocell (PEC or PEC4)



7-Pin NEMA Twist-Lock Receptacle (R7)



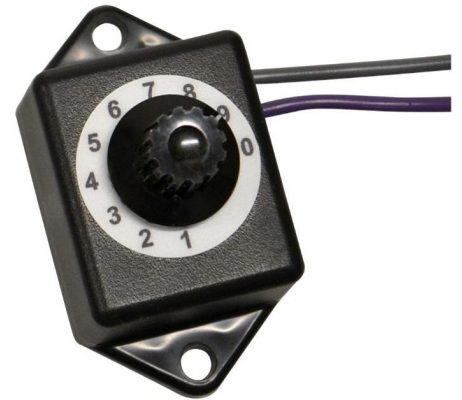
NEMA Twist-Lock Photocell (PE or PE4)



Double Fuse Holder & (2) 3A Fuses (FHD)



House Side Shield (HSS)



Fixed Dimming Resistor Board (FDRB)

How to Order

Mounting Configuration	Overall Drop Length (In Inches) (1)	Fixture	Shade Style	LED	CCT - Color Temp (K)
1W Wall Mount 1A 1 Arm Mount 2A 2 Arm Mount @ 180° 2A90 2 Arm Mount @ 90° 3A 3 Arms @ 120° 3A90 3 Arms @ 90° 4A 4 Arms @ 90° 1AM 1 Arm Mid-Mount 2AM 2 Arm Mid-Mount @180° SH44 Stem Hung CH44 Chain Hung CAT Catenary		1527LED 1527LED 1527LEDSM 1527LEDSM	R Round Edge F Flared Edge	12L 12 LEDs 24L 24 LEDs 32L 32 LEDs	27 2,700K 30 3,000K 35 3,500K 40 4,000K 50 5,000K

Notes:

1. Required field for Stem or Chain Mounting Configuration.

How to Order

Distribution Type	Driver	Lens	Optional Control Receptacle ⁽³⁾ ⁽⁵⁾	Optional Control	Optional Fuse
T2 Type 2	MDL018 120V-277V, 180mA	FG Flat Glass	R7 7-Pin control receptacle only ⁽⁴⁾	PE Twist-Lock Photocontrol (120V-277V) ⁽⁶⁾	FHD Double Fuse and Holder
T3 Type 3	MDH018 347V-480V, 180mA	SG Sag Glass		PE4 Twist-Lock Photocontrol (347V-480V) ⁽⁶⁾	
T4 Type 4	MDL014 120V-277V, 140mA ⁽²⁾	FSG Frosted Sag Glass		SC Shorting Cap ⁽⁶⁾	
T5 Type 5	MDH014 347V-480V, 140mA ⁽²⁾	SV1 Flat Soft Vue Light Diffused Acrylic		PEC Electronic Button Photocontrol (120V-277V)	
		SV2 Flat Soft Vue Moderate Diffused Acrylic		PEC4 Electronic Button Photocontrol (480V)	
		SV4 Flat Soft Vue Maximum Diffused Acrylic			

Notes:

- 2. 32L or 24L system only.
- 3. Not for use with FDRB.
- 4. Only available with HSH_, HSC_, & SM.

- 5. Consult factory for use with a wireless control node
- 6. Requires control receptacle.

How to Order

Optional Hangstraight	Optional House Side Shield ⁽⁸⁾	Optional Fixed Dimming Resistor Board ⁽⁹⁾	Finish
<p>HSHS Standard Horizontal Hangstraight, Spike Finial ⁽⁷⁾</p> <p>HSHN Standard Horizontal Hangstraight, No Finial ⁽⁷⁾</p> <p>HSHB Standard Horizontal Hangstraight, Ball Finial ⁽⁷⁾</p> <p>HSCB Clamp Style Horizontal Hangstraight, Ball Finial ⁽⁷⁾</p> <p>HSCS Clamp Style Horizontal Hangstraight, Spike Finial ⁽⁷⁾</p> <p>HSCN Clamp Style Horizontal Hangstraight, No Finial ⁽⁷⁾</p> <p>EZ Vertical Hangstraight, Large, "EZ" Mount ⁽⁷⁾</p>	<p>HSS 120° House Side Shield</p> <p>BLOC Back Light Optical Control</p>	<p>FDRB Fixed Dimming Resistor Board</p>	<p>UGMT Urban Gun Metal Textured</p> <p>UGM Urban Gun Metal Matte</p> <p>UBT Urban Bronze Textured</p> <p>UB Urban Bronze Matte</p> <p>USLT Urban Silver Textured</p> <p>USL Urban Silver Matte</p> <p>UWHT Urban White Textured</p> <p>UWH Urban White Matte</p> <p>BKT Black Textured</p> <p>CM Custom Match ⁽¹⁰⁾</p> <p>ABZT Architectural Medium Bronze Textured</p> <p>DBT Dark Bronze Textured</p> <p>OWGT Old World Gray Textured</p> <p>PGT Park Green Textured</p> <p>SI Swedish Iron</p> <p>VG Verde Green</p> <p>WHT White Textured</p>

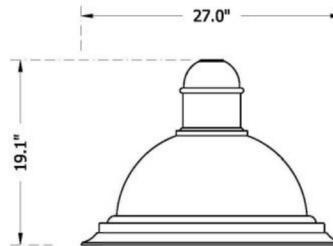
Notes:

7. Not for use with 1527LEDSM.
8. Not for use with T5 optic.

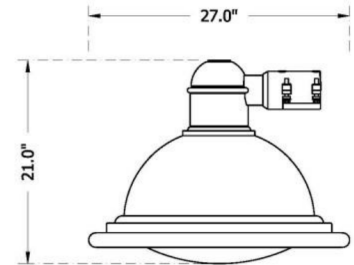
9. Not for use with R7.
10. Custom colors require upcharge.

Project Name _____ Qty _____

Type _____ Catalog / Part Number _____

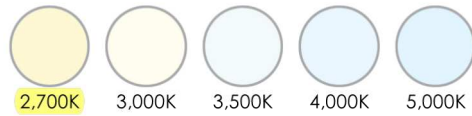


1527LED-F-FG



1527LEDSM-R-SG

CCT - Color Temperature (K)



7 Year Warranty



IP Rating



Certifications



Description

The 1527LED Omega™ is a decorative and energy efficient downlight fixtures with a spun aluminum bell styled dome. The luminaire has a gasketed hinged door for tool-less driver and LED access. Offered in a variety of mounting configurations, wattages, CCT's and distribution types makes this product the premier option for any Urban, Roadway or Area-Light application.

EPA: .93 (ft²) | WEIGHT: 38 LBS

Features

Mounting Configuration

- 1W: Wall Mount
- 2A: 2 Arm Mount @ 180°
- 3A: 3 Arms @ 120°
- 4A: 4 Arms @ 90°
- 2AM: 2 Arm Mid-Mount @ 180
- CH44: Chain Hung
- 1A: 1 Arm Mount
- 2A90: 2 Arm Mount @ 90°
- 3A90: 3 Arms @ 90°
- 1AM: 1 Arm Mid-Mount
- SH44: SH44 Stem Hung
- CAT: CAT Catenary

Optional Control Receptacle

R7: 7-Pin control receptacle only

Optional Control

- PE: Twist-Lock Photocontrol (120V-277V)
- PE4: Twist-Lock Photocontrol (347V-480V)
- SC: Shorting Cap
- PEC: Electronic Button Photocontrol (120V-277V)
- PEC4: Electronic Button Photocontrol (480V)

Optional Fuse

FHD: Double Fuse and Holder

Optional Hangstraight

- HSBS: Standard Horizontal Hangstraight, Spike Finial
- HSBN: Standard Horizontal Hangstraight, No Finial
- HSBH: Standard Horizontal Hangstraight, Ball Finial
- HSCB: Clamp Style Horizontal Hangstraight, Ball Finial
- HSCS: Clamp Style Horizontal Hangstraight, Spike Finial
- HSCN: Clamp Style Horizontal Hangstraight, No Finial
- EZ: Vertical Hangstraight, Large, "EZ" Mount

Optional House Side Shield

- HSS: 120° House Side Shield
- BLOC: Back Light Optical Control

Optional Fixed Dimming Resistor Board **FDRB:** Fixed Dimming Resistor Board

Physical

Fixture	1527LED: 1527LED 1527LEDSM: 1527LEDSM	
Shade Style	R: Round Edge	F: Flared Edge
Lens	FG: Flat Glass SG: Sag Glass FSG: Frosted Sag Glass SV1: Flat Soft Vue Light Diffused Acrylic SV2: Flat Soft Vue Moderate Diffused Acrylic SV4: Flat Soft Vue Maximum Diffused Acrylic	
Finish	UGMT: Urban Gun Metal Textured UB: Urban Bronze Matte USL: Urban Silver Matte UWH: Urban White Matte CM: Custom Match DBT: Dark Bronze Textured PGT: Park Green Textured VG: Verde Green	UGM: Urban Gun Metal Matte UBT: Urban Bronze Textured USLT: Urban Silver Textured UWHT: Urban White Textured BKT: Black Textured ABZT: Architectural Medium Bronze Textured OWGT: Old World Gray Textured SI: Swedish Iron WHT: White Textured

Light Source

LED	12L: 12 LEDs 32L: 32 LEDs	24L: 24 LEDs
CCT - Color Temperature (K)	27: 2,700K 35: 3,500K 50: 5,000K	30: 3,000K 40: 4,000K
Distribution Type	T2: Type 2 T4: Type 4	T3: Type 3 T5: Type 5

Electrical and control

Driver	MDL018: 120V-277V, 180mA MDL014: 120V-277V, 140mA	MDH018: 347V-480V, 180mA MDH014: 347V-480V, 140mA
---------------	--	--

Specifications

Serviceability	Tool-less access to the driver compartment allows for trouble free servicing of the LED Driver and Surge Suppressor. Easy access to service the lens in the field.
Comfortable Optics	SoftVue™ lens provides optimal visual comfort
DLC Listed	Some product combinations are listing with the DesignLights Consortium (DLC). Consult the factory or the DLC website for specific listings.
UL Listing	UL listed per UL1598 for Wet Locations and CSA 22.2 No. 250.0 for the US and Canada.
Electronic Driver	The LED driver shall be securely mounted inside the fixture, for optimized performance and longevity and shall be U.L. Recognized. It shall be supplied with a quick-disconnect electrical connector on the power supply, providing easy power connections and fixture installation. It shall have overload, overheat and short circuit protection, and have a DC voltage output, constant current design, 50/60HZ. It shall be supplied with line-ground, line-neutral and neutral-ground electrical surge protection in accordance with IEEE/ANSI C62.41.2 guidelines. It shall be a high efficiency driver with a THD less than 20% and a high power factor greater than .9. It shall be dimming capable using a 0-10v signal, consult factory for more information.
NightSky® Friendly	Night-Sky Compliant with a U0 BUG rating
IP Rating	IP65 rated
Finish	6 Stage Polyester Powdercoat paint system.
Urban Finish	Urban paint finishes are available in Sternberg Lighting's Urbanline products and create a modern, elegant aesthetic. Finishes are available in textured or matte
Traditional Finishes	Traditional paint finishes are available in Sternberg Lighting's Traditional product line. A range of colors help accent the decorative elements on the product. Finishes are available in textured or smooth.
Sternberg Select Finishes	Available with Sternberg Select Finishes in Verde Green, Swedish Iron, and Old World Gray Textured for a traditional aesthetic.
Warranty	7-year limited warranty (See Website for Terms and Conditions.)
LEDs	The luminaire shall use high output, high brightness LEDs. The LEDs are mounted to maximize thermal transfer to the heat sink surface. The LEDs shall be 100% recyclable; not contain lead, mercury or any other hazardous substances and shall be RoHS compliant. Lumen maintenance shall be determined in accordance with IESNA TM-21, based on LED manufacturer LM-80 test data of no less than 6,000 hours and in-situ testing of the luminaire by an NVLAP accredited Energy Efficient Lighting Products lab. The high-performance white LEDs will have a predicted lumen depreciation of approximately 100,000 hours with greater than 70% of initial output at 25°C. The high-brightness, high-output white LEDs shall be 4000K nominal (2700K, 3000K, 3500K or 5000K optional) correlated color temperature (CCT) with a 70 (minimum) color rendering index (CRI). Consult factory for custom CCT or CRI. The luminaire shall have a minimum _____ (see table) delivered initial lumens when operated at steady state with an average ambient temperature of 25°C (77°F). CCT Lumen Derate Values from 4,000K 2,700K (70+ CRI)=.92 3,000K (70+ CRI)=.95 3,500K (70+ CRI)=.97 5,000K (70+ CRI)=1.00
Optics	The luminaire shall be provided with individual, refractor type optics applied to each LED. The luminaire shall provide Type ____ (2, 3, 4 or 5) light distribution per the IESNA classifications. Testing shall be done in accordance with IESNA LM-79.
Backlight Optical Control	BLOC Optic (BLOC): An optional "Back Light Optical Control" shield can be provided at the factory. This is an internal optic level "House Side Shield" offering significantly reduced backlight and glare while maintaining the original design aesthetics of the luminaire. External House Side Shield (HSS): An optional external 120° House Side Shield helps control backlight. Spun aluminum panel painted to match fixture.
FDRB	10-step field adjustable dimming board. Includes step dimming options from 25%-100%. The unit is conformal coated and UL recognized for use in damp locations.

Photocontrols

Button Style: The photocontrol shall be mounted on the fixture and pre-wired to driver. The electronic button type photocontrol is instant on with a 5-10 second turn off, and shall turn on at 1.5 footcandles with a turn-off at 2-3 footcandles. See pole spec sheet for pole mounted version.

Twist-Lock Style (Hangstraight Mount): The photocontrol shall be mounted externally on the hangstraight and pre-wired to driver. The twist lock type photocontrol is instant on with a 3-6 second turn off, and shall turn on at 1.5 footcandles with a turn-off at 2-3 footcandles.

Twist-Lock Style (Roof Mount): The photocontrol shall be mounted on the roof and prewired to driver. The twist lock type photocontrol is instant on with a 3-6 second turn off, and shall turn on at 1.5 footcandles with a turnoff at 2-3 footcandles. Photocontrol is 120-277 volt.

Lumen Chart(s)

Tested with FG lens

Model #	T2 DELIVERED LUMENS	BUG	EFFICACY (LPW)	T3 DELIVERED LUMENS	BUG	EFFICACY (LPW)	T4 DELIVERED LUMENS	BUG	EFFICACY (LPW)	T5 DELIVERED LUMENS	BUG	EFFICACY (LPW)	WATTAGE
32L40T_-MDL018	18485	B3U0G3	120.0	17700	B3U0G3	114.9	17410	B3U0G3	113.1	18640	B4U0G2	121.0	154
32L30T_-MDL018	17625	B3U0G3	114.4	16875	B3U0G3	109.6	16600	B3U0G3	107.8	17770	B4U0G2	115.4	154
32L27T_-MDL018	15935	B2U0G2	103.5	15260	B3U0G3	99.1	15010	B2U0G2	97.5	16070	B3U0G2	104.4	154
32L40T_-MDL014	15190	B2U0G2	128.7	14640	B3U0G3	124.1	14310	B2U0G2	121.3	15405	B3U0G2	130.6	118
32L30T_-MDL014	14485	B2U0G2	122.8	13960	B3U0G3	118.3	13645	B2U0G2	115.6	14690	B3U0G2	124.5	118
32L27T_-MDL014	13095	B2U0G2	111.0	12620	B3U0G3	106.9	12335	B2U0G2	104.5	13280	B3U0G2	112.5	118
24L40T_-MDL018	14205	B2U0G2	121.4	13550	B3U0G3	115.8	13325	B2U0G2	113.9	14245	B3U0G2	121.8	117
24L30T_-MDL018	13545	B2U0G2	115.8	12920	B3U0G3	110.4	12705	B2U0G2	108.6	13580	B3U0G2	116.1	117
24L27T_-MDL018	12245	B2U0G2	104.7	11680	B2U0G2	99.8	11485	B2U0G2	98.2	12280	B3U0G2	105.0	117
24L40T_-MDL014	11350	B2U0G2	129.0	10900	B2U0G2	123.9	10650	B2U0G2	121.0	11445	B3U0G2	130.1	88
24L30T_-MDL014	10820	B2U0G2	123.0	10395	B2U0G2	118.1	10155	B2U0G2	115.4	10910	B3U0G2	124.0	88
24L27T_-MDL014	9785	B2U0G2	111.2	9395	B2U0G2	106.8	9180	B2U0G2	104.3	9865	B3U0G2	112.1	88
12L40T_-MDL018	7050	B1U0G1	117.5	6785	B2U0G2	113.1	6545	B1U0G2	109.1	7100	B3U0G1	118.3	60
12L30T_-MDL018	6720	B1U0G1	112.0	6470	B2U0G2	107.8	6240	B1U0G2	104.0	6770	B3U0G1	112.8	60
12L27T_-MDL018	6080	B1U0G1	101.3	5850	B2U0G2	97.5	5640	B1U0G2	94.0	6120	B3U0G1	102.0	60

Clamp Style Horizontal Hangstraight

To slip fit 8" long by 2-3/8" OD on horizontal tenon



Clamp Style Horizontal Hangstraight, Spike Finial (HSCS)



Clamp Style Horizontal Hangstraight, Ball Finial (HSCB)



Clamp Style Horizontal Hangstraight, No Finial (HSCN)

Standard Horizontal Hangstraight

To slip fit 4" long by 2-3/8" OD on horizontal tenon



Standard Horizontal Hangstraight, Spike Finial
(HSHS)



Standard Horizontal Hangstraight, Ball Finial (HSHB)



Standard Horizontal Hangstraight, No Finial (HSHN)

Vertical Hangstraight



"EZ" Vertical hangstraight (EZ)

Options



Button Photocell (PEC or PEC4)



7-Pin NEMA Twist-Lock Receptacle (R7)



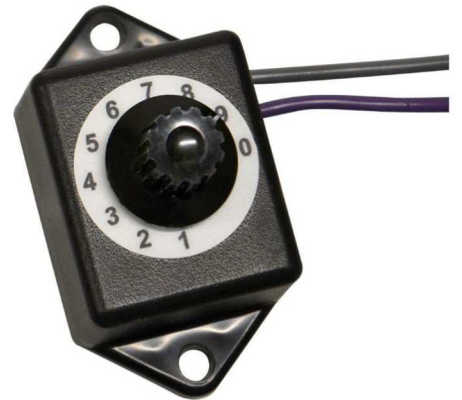
NEMA Twist-Lock Photocell (PE or PE4)



Double Fuse Holder & (2) 3A Fuses (FHD)



House Side Shield (HSS)



Fixed Dimming Resistor Board (FDRB)

How to order

Mounting Configuration	Drop Length (In Inches)	Fixture	Shade Style	LED	CCT - Color Temperature (K)
1W Wall Mount		1527LED 1527LED	R Round Edge	12L 12 LEDs	27 2,700K
1A 1 Arm Mount		1527LEDSM 1527LEDSM	F Flared Edge	24L 24 LEDs	30 3,000K
2A 2 Arm Mount @ 180°				32L 32 LEDs	35 3,500K
2A90 2 Arm Mount @ 90°					40 4,000K
3A 3 Arms @ 120°					50 5,000K
3A90 3 Arms @ 90°					
4A 4 Arms @ 90°					
1AM 1 Arm Mid-Mount					
2AM 2 Arm Mid-Mount @ 180					
SH44 SH44 Stem Hung					
CH44 Chain Hung					
CAT CAT Catenary					

How to order

Distribution Type	Driver	Lens	Optional Control Receptacle ⁽²⁾	Optional Control	Optional Fuse
T2 Type 2	MDL018 120V-277V, 180mA	FG Flat Glass	R7 7-Pin control receptacle only ⁽³⁾	PE Twist-Lock Photocontrol (120V-277V) ⁽⁴⁾ PE4 Twist-Lock Photocontrol (347V-480V) ⁽⁴⁾ SC Shorting Cap ⁽⁴⁾ PEC Electronic Button Photocontrol (120V-277V) PEC4 Electronic Button Photocontrol (480V)	FHD Double Fuse and Holder ⁽⁵⁾
T3 Type 3	MDH018 347V-480V, 180mA	SG Sag Glass			
T4 Type 4	MDL014 120V-277V, 140mA ⁽¹⁾	FSG Frosted Sag Glass			
T5 Type 5	MDH014 347V-480V, 140mA ⁽¹⁾	SV1 Flat Soft Vue Light Diffused Acrylic			
		SV2 Flat Soft Vue Moderate Diffused Acrylic			
		SV4 Flat Soft Vue Maximum Diffused Acrylic			

Notes:

- 1. 32L or 24L system only.
- 2. Not for use with FDRB.
- 3. Only available with HSH_, HSC_ & SM.
- 4. Requires control receptacle.
- 5. Ships loose for installation in base.

How to order

Optional Hangstraight	Optional House Side Shield ⁽⁷⁾	Optional Fixed Dimming Resistor Board ⁽⁸⁾	Finish
<p>HSHS Standard Horizontal Hangstraight, Spike Finial ⁽⁶⁾</p> <p>HSHN Standard Horizontal Hangstraight, No Finial ⁽⁶⁾</p> <p>HSHB Standard Horizontal Hangstraight, Ball Finial ⁽⁶⁾</p> <p>HSCB Clamp Style Horizontal Hangstraight, Ball Finial ⁽⁶⁾</p> <p>HSCS Clamp Style Horizontal Hangstraight, Spike Finial ⁽⁶⁾</p> <p>HSCN Clamp Style Horizontal Hangstraight, No Finial ⁽⁶⁾</p> <p>EZ Vertical Hangstraight, Large, "EZ" Mount ⁽⁶⁾</p>	<p>HSS 120° House Side Shield</p> <p>BLOC Back Light Optical Control</p>	<p>FDRB Fixed Dimming Resistor Board</p>	<p>UGMT Urban Gun Metal Textured</p> <p>UGM Urban Gun Metal Matte</p> <p>UBT Urban Bronze Textured</p> <p>UB Urban Bronze Matte</p> <p>USLT Urban Silver Textured</p> <p>USL Urban Silver Matte</p> <p>UWHT Urban White Textured</p> <p>UWH Urban White Matte</p> <p>BKT Black Textured</p> <p>CM Custom Match ⁽⁹⁾</p> <p>ABZT Architectural Medium Bronze Textured</p> <p>DBT Dark Bronze Textured</p> <p>OWGT Old World Gray Textured</p> <p>PGT Park Green Textured</p> <p>SI Swedish Iron</p> <p>VG Verde Green</p> <p>WHT White Textured</p>

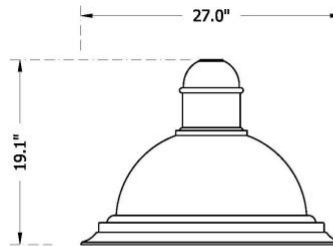
Notes:

6. Not for use with 1527LEDSM.
7. Not for use with TS optic.

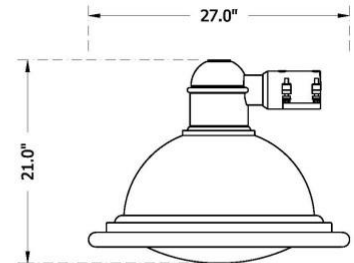
8. Not for use with R7.
9. Custom colors require upcharge.

Project Name _____ Qty _____

Type _____ Catalog / Part Number _____



1527LED-F-FG



1527LEDSM-R-SG

CCT - Color Temp (K)



7 Year Warranty



IP Rating



Certifications



Description

The 1527LED Omega™ is a decorative and energy efficient downlight fixtures with a spun aluminum bell styled dome. The luminaire has a gasketed hinged door for tool-less driver and LED access. Offered in a variety of mounting configurations, wattages, CCT's and distribution types makes this product the premier option for any Urban, Roadway or Area-Light application.

EPA: .93 (ft²) | WEIGHT: 38 LBS

Features

Mounting Configuration

- | | |
|-----------------------------------|--------------------------------|
| 1W: Wall Mount | 1A: 1 Arm Mount |
| 2A: 2 Arm Mount @ 180° | 2A90: 2 Arm Mount @ 90° |
| 3A: 3 Arms @ 120° | 3A90: 3 Arms @ 90° |
| 4A: 4 Arms @ 90° | 1AM: 1 Arm Mid-Mount |
| 2AM: 2 Arm Mid-Mount @180° | SH44: Stem Hung |
| CH44: Chain Hung | CAT: Catenary |

Optional Control Receptacle

R7: 7-Pin control receptacle only

Optional Control

- PE:** Twist-Lock Photocontrol (120V-277V)
- PE4:** Twist-Lock Photocontrol (347V-480V)
- SC:** Shorting Cap
- PEC:** Electronic Button Photocontrol (120V-277V)
- PEC4:** Electronic Button Photocontrol (480V)

Optional Fuse

FHD: Double Fuse and Holder

Optional Hangstraight

- HSNS:** Standard Horizontal Hangstraight, Spike Finial
- HSNN:** Standard Horizontal Hangstraight, No Finial
- HSNB:** Standard Horizontal Hangstraight, Ball Finial
- HSCB:** Clamp Style Horizontal Hangstraight, Ball Finial
- HSCS:** Clamp Style Horizontal Hangstraight, Spike Finial
- HSCN:** Clamp Style Horizontal Hangstraight, No Finial
- EZ:** Vertical Hangstraight, Large, "EZ" Mount

Optional House Side Shield

- HSS:** 120° House Side Shield
- BLOC:** Back Light Optical Control

Optional Fixed Dimming Resistor Board **FDRB:** Fixed Dimming Resistor Board

Physical

Fixture	1527LED: 1527LED 1527LEDSM: 1527LEDSM	
Shade Style	R: Round Edge	F: Flared Edge
Lens	FG: Flat Glass SG: Sag Glass FSG: Frosted Sag Glass SV1: Flat Soft Vue Light Diffused Acrylic SV2: Flat Soft Vue Moderate Diffused Acrylic SV4: Flat Soft Vue Maximum Diffused Acrylic	
Finish	UGMT: Urban Gun Metal Textured UB: Urban Bronze Matte USL: Urban Silver Matte UWH: Urban White Matte CM: Custom Match DBT: Dark Bronze Textured PGT: Park Green Textured VG: Verde Green	UGM: Urban Gun Metal Matte UBT: Urban Bronze Textured USLT: Urban Silver Textured UWHT: Urban White Textured BKT: Black Textured ABZT: Architectural Medium Bronze Textured OWGT: Old World Gray Textured SI: Swedish Iron WHT: White Textured

Light Source

LED	12L: 12 LEDs 32L: 32 LEDs	24L: 24 LEDs
CCT - Color Temp (K)	27: 2,700K 35: 3,500K 50: 5,000K	30: 3,000K 40: 4,000K
Distribution Type	T2: Type 2 T3: Type 3 T4: Type 4 T5: Type 5	

Electrical and control

Driver	MDL018: 120V-277V, 180mA MDL014: 120V-277V, 140mA	MDH018: 347V-480V, 180mA MDH014: 347V-480V, 140mA
---------------	--	--

Specifications

Serviceability	Tool-less access to the driver compartment allows for trouble free servicing of the LED Driver and Surge Suppressor. Easy access to service the lens in the field.
Comfortable Optics	SoftVue™ lens provides optimal visual comfort
DLC Listed	Not all product variations listed on this page are DLC qualified. Visit https://qpl.designlights.org to confirm qualification, or consult factory.
UL Listing	UL listed per UL1598 for Wet Locations and CSA 22.2 No. 250.0 for the US and Canada.

Electronic Driver	The LED driver shall be securely mounted inside the fixture, for optimized performance and longevity and shall be U.L. Recognized. It shall be supplied with a quick-disconnect electrical connector on the power supply, providing easy power connections and fixture installation. It shall have overload, overheat and short circuit protection, and have a DC voltage output, constant current design, 50/60HZ. It shall be supplied with line-ground, line-neutral and neutral-ground electrical surge protection in accordance with IEEE/ANSI C62.41.2 guidelines. It shall be a high efficiency driver with a THD less than 20% and a high power factor greater than .9. It shall be dimming capable using a 0-10v signal, consult factory for more information.
NightSky® Friendly	Dark sky compliant optics with a U0 BUG rating for specific configurations.
IP Rating	IP65 rated
Finish	6 Stage Polyester Powdercoat paint system.
Urban Finish	Urban paint finishes are available in Sternberg Lighting's Urbanline products and create a modern, elegant aesthetic. Finishes are available in textured or matte.
Traditional Finishes	Traditional paint finishes are available in Sternberg Lighting's Traditional product line. A range of colors help accent the decorative elements on the product. Finishes are available in textured or smooth.
Sternberg Select Finishes	Available with Sternberg Select Finishes in Verde Green, Swedish Iron, and Old World Gray Textured for a traditional aesthetic.
Warranty	7-year limited warranty (See Website for Terms and Conditions.)
LEDs	<p>The luminaire shall be fully shielded and use high output, high brightness LEDs in a downward position to maximize efficiency. The LEDs are mounted to maximize thermal transfer to the heat sink surface. The LEDs shall be 100% recyclable; not contain lead, mercury or any other hazardous substances and shall be RoHS compliant. Lumen maintenance shall be determined in accordance with IESNA TM-21, based on LED manufacturer LM-80 test data of no less than 6,000 hours and in-situ testing of the luminaire by an NVLAP accredited Energy Efficient Lighting Products lab. The high-performance white LEDs will have a predicted lumen depreciation of approximately 100,000 hours with greater than 70% of initial output at 25°C. The high brightness, high-output white LEDs shall be 4000K nominal (2700K, 3000K, 3500K or 5000K optional) correlated color temperature (CCT) with a 70 (minimum) color rendering index (CRI). Consult factory for custom CCT or CRI. The luminaire shall have a minimum _____ (see table) delivered initial lumens when operated at steady state with an average ambient temperature of 25°C (77°F).</p> <p>CCT Lumen Derate Values from 4,000K</p> <p>2,700K (70+ CRI)=.92 3,000K (70+ CRI)=.95 3,500K (70+ CRI)=.97 5,000K (70+ CRI)=1.00</p>
Optics	The luminaire shall be provided with individual, refractor type optics applied to each LED. The luminaire shall provide Type ____ (2, 3, 4 or 5) light distribution per the IESNA classifications. Testing shall be done in accordance with IESNA LM-79.
Backlight Optical Control	<p>BLOC Optic (BLOC): An optional "Back Light Optical Control" shield can be provided at the factory. This is an internal optic level "House Side Shield" offering significantly reduced backlight and glare while maintaining the original design aesthetics of the luminaire.</p> <p>External House Side Shield (HSS): An optional external 120° House Side Shield helps control backlight. Spun aluminum panel painted to match fixture.</p>
FDRB	Optional 10-step field adjustable dimming board. Includes step dimming options from 25%-100%. The unit is conformal coated and UL recognized for use in damp locations.
Photocontrols	<p>Button Photocell: The photocontrol shall be mounted on the fixture and pre-wired to driver. The electronic button type photocontrol is instant on with a 5-10 second turn off, and shall turn on at 1.5 footcandles with a turn-off at 2-3 footcandles. See pole spec sheet for pole mounted version.</p> <p>Twist-Lock Style (Hangstraight Mount): The photocontrol shall be mounted externally on the hangstraight and pre-wired to driver. The twist lock type photocontrol is instant on with a 3-6 second turn off, and shall turn on at 1.5 footcandles with a turn-off at 2-3 footcandles.</p> <p>Twist-Lock Style (Roof Mount): The photocontrol shall be mounted on the roof and prewired to driver. The twist lock type photocontrol is instant on with a 3-6 second turn off, and shall turn on at 1.5 footcandles with a turnoff at 2-3 footcandles. Photocontrol is 120-277 volt.</p>

Lumen Chart(s)

Tested with FG lens

Model #	T2 DELIVERED LUMENS	BUG	EFFICACY (LPW)	T3 DELIVERED LUMENS	BUG	EFFICACY (LPW)	T4 DELIVERED LUMENS	BUG	EFFICACY (LPW)	T5 DELIVERED LUMENS	BUG	EFFICACY (LPW)	WATTAGE
32L40T_-MDL018	18485	B3U0G3	120.0	17700	B3U0G3	114.9	17410	B3U0G3	113.1	18640	B4U0G2	121.0	154
32L30T_-MDL018	17625	B3U0G3	114.4	16875	B3U0G3	109.6	16600	B3U0G3	107.8	17770	B4U0G2	115.4	154
32L27T_-MDL018	15935	B2U0G2	103.5	15260	B3U0G3	99.1	15010	B2U0G2	97.5	16070	B3U0G2	104.4	154
32L40T_-MDL014	15190	B2U0G2	128.7	14640	B3U0G3	124.1	14310	B2U0G2	121.3	15405	B3U0G2	130.6	118
32L30T_-MDL014	14485	B2U0G2	122.8	13960	B3U0G3	118.3	13645	B2U0G2	115.6	14690	B3U0G2	124.5	118
32L27T_-MDL014	13095	B2U0G2	111.0	12620	B3U0G3	106.9	12335	B2U0G2	104.5	13280	B3U0G2	112.5	118
24L40T_-MDL018	14205	B2U0G2	121.4	13550	B3U0G3	115.8	13325	B2U0G2	113.9	14245	B3U0G2	121.8	117
24L30T_-MDL018	13545	B2U0G2	115.8	12920	B3U0G3	110.4	12705	B2U0G2	108.6	13580	B3U0G2	116.1	117
24L27T_-MDL018	12245	B2U0G2	104.7	11680	B2U0G2	99.8	11485	B2U0G2	98.2	12280	B3U0G2	105.0	117
24L40T_-MDL014	11350	B2U0G2	129.0	10900	B2U0G2	123.9	10650	B2U0G2	121.0	11445	B3U0G2	130.1	88
24L30T_-MDL014	10820	B2U0G2	123.0	10395	B2U0G2	118.1	10155	B2U0G2	115.4	10910	B3U0G2	124.0	88
24L27T_-MDL014	9785	B2U0G2	111.2	9395	B2U0G2	106.8	9180	B2U0G2	104.3	9865	B3U0G2	112.1	88
12L40T_-MDL018	7050	B1U0G1	117.5	6785	B2U0G2	113.1	6545	B1U0G2	109.1	7100	B3U0G1	118.3	60
12L30T_-MDL018	6720	B1U0G1	112.0	6470	B2U0G2	107.8	6240	B1U0G2	104.0	6770	B3U0G1	112.8	60
12L27T_-MDL018	6080	B1U0G1	101.3	5850	B2U0G2	97.5	5640	B1U0G2	94.0	6120	B3U0G1	102.0	60

Clamp Style Horizontal Hangstraight

To slip fit 8" long by 2-3/8" OD on horizontal tenon



Clamp Style Horizontal Hangstraight, Spike Finial (HSCS)



Clamp Style Horizontal Hangstraight, Ball Finial (HSCB)



Clamp Style Horizontal Hangstraight, No Finial (HSCN)

Standard Horizontal Hangstraight

To slip fit 4" long by 2-3/8" OD on horizontal tenon



Standard Horizontal Hangstraight, Spike Finial (HSHS)



Standard Horizontal Hangstraight, Ball Finial (HSHB)



Standard Horizontal Hangstraight, No Finial (HSHN)

Vertical Hangstraight



"EZ" Vertical hangstraight (EZ)

Options



Button Photocell (**PEC or PEC4**)



7-Pin NEMA Twist-Lock Receptacle (**R7**)



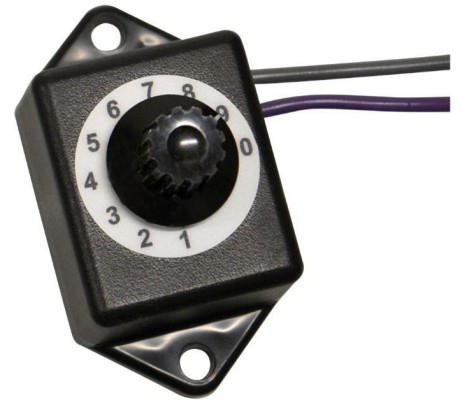
NEMA Twist-Lock Photocell (**PE or PE4**)



Double Fuse Holder & (2) 3A Fuses (**FHD**)



House Side Shield (**HSS**)



Fixed Dimming Resistor Board (**FDRB**)

How to Order

Mounting Configuration	Overall Drop Length (In Inches) (1)	Fixture	Shade Style	LED	CCT - Color Temp (K)
1W Wall Mount 1A 1 Arm Mount 2A 2 Arm Mount @ 180° 2A90 2 Arm Mount @ 90° 3A 3 Arms @ 120° 3A90 3 Arms @ 90° 4A 4 Arms @ 90° 1AM 1 Arm Mid-Mount 2AM 2 Arm Mid-Mount @180° SH44 Stem Hung CH44 Chain Hung CAT Catenary		1527LED 1527LED 1527LEDSM 1527LEDSM	R Round Edge F Flared Edge	12L 12 LEDs 24L 24 LEDs 32L 32 LEDs	27 2,700K 30 3,000K 35 3,500K 40 4,000K 50 5,000K

Notes:

1. Required field for Stem or Chain Mounting Configuration.

How to Order

Distribution Type	Driver	Lens	Optional Control Receptacle ⁽³⁾ ⁽⁵⁾	Optional Control	Optional Fuse
T2 Type 2	MDL018 120V-277V, 180mA	FG Flat Glass	R7 7-Pin control receptacle only ⁽⁴⁾	PE Twist-Lock Photocontrol (120V-277V) ⁽⁶⁾ PE4 Twist-Lock Photocontrol (347V-480V) ⁽⁶⁾ SC Shorting Cap ⁽⁶⁾ PEC Electronic Button Photocontrol (120V-277V) PEC4 Electronic Button Photocontrol (480V)	FHD Double Fuse and Holder
T3 Type 3	MDH018 347V-480V, 180mA	SG Sag Glass			
T4 Type 4	MDL014 120V-277V, 140mA ⁽²⁾	FSG Frosted Sag Glass			
T5 Type 5	MDH014 347V-480V, 140mA ⁽²⁾	SV1 Flat Soft Vue Light Diffused Acrylic			
		SV2 Flat Soft Vue Moderate Diffused Acrylic			
		SV4 Flat Soft Vue Maximum Diffused Acrylic			

Notes:

- 2. 32L or 24L system only.
- 3. Not for use with FDRB.
- 4. Only available with HSH_, HSC_, & SM.

- 5. Consult factory for use with a wireless control node
- 6. Requires control receptacle.

How to Order

Optional Hangstraight	Optional House Side Shield ⁽⁸⁾	Optional Fixed Dimming Resistor Board ⁽⁹⁾	Finish
<p>HSHS Standard Horizontal Hangstraight, Spike Finial ⁽⁷⁾</p> <p>HSHN Standard Horizontal Hangstraight, No Finial ⁽⁷⁾</p> <p>HSHB Standard Horizontal Hangstraight, Ball Finial ⁽⁷⁾</p> <p>HSCB Clamp Style Horizontal Hangstraight, Ball Finial ⁽⁷⁾</p> <p>HSCS Clamp Style Horizontal Hangstraight, Spike Finial ⁽⁷⁾</p> <p>HSCN Clamp Style Horizontal Hangstraight, No Finial ⁽⁷⁾</p> <p>EZ Vertical Hangstraight, Large, "EZ" Mount ⁽⁷⁾</p>	<p>HSS 120° House Side Shield</p> <p>BLOC Back Light Optical Control</p>	<p>FDRB Fixed Dimming Resistor Board</p>	<p>UGMT Urban Gun Metal Textured</p> <p>UGM Urban Gun Metal Matte</p> <p>UBT Urban Bronze Textured</p> <p>UB Urban Bronze Matte</p> <p>USLT Urban Silver Textured</p> <p>USL Urban Silver Matte</p> <p>UWHT Urban White Textured</p> <p>UWH Urban White Matte</p> <p>BKT Black Textured</p> <p>CM Custom Match ⁽¹⁰⁾</p> <p>ABZT Architectural Medium Bronze Textured</p> <p>DBT Dark Bronze Textured</p> <p>OWGT Old World Gray Textured</p> <p>PGT Park Green Textured</p> <p>SI Swedish Iron</p> <p>VG Verde Green</p> <p>WHT White Textured</p>

Notes:

7. Not for use with 1527LEDSM.
8. Not for use with T5 optic.

9. Not for use with R7.
10. Custom colors require upcharge.

Project Name FSP PARKING GARAGE Qty _____
 Type B, B1, C, E Catalog / Part Number _____



5 Year Warranty



Certifications



Description

These round poles are offered with with low profile base covers. The base is made of heavy wall, 356 alloy cast aluminum. It will have a 3/4" thick floor cast as an integral part of the base. It will have a cast anchor bolt cover designed with a curved relief. The shaft shall be double circumferentially welded internally and externally to the base for added strength.

Physical

Pole Model	450: 10.5" Ø x 3" Tall LU900: 19" Ø x 9" Tall	550: 12" Ø x 4" Tall SL900: 18.5" Ø x 6" Tall
Shafts	T4: 4"-3" Tapered Smooth FP4: 4" Straight Fluted T54: 5"-4" Tapered Smooth FP5: 5" Round Straight Fluted	P4: 4" Straight Smooth T5: 5"-3" Tapered Smooth P5: 5" Round Straight Smooth
Height (in feet)	8', 10', 12', 14', 16', 18', 20', 22', 24', 26', 28'	
Wall Thickness	.125: 1/8" Wall Thickness .188: 3/16" Wall Thickness .250: 1/4" Wall Thickness	
Optional Post Center Cap	BCC: Ball Center Cap SCC: Spike Center Cap SSCC: Side Spike Center Cap PCC: Plate Center Cap, Flat	FCC: Finial Center Cap TFCC: Tall Finial Center Cap RCC: Round Center Cap
Optional Burial	DB4: Direct Burial mounting style pole, with 4' direct burial section (or advise other length) HXB: HXB - Helix Base mounting style pole	
Optional Vibration Damper	VD: Internal Vibration Damper	
Optional Receptacle	GFI LPIUC: 120V, 15 Amp Duplex GFCI receptacles with a low-profile in-use cover GFI IUC: 120V, 15 Amp Duplex GFCI receptacles with a standard in-use cover USB LPIUC: 120V, 15 Amp Duplex USB/ Receptacle combo with a low-profile in-use cover (NON-GFCI)	

Optional Flag Pole Holder	FH: Cast Aluminum flag holder mount, for use with 1" diameter flag pole
Optional Banner Arms	<p>SBA: Single Banner Arm, "PM" style mount</p> <p>DBA: Double Banner Arms, "PM" style mount</p> <p>SBAR: Single Banner Arm and Ring, for triangle banners, "PM" style mount</p> <p>HSBA: Single Banner Arm, HUB mount style mount</p> <p>HDDBA: Double Banner Arms, HUB mount style mount</p> <p>DBBA6: Double Banner Arms, Break-Away style, to break with 60MPH wind gust</p> <p>DBBA9: Double Banner Arms, Break-Away style, to break with 90MPH wind gust</p> <p>C4SBA: Single Banner Arm, Clamp-Style mount, for 4" diameter poles</p> <p>C5SBA: Single Banner Arm, Clamp-Style mount, for 5" diameter poles</p> <p>C42BA: Two Banner Arms at 180°, Clamp-Style mount, for 4" diameter poles</p> <p>C52BA: Two Banner Arms at 180°, Clamp-Style mount, for 5" diameter poles</p>
Banner Width (If Applicable)	<p>18W: 20" Long Banner arm</p> <p>24W: 26" Long Banner arm</p> <p>30W: 32" Long Banner arm</p> <p>36W: 38" Long Banner arm</p> <p>CSTM: Custom Sized Banner setup</p>
Break-Away Banner Size (If Applicable)	<p>18x36: 20" Long Banner arm, 36" tall center to center</p> <p>18x72: 20" Long Banner arm, 72" tall center to center</p> <p>24x48: 26" Long Banner arm, 48" tall center to center</p> <p>30x36: 32" Long Banner arm, 36" tall center to center</p> <p>24x60: 26" Long Banner arm, 60" tall center to center</p> <p>CSTM: Custom Sized Banner setup</p>
Optional Planter Arms	<p>DHPA: Double Hooked Planter Arm</p> <p>SHPA: Single Hooked Planter Arm</p> <p>DSPA: Double Stepped Planter Arm</p> <p>SSPA: Single Stepped Planter Arm</p> <p>PA478: Cast aluminum decorative planter arm</p>
Optional Drip Irrigation	DIS: Drip Irrigation System
Optional Sign Arms	<p>SA78: Small cast aluminum decorative sign arm, with 24" long channel for blade sign by others</p> <p>SA478: Large cast aluminum decorative sign arm, with 24" long channel for blade sign by others</p> <p>SABA: Banner arm style sign arm, with 24" long channel for blade sign by others</p>
Optional Speaker Hub	<p>SH0.5: Speaker Hub Coupling, 1/2"-14 NPS</p> <p>SH0.75: Speaker Hub Coupling, 3/4"-14 NPS</p> <p>SH1.0: Speaker Hub Coupling, 1"-11.5 NPS</p> <p>SH1.5: Speaker Hub Coupling, 1-1/2"-11.5 NPS</p> <p>SH2.0: Speaker Hub Coupling, 2"-11.5 NPS</p>
Optional Sign Bracket	SB: Sign Bracket, vertically mounted on pole shaft
Optional Steel Wreath Hook	WHK: Steel Wreath Hook

Finish	<p>BKT: Black Textured WHT: White Textured PGT: Park Green Textured ABZT: Architectural Medium Bronze Textured DBT: Dark Bronze Textured VG: Verde Green SI: Swedish Iron OWGT: Old World Gray Textured UGMT: Urban Gun Metal Textured UGM: Urban Gun Metal Matte UBT: Urban Bronze Textured UB: Urban Bronze Matte USLT: Urban Silver Textured USL: Urban Silver Matte UWHT: Urban White Textured UWH: Urban White Matte CM: Custom Match OI: Old Iron RT: Rust WBR: Weathered Brown CD: Cedar WBK: Weathered Black TT: Two Tone</p>
---------------	--

Electrical and control

Optional Photocell	<p>PCD: Electronic Button Photocontrol, mounted on an access door (120V-277V) PCD4: Electronic Button Photocontrol, mounted on an access door (480V)</p>
---------------------------	---

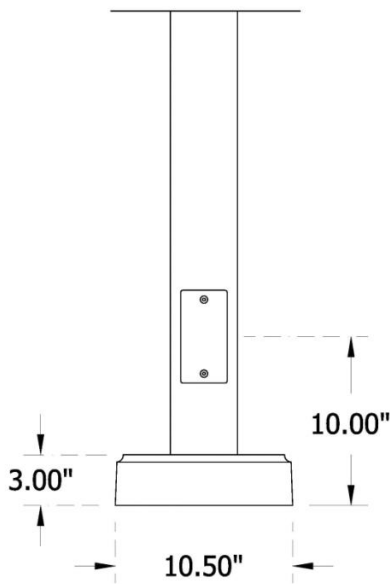
Specifications

Construction	The base shall be made of heavy wall, 356 alloy cast aluminum with a 3/4" thick floor. It shall have a mechanically attached cast aluminum anchor bolt cover in a variety of styles.
Tenon	Standard tenon size to be 3" OD x 3" tall. Consult the Sales Department for additional sizes.
Tapered Smooth Shaft	The tapered smooth shaft shall be made of ASTM 6063 extruded aluminum and tempered to a T6 condition.
Straight Smooth Shaft - Round	The straight round shaft shall be made of ASTM 6061 extruded aluminum and tempered to a T6 condition.
Straight Fluted Shaft	The straight fluted shaft will have a 12 Flat Flute profile and shall be made of ASTM 6061 extruded aluminum and tempered to a T6 condition.
Installation	<p>Above the base cover, a hand-hole with a 2.75"x5.5" door shall be provided for wiring access, secured with stainless steel hardware. Post will be provided with a grounding stud mounted inside the shaft, opposite the door.</p> <p>4" Anchor Base: Slotted base with a recommended 7.5" bolt circle. Slot allows for 6.75" (MIN) and 8.25" (MAX) diameter. Base accommodates four 1/2" diameter, hot-dipped galvanized "L" type anchor bolts that shall be provided with the post for anchorage.</p> <p>5" Anchor Base: Slotted base with a recommended 8.75" bolt circle. Slot allows for 7.5" (MIN) and 9.13" (MAX) diameter. Base accommodates four 3/4" diameter, hot-dipped galvanized "L" type anchor bolts that shall be provided with the post for anchorage.</p> <p>(OPTIONAL): 4' direct burial portion of pole shaft extending below pole base. Includes "Slipping" base style which has set screws at the neck to tighten the base down to the pole shaft. Includes anti-rotational rod and (2) wireway holes on direct burial portion.</p>
Vibration Damper	<p>OPTIONAL Internal canister style vibration damper comes pre-installed from the factory and can help limit pole vibrations. REQUIRED on pole heights 26' and taller.</p>

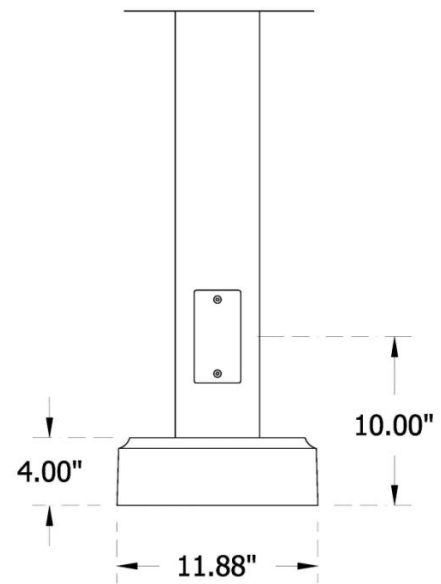
<p>Receptacle</p>	<p>Optional 120V duplex 15A GFI (GFI LPIUC) or NON-GFI/5A USB combo duplex receptacle (USB LPIUC) installed in proprietary "Low-Profile" box with a lockable In-Use cover (lock not included).</p> <p>Optional 120V duplex 15A GFI duplex receptacle installed in standard J-box with a lockable In-Use cover (lock not included).</p>
<p>Photocontrols</p>	<p>Button Photocell (On Plate): The photocontrol shall be mounted on a plate and installed on the pole shaft. The electronic button type photocontrol is instant on with a 5-10 second turn off, and shall turn on at 1.5 footcandles with a turn-off at 2-3 footcandles.</p>
<p>Banner Arm(s)</p>	<p>"PM" style banner arms use a cast aluminum mount welded to the pole shaft. The removable banner arm includes a flange that attaches to cast mount via 2 stainless steel hex head bolts and a removable cast aluminum ball cap. 1/2" pipe (.84" OD) is used for banner arm lengths up to and including 20" long. 3/4" pipe (1.05" OD) is used for banner arm lengths 21" to 30"</p> <ul style="list-style-type: none"> •The actual banner width should be 2" smaller than the attachment arm , so an 18" wide banner is assumed to be used with a 20" long arm. All Banners by Others <p>(SBA) - Single Banner Arm (DBA) - Double Banner Arm (SBAR) - Single Banner Arm and Ring</p> <p>"HUB" style banner arms use an aluminum female coupling welded to the pole shaft. The removable banner arm includes a nut and bolt for a "cotter pin" style attachment to hub and a removable cast aluminum ball cap. 3/4" pipe (1.05" OD) is used for banner arm lengths up to and including 30" long. 1" pipe (1.315" OD) is used for banner arm lengths 31" to 38"</p> <ul style="list-style-type: none"> •The actual banner width should be 2" smaller than the attachment arm , so an 18" wide banner is assumed to be used with a 20" long arm. All Banners by Others <p>(HSBA) - Hub Style Single Banner Arm (HDBA) - Hub Style Double Banner Arm</p> <p>"CLAMP" style banner arms include a decorative 2-piece cast aluminum pole shaft attachment clamp with stainless steel hardware and a removable cast aluminum ball cap. They are for use on 4" (C4) or 5" (C5) straight shafts only. 3/4" pipe (1.05" OD) is used for 60 MPH break speed (BDBA6). 1" pipe (1.315" OD) is used for 90 MPH break speed (BDBA9)</p> <ul style="list-style-type: none"> •The actual banner width should be 2" smaller than the attachment arm , so an 18" wide banner is assumed to be used with a 20" long arm. All Banners by Others •This style is offered in standard sized, consult factory for custom sizes •Standard sizes include: 20"x36", 20"x72", 26"x48", 32"x36", 26"x60" <p>(HSBA) - Hub Style Single Banner Arm (HDBA) - Hub Style Double Banner Arm</p> <p>"BREAK-AWAY" style banner arms use an aluminum female coupling welded to the pole shaft. The removable banner arm includes a nut and bolt for a "cotter pin" style attachment to hub and a removable cast aluminum ball cap. Engineered with a 60MPH maintained break speed (BDBA6), or a 90MPH maintained break speed (BDBA9). Includes an air-craft cable to hold broken section after incident. 3/4" pipe (1.05" OD) is used for 60 MPH break speed (BDBA6). 1" pipe (1.315" OD) is used for 90 MPH break speed (BDBA9)</p> <ul style="list-style-type: none"> •The actual banner width should be 2" smaller than the attachment arm , so an 18" wide banner is assumed to be used with a 20" long arm. All Banners by Others •This style is offered in standard sized, consult factory for custom sizes •Standard sizes include: 20"x36", 20"x72", 26"x48", 32"x36", 26"x60" <p>(HSBA) - Hub Style Single Banner Arm (HDBA) - Hub Style Double Banner Arm</p>
<p>Drip Irrigation System</p>	<p>Optional concealed irrigation system efficiently waters flora in hanging baskets. The system includes 1" PVC pipe, 1/4" OD clear flexible tubing and a cord grip. The PVC acts as a conduit to separate the water from the power. The 1/4" tubing carries water from the supply line to the flora. The cord grip seals the system, stopping rainwater and debris from entering the pole. This low-maintenance feature can help reduce upkeep costs and conserve water. Plants, planter baskets and water supply system are by others.</p>

Finish	6 Stage Polyester Powdercoat paint system.
Traditional Finishes	Traditional paint finishes are available in Sternberg Lighting's Traditional product line. A range of colors help accent the decorative elements on the product. Finishes are available in textured or smooth.
Urban Finish	Urban paint finishes are available in Sternberg Lighting's Urbanline products and create a modern, elegant aesthetic. Finishes are available in textured or matte.
Sternberg Select Finishes	Available with Sternberg Select Finishes in Verde Green, Swedish Iron, and Old World Gray Textured for a traditional aesthetic.
UL Listing	UL listed per UL1598 for the US and Canada.
Warranty	5-year limited warranty (See Website for Terms and Conditions)

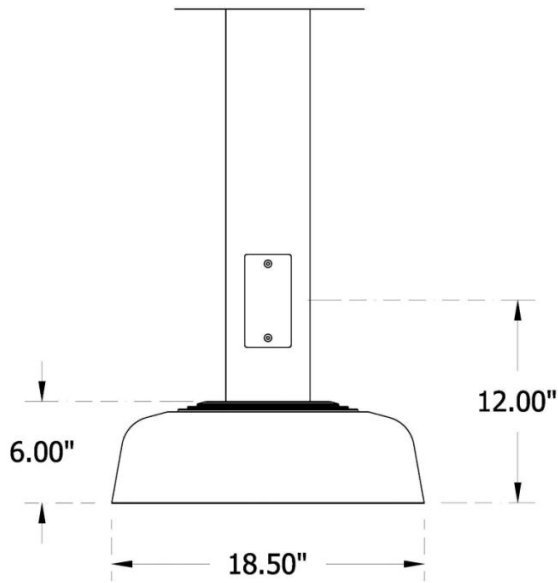
Dimensions



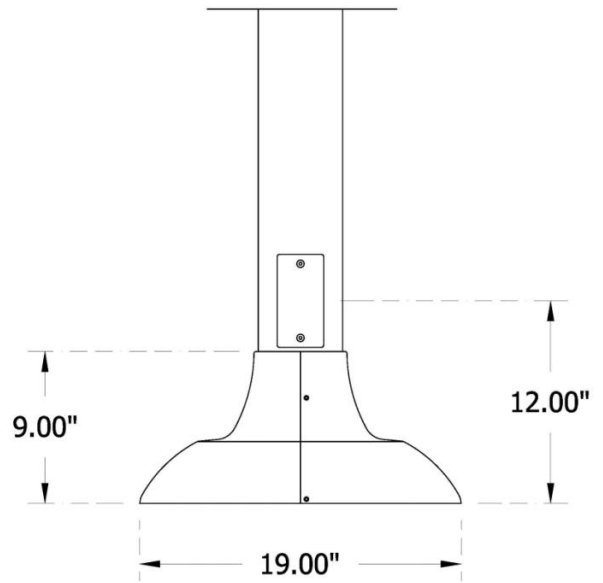
Lexington Base Cover (450)



Concord Base Cover (550)

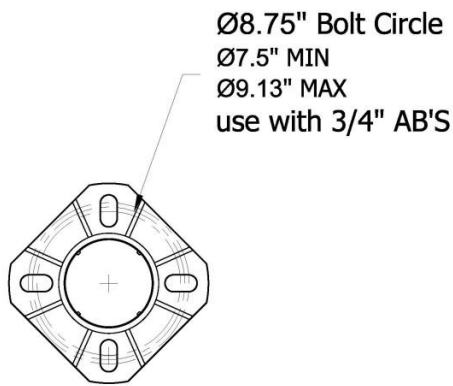


Solana Base Cover (SL900)



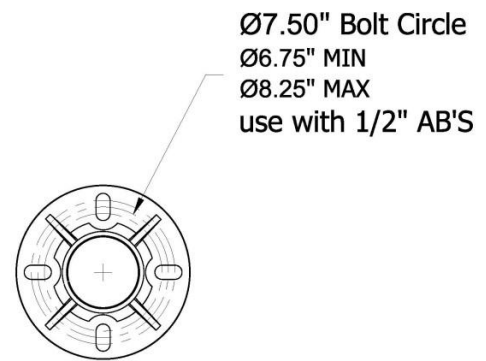
Lunaria Base Cover (LU900)

Anchor Base Detail



ACCESS DOOR

5" Anchor Base



ACCESS DOOR

4" Anchor Base

Options



Button Photocell On Door (PCD)



Double Banner Arms (DBA)



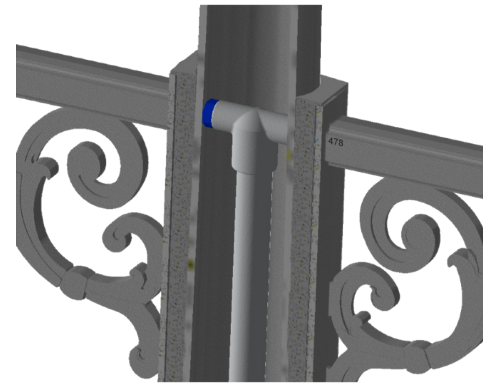
Single Banner Arm and Ring (SBAR)



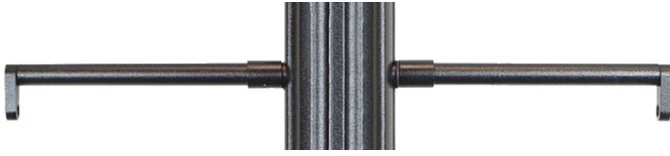
Hub Style Banner Arm, Single Arm (HSBA)



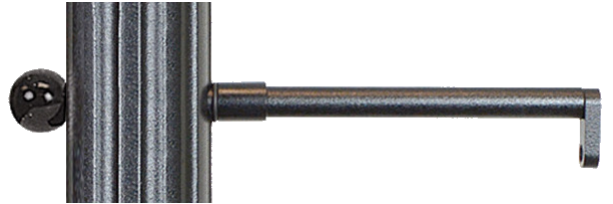
Break-Away Banner Arm Detail (BDBA6 & BDBA9)



Drip Irrigation System (DIS)



Double Hooked Planter Arm (DHPA)



Single Hooked Planter Arm (SHPA)



Double Stepped Planter Arm (DSPA)



Single Stepped Planter Arm (SSPA)



Clamp on Banner Arm, Two arms @ 180° (C_2BA)



Clamp on Banner Arm, One arm (C_SBA)



Low-Profile In-Use Cover
(GFI LPIUC/USB LPIUC)



Standard In-Use Cover (GFI IUC)



Flag Holder (FH)
(For 1" diameter poles)



Sign Arm Banner Arm (SABA) (24" Channel)



Sign Arm, "78" style (SA78) (24" Channel)



Decorative Planter Arm, "478" style (PA478)



Speaker Hub (SH_)



Sign Bracket (SB)



Wreath Hook (WHK)

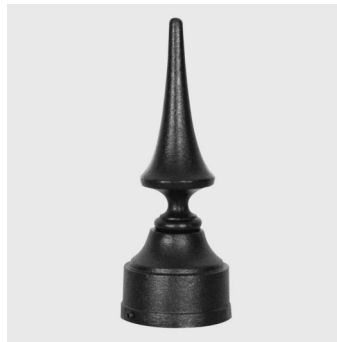
Post Caps



Flower Center Cap (FCC)



Ball Center Cap (BCC)



Spike Center Cap (SCC)



Side Spiked Center Cap (SSCC)



Tall Finial Center Cap (TFCC)



Plate Center Cap, Round Flat (PCC)



Round Center Cap (RCC)

EPA Chart(s)

EPA Chart Based on AASHTO 2009 - EPA values expressed in square feet - Consult factory for other heights

Pole Height	90 MPH	100 MPH	110 MPH	120 MPH	130 MPH	140 MPH	150 MPH
(T4) - Tapered Smooth Shaft, 4"-3" - .125 Wall Thickness							
8	3.89	2.99	2.32	1.91	1.59	1.34	1.14
10	2.77	2.04	1.49	1.20	0.97	0.80	0.66
12	1.92	1.31	0.85	0.64			
14	1.24	0.71					
(T4) - Tapered Smooth Shaft, 4"-3" - .188 Wall Thickness							
8	5.95	4.66	3.70	3.06	2.57	2.19	1.88
10	4.44	3.39	2.61	2.14	1.77	1.49	1.26
12	3.34	2.45	1.79	1.44	1.17	0.96	0.79
14	2.46	1.70	1.13	0.87	0.67	0.52	
16	1.74	1.07	0.57				
(T4) - Tapered Smooth Shaft, 4"-3" - .250 Wall Thickness							
10	5.93	4.60	3.61	2.97	2.49	2.10	1.80
12	4.59	3.47	2.63	2.14	1.77	1.47	1.24
14	3.55	2.58	1.85	1.48	1.19	0.97	0.79
16	2.70	1.84	1.21	0.92	0.70	0.54	
18	1.98	1.21	0.64				
(P4) - Straight Smooth Shaft, 4" - .125 Wall Thickness							
8	7.03	5.56	4.54	3.77	3.18	2.71	2.33
10	5.27	4.09	3.31	2.73	2.28	1.93	1.64
12	3.97	3.00	2.40	1.95	1.60	1.34	1.12
14	2.95	2.14	1.67	1.32	1.06	0.86	0.70
16	2.11	1.42	1.06	0.80	0.60		
(P4) - Straight Smooth Shaft, 4" - .188 Wall Thickness							
10	8.10	6.38	5.20	4.32	3.63	3.09	2.66
12	6.36	4.93	3.99	3.29	2.75	2.32	1.98
14	5.01	3.81	3.05	2.48	2.05	1.71	1.44
16	3.93	2.89	2.27	1.82	1.47	1.21	1.00
18	3.01	2.11	1.61	1.25	0.98	0.77	0.61
(P4) - Straight Smooth Shaft, 4" - .250 Wall Thickness							
12	8.47	6.65	5.41	4.48	3.76	3.19	2.74
14	6.84	5.29	4.27	3.51	2.92	2.47	2.10
16	5.54	4.19	3.35	2.72	2.24	1.87	1.57
18	4.45	3.27	2.58	2.06	1.67	1.37	1.13
20	3.52	2.48	1.91	1.49	1.17	0.93	0.74
(FP4) - Straight Fluted Shaft, 4" - .125 Wall Thickness							
8	6.94	5.42	4.30	3.44	2.77	2.25	1.82
10	5.16	3.92	3.00	2.30	1.76	1.33	0.99
12	3.83	2.79	2.02	1.43	0.97	0.61	
14	2.79	1.89	1.22	0.71			
16	1.93	1.13	0.54				
(FP4) - Straight Fluted Shaft, 4" - .188 Wall Thickness							
10	7.98	6.21	4.89	3.89	3.12	2.50	2.00
12	6.22	4.72	3.61	2.77	2.12	1.60	1.18
14	4.85	3.56	2.60	1.87	1.31	0.86	
16	3.74	2.60	1.76	1.12	0.62		
18	2.80	1.78	1.03				

Pole Height	90 MPH	100 MPH	110 MPH	120 MPH	130 MPH	140 MPH	150 MPH
(T5) - Tapered Smooth Shaft, 5"-3" - .125 Wall Thickness							
8	6.65	5.25	4.29	3.56	3.00	2.55	2.20
10	4.95	3.83	3.10	2.55	2.13	1.79	1.53
12	3.70	2.78	2.21	1.79	1.47	1.22	1.02
14	2.71	1.94	1.51	1.19	0.95	0.76	0.61
16	1.90	1.24	0.91	0.68	0.50		
(T5) - Tapered Smooth Shaft, 5"-3" - .188 Wall Thickness							
10	7.72	6.08	4.96	4.11	3.46	2.94	2.53
12	6.03	4.67	3.78	3.11	2.59	2.19	1.86
14	4.73	3.58	2.86	2.32	1.91	1.59	1.34
16	3.67	2.68	2.10	1.68	1.35	1.10	0.90
18	2.78	1.92	1.46	1.12	0.87	0.68	0.53
(T5) - Tapered Smooth Shaft, 5"-3" - .250 Wall Thickness							
14	6.56	5.06	4.08	3.35	2.79	2.35	2.00
16	5.28	3.99	3.18	2.58	2.12	1.77	1.48
18	4.22	3.09	2.42	1.93	1.56	1.27	1.05
20	3.31	2.31	1.77	1.37	1.07	0.84	0.66
22	2.51	1.62	1.19	0.87	0.63		
(T54) - Tapered Smooth Shaft, 5"-4" - .125 Wall Thickness							
8	6.60	5.28	4.31	3.58	3.02	2.57	2.22
10	4.88	3.87	3.14	2.58	2.16	1.82	1.55
12	3.62	2.83	2.26	1.83	1.51	1.25	1.05
14	2.61	2.00	1.56	1.23	0.99	0.80	0.65
16	1.79	1.31	0.97	0.73	0.55		
(T54) - Tapered Smooth Shaft, 5"-4" - .188 Wall Thickness							
12	5.95	4.72	3.82	3.15	2.63	2.22	1.89
14	4.63	3.64	2.91	2.37	1.95	1.63	1.38
16	3.56	2.75	2.16	1.73	1.40	1.14	0.94
18	2.66	2.00	1.53	1.18	0.93	0.73	0.57
20	1.87	1.34	0.97	0.71	0.51		
(T54) - Tapered Smooth Shaft, 5"-4" - .250 Wall Thickness							
14	6.46	5.12	4.14	3.40	2.83	2.39	2.03
16	5.17	4.05	3.24	2.64	2.17	1.81	1.52
18	4.09	3.16	2.49	1.99	1.61	1.32	1.09
20	3.17	2.40	1.84	1.44	1.13	0.90	0.71
22	2.36	1.72	1.27	0.94	0.70	0.52	
(P5) - Straight Smooth Shaft, 5" - .188 Wall Thickness							
14	9.18	7.32	5.96	4.93	4.14	3.52	3.02
16	7.58	6.01	4.86	4.00	3.33	2.81	2.40
18	6.26	4.92	3.95	3.22	2.66	2.23	1.88
20	5.14	4.00	3.17	2.56	2.09	1.72	1.44
22	4.17	3.19	2.49	1.97	1.58	1.28	1.04
24	3.31	2.48	1.89	1.46	1.13	0.88	0.69
(P5) - Straight Smooth Shaft, 5" - .250 Wall Thickness							
18	8.68	6.89	5.57	4.58	3.83	3.23	2.76
20	7.33	5.77	4.64	3.79	3.14	2.63	2.23
22	6.17	4.81	3.83	3.10	2.54	2.11	1.76
24	5.15	3.97	3.12	2.49	2.01	1.64	1.35
26	4.24	3.22	2.48	1.94	1.54	1.23	0.98
28	3.42	2.53	1.90	1.45	1.10	0.84	0.64

Pole Height	90 MPH	100 MPH	110 MPH	120 MPH	130 MPH	140 MPH	150 MPH
(FP5) - Straight Fluted Shaft, 5" - .188 Wall Thickness							
12	10.68	8.25	6.46	5.10	4.04	3.20	2.52
14	8.56	6.47	4.92	3.75	2.83	2.10	1.52
16	6.87	5.03	3.67	2.63	1.82	1.18	0.67
18	5.46	3.81	2.60	1.67	0.95		
20	4.24	2.76	1.66	0.83			
(FP5) - Straight Fluted Shaft, 5" - .250 Wall Thickness							
14	11.65	8.97	6.99	5.48	4.31	3.38	2.63
16	9.59	7.23	5.49	4.16	3.13	2.31	1.65
18	7.88	5.78	4.22	3.04	2.12	1.38	0.79
20	6.44	4.54	3.13	2.06	1.23	0.57	
22	5.18	3.45	2.16	1.19			

How to Order

Pole Model	Shafts	Height (in feet)	Wall Thickness	Optional Post Center Cap	Optional Burial	Optional Vibration Damper ⁽⁶⁾
450 10.5" Ø x 3" Tall ⁽¹⁾	T4 4"-3" Tapered Smooth	08ft 8'	.125 1/8" Wall Thickness	BCC Ball Center Cap	DB4 Direct Burial mounting style pole, with 4' direct burial section (or advise other length)	VD Internal Vibration Damper
550 12" Ø x 4" Tall ⁽²⁾	P4 4" Straight Smooth	10ft 10'	.188 3/16" Wall Thickness	FCC Finial Center Cap		
LU900 19" Ø x 9" Tall ⁽³⁾	FP4 4" Straight Fluted ⁽⁴⁾	12ft 12'	.250 1/4" Wall Thickness	SCC Spike Center Cap	HXB HXB - Helix Base mounting style pole	
SL900 18.5" Ø x 6" Tall ⁽³⁾	T5 5"-3" Tapered Smooth	14ft 14'		TFCC Tall Finial Center Cap		
	T54 5"-4" Tapered Smooth	16ft 16'		SSCC Side Spike Center Cap		
	P5 5" Round Straight Smooth ⁽⁵⁾	18ft 18'		RCC Round Center Cap		
	FP5 5" Round Straight Fluted ⁽⁵⁾	20ft 20'		PCC Plate Center Cap, Flat		
		22ft 22'				
		24ft 24'				
		26ft 26'				
	28ft 28'					

Notes:

- For use with T4, P4 and FP4 shafts only.
- For use with T5, T54, P5 and FP5 shafts only.
- For use with smooth shafts only (Not for use with FLUTED shafts).
- Not available in .250 wall.
- Not available in .125 wall.
- Required on pole heights 26' and taller.

How to Order

Optional Photocell	Optional Receptacle	Optional Flag Pole Holder	Optional Banner Arms ⁽⁷⁾	Banner Width (If Applicable) ⁽⁹⁾ ⁽¹⁰⁾ ⁽¹¹⁾	Break-Away Banner Size (If Applicable) ⁽¹¹⁾ ⁽¹²⁾	Optional Planter Arms
<p>PCD Electronic Button Photocontrol, mounted on an access door (120V-277V)</p> <p>PCD4 Electronic Button Photocontrol, mounted on an access door (480V)</p>	<p>GFI LPIUC 120V, 15 Amp Duplex GFCI receptacles with a low-profile in-use cover</p> <p>GFI IUC 120V, 15 Amp Duplex GFCI receptacles with a standard in-use cover</p> <p>USB LPIUC 120V, 15 Amp Duplex USB/ Receptacle combo with a low-profile in-use cover (NON-GFCI)</p>	<p>FH Cast Aluminum flag holder mount, for use with 1" diameter flag pole</p>	<p>SBA Single Banner Arm, "PM" style mount</p> <p>DBA Double Banner Arms, "PM" style mount</p> <p>SBAR Single Banner Arm and Ring, for triangle banners, "PM" style mount</p> <p>HSBA Single Banner Arm, HUB mount style mount</p> <p>HDBA Double Banner Arms, HUB mount style mount</p> <p>BDBA6 Double Banner Arms, Break-Away style, to break with 60MPH wind gust</p> <p>BDBA9 Double Banner Arms, Break-Away style, to break with 90MPH wind gust</p> <p>C4SBA Single Banner Arm, Clamp-Style mount, for 4" diameter poles ⁽⁸⁾</p> <p>C5SBA Single Banner Arm, Clamp-Style mount, for 5" diameter poles</p> <p>C42BA Two Banner Arms at 180°, Clamp-Style mount, for 4" diameter poles ⁽⁸⁾</p> <p>C52BA Two Banner Arms at 180°, Clamp-Style mount, for 5" diameter poles</p>	<p>18W 20" Long Banner arm</p> <p>24W 26" Long Banner arm</p> <p>30W 32" Long Banner arm</p> <p>36W 38" Long Banner arm</p> <p>CSTM Custom Sized Banner setup</p>	<p>18x36 20" Long Banner arm, 36" tall center to center</p> <p>18x72 20" Long Banner arm, 72" tall center to center</p> <p>24x48 26" Long Banner arm, 48" tall center to center</p> <p>30x36 32" Long Banner arm, 36" tall center to center</p> <p>24x60 26" Long Banner arm, 60" tall center to center</p> <p>CSTM Custom Sized Banner setup</p>	<p>DHPA Double Hooked Planter Arm</p> <p>SHPA Single Hooked Planter Arm</p> <p>DSPA Double Stepped Planter Arm</p> <p>SSPA Single Stepped Planter Arm</p> <p>PA478 Cast aluminum decorative planter arm</p>

Notes:

- 7. Consult EPA chart for compatibility
- 8. For use with FP4 or P4 shaft only.
- 9. Only required if a NON-Break Away style banner arm is selected
- 10. Height to be advised
- 11. Banner width should be 2" smaller than the banner arm, so an 18" wide banner is assumed to be used with a 20" long arm. Banners by Others.
- 12. Only required if a Break-Away style banner arm is selected

How to Order

Optional Drip Irrigation ⁽¹³⁾	Optional Sign Arms	Optional Speaker Hub	Optional Sign Bracket ⁽¹⁴⁾	Optional Sign Bracket (Length in inches) ⁽¹⁵⁾	Optional Steel Wreath Hook	Finish
<p>DIS Drip Irrigation System</p>	<p>SA78 Small cast aluminum decorative sign arm, with 24" long channel for blade sign by others</p> <p>SA478 Large cast aluminum decorative sign arm, with 24" long channel for blade sign by others</p> <p>SABA Banner arm style sign arm, with 24" long channel for blade sign by others</p>	<p>SH0.5 Speaker Hub Coupling, 1/2"-14 NPS</p> <p>SH0.75 Speaker Hub Coupling, 3/4"-14 NPS</p> <p>SH1.0 Speaker Hub Coupling, 1"-11.5 NPS</p> <p>SH1.5 Speaker Hub Coupling, 1-1/2"-11.5 NPS</p> <p>SH2.0 Speaker Hub Coupling, 2"-11.5 NPS</p>	<p>SB Sign Bracket, vertically mounted on pole shaft</p>		<p>WHK Steel Wreath Hook</p>	<p>BKT Black Textured ⁽¹⁶⁾</p> <p>WHT White Textured ⁽¹⁶⁾</p> <p>PGT Park Green Textured ⁽¹⁶⁾</p> <p>ABZT Architectural Medium Bronze Textured ⁽¹⁶⁾</p> <p>DBT Dark Bronze Textured ⁽¹⁶⁾</p> <p>VG Verde Green</p> <p>SI Swedish Iron</p> <p>OWGT Old World Gray Textured</p> <p>UGMT Urban Gun Metal Textured</p> <p>UGM Urban Gun Metal Matte</p> <p>UBT Urban Bronze Textured</p> <p>UB Urban Bronze Matte</p> <p>USLT Urban Silver Textured</p> <p>USL Urban Silver Matte</p> <p>UWHT Urban White Textured</p> <p>UWH Urban White Matte</p> <p>CM Custom Match ⁽¹⁷⁾</p> <p>OI Old Iron ⁽¹⁷⁾</p> <p>RT Rust ⁽¹⁷⁾</p> <p>WBR Weathered Brown ⁽¹⁷⁾</p> <p>CD Cedar ⁽¹⁷⁾</p> <p>WBK Weathered Black ⁽¹⁷⁾</p> <p>TT Two Tone ⁽¹⁷⁾</p>

Notes:

- 13. Requires planter arm
- 14. Advise Length in next field.
- 15. Bracket should be 2 inches shorter than the sign/frame.

- 16. Smooth finishes are available upon request.
- 17. Custom colors require upcharge.