

PANERA BREAD

Light Fixture Specification

ITEM#: EXT10

EXTERIOR STRING LIGHT

Revision Date: 04.18.19

APPROVED MANUFACTURER:	Dolan Hospitality
VENDOR MODEL#:	Dolan #31664; (Original Manuf. Jasco #616937)
DIMENSIONS:	48'-0"W x 9"H; Linkable up to 350 ft (6 strings max.); 24 LED heads per 48ft; heads 2'-0" O.C.
ELECTRICAL:	23.4 Max. Fixture Wattage; 120 Voltage Input
BULB TYPE:	2700K; LED Integrated Bulbs (included)
BEAM SPREAD:	N/A
FINISHES & FIXTURE NOTES:	Impact resistant clear acrylic non-removable LED Lamp; Black finish
ACCESSORIES:	AV Poles & Lighting: #AVPL-RSS-3" Pole
LISTING:	Wet Location
ENERGY STAR:	No
TITLE 24:	No





Dolan Hospitality
 26 South Hanford St.
 Seattle, WA 98134, USA
 Toll Free Ph: 888-506-7383
 Toll Free Fax: 866-268-1967
 info@dolanhospitality.com

	MFR#:	616937
	DESCRIPTION:	LED String Light-24 Lamps, 48 feet in length
	DIMENSIONS:	48 feet long and hang down 9" ; 24 LED heads, 2ft O.C.
	CERTIFICATION:	
	WET RATED:	YES
	TITLE 24:	NO
	DARK SKY:	NO
	FIXTURE COLOR:	BLACK
	SHADE MATERIAL:	Impact Resistant Clear Acrylic-Non removable
	CORD:	48'
	FASTENERS USED:	May hang at each lamps location
	WARRANTY:	3 YEARS
	COUNTRY OF ORIGIN:	CHINA
	BOX SIZE:	L9"xW9"x H18"/ L228mm x W228mm x H457mm
	QTY PER CARTON:	1
	QTY PER MASTER PACK:	1
	ITEM WEIGHT(GROSS):	11.8 Lbs
ITEM WEIGHT(NET):	11 Lbs	
COMMENTS:		
	Plug on end, Linkable up to 350 feet, 6 strings max lamps are non removable or replaceable	
	BULB:	Integrated LED .96 Watt each, 23 Watt total string
	SOCKET TYPE:	LED Non Removable module
	WATTAGE:	N/A
	MAX WATTAGE STICKER	N/A
	VOLTAGE:	120V
	HERTZ:	N/A
	KELVIN TEMP:	2700 Kelvin
	BULBS INCLUDED:	Yes



LIGHTOLIER

by Signify

Downlighting

Flat Downlight Select

4" and 6" round



Lightolier LED Flat Downlight Select provides an easy and quick downlight solution without the traditional frame and reflector. Perfect for installation in low plenum and existing shallow space ceilings. The CCT selector feature makes it easy to choose CCT at the time of installation.

Project: _____

Location: _____

Cat.No: _____

Type: _____

Lamps: _____ Qty: _____

Notes: _____

Fixture

example: FD4R4CCT

Family	Size	CCT	
FD	<input type="text"/>	<input type="text"/>	<input type="text"/>
FD Flat Downlight	4R 4-inch Round	4CCT	2700K
	6R 6-inch Round		3000K
			4000K
			5000K

Accessories

example: FD4NCP

Family	Model	
FD	<input type="text"/>	<input type="text"/>
FD Flat Downlight	4NCP	4" NC Plate
	6NCP	6" NC Plate
	10EC	10 ft Extension Cable
	4TBK	4" Black Trim fascia
	6TBK	6" Black Trim fascia
	4TBN	4" Brushed Nickel Trim fascia
6TBN	6" Brushed Nickel Trim fascia	

Features

- Flange:** aluminum alloy, powder coating in white (RAL9003)
- Lens:** Diffuser is used for smooth and diffused light pattern.
- Junction Box:** steel, 4-1/8"x3-1/2"x1-2/9" (105mm*88mm*31mm). Clip attached on the side of the J-box to connect with fixture or new construction plate to meet NEC (National Electric Code). J-box also has key holes on the side for mounting on joist (see page 2).
- Connector:** locking power connection is used to connect J-box and fixture. Standard length of the connection is 11-4/5"(300mm).
- Ceiling cutout:** installation template on adhesive backed label is not provided.
4" round: 4 1/3" (110mm) diameter.
6" round: 6 2/9" (158mm) diameter.
- Gasket:** foam gasket supplied with fixture.

Electrical

Electronic power supply:
 RoHS compliant.*
 isolated driver, Grounding Class 2 Power Unit.
 Remote power supply can only accommodate one LED module and cannot be shared with other LED module.
 Fixture can be through wired.
Dimming: Compatible for ELV/TRIAC (120V) dimmers.
 Philips SR150LED120 TRIAC (100%-1%)
 Leviton IPI06 TRIAC (100%-1%)
 Leviton 6615P ELV (100%-5%)
 Lutron DVELV-300P ELV(100%-1%)
 Lutron NLV1000 TRIAC (100%-1%)
 Lutron PD-6WCL Wireless (100%-1%)

Labels

cULus listed (UL 1598) for wet locations (covered ceiling only). IC rated for direct contact with thermal insulation.
 AirSeal for minimal air leakage.
 ENERGY STAR® certified.
 Title 24 compliant (JAB).

Warranty

Lifetime: Expected lifetime 50,000 hours and backed by a 5-year warranty (visit signify.com/warranties for details).

	Lumen output	Input voltage	Input freq	Max. input current	Max. input power	Max. THD	Power factor	CRI
4" Round	700lm	120V	60Hz	0.10A	11W	15%	0.9	90
6" Round	900lm	120V	60Hz	0.125A	13.5W	15%	0.9	90

* Restrictions on Hazardous Substances (RoHS) is a European directive (2002/95/EC) designed to limit the content of 6 substances [lead, mercury, cadmium, hexavalent chromium, polybrominated biphenyls (PBB), and polybrominated diphenyl ethers (PBDE)] in electrical and electronic products. For products used in North America compliance to RoHS is voluntary and self-certified.

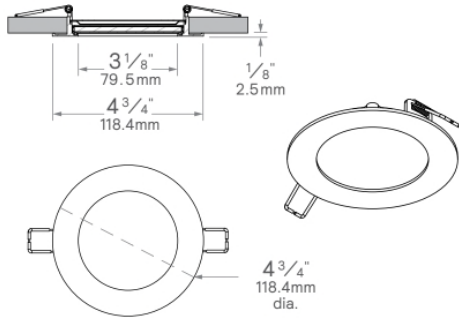


Flat Downlight Select LED

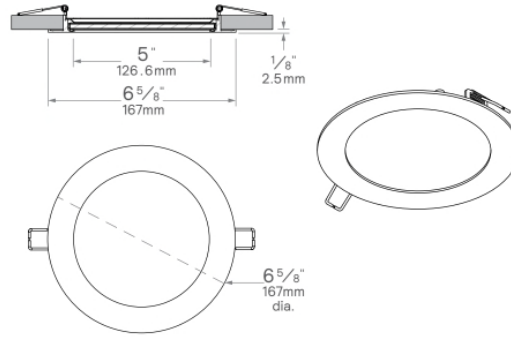
4" and 6" aperture recessed downlight

Dimensions:

Flat Downlight 4"

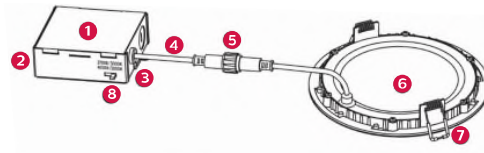


Flat Downlight 6"



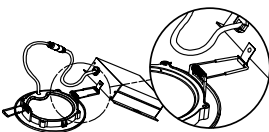
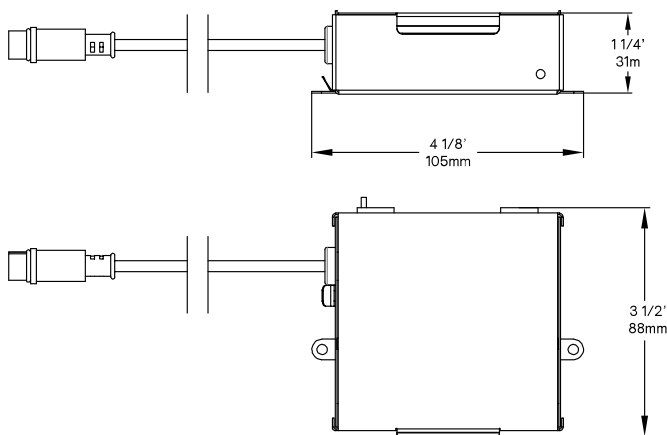
Components

1. Electrical Box with knockouts
2. Mounting keyhole
3. Remodel NEC* clip
4. 11.8"(0.3m) cord
5. Locking power connector
6. Integrated LED Luminaire
7. Spring clip for easy mounting
8. CCT selector



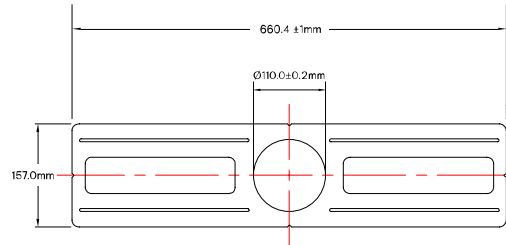
*NEC = National Electric Code

Junction box

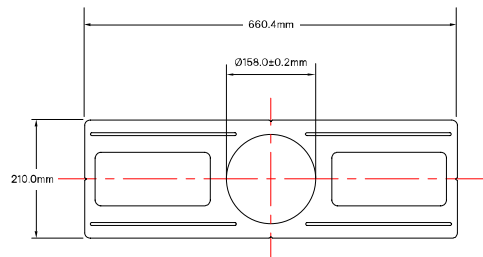


Remodeler applications:
 attach junction box clip
 to installation spring to
 assure NEC compliance.

4-inch NC plate



6-inch NC plate



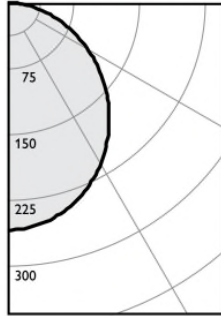


Flat Downlight Select LED

4" and 6" aperture recessed downlight

FDL 4" Round 700lm 90 2700K, 3000K, 4000K & 5000K 120V

Candela Curve



Fixture: **FD4R4CCT**

Output lumens: 700 lms
 Input watts: 11 W
 CRI: 90 CRI
 CCT¹: 2700K
 3000K
 4000K
 5000K
 Spacing Crit.: 1.2

Zonal summary

Zone	Lumens	%Luminaire
0-30	198	28.3%
0-40	320	45.7%
0-60	555	79.3%
0-90	700	100.0%

Angle	Mean CP	Lumens
0	259	24
5	258	
10	254	69
15	246	
20	237	
25	225	104
30	212	
35	196	123
40	179	
45	161	125
50	143	
55	124	111
60	104	
65	84	83
70	65	
75	46	49
80	28	
85	11	12
90	0	

Single unit data

Height to lighted plane	Initial center beam foot-candles	Beam diameter (ft)*
5'	10	6.0'
6'	7	7.2'
7'	5	8.4'
8'	4	9.6'
9'	3	10.8'

* Beam diameter is where foot-candles drop to 50% of maximum.

Multiple unit data - RCR 2

Spacing on center	Initial center beam foot-candles	Watts per sq. ft.
5'	28.0	0.49
6'	19.0	0.32
7'	13.0	0.23
8'	11.0	0.19
9'	9.0	0.15

38' x 38' x 10' Room, Workplane 2.5' above floor, 80/50/20% Reflectances

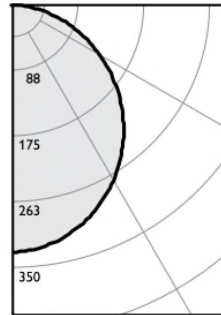
Efficacy: **63.6lm/w**
Report#: 9290022700

Coefficients of utilization

Ceiling	80%				70%		50%		30%		0%	
	70	50	30	10	50	10	50	10	50	10	0	
Wall	Zonal cavity method - Effective floor reflectance = 20%											
RCR	Zonal cavity method - Effective floor reflectance = 20%											
Room Cavity Ratio	0	119	119	119	119	116	116	111	111	106	106	100
1	109	104	99	95	101	94	97	91	93	88	83	83
2	99	90	83	77	88	76	85	75	81	73	69	69
3	90	79	71	64	77	63	74	62	72	61	58	58
4	82	70	61	54	69	54	66	53	64	52	49	49
5	75	62	53	47	61	46	59	46	57	45	43	43
6	70	56	47	41	55	40	53	40	52	40	37	37
7	65	51	42	36	50	36	48	35	47	35	33	33
8	60	46	38	32	46	32	44	32	43	31	29	29
9	56	43	34	29	42	29	41	28	40	28	26	26
10	53	39	31	26	39	26	38	26	37	26	24	24

FDL 6" Round 700lm 90 2700K, 3000K, 4000K & 5000K 120V

Candela Curve



Fixture: **FD6R4CCT**

Output lumens: 900 lms
 Input watts: 13 W
 CRI: 90 CRI
 CCT¹: 2700K
 3000K
 4000K
 5000K
 Spacing Crit.: 1.2

Zonal summary

Zone	Lumens	%Luminaire
0-30	251	27.9%
0-40	408	45.3%
0-60	712	79.1%
0-90	900	100.0%

Angle	Mean CP	Lumens
0	330	28
5	327	
10	321	80
15	313	
20	301	
25	287	122
30	270	
35	251	147
40	230	
45	208	121
50	185	
55	160	68
60	135	
65	110	40
70	85	
75	60	23
80	36	
85	9	6
90	0	

Single unit data

Height to lighted plane	Initial center beam foot-candles	Beam diameter (ft)*
5'	13	6.0'
6'	9	7.2'
7'	7	8.4'
8'	5	9.6'
9'	4	10.8'

* Beam diameter is where foot-candles drop to 50% of maximum.

Multiple unit data - RCR 2

Spacing on center	Initial center beam foot-candles	Watts per sq. ft.
5'	36.0	0.58
6'	24.0	0.38
7'	17.0	0.27
8'	14.0	0.23
9'	11.0	0.18

38' x 38' x 10' Room, Workplane 2.5' above floor, 80/50/20% Reflectances

Efficacy: **69.2lm/w**
Report#: 9290022706

Coefficients of utilization

Ceiling	80%				70%		50%		30%		0%	
	70	50	30	10	50	10	50	10	50	10	0	
Wall	Zonal cavity method - Effective floor reflectance = 20%											
RCR	Zonal cavity method - Effective floor reflectance = 20%											
Room Cavity Ratio	0	119	119	119	119	116	116	111	111	106	106	100
1	109	104	99	95	101	94	97	91	93	88	83	83
2	99	90	83	77	88	76	85	75	81	73	69	69
3	90	79	71	64	77	63	74	62	72	61	58	58
4	82	70	61	54	69	54	66	53	64	52	49	49
5	75	62	53	47	61	46	59	46	57	45	43	43
6	70	56	47	41	55	40	53	40	52	40	37	37
7	65	51	42	36	50	36	48	35	47	35	33	33
8	60	46	38	32	46	32	44	32	43	31	29	29
9	56	43	34	29	42	29	41	28	40	28	26	26
10	53	39	31	26	39	26	38	26	37	26	24	24

1. Correlated Color Temperature within specs as defined in ANSI/NEMA ANSLG C78.377-2008: Specifications for the Chromaticity of Solid State Lighting Products.
 2. Tested using absolute photometry as specified in LM79: IESNA Approved Method for the Electrical and Photometric Measurements of Solid-State Lighting Products.



© 2020 Signify Holding. All rights reserved. The information provided herein is subject to change, without notice. Signify does not give any representation or warranty as to the accuracy or completeness of the information included herein and shall not be liable for any action in reliance thereon. The information presented in this document is not intended as any commercial offer and does not form part of any quotation or contract, unless otherwise agreed by Signify.

Signify North America Corporation
 200 Franklin Square Drive,
 Somerset, NJ 08873
 Telephone 855-486-2216

Signify Canada Ltd.
 281 Hillmount Road,
 Markham, ON, Canada L6C 2S3
 Telephone 800-668-9008

All trademarks are owned by Signify Holding or their respective owners.

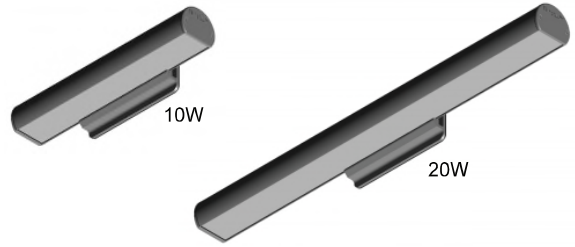


EMLED SERIES EUE

Mullion Mount Outdoor Emergency Egress Lighting



PROJECT: _____
 FIXTURE TYPE: _____
 LOCATION: _____
 CONTACT/PHONE: _____



PRODUCT DESCRIPTION

Linear LED outdoor egress with both emergency lighting and night lighting function. The EUE series is designed to mount directly on mullion frames used in typical glass panel entrance structures, with vertical mounting surface as small as 2". High efficiency LEDs and full 90° cut-off provide uniform emergency and night lighting on the extended egress pathway. All models are outdoor rated, UL wet location, ADA compliant, and exceed requirements of UL Standard 924 and NFPA 101. Designed and manufactured in the USA, complies with ARRA (American Recovery and Reinvestment Act) and Buy American requirements.

SPECIAL FEATURES

- Very low profile extruded aluminum housing and mount bracket blend seamlessly with structural metal frames
- Remote power supply for 10W and 20W BB and AC model single fixtures
- Option for 20 watt models to operate for 2 hours in emergency mode
- Options for mount bracket height, from 2" to 5"
- Standard finishes include Brushed Aluminum, Satin White, Bronze or Black. Custom colors available on request
- Custom satin finishes for extended outdoor use are available to match any surface
- IP66 housing seals against heavy water spray and fine dust
- Universal side or top mount
- Wide lighting distribution designed for entrance walkways
- 10W or 20W emergency power models
- Optional normal-on switch allows timed control of night lighting
- Self-Test Diagnostics is optional for integral battery models.
- Certified IP66 housing withstands multi direction water spray and fine dust ingress
- Wall mount version available (see Series EAE)
- Standard CRI 5000K, with optional color corrections filters for 2900K, 3200K and 3800K.



ORDERING INFORMATION

Model	Operation	Power	Housing Color	Mount	Options
EUE	BB = Battery Backup (includes RPS)	10 = 10 Watts Emergency and normal on power	BL = Black W = Satin White	T = Top W = Wall	DG = Self-test diagnostics (BB models only) SD = Night lighting control switch for models with DG option (120-277VAC)
	AC = No Battery (includes RPS)	20 = 20 Watts emergency and normal on power	A = Aluminum B = Dark Bronze X = Custom		SB120 = Night lighting control switch for standard BB models (120VAC) SB277 = Night lighting control switch for standard with BB models (277VAC)
					REC = 20W RPS panel recessed mount 2EM = 2 hrs emergency operation for BB models CW1 = Color temp. - 3800K CW2 = Color temp. - 3200K CW3 = Color temp. - 2900K DAC = Dual AC input 2HT = 2" Mount Bracket height 5HT = 5" Mount Bracket height

EXAMPLE: EUEBB10AW-DG



EMLED SERIES EUE Mullion Mount Outdoor Emergency Egress Lighting



PROJECT: _____
 FIXTURE TYPE: _____
 LOCATION: _____
 CONTACT/PHONE: _____

CONSTRUCTION

- Extruded aluminum lamp housing 2" diameter, with gasketed mount bracket only
- 2 1/2"Ht that includes a waterproof compression seal for universal wall or top mount.
- Available models include:
 - BB and AC: Single fixtures powered from a Remote Power Supply
 - AC: 120/277 VAC input, with or without battery
- Wet location listed, UL924 and certified IP66
- Gasketed, molded end caps and Sealed acrylic lens
- Stainless steel hardware

LIGHTING

- Lamps connected in parallel allow continuous lighting after failure of one lamp, meeting NEC and NFPA requirements.
- Standard output color 5000K. Optional outputs available 2900K, 3200K and 3800K.
- Dual function available for emergency or normally -on operation.
- Standard Operating Temperature
 - BB: -20C to 40C (-4F to 104F)
 - AC: -20C to 40C (-4F to 104F)

ELECTRONICS

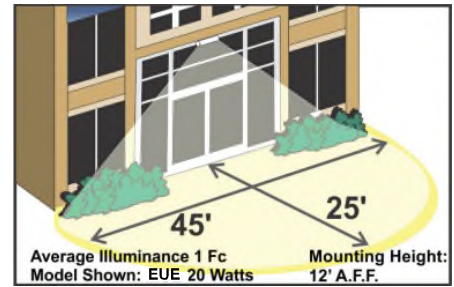
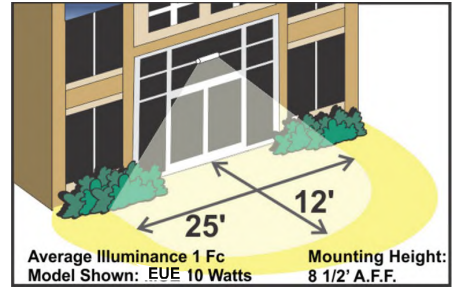
- Self-Test/Self-Diagnostic operation is optional for BB models with the Remote Power Supply.
- Line latch circuit prevents unwanted emergency activation at installation.
- Low Voltage Disconnect prevents deep battery discharge

CODES

- Manufactured and tested to UL Standard 924, NFPA Life Safety Code 101, and certified to IP66.

WARRANTY

- 10 year total customer satisfaction warranty.



NOTE: FOR REFERENCE ONLY. STANDARD REFLECTANCES 80/50/20. MULE IS NOT RESPONSIBLE FOR SPECIFIC CONDITIONS THAT MAY ALTER THE RESULTS.



Self-test Diagnostic Functions (BB models)

STATUS	LED DISPLAY
Normal Full Charge	● GREEN ON
Normal Fast Charge	● ORANGE ON
Failed Battery	●● RED FLASH FAST
Failed Lamp	●● GREEN FLASH
Failed Transfer	●● ORANGE FLASH
Failed Charger	●● RED FLASH SLOW



EMLED SERIES EUE Mullion Mount Outdoor Emergency Egress Lighting



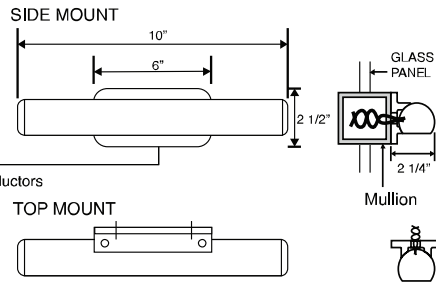
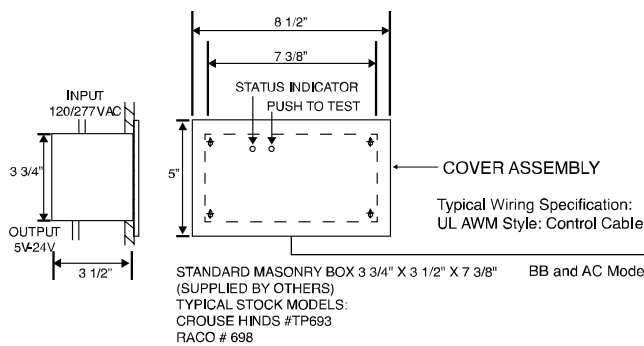
PROJECT: _____
 FIXTURE TYPE: _____
 LOCATION: _____
 CONTACT/PHONE: _____

SUGGESTED SPECIFICATIONS

Fixtures: Supply and install the EMLED Series EUE Mullion Mount or Series EAE Wall Mount emergency lighting fixture manufactured by Mule Lighting Inc. The fixture shall be listed for installation in wet locations in compliance with UL 924 and IP66 standards and shall be capable of operating either from Utility power at 120/277VAC or remote power supply Series RPS. Upon loss of AC building power, emergency models shall operate for a minimum of 90 minutes in compliance with UL Standard 924 and NFPA LSC 101.

MOUNTING DATA

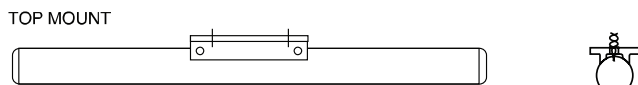
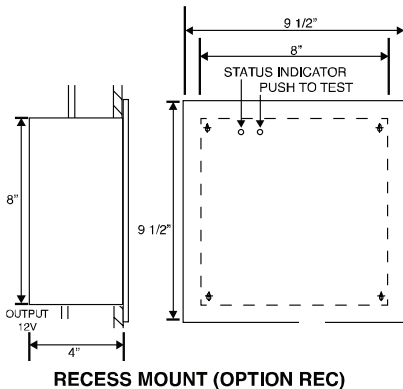
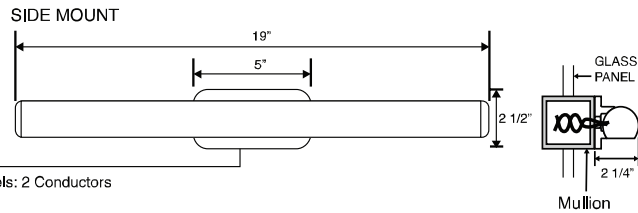
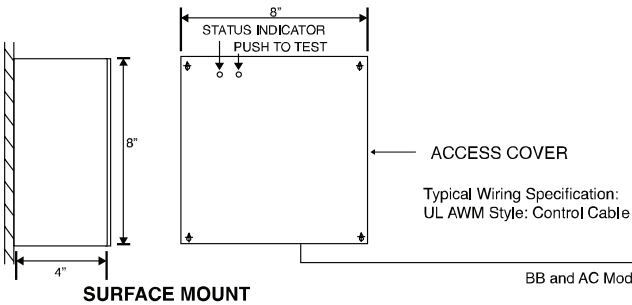
Remote Power Supply (RPS) - Included Standard 10 Watt AC & BB Models



Max. wiring length from RPS to fixture

Wiring Size AWG	LENGTH (FT)	
	EUEBB10	EUEBB20
#22	NA	20
#20	12	40
#18	25	60
#16	50	100
#14	75	160
#12	125	250

Remote Power Supply (RPS) 20 Watt AC & BB Models



Specifications and dimensions subject to change without notice.

GENERAL DESCRIPTION:

Exterior/Interior Illuminated Wall Sconce

POWER REQUIREMENTS:

(1) 20 AMP 120/277 VOLT CIRCUIT WITH 0.7 AMP TOTAL LOAD
EQUIPPED WITH A CIRCUIT BREAKER LOCKOUT DEVICE BY GC, FOR FUTURE SERVICE
SUITABLE FOR WET LOCATIONS

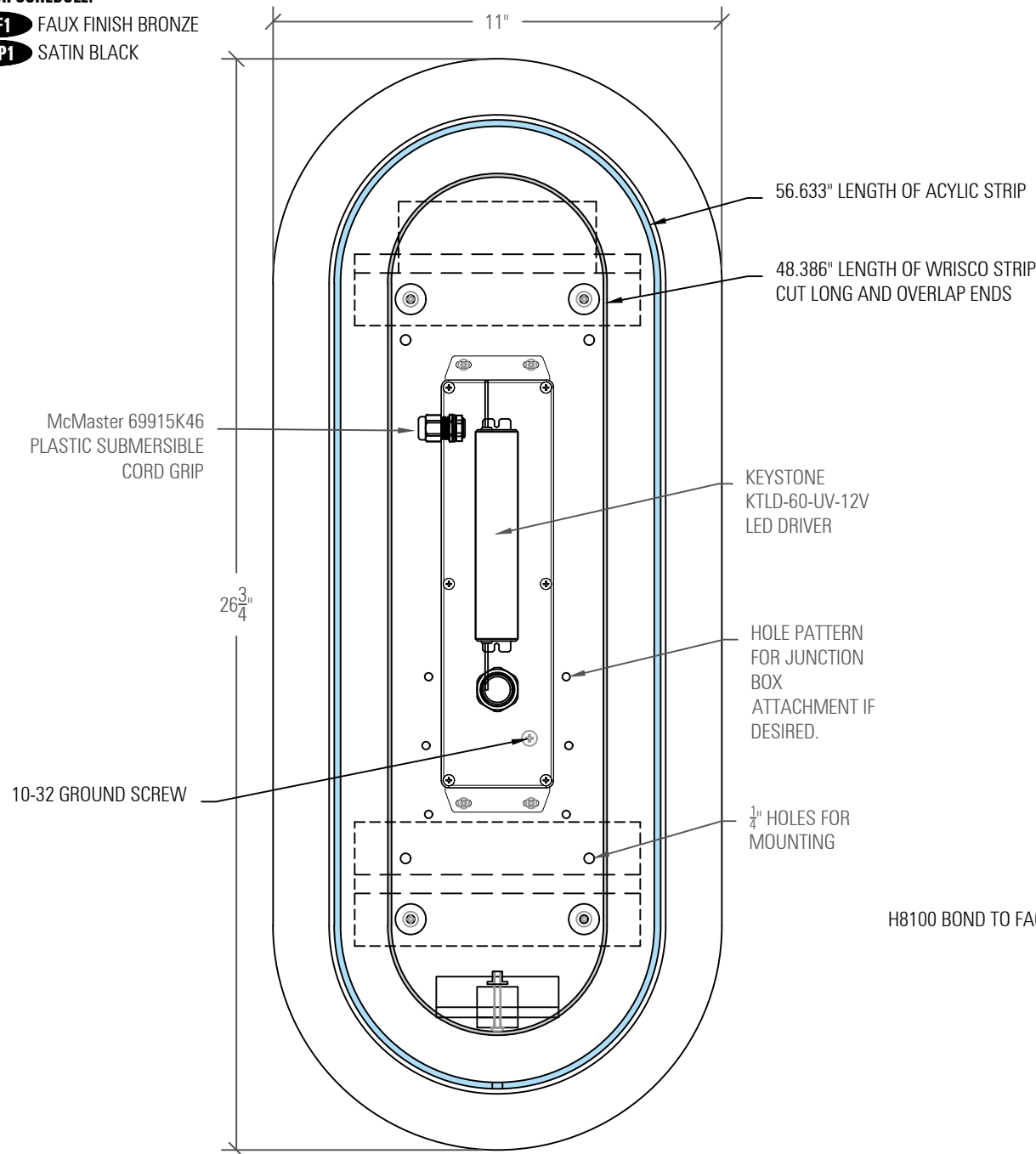
"THIS LUMINAIRE IS INTENDED TO BE INSTALLED IN ACCORDANCE WITH THE
REQUIREMENTS OF ARTICLE 600 OF THE NATIONAL ELECTRICAL CODE AND/OR OTHER APPLICABLE LOCAL CODES.
THIS INCLUDES PROPER GROUNDING AND BONDING OF THIS LUMINAIRE"

EST WEIGHT:

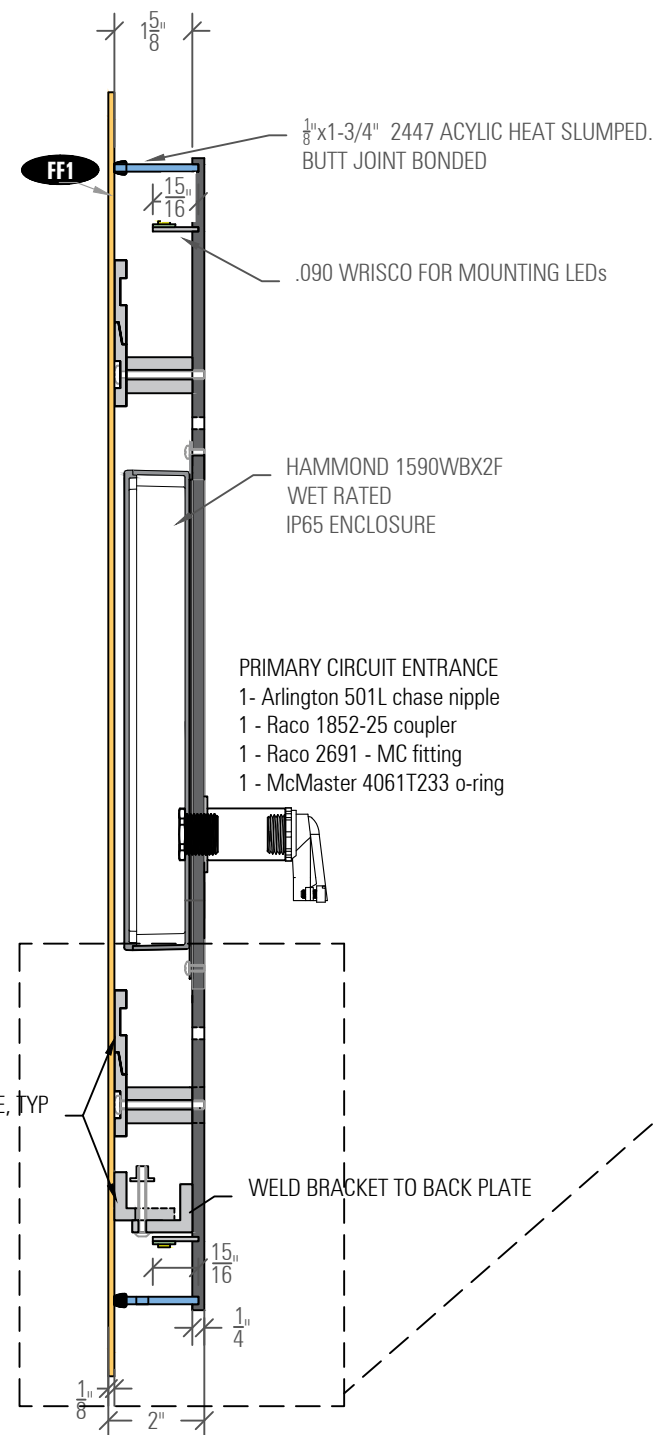
5 LBS - INTERIOR 7 LBS - EXTERIOR.

COLOR SCHEDULE:

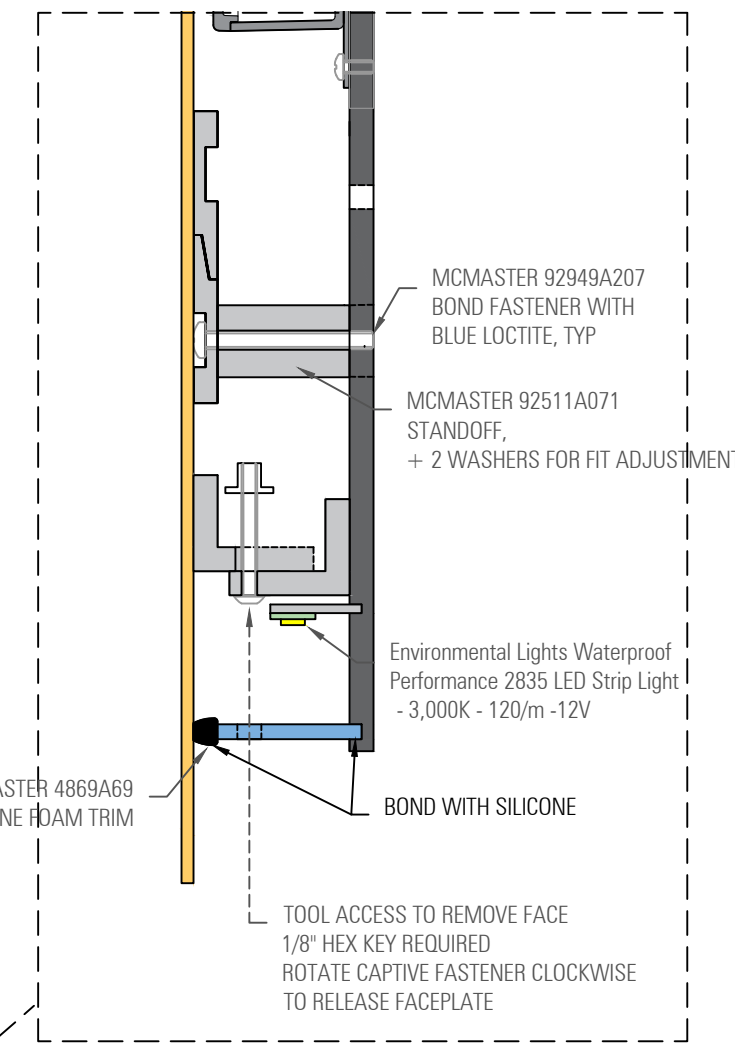
- FF1** FAUX FINISH BRONZE
- MP1** SATIN BLACK



1 FRONT ELEVATION
SCALE: 3" = 1'-0"



2 SECTION
SCALE: 3" = 1'-0"



3 DETAIL
SCALE: 6" = 1'-0"

- 1.0** •Added acrylic return. Reconfigured lighting to suit.
- 2.0** •Added gasket on acrylic. New capture mechanism to attach face. New primary power entrance location.
- 3.0** •Added exterior sconce. Added retaining bracket detail.
- 4.0** •Added 18" interior sconce.

LS003.A1

NON-FAUX SURFACES PAINTED **MP1**

INTERIOR SCONCE
INTERNAL COMPONENTS SAME AS EXTERIOR SCONCE

SUBMITTAL DATE:

07/26/21

DRAWN BY:

DECLAN F.

PROJECT MANAGER:

RICH U.

ELEMENT LEAD

DECLAN F.

REVISIONS:

8/12/21

8/27/21

9/1/21

10/12/21

- Fabrication Intent
- Final Shop Drawings
- Engineered

INTERIOR SCONCE

PROJECT:

PANERA BREAD

LOC:

JOB#: **004309**

ELEMENT ID:

WS-I, WS-E, WS-I-18

QTY: (2) WS-1, (5) WS-E

SUBMITTAL DATE:

07/26/21

DRAWN BY:

DECLAN F.

PROJECT MANAGER:

RICH U.

ELEMENT LEAD

DECLAN F.

REVISIONS:

8/12/21

8/27/21

9/1/21

10/12/21

- Fabrication Intent
- Final Shop Drawings
- Engineered

EXTERIOR SCONCE

PROJECT:

**PANERA
BREAD**

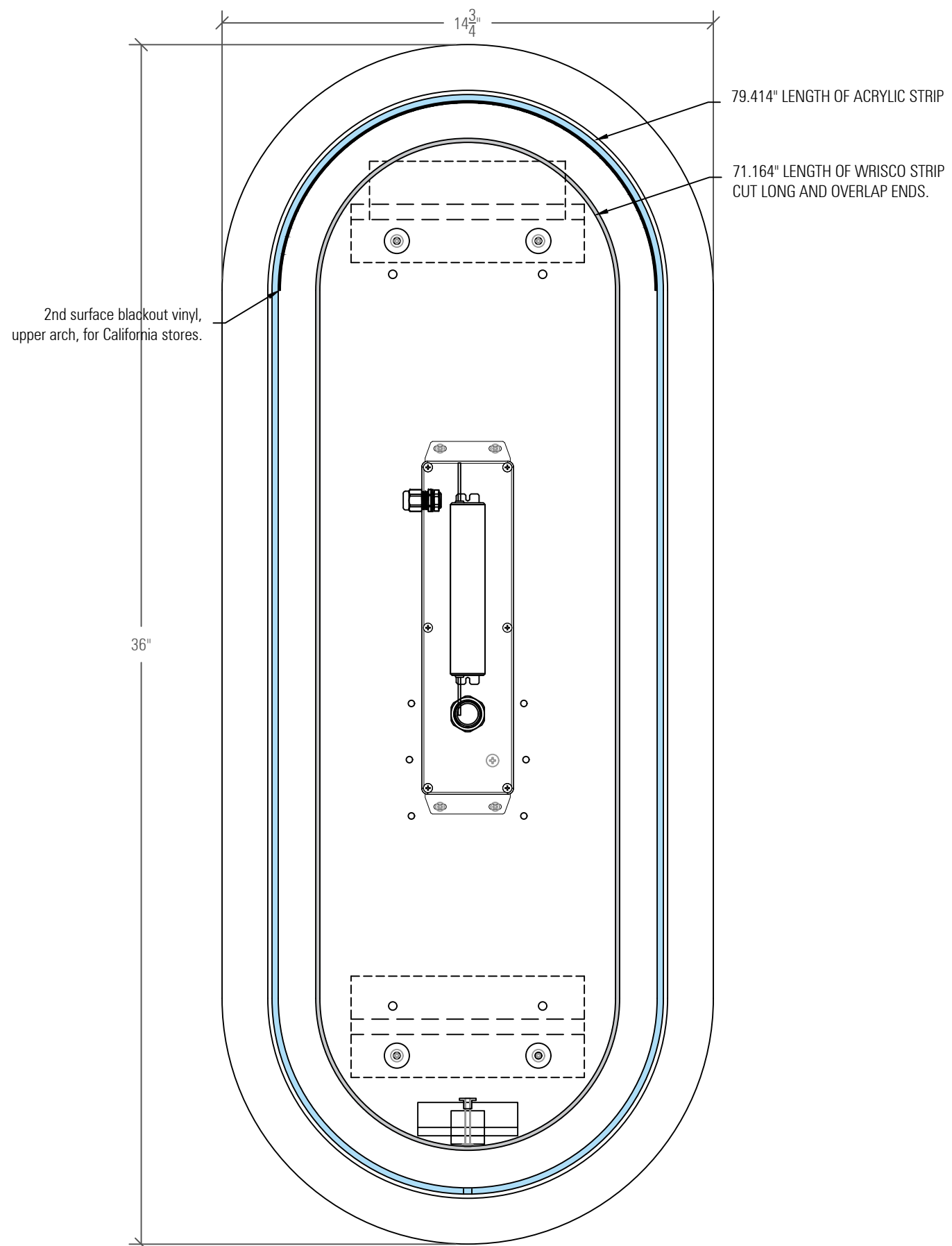
LOC:

JOB#: **004309**

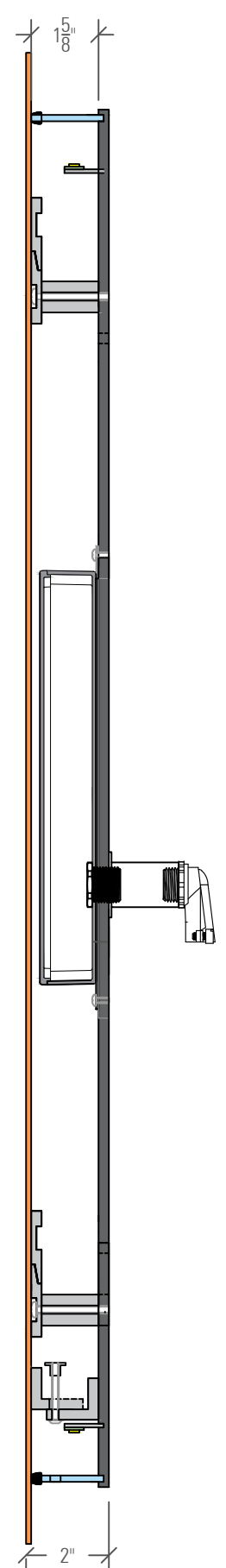
ELEMENT ID:

WS-I, WS-E, WS-I-18

QTY: (2) WS-1, (5) WS-E



4 FRONT ELEVATION
SCALE: 3" = 1'-0"



5 SECTION
SCALE: 3" = 1'-0"

LS003.B1

LS003.B2 Dark Sky Compliant

EXTERIOR SCONCE
INTERNAL COMPONENTS SAME AS
INTERIOR SCONCE

SUBMITTAL DATE:

07/26/21

DRAWN BY:

DECLAN F.

PROJECT MANAGER:

RICH U.

ELEMENT LEAD

DECLAN F.

REVISIONS:

8/12/21

8/27/21

9/1/21

10/12/21

- Fabrication Intent
- Final Shop Drawings
- Engineered

SMALL INTERIOR SCNCE

PROJECT:

**PANERA
BREAD**

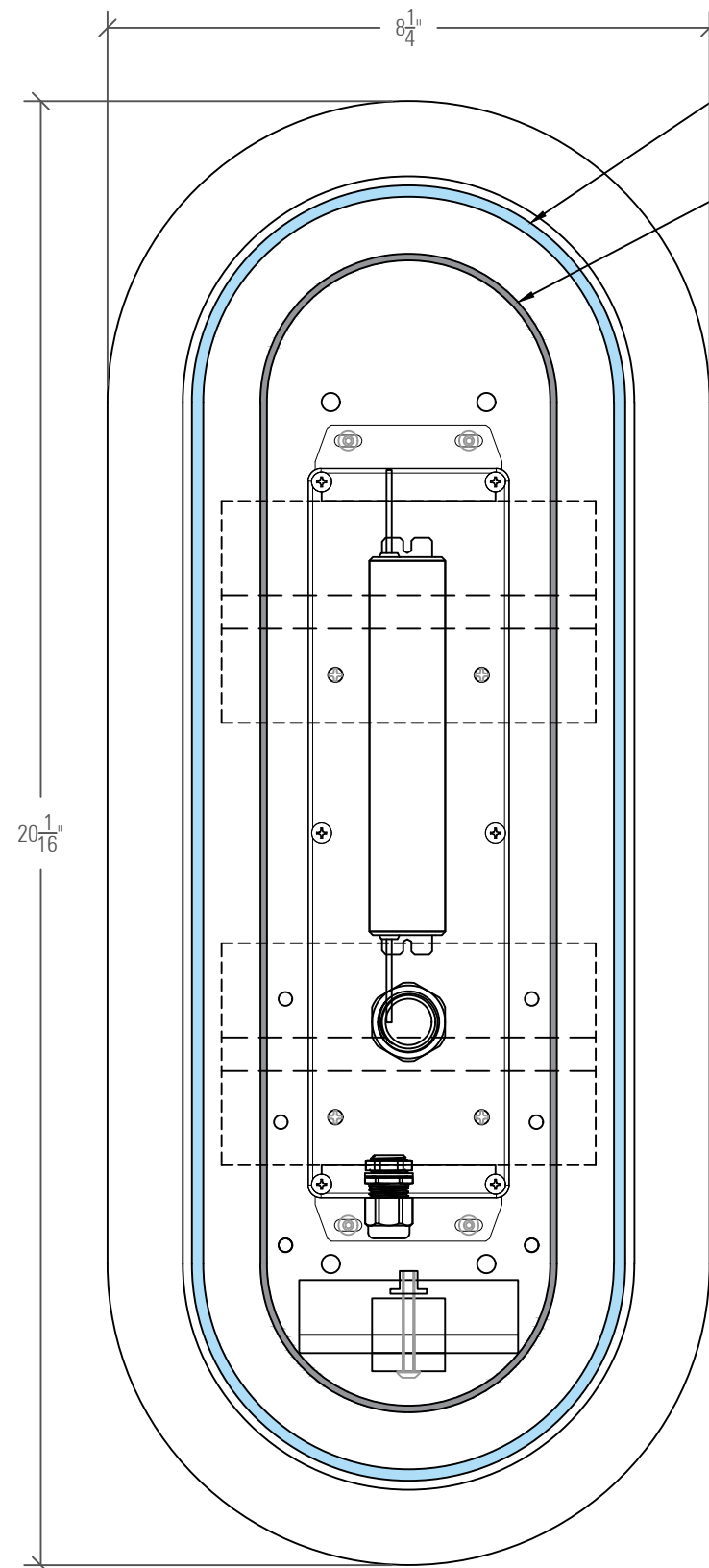
LOC:

JOB#: **004309**

ELEMENT ID:

WS-I, WS-E, WS-I-18

QTY: (2) WS-1, (5) WS-E



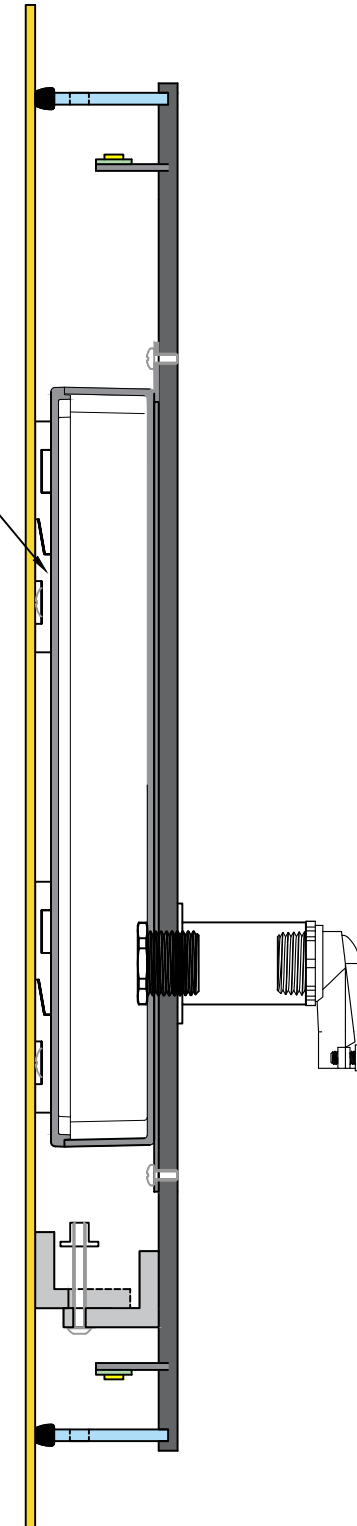
6 FRONT ELEVATION
SCALE: NTS

42.278" LENGTH OF ACRYLIC STRIP

36.385" LENGTH OF WRISCO STRIP
CUT LONG AND OVERLAP ENDS.

Lower cleats mounted to enclosure lid.
Drill and tap for 8-32 screw.

7 SECTION
SCALE: NTS



LS003.C1

SMALL INTERIOR SCNCE

INTERNAL COMPONENTS SAME AS
INTERIOR SCNCE

SUBMITTAL DATE:

07/26/21

DRAWN BY:

DECLAN F.

PROJECT MANAGER:

RICH U.

ELEMENT LEAD

DECLAN F.

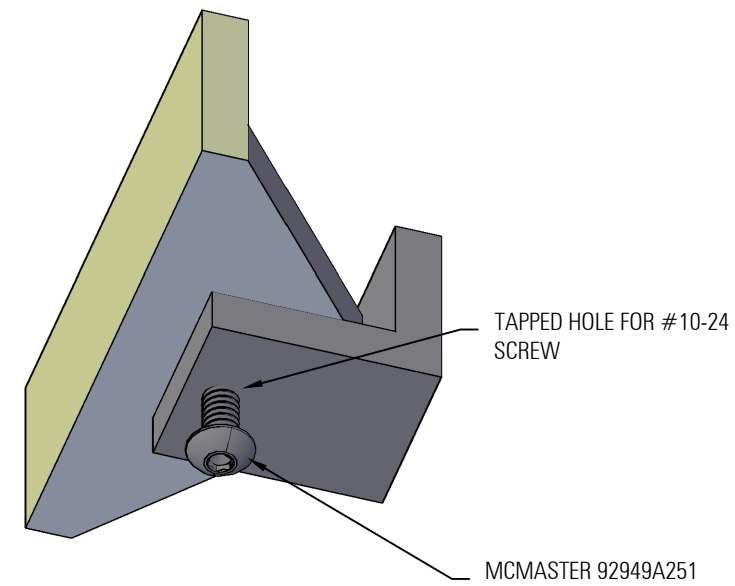
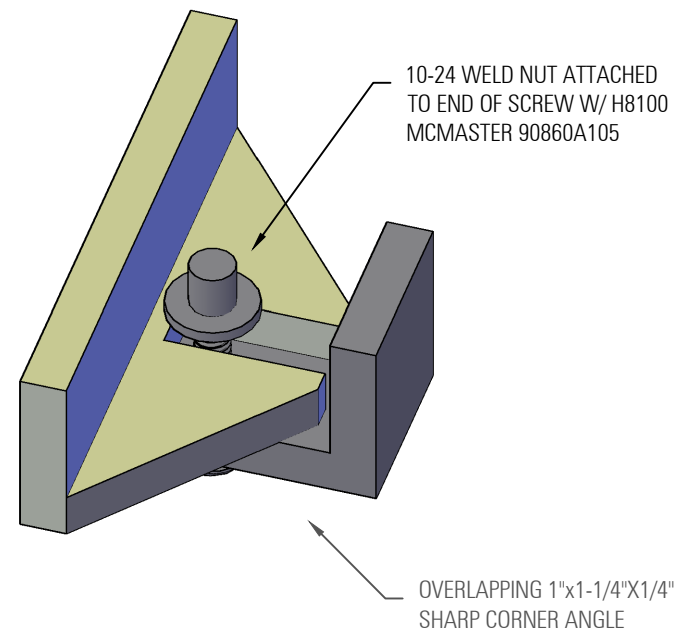
REVISIONS:

8/12/21

8/27/21

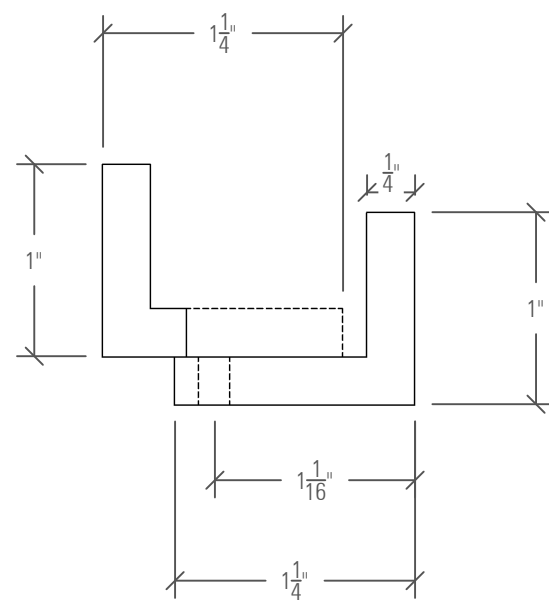
9/1/21

10/12/21

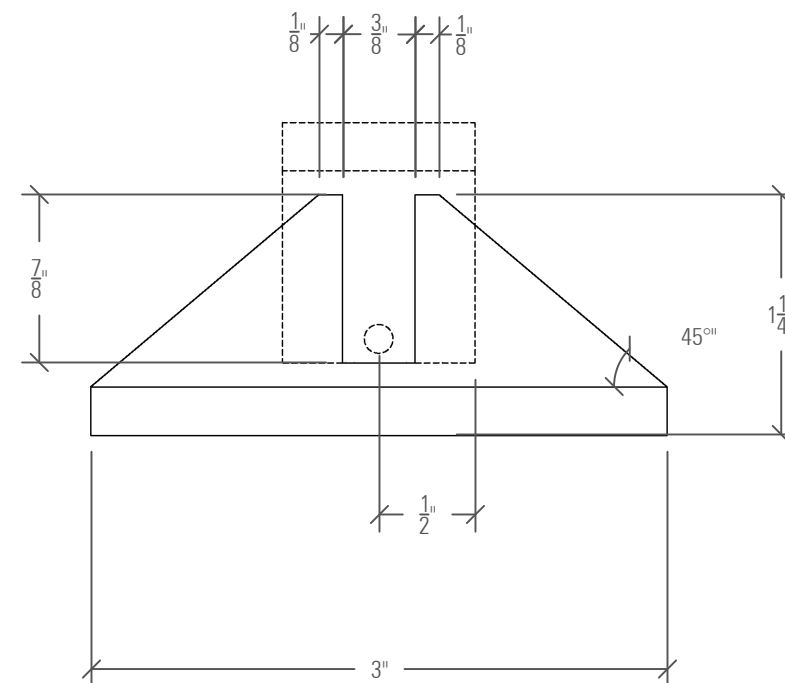


6 RETAINING BRACKET ISOMETRIC

- Fabrication Intent
- Final Shop Drawings
- Engineered



8 RETAINING BRACKET SECTION
SCALE: FULL SIZE



9 RETAINING BRACKET SECTION
SCALE: FULL SIZE

RETAINING BRACKET

PROJECT:

**PANERA
BREAD**

LOC:

JOB#: **004309**

ELEMENT ID:

WS-I, WS-E, WS-I-18

QTY: (2) WS-1, (5) WS-E

SUBMITTAL DATE:

07/26/21

DRAWN BY:

DECLAN F.

PROJECT MANAGER:

RICH U.

ELEMENT LEAD

DECLAN F.

REVISIONS:

8/12/21

8/27/21

9/1/21

10/12/21

Fabrication Intent

Final Shop Drawings

Engineered

CLEATS

PROJECT:

PANERA

BREAD

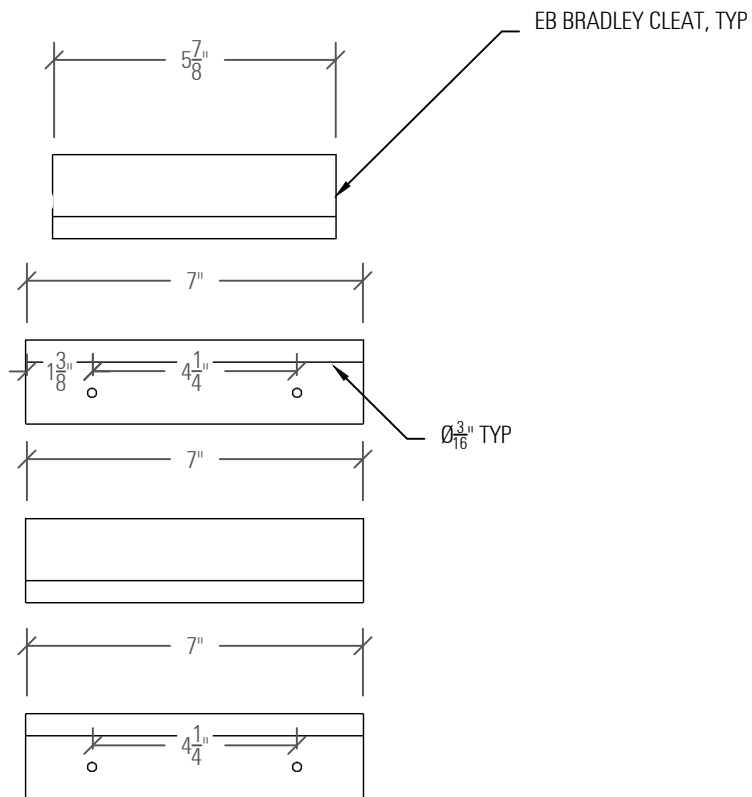
LOC:

JOB#: **004309**

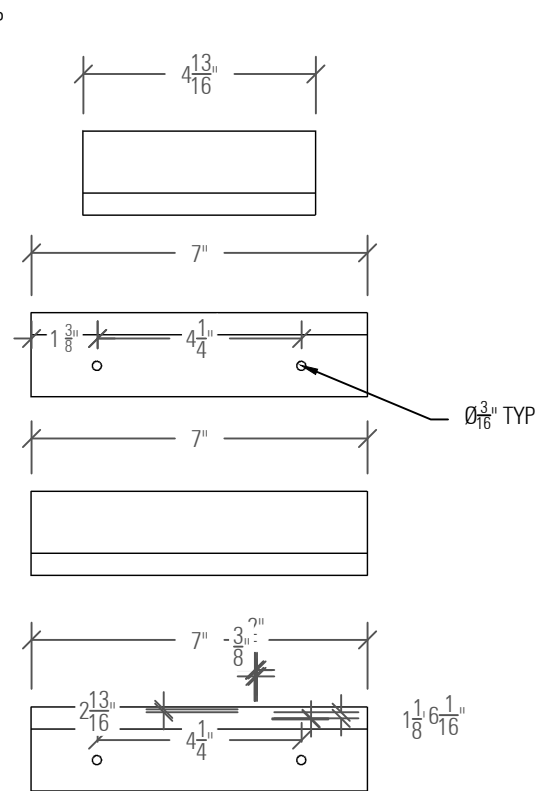
ELEMENT ID:

WS-I, WS-E, WS-I-18

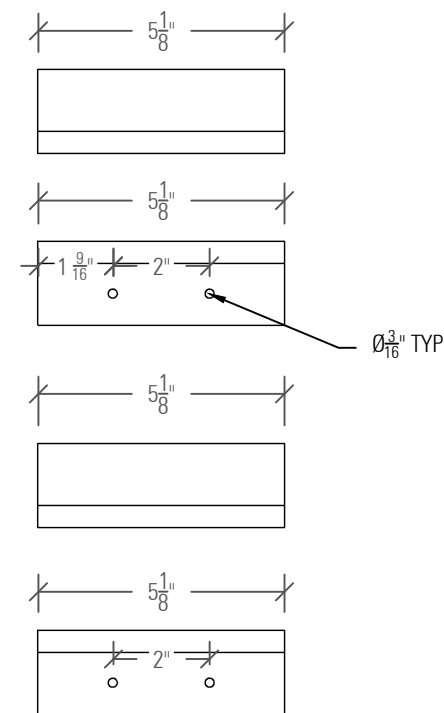
QTY: (2) WS-1, (5) WS-E



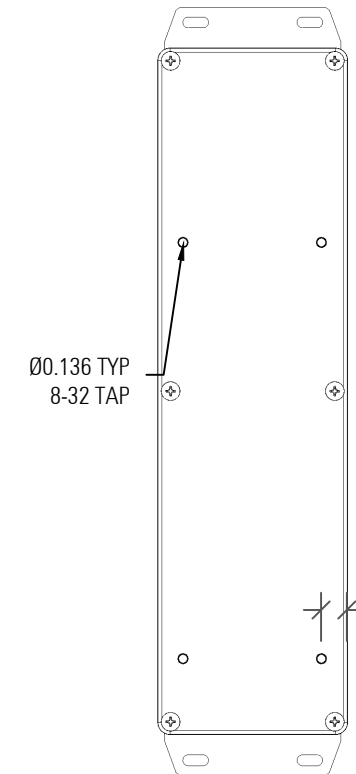
10 EXTERIOR SCONCE CLEATS



11 INTERIOR SCONCE CLEATS



12 SMALL INTERIOR SCONCE CLEATS



13 SMALL INTERIOR SCONCE ENCLOSURE LID

SUBMITTAL DATE:

07/26/21

DRAWN BY:

DECLAN F.

PROJECT MANAGER:

RICH U.

ELEMENT LEAD

DECLAN F.

REVISIONS:

8/12/21

8/27/21

9/1/21

10/12/21

Fabrication Intent

Final Shop Drawings

Engineered

CUTFILES

PROJECT:

PANERA

BREAD

LOC:

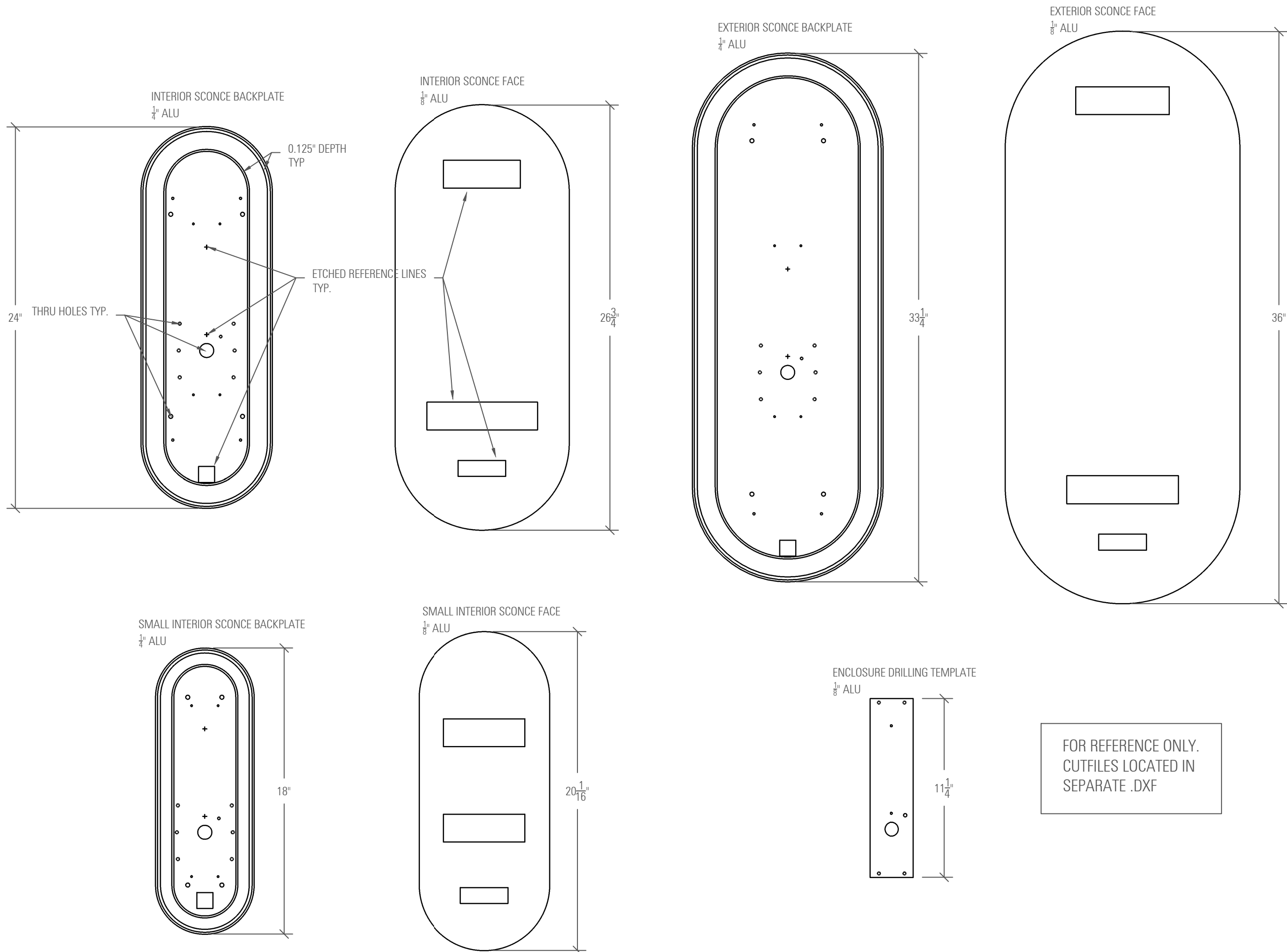
JOB#: **004309**

ELEMENT ID:

WS-I, WS-E, WS-I-18

QTY: (2) WS-1, (5) WS-E

06 OF 07



FOR REFERENCE ONLY.
CUTFILES LOCATED IN
SEPARATE .DXF

01 ● **HARDWARE SCHEDULE**

#	DESCRIPTION	PART#	QTY	NOTES
01	Environmental Lights Waterproof Performance 2835 LED Strip Light - 3,000K - 120/m - 12V	wp-3000K-2835PL-120-10-5m		
02	KEYSTONE LED DRIVER	KTLD-60-UV-12V		
03	HAMMOND WET RATED IP65 ENCLOSURE	1590WBX2F		
04	Arlington 501L chase nipple	501L		
05	Raco 1852-25 coupler	1852-25		
06	Raco 2691 - MC fitting	2691		
07	Square profile O-ring	MC 4061T233		
08	PLASTIC SUBMERSIBLE CORD GRIP	MC 69915K46		
09	8-32 x 2" Button head hex drive machine screw	MC 92949A207		
10	1/2" X 1-3/8" Unthreaded spacer	MC 92511A071		
11	10-24 x 2" Button head hex drive machine screw	MC 92949A251		
12	10-24 Weld nut	MC 90860A105		
13	SILICONE FOAM TRIM	MC 4869A69		
14	8-32 x 5/16" Button head hex drive machine screw	MC 92949A191		To mount Hammond enclosure
15	4-40 x 3/8" Button head hex drive machine screw	MC 92949A108		To mount Keystone driver
16				
17	2 conductor WAGO connectors`	WAGO 221		
18	Paige Electric 18 AWG 2-Wire Plenum Rip Strip LED Cable, sunlight resistant, indoor/outdoor	98P183M		
19				
20				
21				
22				
23				
24				
25				
26				
27				
28				
29				
30				
31				
32				

51 ● **INSTALL HARDWARE SCHEDULE**

#	DESCRIPTION	PART#	QTY	NOTES
51	#10 x 2" wood screws			Use when blocking is present.
52	#10 toggle bolts			Use when no blocking is present.
53	Silicone sealant			As needed to prevent water ingress
54	Danco silicone gasket grease	88693		To prevent gasket from binding when mounting faceplate
55				
56				
57				
58				
59				
60				
61				
62				

A ● **MATERIAL SCHEDULE**

#	DESCRIPTION	NOTES
A	1/4" 6061 Aluminum	
B	1/8" 60601 Aluminum	
C	1/8" 2447 White Acrylic	
D	.040 Wrisco	
E	Blackout vinyl	California exterior sconces only
F	Silcone sealant	
G	H8100 (green glue)	
H	Blue Loctite	
I		
J		
K		
L		
M		
N		
O		
P		

SUBMITTAL DATE:

07/26/21

DRAWN BY:

DECLAN F.

PROJECT MANAGER:

RICH U.

ELEMENT LEAD

DECLAN F.

REVISIONS:

8/12/21

8/27/21

9/1/21

10/12/21

- Fabrication Intent
- Final Shop Drawings
- Engineered

Hardware schedule

PROJECT:

PANERA

BREAD

LOC:

JOB#: **004309**

ELEMENT ID:

WS-I, WS-E, WS-I-18

QTY: (2) WS-1, (5) WS-E