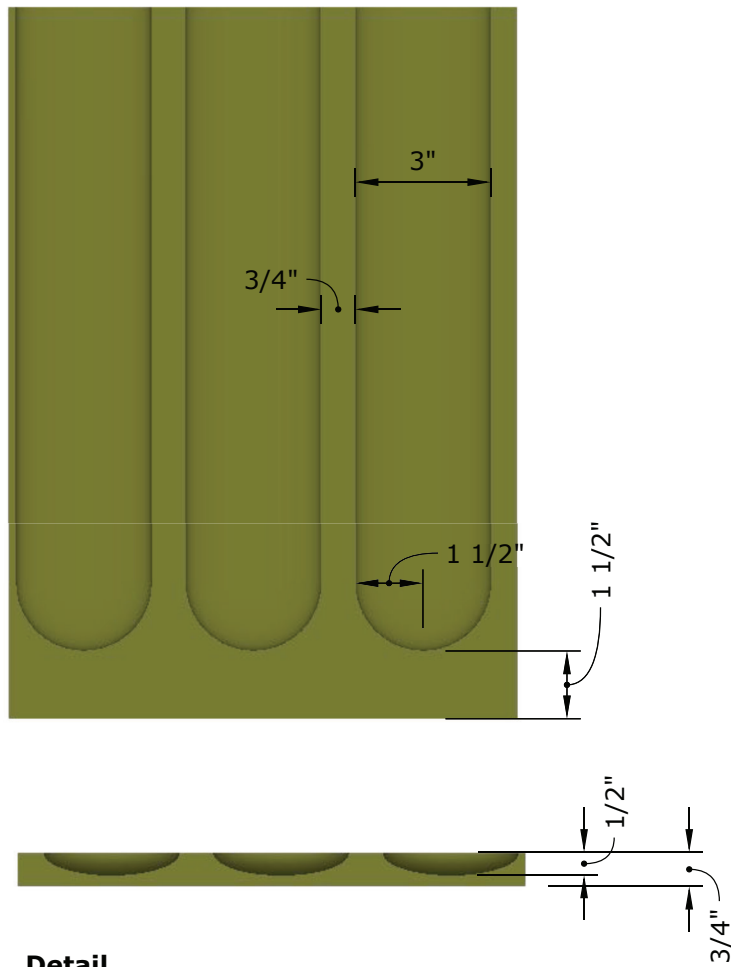


# Panera Bread

Scottsdale, AZ  
Digital Materials

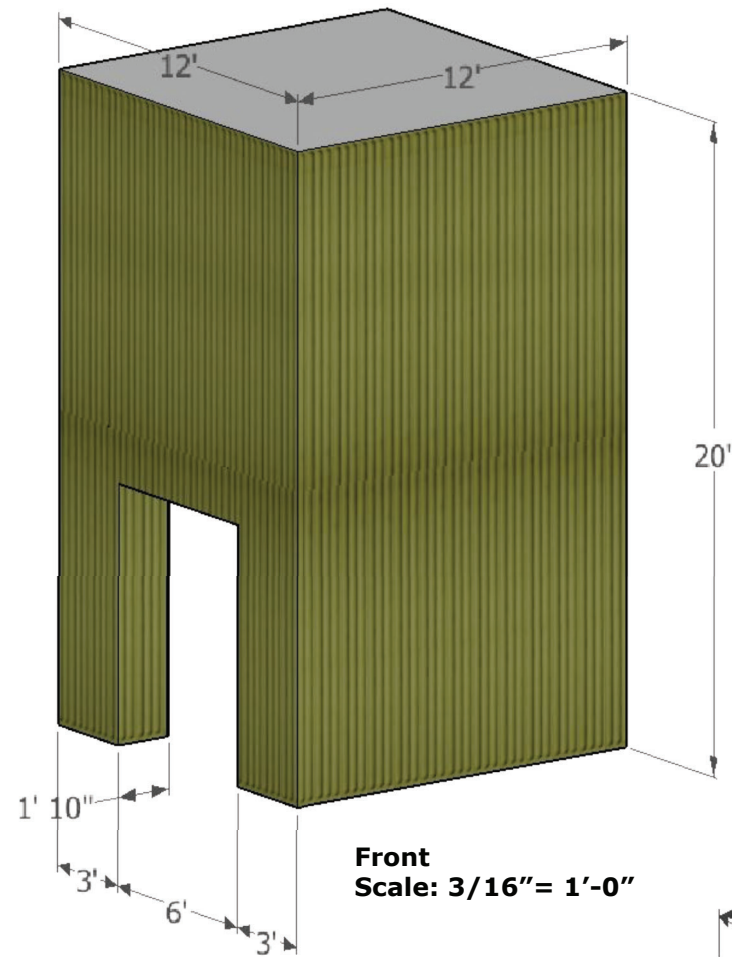




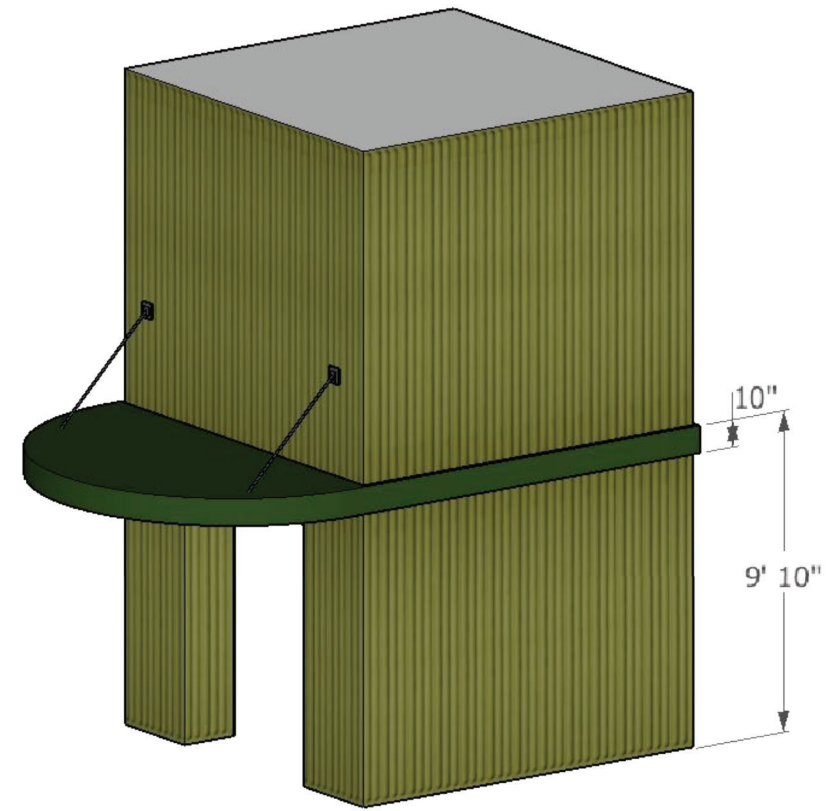
**Detail**  
Scale: 3" = 1'-0"



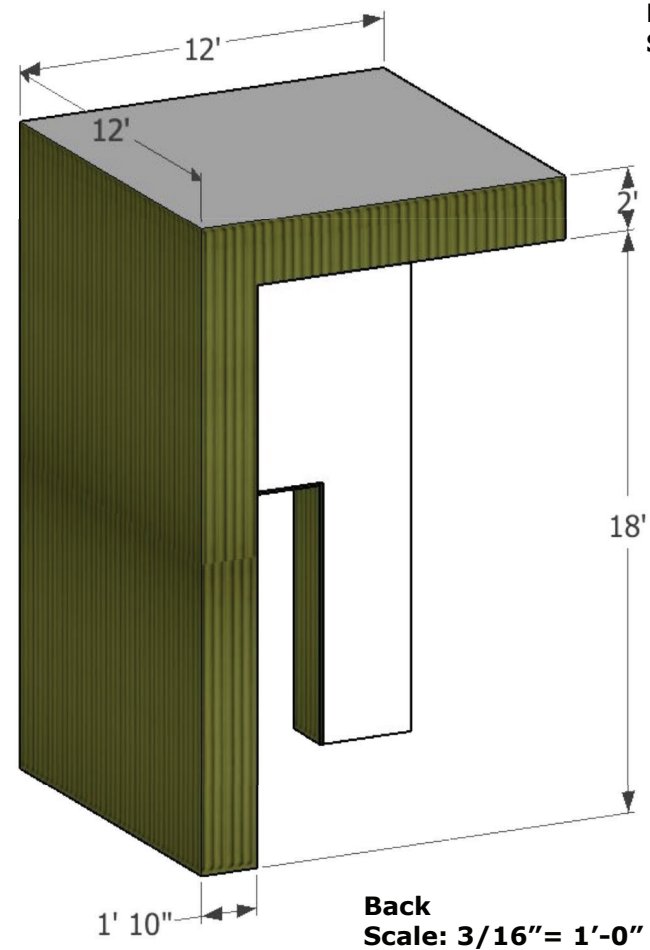
## Panera Fluted Exterior FRP



**Front**  
Scale: 3/16" = 1'-0"

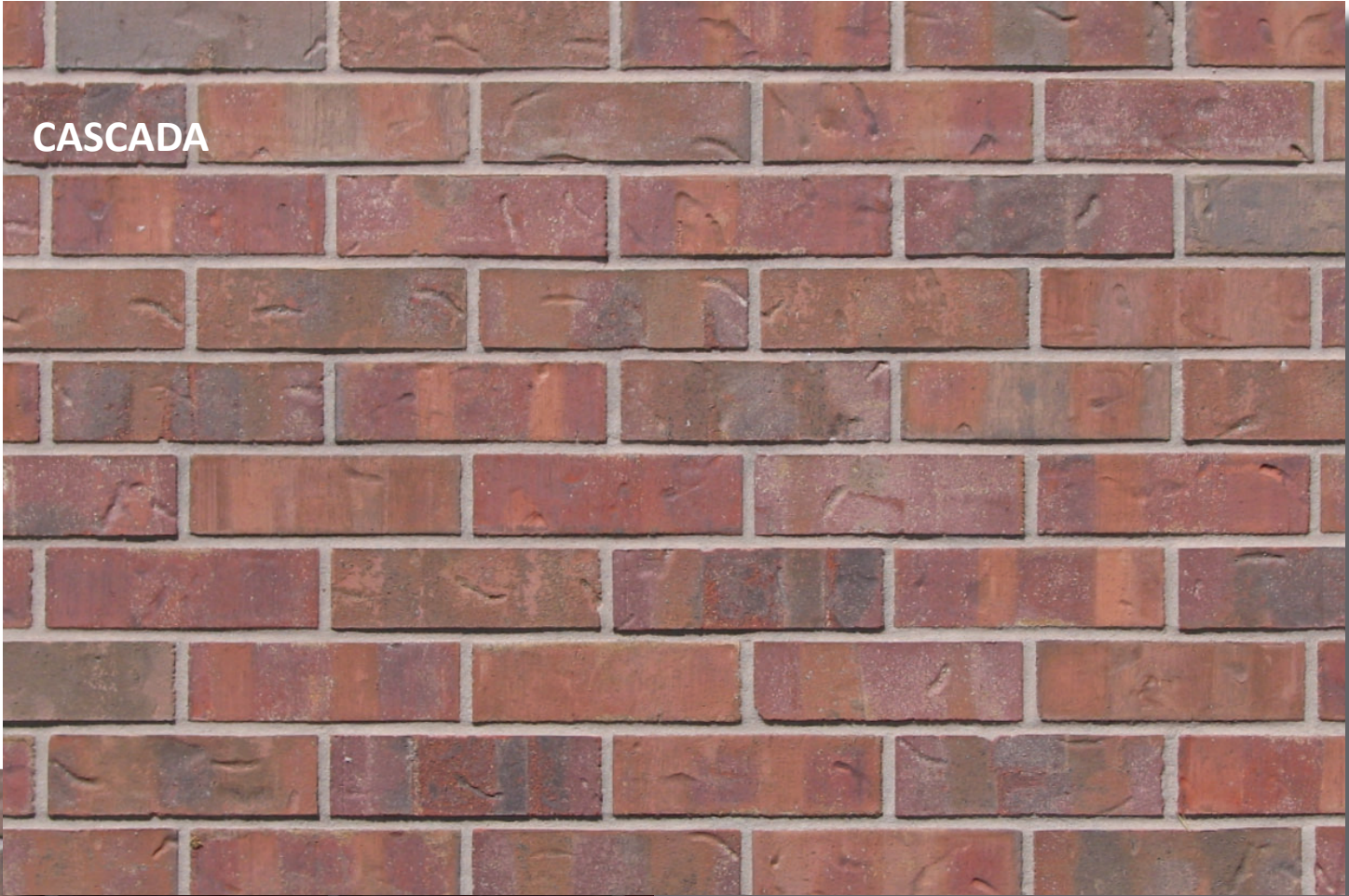
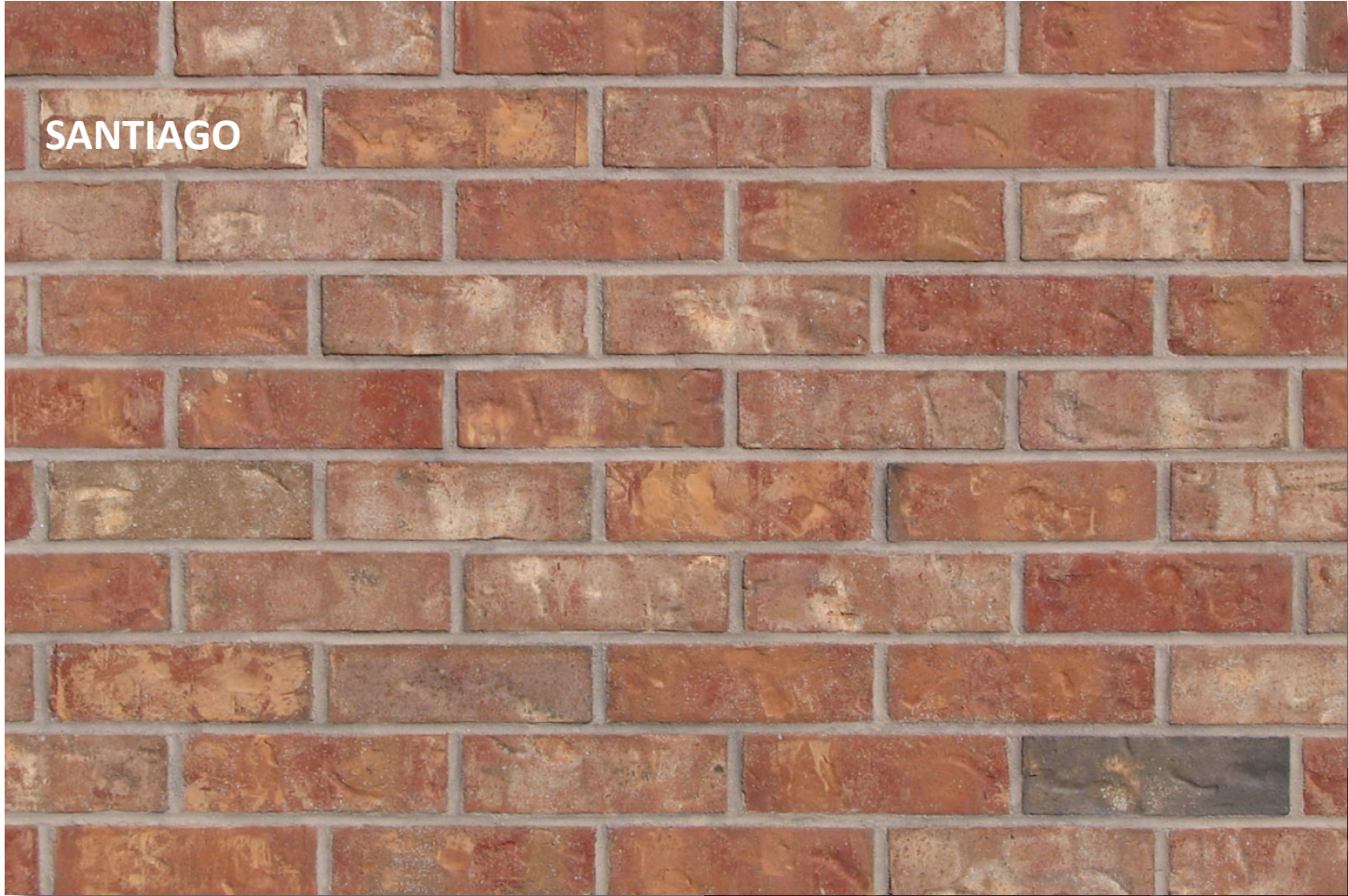


**Front Awning**  
Scale: 3/16" = 1'-0"



**Back**  
Scale: 3/16" = 1'-0"

BRICK BLEND - MCNEAR BRICK AND BLOCK



THE BRICK OF THE BUILDING IS A CUSTOM BLEND OF THE (3) INCLUDED COLORS. A HIGH PERCENTAGE OF THE BLEND IS OF "SANTIAGO" WITH "CASCADA" AND "SANTA CRUZ" PEPPERED INTO THE BLEND.

EIFS - DRYVIT OUTSULATION PLUS SYSTEM

Color



Dryvit Suede #105

Texture



Dryvit LYMESTONE Texture

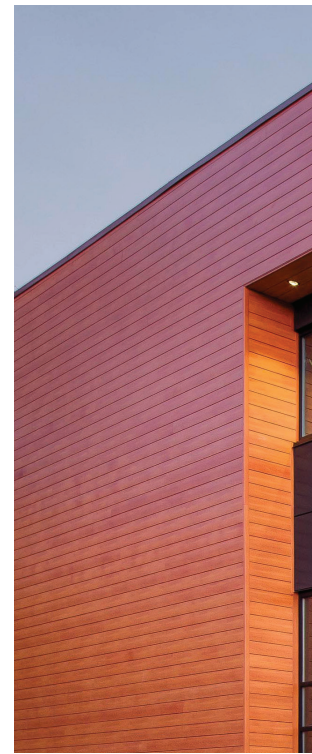
## Aluminum Cladding

Are you looking for a feature to set your project apart from the rest? Do you need cladding system that won't fuel a fire or swell and crack during the storm season? Why not try Knotwood Cladding?

Knotwood Cladding is made from 100% aluminum protected by a durable woodgrain powder coat finish. It's immune to fire, rust, rot, insects and will never warp, split or crack. Even extreme heat or freezing cold can't damage Knotwood. Coated in Knotwood's award winning woodgrain finish it meets the highest finishing standards in the world. Backed by an industry leading limited lifetime warranty you can be sure that Knotwood cladding won't let you down.

The unique hidden fastener system creates a clean finish that hides any unsightly screws or rivets. The interlocking system makes Knotwood cladding a smart choice when water penetration is a concern. In the event repairs are needed, Knotwood's unique top-down interlocking board system makes repairs fast and simple. In addition, Knotwood cladding requires next to no maintenance, just a quick wash with warm water will keep it looking brand new from the day it goes in.

Why wait for an inferior system to cost you time and money, damaging your building in the process? Let Knotwood cladding protect your investment, it won't let you down and it'll look great while doing it.



WHITE ASH

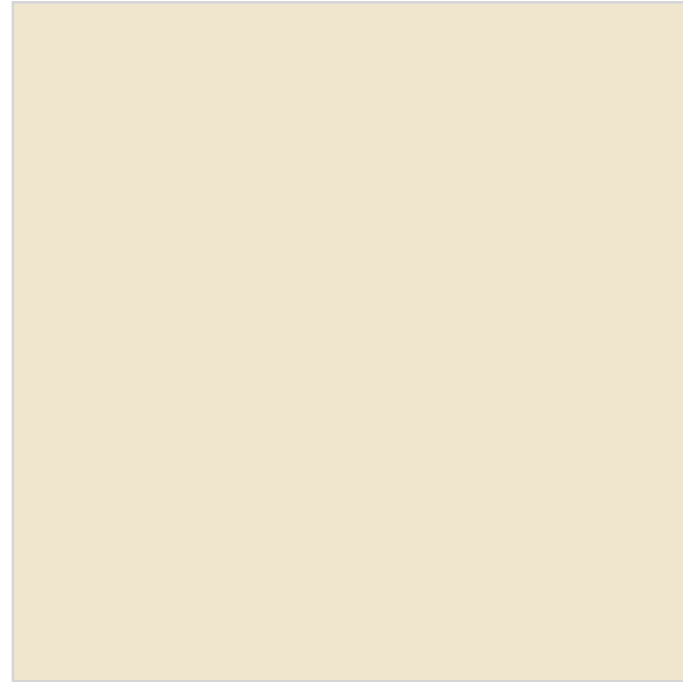
MISC FINISHES

POWDER COAT/PRE-FINISHED COLORS

CANOPY FINISH/STOREFRONT COLOR



STOREFRONT COLOR (LIGHT)



TOWER COPING



MAIN PARAPET COPING

