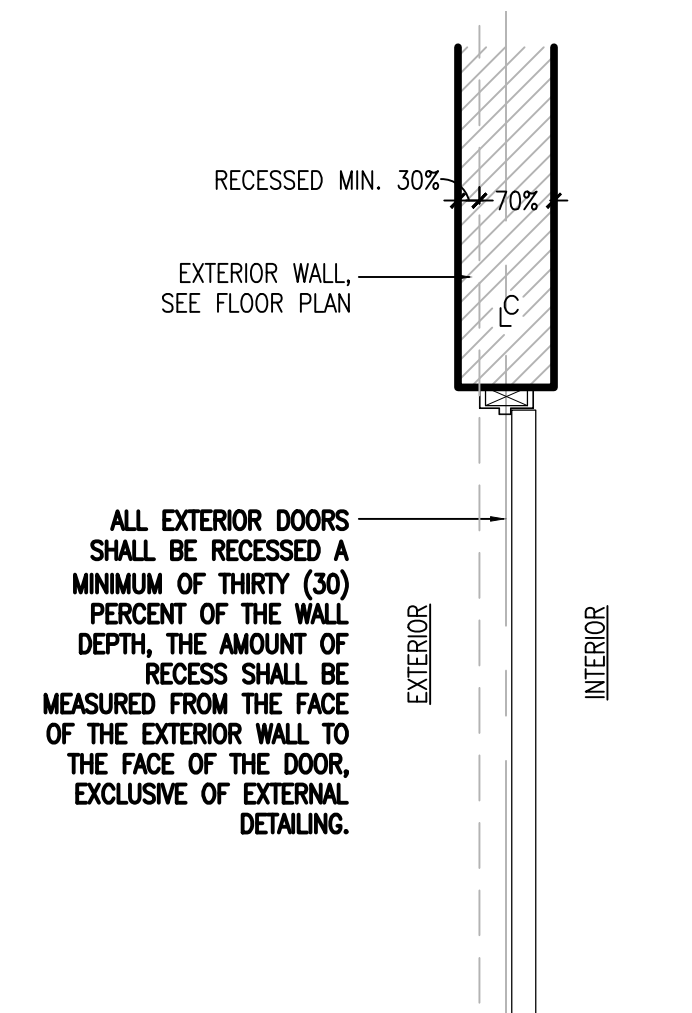
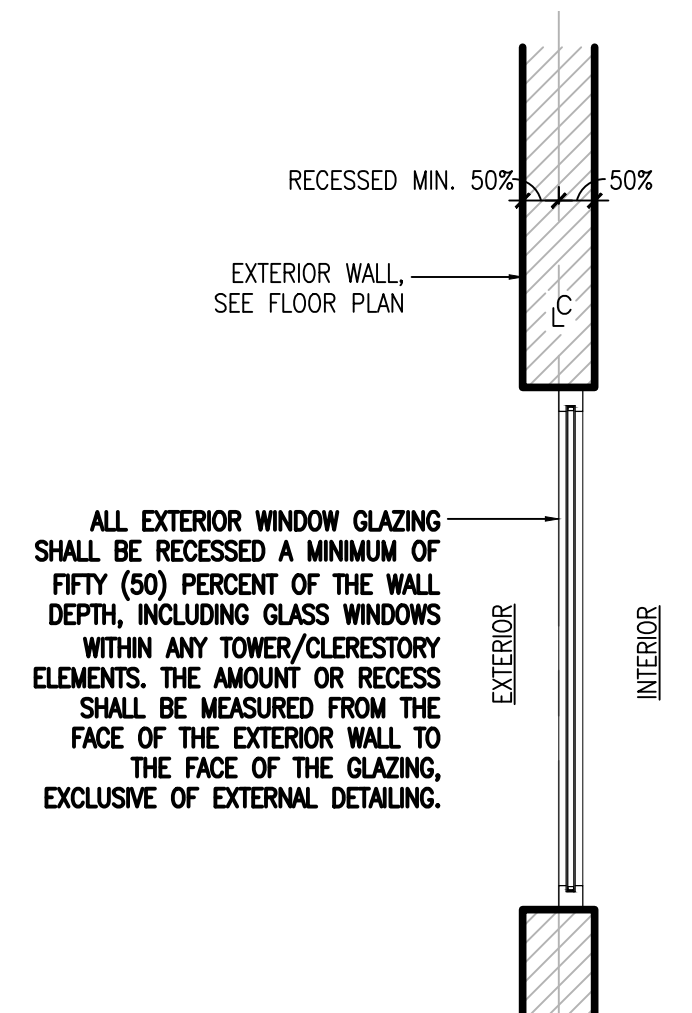


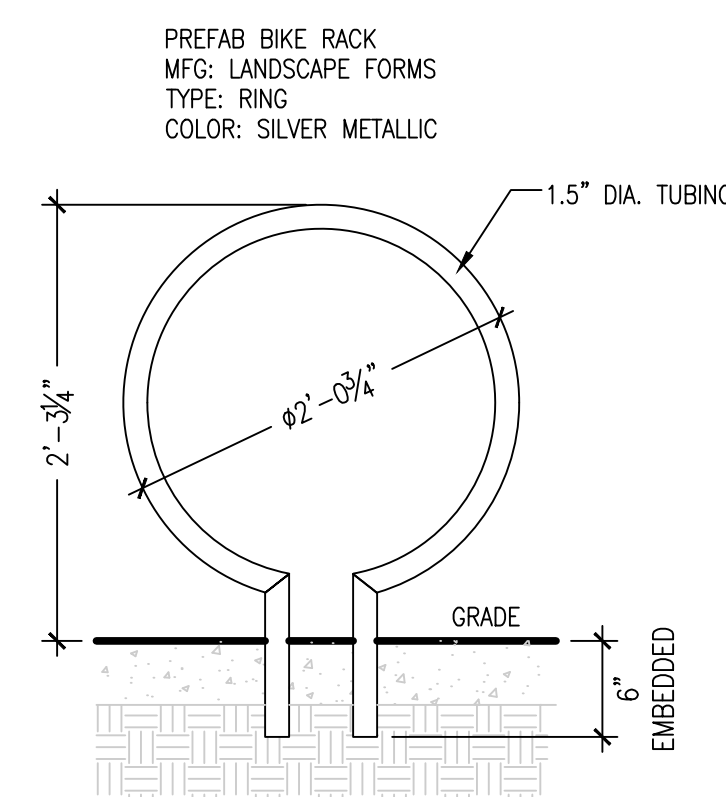
BREEZE BLOCK / SITE WALL - SECTION
SCALE: 1/2" = 1'-0"



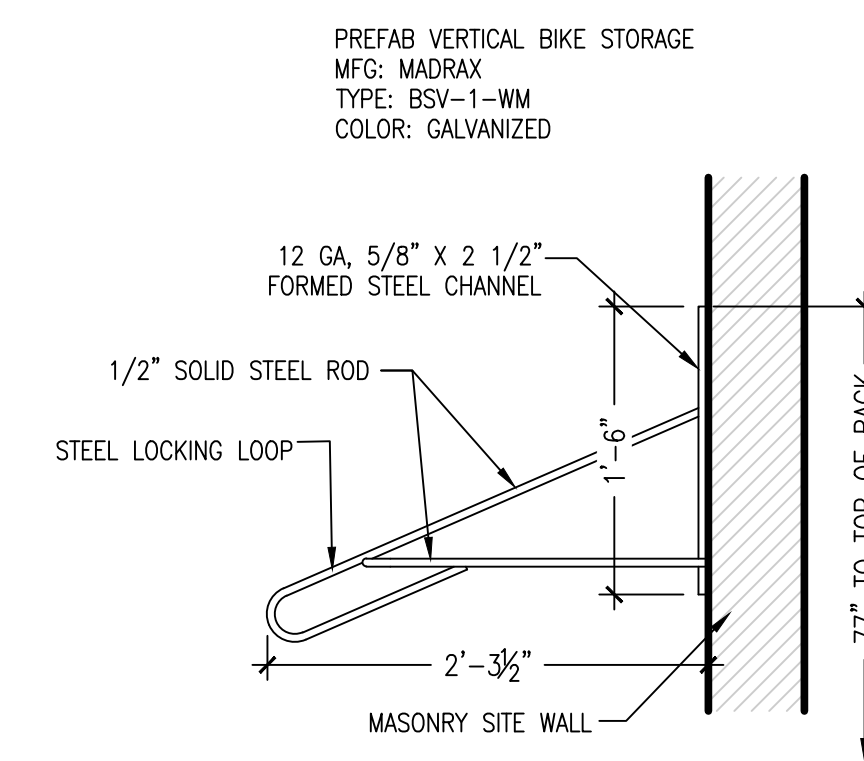
TYPICAL EXTERIOR DOOR - SECTION
SCALE: 3/4" = 1'-0"



TYPICAL EXTERIOR WINDOW - SECTION
SCALE: 3/4" = 1'-0"



SIDEWALK BICYCLE RACK
SCALE: 1" = 1'-0"



WALL MOUNT VERTICAL BICYCLE RACK
SCALE: 1" = 1'-0"