

# YAM MANAGEMENT

---

## YAM Hangars at SDL 10-DR-2024

### DEVELOPMENT REVIEW BOARD

06.27.2025

14930 N 78TH WAY  
SCOTTSDALE, AZ 85260

#### **YAM MANAGEMENT**

15475 N 84th St  
Scottsdale, AZ 85260  
Telephone 480.696.4831  
Email

#### **GENSLER**

Architect

2575 E Camelback Rd  
Suite 175  
Phoenix, AZ 85016  
Telephone 602.523.4900  
Email

#### **SEG**

Civil Engineer

5240 N 16th Street  
Suite 105  
Phoenix, AZ 85016  
Telephone 480.588.7226  
Email

#### **COFFMAN ASSOCIATES**

Civil Engineer

4835 E Cactus Rd  
Suite 235  
Scottsdale, AZ 85254  
Telephone 602.993.6999  
Email

#### **COLWELL SHELOR**

Landscape Architect

4450 N 12th St  
Suite 104  
Phoenix, AZ 85014  
Telephone 480.922.8854 ext. 498  
Email



**PROJECT INFORMATION**

**PROJECT DATA ZONING:** I-1

**BUILDING AREA:**

YAM HANGAR	30,000 SF
HANGAR 01 & 02	40,000 SF
HANGAR 03 & 04	40,000 SF
HANGAR 05 & 06	35,000 SF
<b>TOTAL AREA</b>	<b>145,000 SF</b>
AIRCRAFT HANGAR	120,000 SF
<b>OFFICE</b>	<b>21,000 SF</b>

**REFUSE CALCULATIONS:**

**REFUSE CONTAINERS WITH RECYCLING**

OFFICE (NON-RESIDENTIAL)	2 PER 30,000 SF = 0.8 CONTAINERS
HANGAR (NON-RESIDENTIAL)	0
<b>PROVIDED:</b>	<b>1 RECYCLE AND 2 REFUSE CONTAINERS</b>

**YAM MANAGEMENT**

14930 N 78TH WAY  
SCOTTSDALE, AZ 85260

**Gensler**

2575 E Camelback Rd  
Suite 175  
Phoenix, AZ 85016  
United States  
Tel 602.523.4900  
Fax 602.523.4949

**SUSTAINABILITY ENGINEERING GROUP**  
5240 N 16th Street  
Suite 105  
Phoenix, AZ 85016  
United States  
Tel 480.368.7226

**COFFMAN ASSOCIATES**  
4835 E Cactus Rd  
Suite 235  
Scottsdale, AZ 85254  
United States  
Tel 602.993.6999

**COLWELL SHELOR**  
4450 N 12th St  
Suite 104  
Phoenix, AZ 85014  
United States  
Tel 480.922.8854 ext. 498

**ENERGY SYSTEMS DESIGN**  
7135 E Camelback Rd  
Unit 275  
Scottsdale, AZ 85251  
United States  
Tel 480.481.4900

**BUHLER ENGINEERING**  
1230 W Washington St  
Suite 114  
Tempe, AZ 85288  
United States  
Tel 602.225.1575

**CAFS DESIGN**  
21602 N 2nd Ave  
#5  
Phoenix, AZ 85027  
United States  
Tel 623.414.4000



Seal / Signature

Date	Description
05.01.24	DRB
07.12.24	DRB 2
04.18.25	DRB 3
06.27.25	DRB 4

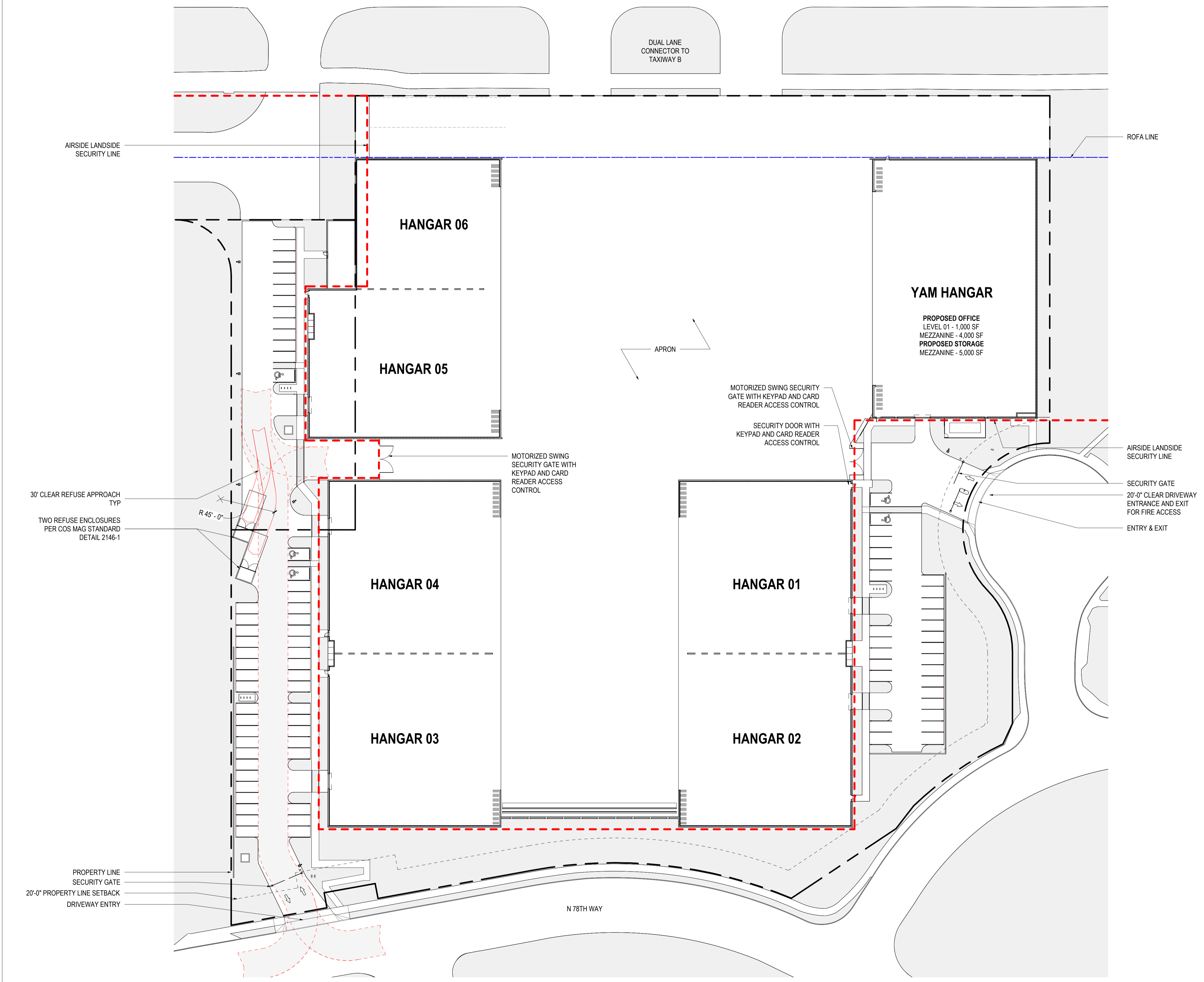
**Project Name**  
YAM Hangars at SDL  
10-DR-2024

**Project Number**  
057.8344.000

**Description**  
REFUSE PLAN

**Scale**  
As indicated

**DRB-26**



# YAM HANGARS AT SDL

## REFUSE PLAN

SCOTTSDALE, ARIZONA, 85260

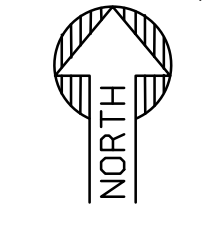
A PORTION OF THE NORTHEAST QUARTER OF SECTION 11, TOWNSHIP 3 NORTH, RANGE 4 EAST OF THE GILA AND SALT RIVER MERIDIAN, MARICOPA COUNTY, ARIZONA.

NORTHEAST QUARTER CORNER SECTION 11, T.3N., R.4E.

NORTHEAST QUARTER CORNER SECTION 11, T.3N., R.4E. CALCULATED

VICINITY MAP

NE 11 T3N R4E NTS



EXPIRATION DATE: 12-31-2027

SUSTAINABILITY ENGINEERING GROUP

SEG



5240 N. 16TH STREET SUITE 105 PHOENIX, ARIZONA 85016  
WWW.AZSEG.COM TEL. 480.688.7226 FAX. 480.259.3534

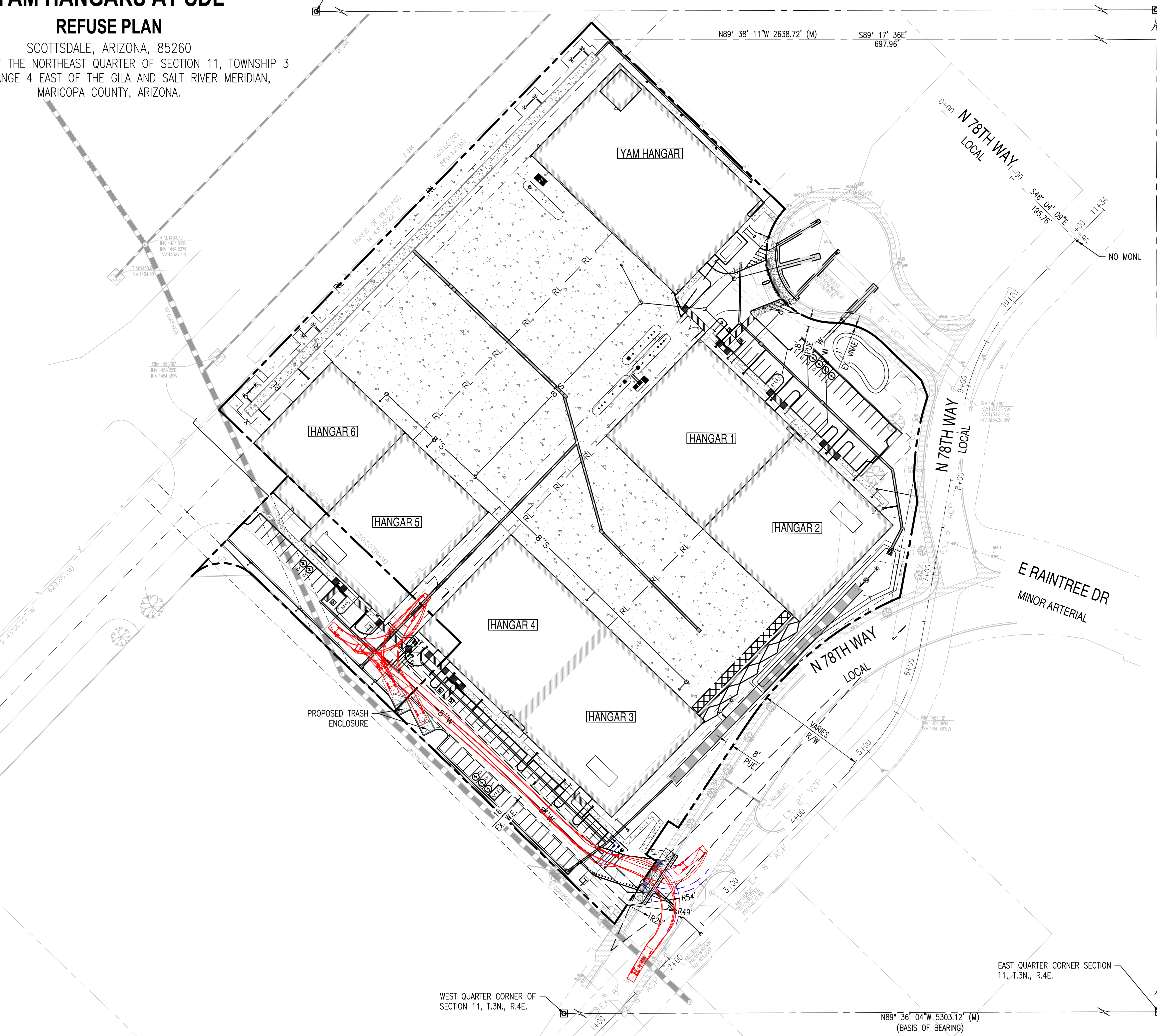
YAM HOLDINGS



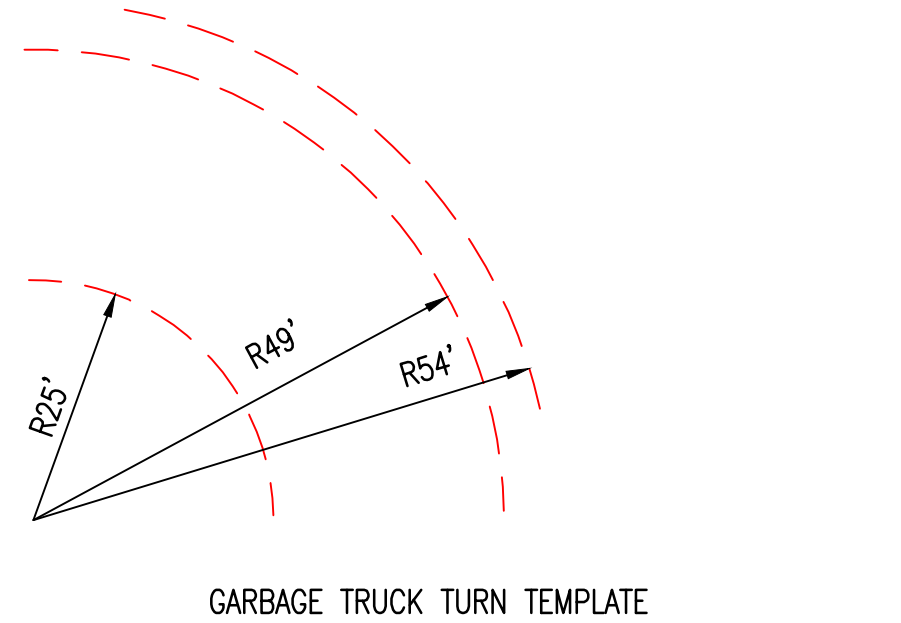
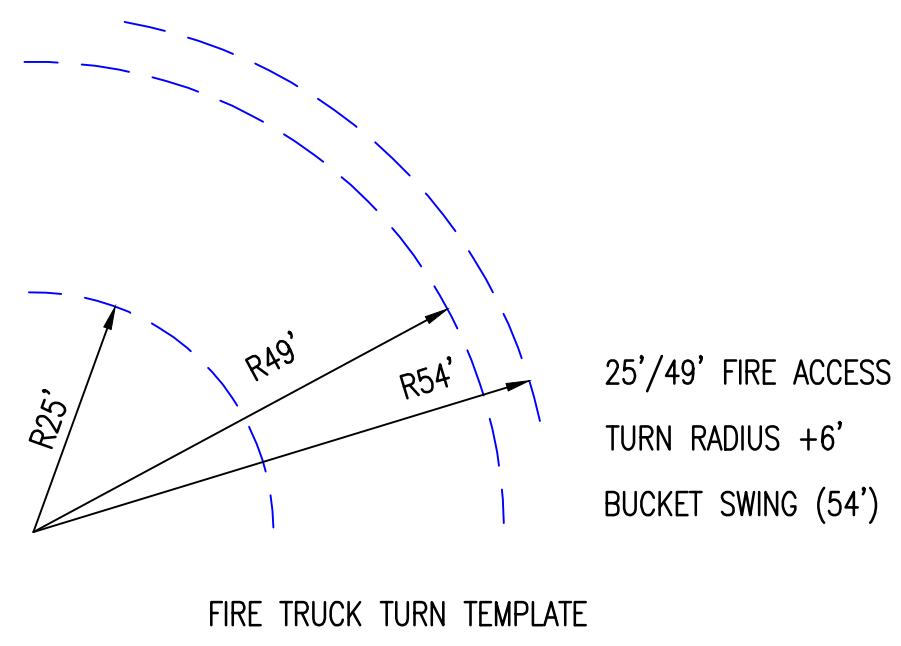
PROJECT	YAM HANGARS AT SDL
LOCATION	14930 N. 78TH WAY, SCOTTSDALE, AZ 85260
DRAWN	FFJL 06/27/2025
DESIGNED	AGDJ 06/27/2025
CHECKED	SC 06/27/2025
FINAL QC	SC 06/27/2025
PROJ. MGR.	SC 06/27/2025
DATE:	06/27/2025
ISSUED FOR:	DRB

REVISION NO.	DATE
10-DR-2024	07/09/2025
PLAN CHECK NO.	REVIEWER
10-DR-2024	rdalton

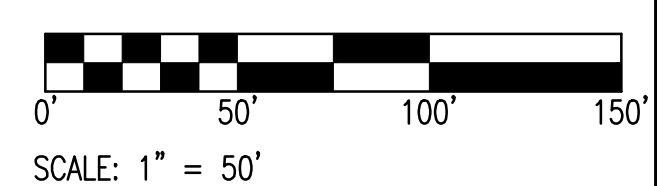
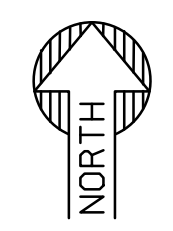
JOB NO.	240103
SHEET TITLE	REFUSE PLAN
PAGE NO.	1 OF 1
SHEET NO.	EXHIBIT



### PROPOSED LEGEND



**SITE PLAN APPROVED**  
BY CITY OF SCOTTSDALE PLAN REVIEW  
10-DR-2024 rdalton 07/09/2025  
PLAN CHECK NO. REVIEWER DATE  
CONSTRUCTION AND INSTALLATION SHALL BE IN ACCORDANCE WITH THIS PLAN AND ANY AND ALL DEVIATIONS WILL REQUIRE REAPPROVAL



SCALE: 1" = 50'

THIS DRAWING IS AN INSTRUMENT OF SERVICE AND THE PROPERTY OF SUSTAINABILITY ENGINEERING GROUP, AND SHALL REMAIN THEIR PROPERTY. THE USE OF THIS DRAWING SHALL BE RESTRICTED TO THE ORIGINAL SITE FOR WHICH IT IS PREPARED AND PUBLICATION THEREOF IS EXPRESSLY LIMITED TO SUCH USE. CASE FILE: 10-DR-2024