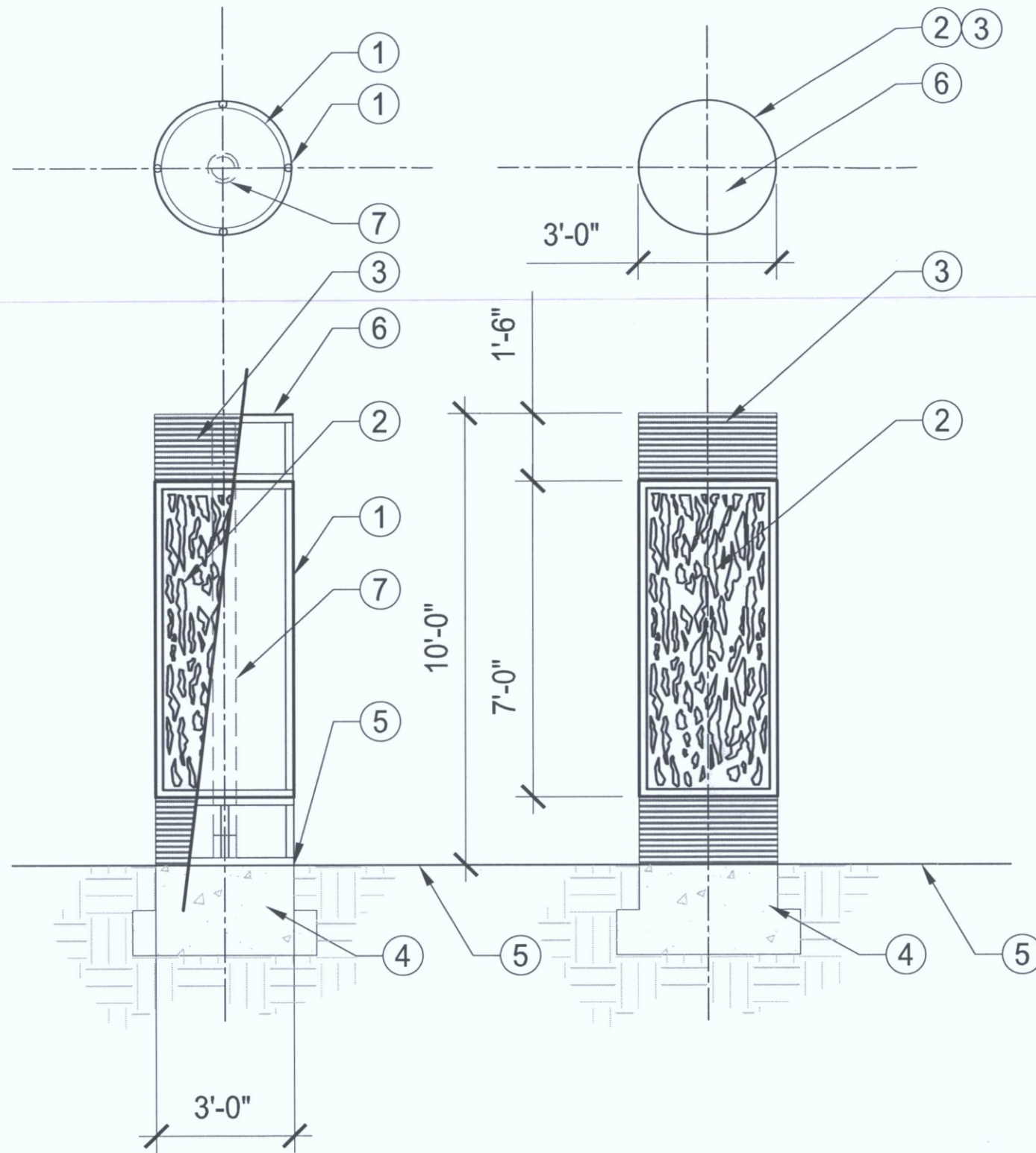

Simulations
Photos
All Graphics (no plans)

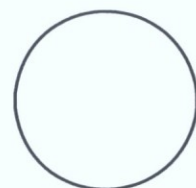




- ① LIGHT MAST LANTERN FRAME. TUBE STEEL, PROVIDE ENGINEERED SHOP DRAWINGS FOR MEMBER SIZE AND CONNECTIONS.
- ② LIGHT MAST LANTERN, WRAP IN PARASOLEIL DECORATIVE METAL PANEL "QUIET WOOD" PATTERN, COLOR SHERWIN WILLIAMS #7048 URBANE BRONZE. USE 2 HALF ARC PANELS FOR FULL CIRCUMFERENCE, FASTENERS TO FRAME INTERIOR POSTS.
- ③ SOLID METAL WRAP, 1/8" THK., COLOR SHERWIN WILLIAMS #7551 GREEK VILLA (CREAM-TAN).
- ④ CONCRETE FOOTING, REF. STRUCTURAL ENGINEER.
- ⑤ FINISH GRADE.
- ⑥ STEEL PLATE CAP. 1/8" THK., PAINT TO MATCH TRIM METAL FINISH, ATTACH TO UPPER WRAP FRAME WITH STAINLESS STEEL VANDAL RESISTANT FASTENERS.
- ⑦ LIGHT FIXTURE AND CONNECTOR TUBE, REF. ELECTRICAL PLANS.

NOTE:

- 1. REFER TO LIGHTING PLANS FOR FIXTURE TYPE AND INSTALLATION REQUIREMENTS.
- 2. PROVIDE 2 COATS OF PAINT, ALL METAL SURFACES.



LIGHT COLUMN - AIRE

SCALE: N.T.S.

STIPULATION SET
RETAIN FOR RECORDS
APPROVED
4.21.16
DATE INITIALS



SINUTIS