

# VISION VPF4

Vandal Resistant  
VPF4 Series LED

Fixture Type: **"SA"** Date: \_\_\_\_\_  
 Job Name: \_\_\_\_\_ Approved By: \_\_\_\_\_  
 Catalog Number: \_\_\_\_\_

## SPECIFICATIONS

**Description** The Vision VPF4 series features an all aluminum, ligature resistant construction which allows it to be used in nearly any environmental condition. Designed in conjunction with an ophthalmologist, the polycarbonate lens provides complete control of glare and LED image while maintaining the high efficiency of clear optical material. The Vision VPF4 series can be row mounted to any length. Natatorium finish is standard for all versions of this fixture.

**Housing** Marine grade heat treated extruded aluminum. Finished with Super Durable Corrosion Resistant powder coat (SDCR) that meets AAMA 2605 high performance specification, providing superior UV durability and corrosion resistance. Salt spray test: 4,000 hours.

**Lens** Extruded UV stabilized polycarbonate with integral prisms. Maximum wall thickness 0.160". Secured to housing with die cast aluminum clamps and stainless steel TORX® head screws.

**End Caps** Die cast marine grade aluminum with conduit knockouts that are visible from interior of end cap.

**Drivers** Dimming to 1%, 10% or Programmable Lumen Output driver options. Non-Dimming Driver is also available.

**LED** Samsung LM561B+ series @ 2700K, 3000K, 3500K, 4000K, or 5000K and 82 CRI wired in parallel-series. L<sub>70</sub> projected life of over 130,000 hours at 50°C.

**UL Listing** U.L., C.U.L. Damp Location Listing standard, Wet Location Listing optional.

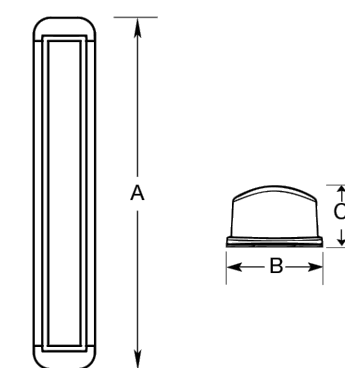
**Buy American** Luminaire LED, LLC products are assembled in the USA. Our products meet the Buy America(n) government procurement requirements under FAR, DFARS, and DOT. Please refer to [www.acuitybrands.com/buy-american](http://www.acuitybrands.com/buy-american) for additional information.

**Warranty** Lifetime warranty against vandalism. Luminaire LED will repair or replace any fixture damaged due to vandalism for the lifetime of the installation. 10-year warranty on LED boards against operational defects. Tested in accordance with LM-80.

**Note** Actual performance may differ as a result of end-user environment and application. All values are design or typical values, measured under laboratory conditions at 25 °C. Specifications subject to change without notice.

## DIMENSIONAL DATA

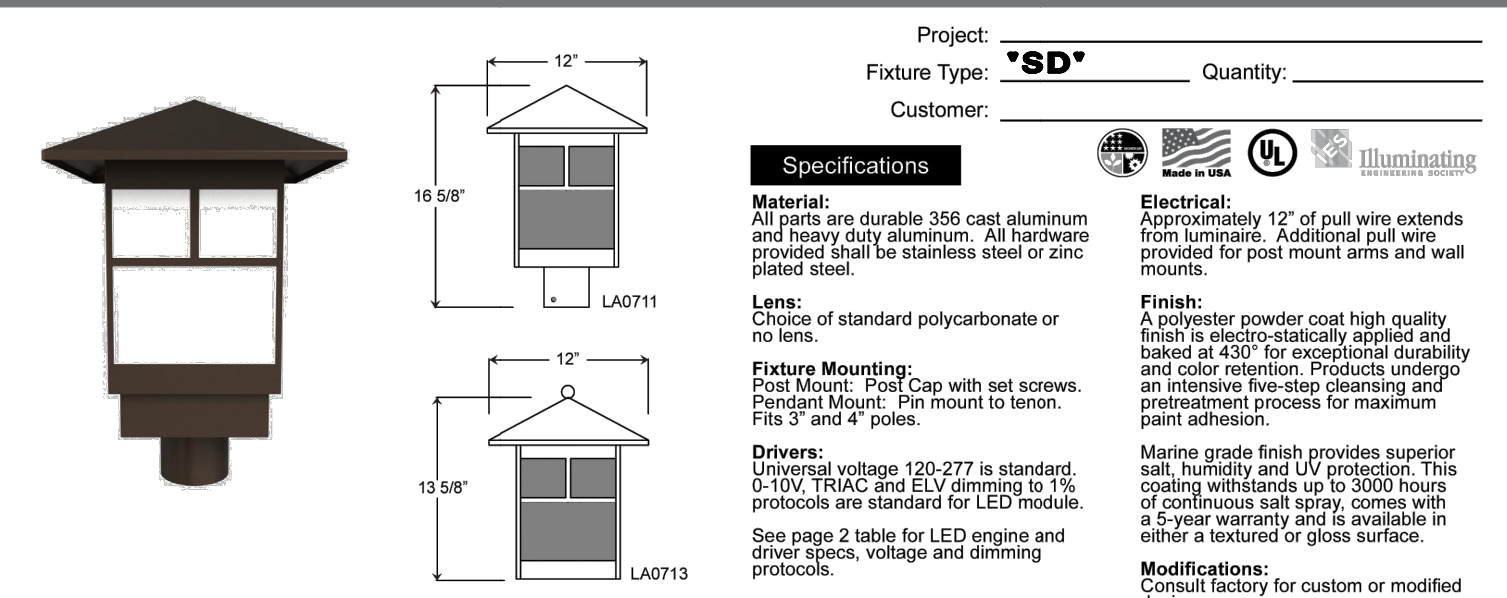
	A	B	C
VPF4 1FT	15.50	4.35	2.70
VPF4 2FT	26.10	4.35	2.70
VPF4 3FT	37.88	4.35	2.70
VPF4 4FT	49.69	4.35	2.70



Luminaire LED One Lithonia Way, Cary, GA 30012 | 1.800.705.SERV (7378) | [www.luminaireled.com](http://www.luminaireled.com)  
 © 2021 Acuity Brands Lighting, Inc. All rights reserved.

LUMINAIRE-LED-VISION-VPF4-LED Rev. 01/2021 Page 1 of 5

## ANP Lighting Specifications LA071



Project: \_\_\_\_\_  
 Fixture Type: **"SD"** Quantity: \_\_\_\_\_  
 Customer: \_\_\_\_\_

**Specifications**

**Material:** All parts are durable 356 cast aluminum and heavy duty aluminum. All hardware provided shall be stainless steel or zinc plated steel.

**Lens:** Choice of standard polycarbonate or no lens.

**Finish:** A polyester powder coat high quality finish is electrostatically applied and baked at 430° for exceptional durability and color retention. Products undergo an intensive five-step cleaning and pretreatment process for maximum paint adhesion.

**Fixture Mounting:** Post Mount: Post Cap with set screws. Pendant Mount: Pin mount to lens. Fits 3" and 4" poles.

**Drivers:** Universal voltage 120-277 is standard. 0-10V TRIAC and ELV dimming to 1% protocols are standard for LED module. See page 2 table for LED engine and driver specs, voltage and dimming protocols.

**Marine grade finish provides superior salt, humidity and UV protection. This coating withstands up to 3000 hours of continuous salt spray, comes with a 5-year warranty and is available in either a textured or gloss surface.**

**Modifications:** Consult factory for custom or modified designs.

Weight: 9.5 lbs  
 EPA: 1.0

Catalog Logo: LA071 1 FR M016LDD T5 40K PC PA5651 72

Luminaire Post Mount Lens Light Source Optics CCT Accessories Mounting Finish Source

1	2	3	4	5	6	7	8
<b>LA071</b>							
<b>1 FIXTURE ORIENTATION</b>							
1 Post							
3 Pendant							
<b>2 LENS</b>							
NL (No Lens)							
CL (Clear Acrylic)							
FR (Frosted Acrylic)							
PR (Prismatic Acrylic)							
SE (Seeded Acrylic)							
WH (White Opal Acrylic)							
<b>3 LIGHT SOURCE &amp; WATTAGES</b>							
M009LDD (9w, 850 lumen, Cree module)							
M010LDD (10w, 1250 lumen, Cree module)							
M016LDD (16w, 2000 lumen, Cree module)							
<b>4 OPTICS</b>							
W (T5 Wide Distribution with Dome LED Lens)							
N (T5 Narrow Distribution with Flat LED Lens)							
<b>5 COLOR TEMPERATURE (CCT)</b>							
27K (2700K)							
30K (3000K)							
35K (3500K)							
40K (4000K)							
<b>6 ACCESSORIES</b>							
CHC (Clear Glass Chimney)							
CHF (Frosted Glass Chimney)							
HSS90 (90° House Side Shield, polished)							
HSS120 (120° House Side Shield, polished)							
*AST36 (3 Ft. 1 1/4" Ridged Stem & Canopy)							
*PEND-CH3 (3 Ft. Pendant Chain & Canopy)							
*EMG-LED5 (5w, LED Emergency Driver, remote placement, Cree module only)							
*EMG-LED7 (7w, LED Emergency Driver, remote placement, Cree module only)							
*EMG-LED10 (10w, LED Emergency Driver, remote placement, Cree module only)							
<b>7 MOUNTING SOURCE</b>							
Post Mount Arms							
Wall Mount Arms							
*See Page 3 for Style/Size							
*See Page 3 for Style/Size							
PA5151 PA8521 WM3351 WM5601							
PA5153 PA8523 WM3353 WM5603							
PA5411 WM4511							
PA5413 WM4513							
PA5511 WM5111							
PA5513 WM5113							
PA5651 WM5151							
PA5653 WM5153							
PA8031 WM5311							
PA8033 WM5313							
<b>8 FINISHES</b>							
Material	Finish	Material	Finish	Material	Finish	Material	Finish
Aluminum	11 11A	Aluminum	11 11B	Aluminum	11 11C	Aluminum	11 11D
Aluminum	11 11E	Aluminum	11 11F	Aluminum	11 11G	Aluminum	11 11H
Aluminum	11 11I	Aluminum	11 11J	Aluminum	11 11K	Aluminum	11 11L
Aluminum	11 11M	Aluminum	11 11N	Aluminum	11 11O	Aluminum	11 11P
Aluminum	11 11Q	Aluminum	11 11R	Aluminum	11 11S	Aluminum	11 11T
Aluminum	11 11U	Aluminum	11 11V	Aluminum	11 11W	Aluminum	11 11X
Aluminum	11 11Y	Aluminum	11 11Z	Aluminum	11 11AA	Aluminum	11 11AB
Aluminum	11 11AC	Aluminum	11 11AD	Aluminum	11 11AE	Aluminum	11 11AF
Aluminum	11 11AG	Aluminum	11 11AH	Aluminum	11 11AI	Aluminum	11 11AJ
Aluminum	11 11AK	Aluminum	11 11AL	Aluminum	11 11AM	Aluminum	11 11AN
Aluminum	11 11AO	Aluminum	11 11AP	Aluminum	11 11AQ	Aluminum	11 11AR
Aluminum	11 11AS	Aluminum	11 11AT	Aluminum	11 11AU	Aluminum	11 11AV
Aluminum	11 11AW	Aluminum	11 11AX	Aluminum	11 11AY	Aluminum	11 11AZ
Aluminum	11 11BA	Aluminum	11 11BB	Aluminum	11 11BC	Aluminum	11 11BD
Aluminum	11 11BE	Aluminum	11 11BF	Aluminum	11 11BG	Aluminum	11 11BH
Aluminum	11 11BI	Aluminum	11 11BJ	Aluminum	11 11BK	Aluminum	11 11BL
Aluminum	11 11BM	Aluminum	11 11BN	Aluminum	11 11BO	Aluminum	11 11BP
Aluminum	11 11BQ	Aluminum	11 11BR	Aluminum	11 11BS	Aluminum	11 11BT
Aluminum	11 11BU	Aluminum	11 11BV	Aluminum	11 11BW	Aluminum	11 11BX
Aluminum	11 11BY	Aluminum	11 11BZ	Aluminum	11 11CA	Aluminum	11 11CB
Aluminum	11 11CC	Aluminum	11 11CD	Aluminum	11 11CE	Aluminum	11 11CF
Aluminum	11 11CG	Aluminum	11 11CH	Aluminum	11 11CI	Aluminum	11 11CJ
Aluminum	11 11CK	Aluminum	11 11CL	Aluminum	11 11CM	Aluminum	11 11CN
Aluminum	11 11CO	Aluminum	11 11CP	Aluminum	11 11CQ	Aluminum	11 11CR
Aluminum	11 11CS	Aluminum	11 11CT	Aluminum	11 11CU	Aluminum	11 11CV
Aluminum	11 11CW	Aluminum	11 11CX	Aluminum	11 11CY	Aluminum	11 11CZ
Aluminum	11 11DA	Aluminum	11 11DB	Aluminum	11 11DC	Aluminum	11 11DD
Aluminum	11 11DE	Aluminum	11 11DF	Aluminum	11 11DG	Aluminum	11 11DH
Aluminum	11 11DI	Aluminum	11 11DJ	Aluminum	11 11DK	Aluminum	11 11DL
Aluminum	11 11DM	Aluminum	11 11DN	Aluminum	11 11DO	Aluminum	11 11DP
Aluminum	11 11DQ	Aluminum	11 11DR	Aluminum	11 11DS	Aluminum	11 11DT
Aluminum	11 11DU	Aluminum	11 11DV	Aluminum	11 11DW	Aluminum	11 11DX
Aluminum	11 11DY	Aluminum	11 11DZ	Aluminum	11 11EA	Aluminum	11 11EB
Aluminum	11 11EJ	Aluminum	11 11EK	Aluminum	11 11EL	Aluminum	11 11EM
Aluminum	11 11EN	Aluminum	11 11EO	Aluminum	11 11EP	Aluminum	11 11EQ
Aluminum	11 11ER	Aluminum	11 11ES	Aluminum	11 11ET	Aluminum	11 11EU
Aluminum	11 11EV	Aluminum	11 11EW	Aluminum	11 11EX	Aluminum	11 11EY
Aluminum	11 11EZ	Aluminum	11 11FA	Aluminum	11 11FB	Aluminum	11 11FC
Aluminum	11 11FD	Aluminum	11 11FE	Aluminum	11 11FF	Aluminum	11 11FG
Aluminum	11 11FH	Aluminum	11 11FI	Aluminum	11 11FJ	Aluminum	11 11FK
Aluminum	11 11FL	Aluminum	11 11FM	Aluminum	11 11FN	Aluminum	11 11FO
Aluminum	11 11FP	Aluminum	11 11FQ	Aluminum	11 11FR	Aluminum	11 11FS
Aluminum	11 11FT	Aluminum	11 11FU	Aluminum	11 11FV	Aluminum	11 11FW
Aluminum	11 11FX	Aluminum	11 11FY	Aluminum	11 11FZ	Aluminum	11 11GA
Aluminum	11 11GB	Aluminum	11 11GC	Aluminum	11 11GD	Aluminum	11 11GE
Aluminum	11 11GF	Aluminum	11 11GG	Aluminum	11 11GH	Aluminum	11 11GI
Aluminum	11 11GJ	Aluminum	11 11GK	Aluminum	11 11GL	Aluminum	11 11GM
Aluminum	11 11GN	Aluminum	11 11GO	Aluminum	11 11GP	Aluminum	11 11GQ
Aluminum	11 11GR	Aluminum	11 11GS	Aluminum	11 11GT	Aluminum	11 11GU
Aluminum	11 11GV	Aluminum	11 11GW	Aluminum	11 11GX	Aluminum	11 11GY
Aluminum	11 11GZ	Aluminum	11 11HA	Aluminum	11 11HB	Aluminum	11 11HC
Aluminum	11 11HD	Aluminum	11 11HE	Aluminum	11 11HF	Aluminum	11 11HG
Aluminum	11 11HI	Aluminum	11 11HJ	Aluminum	11 11HK	Aluminum	11 11HL
Aluminum	11 11HM	Aluminum	11 11HN	Aluminum	11 11HO	Aluminum	11 11HP
Aluminum	11 11HQ	Aluminum	11 11HR	Aluminum	11 11HS	Aluminum	11 11HT
Aluminum	11 11HU	Aluminum	11 11HV	Aluminum	11 11HW	Aluminum	11 11HX
Aluminum	11 11HY	Aluminum	11 11HZ	Aluminum	11 11IA	Aluminum	11 11IB
Aluminum	11 11IC	Aluminum	11 11ID	Aluminum	11 11IE	Aluminum	11 11IF
Aluminum	11 11IG	Aluminum	11 11IH	Aluminum	11 11II	Aluminum	11 11IJ
Aluminum	11 11IK	Aluminum	11 11IL	Aluminum	11 11IM	Aluminum	11 11IN
Aluminum	11 11IO	Aluminum	11 11IP	Aluminum	11 11IQ	Aluminum	11 11IR
Aluminum	11 11IS	Aluminum	11 11IT	Aluminum	11 11IU	Aluminum	11 11IV
Aluminum	11 11IW	Aluminum	11 11IX	Aluminum	11 11IY	Aluminum	11 11IZ
Aluminum	11 11JA	Aluminum	11 11JB	Aluminum	11 11JC	Aluminum	11 11JD
Aluminum	11 11JE	Aluminum	11 11JF	Aluminum	11 11JG	Aluminum	11 11JH
Aluminum	11 11JI	Aluminum	11 11JJ	Aluminum	11 11JK	Aluminum	11 11JL
Aluminum	11 11JM	Aluminum	11 11JN	Aluminum	11 11JO	Aluminum	11 11JP
Aluminum	11 11JQ	Aluminum	11 11JR	Aluminum	11 11JS	Aluminum	11 11JT
Aluminum	11 11JU	Aluminum	11 11JV	Aluminum	11 11JW	Aluminum	11 11JX
Aluminum	11 11JY	Aluminum	11 11JZ	Aluminum	11 11KA	Aluminum	11 11KB
Aluminum	11 11KD	Aluminum	11 11KE	Aluminum	11 11KF	Aluminum	11 11KG
Aluminum	11 11KH	Aluminum	11 11KI	Aluminum	11 11KJ	Aluminum	11 11KK
Aluminum	11 11KL	Aluminum	11 11KM	Aluminum	11 11KN	Aluminum	11 11KO
Aluminum	11 11KP	Aluminum	11 11KQ	Aluminum	11 11KR	Aluminum	11 11KS
Aluminum	11 11KT	Aluminum	11 11KU	Aluminum	11 11KV	Aluminum	11 11KW
Aluminum	11 11KY	Aluminum	11 11KZ	Aluminum	11 11LA	Aluminum	11 11LB
Aluminum	11 11LC	Aluminum	11 11LD	Aluminum	11 11LE	Aluminum	11 11LF
Aluminum	11 11LG	Aluminum	11 11LH	Aluminum	11 11LI	Aluminum	11 11LJ
Aluminum	11 11LK	Aluminum	11 11LL	Aluminum	11 11LM	Aluminum	11 11LN
Aluminum	11 11LO	Aluminum	11 11LP	Aluminum	11 11LQ	Aluminum	11 11LR
Aluminum	11 11LS	Aluminum	11 11LT	Aluminum	11 11LU	Aluminum	11 11LV
Aluminum	11 11LW	Aluminum	11 11LX	Aluminum	11 11LY	Aluminum	11 11LZ
Aluminum	11 11MA	Aluminum	11 11MB	Aluminum	11 11MC	Aluminum	11 11MD
Aluminum	11 11ME	Aluminum	11 11MF	Aluminum	11 11MG	Aluminum	11 11MH
Aluminum	11 11MI	Aluminum	11 11MJ	Aluminum	11 11MK	Aluminum	11 11ML
Aluminum	11 11MN	Aluminum	11 11MO	Aluminum	11 11MP	Aluminum	11 11MQ
Aluminum	11 11MR	Aluminum	11 11MS	Aluminum	11 11MT	Aluminum	11 11MU
Aluminum	11 11MV	Aluminum	11 11MW	Aluminum	11 11MX	Aluminum	11 11MY
Aluminum	11 11MZ	Aluminum	11 11NA	Aluminum	11 11NB	Aluminum	11 11NC
Aluminum	11 11ND	Aluminum	11 11NE	Aluminum	11 11NF	Aluminum	11 11NG
Aluminum	11 11NH	Aluminum	11 11NI	Aluminum	11 11NJ	Aluminum	11 11NK
Aluminum	11 11NL	Aluminum	11 11NN	Aluminum	11 11NO	Aluminum	11 11NP
Aluminum	11 11NQ	Aluminum	11 11NR	Aluminum	11 11NS	Aluminum	11 11NT
Aluminum	11 11NU	Aluminum	11 11NV	Aluminum	11 11NW	Aluminum	11 11NX
Aluminum	11 11NY	Aluminum	11 11NZ	Aluminum	11 11OA	Aluminum	11 11OB
Aluminum	11 11OC	Aluminum	11 11OD	Aluminum	11 11OE	Aluminum	11 11OF
Aluminum	11 11OH	Aluminum	11 11OI	Aluminum	11 11OJ	Aluminum	11 11OK
Aluminum	11 11OL	Aluminum	11 11OM	Aluminum	11 11ON	Aluminum	11 11OO
Aluminum	11 11OP	Aluminum	11 11OQ	Aluminum	11 11OR	Aluminum	11 11OS
Aluminum	11 11OT	Aluminum	11 11OU	Aluminum	11 11OV	Aluminum	11 11OW
Aluminum							



# TO Exhibitor STAR

TYPE 'SH'



## HK USA Lighting Group

Project Name \_\_\_\_\_  
Fixture Type **'SJ'**

### ZXL16-CPV-WM/ZXL16i-CPV-WM LED Wall Mount - ZXL16 Series



#### Product Features

- Adjustable wall mount fixture with center pivot stem.
- ETL outdoor wet location listed, IP65 standard.
- Machined from solid billet 6061-T6 corrosion resistant aluminum.
- Swivel stem insert allows for precision adjustment during installation.
- Unique weep hole design in hood allows for either upward or downward facing installation with minimum light leak.
- Modular components - field changeable LED module & beam spread reflectors.

#### Specification

Materials: Machined from billet 6061-T6 corrosion resistant aluminum with 304 stainless steel hardware. Available in 304/316 stainless steel or 360 brass upon request.

Hood and Glare Shield: 3 available hood options to suit any application. 3 optional glare shields (short, long, angled) to complement each hood choice. See page 3 for details.

Wattages: 5, 7 or 10W HK LED, 8W AMBER LED.

Voltage: 12V AC or line voltage. 12V model requires remote transformer. Line voltage models come with integral transformer.

Light Source: CRI 83. Available in CRI95 upon request. The chromaticity range is within a 3-step MacAdam Ellipse. Standard CCT options are 2700K, 3000K, 4000K.

Lamp Base/Socket: Innovative cone-shaped lamp base and receptacle socket maximize the surface contact area to dissipate heat more effectively. See "Resources" for details.

Dimmability: 12V - MLV or ELV depending on the transformer used. Line voltage - 0-10V dimming, phase dimming@120V.

Finish: Polyester powder coat on all aluminum materials with RoHS compliant procedures. Anodized finish is available. Stainless steel and brass models are provided with brushed surface.

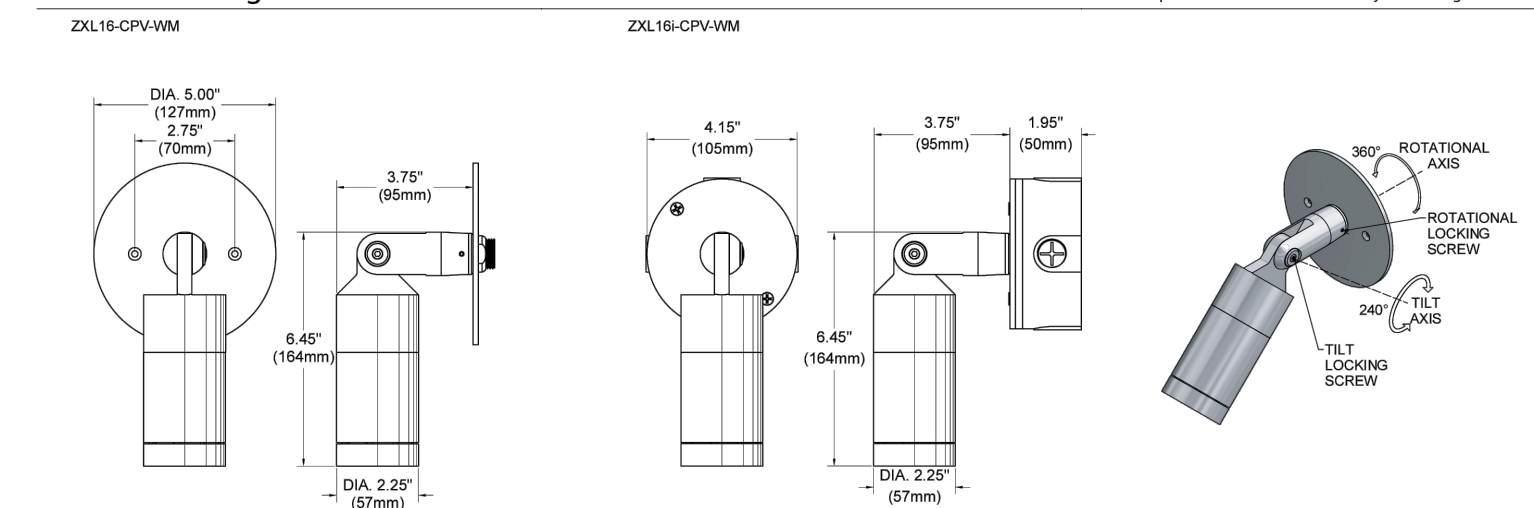
Optical Accessories: Accepts up to 3 accessories (hazel louvers, optical lenses, dichroic color filters, etc.). Secured in place with metal snap ring.

Mounting Accessory: Utilizes 2x 8-32 UNC machine screws (provided) to attach to a standard octagon recessed back box (provided by others).

#### Ordering Guide

SERIES	MATERIAL	HOOD	GLARE SHIELD	VOLTAGE	WATTAGE	CCT	OPTICS	DIMMING	FINISH	OPTIONAL ACCESSORIES	MOUNTING ACCESSORIES
ZXL16-CPV-WM	BLANK Aluminum (Standard)	A - A HOOD	GSL	12 12V	5 SW	27 2700K	20 20°	PH Phase dimming	Standard BK	LVR Hazel Louver	See page 3 for quick reference or "Accessories" link
ZXL16i-CPV-WM	NBR Natural Brass	B - B HOOD	GSA	12V	7 SW	30 3000K	33 33°	0-10V only	WP White Powder Coat	COL Color Lens	See page 3 for quick reference or "Accessories" link
ZXL16i-CPV-WM	NSS Natural Stainless Steel	C - C HOOD	CGS	120-277V	10 10W	40 4000K	44 44°	0-10V @ 120V dimming	SS Stainless Steel	DF Dichroic Filter	See page 3 for quick reference or "Accessories" link
ZXL16i-CPV-WM	CU Natural Copper		CGS		AMB 8W	AMBER	57 57°	0-10V @ 120V dimming	ACL Anodized Clear	CC Custom Powder Coat	

#### Product Drawings



HK USA Lighting Group 3529 Old Conejo Road #118 Newbury Park CA 91320 TEL 805 480 4881 FAX 805 480 4811 sales@hklightinggroup.com

## CORE/WL 6 ROUND, WET LOCATION, DIRECT ILLUMINATION

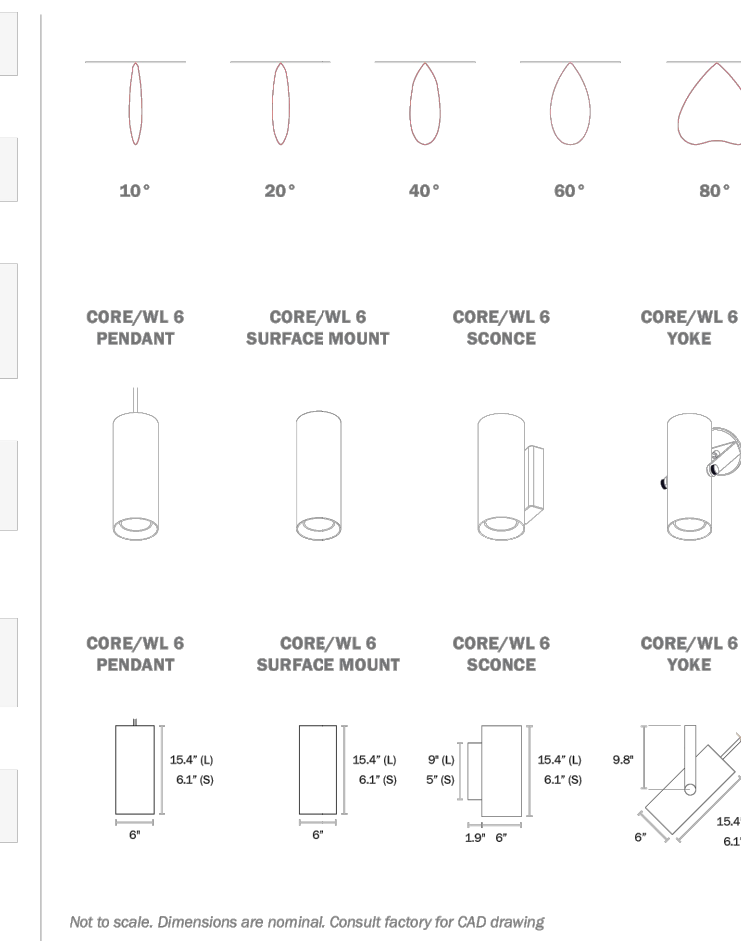
TYPE 'SK'



#### SPECIFICATIONS

PROFILE	Round
SIZE	6" diameter
LED OUTPUT	700lm - 4,000lm
CCT/CRI	2700K/3000K/3500K/4000K • 83 CRI or 98 CRI
DIMMING/DRIVER	Internal, Canopy, and Remote Driver: 0-10V, Phase, DALI, DMX, eLoLED, Lutron®. Dimming to 0% for select models.
POWER	5.6W to 39.1W per fixture
INPUT	100VAC to 277VAC Phase dimmable versions are 120VAC only.
OPTICS	10° - 80° distribution spun aluminum reflectors. Field replaceable without tools.
FINISHES	Powder coat - TGIC polyester for exterior and interior use
MATERIAL	Extruded aluminum with stainless steel hardware
ENVIRONMENT	Wet location, IP66 rated LED module
WELL	For UGR values and recommended options that contribute to meeting the WELL Building Standard™ see WELL addendum.

#### DISTRIBUTIONS & PROFILES



\*Safety and Performance information available on last page. Output and other specifications available on page 6.

CORE/WL 6 - SPECIFICATIONS  
ROUND, WET LOCATION, DIRECT ILLUMINATION

ALWUSA.COM

## MANUFACTURER CUT SHEETS OF ALL PROPOSED EXTERIOR LIGHTING

NO SCALE

**PRELIMINARY  
NOT FOR CONSTRUCTION**

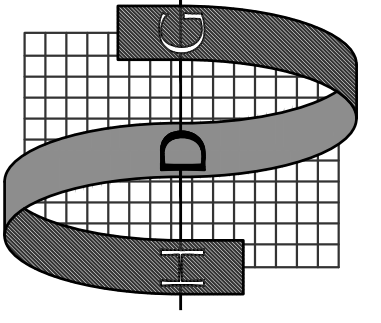
DESIGN CODES  
IECC: 2015 NEC: 2014

ELECTRICAL CONTRACTOR SHALL NOTIFY DESIGNER/ENGINEER PRIOR TO ANY DEVIATION FROM THIS SET OF ELECTRICAL DESIGN PLANS. ANY CHANGES TO THE DESIGN, IF APPROVED BY ENGINEER, WILL REQUIRE REVISIONS TO PLANS AND POSSIBLE ADDITIONAL SERVICE FEE.

IF DRAWING IS NOT PLOTTED AT 24 X 36 THEY ARE NOT FULL SIZE

All concepts, designs and data indicated on these drawings are the sole property of the Hawkins Design Group Inc., and shall not be used for any other purpose other than originally intended without written permission of the engineer.

HAWKINS DESIGN GROUP INC.  
ELECTRICAL CONSULTING ENGINEERS  
1140 WEST HARVELL ROAD  
GILBERT, ARIZONA 85235  
PH: 480.983.9000 FAX: 480.983.9001  
EMAIL: email@hawkinsdg.com



Project Name and Address:  
**HEADWATERS RESIDENTIAL  
HEALTH CARE FACILITY**  
100th St. & FLW Blvd.  
Scottsdale, AZ

Revision / Issue

Date

No. <<<<<<

Seal:  
**PRELIMINARY NOT FOR CONSTRUCTION**  
Expires: XX/XX/XX

Project Number:  
22475  
Project Designer / Contact:  
TODD ZIERES

Sheet:  
**21.dd**  
(2 of 2 SHEETS)