

**Marked Agendas
Approved Minutes
Approved Reports**

**The December 15, 2016
Development Review Board
Meeting Agenda and
Minutes can be found at**

<http://www.scottsdaleaz.gov/boards/development-review-board>

DEVELOPMENT REVIEW BOARD REPORT



Meeting Date: December 15, 2016 Item No. 4
General Plan Element: *Public Services and Facilities*
General Plan Goal: *Encourage provision of power and communication systems that match the character of Scottsdale and provide reliable, efficient, service for Scottsdale citizens, visitors, and businesses.*

ACTION

**Verizon PHO Zuzu Valley Ho 2 Small Cell
44-DR-2016**

Location: Southwest corner of E. Main St. and N. Scottsdale Rd.

Request: Request approval for a new Type 3 wireless communication facility (WCF) to be concealed inside a replacement 27-foot-tall Old Town Scottsdale sign, located within the public right-of-way on the south side of E. Main Street, west of N. Scottsdale Road.

OWNER

City of Scottsdale
480-312-4138

ARCHITECT/DESIGNER

Young Design Corp.

ENGINEER

Young Design Corp.

APPLICANT CONTACT

Marck Sawyer
Smartlink, LLC
480-550-2088

BACKGROUND

Zoning

This site is zoned Central Business District, Downtown Overlay (C-2 DO)

Context

The Old Town Scottsdale sign pole is located within the public right-of-way at the southwest corner of N. Scottsdale Road and E. Main Street.

Adjacent Uses and Zoning

- North Art Gallery, zoned C-2 DO
- South Art Gallery, zoned C-2 DO
- East (across Scottsdale Road) Restaurant, zoned C-2 DO
- West Art Galleries, zoned C-2 DO

Key Items for Consideration

- This will be the first time a wireless communication facility will be placed inside of a replacement Old Town Scottsdale sign pole.
- Wireless carrier and City staff opted not to place a WCF on the traffic signal pole at the intersection of Main and Scottsdale, due to the importance of aesthetics at this signature intersection.

DEVELOPMENT PROPOSAL

Goal/Purpose of Request

Verizon Wireless is requesting approval to construct a new Type 3 “small cell” alternative concealment wireless communication inside of a replacement Old Town Scottsdale sign pole within the public right-of-way, at the intersection of N. Scottsdale Road and E. Main Street. Section 7.200.H of the Scottsdale Zoning Ordinance requires Development Review Board approval for any alternative concealment type wireless communication facilities.

The purpose of the small cell wireless communication facilities is to provide additional network capacity in areas where cellular service demand is high. This small cell WCF will cover the center portion of Old Town Scottsdale.

The proposal is to replace the existing, approximate 27-foot-tall, Old Town Scottsdale sign pole, with a new 27-foot-tall Old Town Scottsdale Sign Pole, which will conceal wireless communication facility antennas, and associated radio equipment inside the new pole, so they will not be visible to the general public. The new pole will be painted to match the color(s) of all the other Old Town Scottsdale signs along Scottsdale Road. With this construction, the Old Town Scottsdale sign will also be rotated 180 degrees so the alignment is similar to the other signs.

Because the radio equipment will be located inside the new pole, the only new ground-mounted equipment will be an electric meter, which is required by the utility company. The new meter will be located between the new short and tall pole, be painted to match the pole and screened by landscaping as feasible.

Neighborhood Communication

Initially the plan was to co-locate a new WCF on the replacement signal pole, at the northwest corner of Scottsdale Road and Main Street. After the applicant notified the nearby property owners in January 2016, there was a concern about adding a radio equipment cabinet and electric meter to the pedestrian landscaped environment. Since Verizon could not make any building-mounted antenna sites work with adjacent property owners, they began working on this application.

July 15, 2016: Applicant mailed project notices to property owners within 750 feet of the property,

and then spoke with nearby businesses regarding the request.

September 28, 2016: City staff mailed project submittal notification postcards to property owners within 750 feet, and the City's interested parties list.

November 9, 2016: Both applicant and City staff meet on-site with business owners Mr. Shipp, Ms. Atkinson, and the Cavalliere's to discuss the proposal, and the electric meter location. The business owners expressed concerns about other existing irrigation, traffic signal, and electrical utility boxes at the intersection and in the Downtown Area.

STAFF RECOMMENDATION

Recommended Approach:

Staff recommends that the Development Review Board approve case 44-DR-2016 per the attached stipulations.

RESPONSIBLE DEPARTMENT

Planning and Development Services

Current Planning Services

STAFF CONTACT

Keith Niederer
Senior Planner
480-312-2953
E-mail: kniederer@ScottsdaleAZ.gov

APPROVED BY



Keith Niederer, Report Author

12-6-2016

Date



Steve Venker, Development Review Board Coordinator
Phone: 480-312-2831 E-mail: svenker@scottsdaleaz.gov

12/6/16

Date



Randy Grant, Director
Planning and Development Services
480-312-2664, rgrant@scottsdaleaz.gov

12/8/16

Date

ATTACHMENTS

- A. Stipulations/Zoning Ordinance Requirements
 - 1. Context Aerial
 - 1A. Close-Up Aerial
 - 2. Zoning Map
 - 3. Applicant's Narrative
 - 4. Photo Simulation
 - 5. Plans
 - 6. Neighborhood Involvement
 - 7. City Notification Map
 - 8. Correspondence

**Stipulations for the
Development Review Board Application:
Verizon PHO Zuzu Valley Ho 2 Small Cell
Case Number: 44-DR-2016**

These stipulations are intended to protect the public health, safety, welfare, and the City of Scottsdale.

APPLICABLE DOCUMENTS AND PLANS:

1. Except as required by the Scottsdale Revised Code, the Design Standards and Policies Manual (DSPM), and the other stipulations herein, the site design and construction shall substantially conform to the following documents:
 - a. Architectural elements, including dimensions, materials, form, color, and texture shall be constructed to be consistent with the building elevations submitted by Young Design Corp. and Verizon Wireless, with a city staff date of 11/14/2016.
 - b. The location and configuration of all site improvements shall be consistent with the site plan submitted by Young Design Corp. and Verizon Wireless, with a city staff date of 11/14/2016.

ARCHITECTURAL DESIGN:

DRB Stipulations

2. All antennas, cables, radios and other equipment shall be located on the inside of the replacement sign pole, and shall not be visible.
3. Colors of replacement pole shall be similar to the Old town Scottsdale sign at the northeast corner of Main Street and Scottsdale Road.
4. Electric meter shall be placed between the two new poles, and be painted to match the poles.

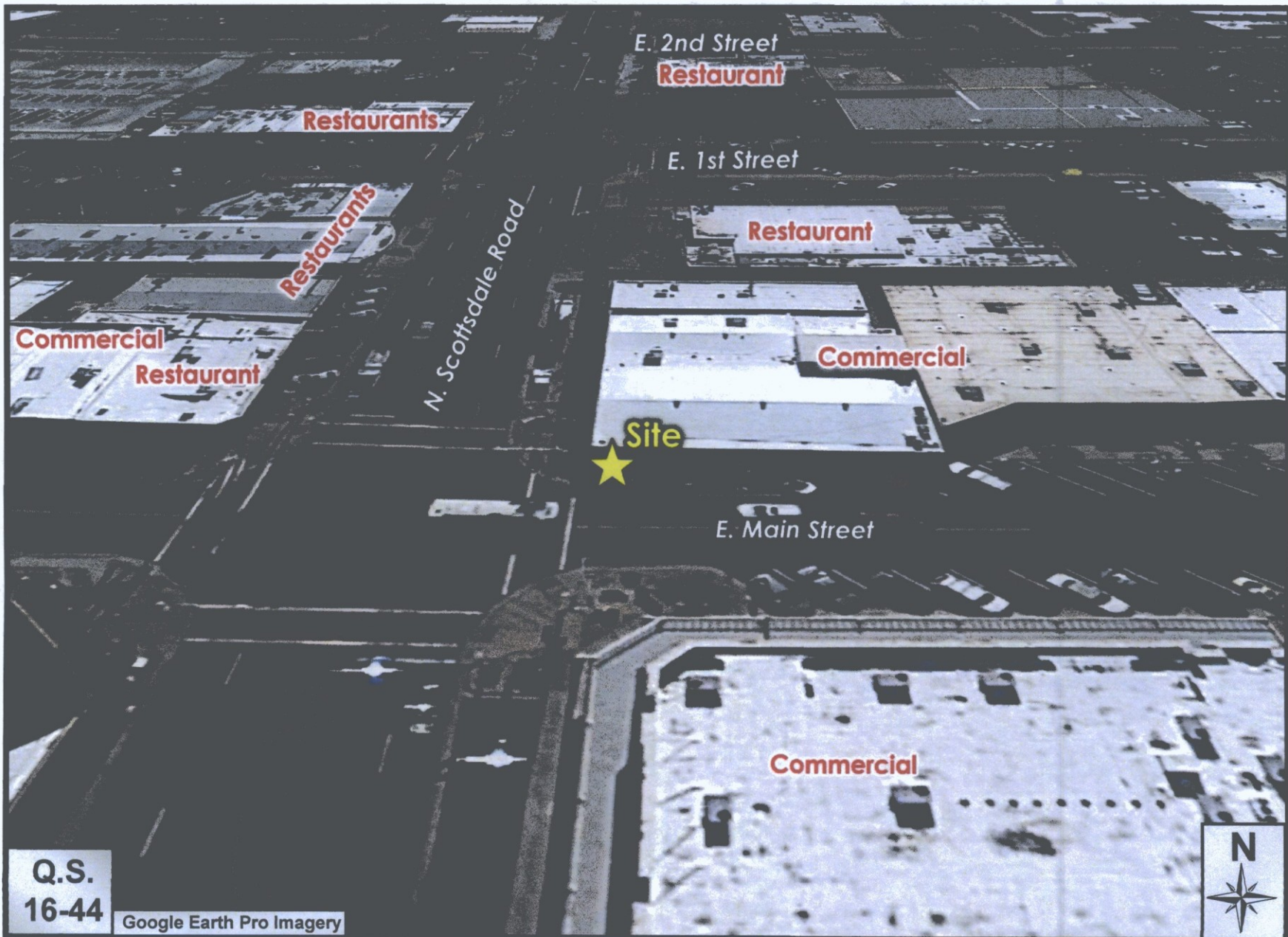
ADDITIONAL ITEMS:

DRB Stipulations

5. With the final plans submittal, the developer shall submit a completed Antenna Site Right-of-Way License Agreement (ARLA) document that has been approved by the City's Telecommunications Policy Coordinator.
6. Prior to construction, the applicant shall obtain permission to work in the right-of-way (Encroachment Permit) from the City of Scottsdale. Submittal for this permit shall include a barricade and traffic control plan.

7. Prior to any construction, schedule a pre-construction meeting with Inspection Services by calling 480-312-5750.

8. Prior to or during the issuance of permits, the applicant shall pay the first year rent for the Antenna Site Right-of-Way License Agreement (ARLA) to the One Stop Shop.

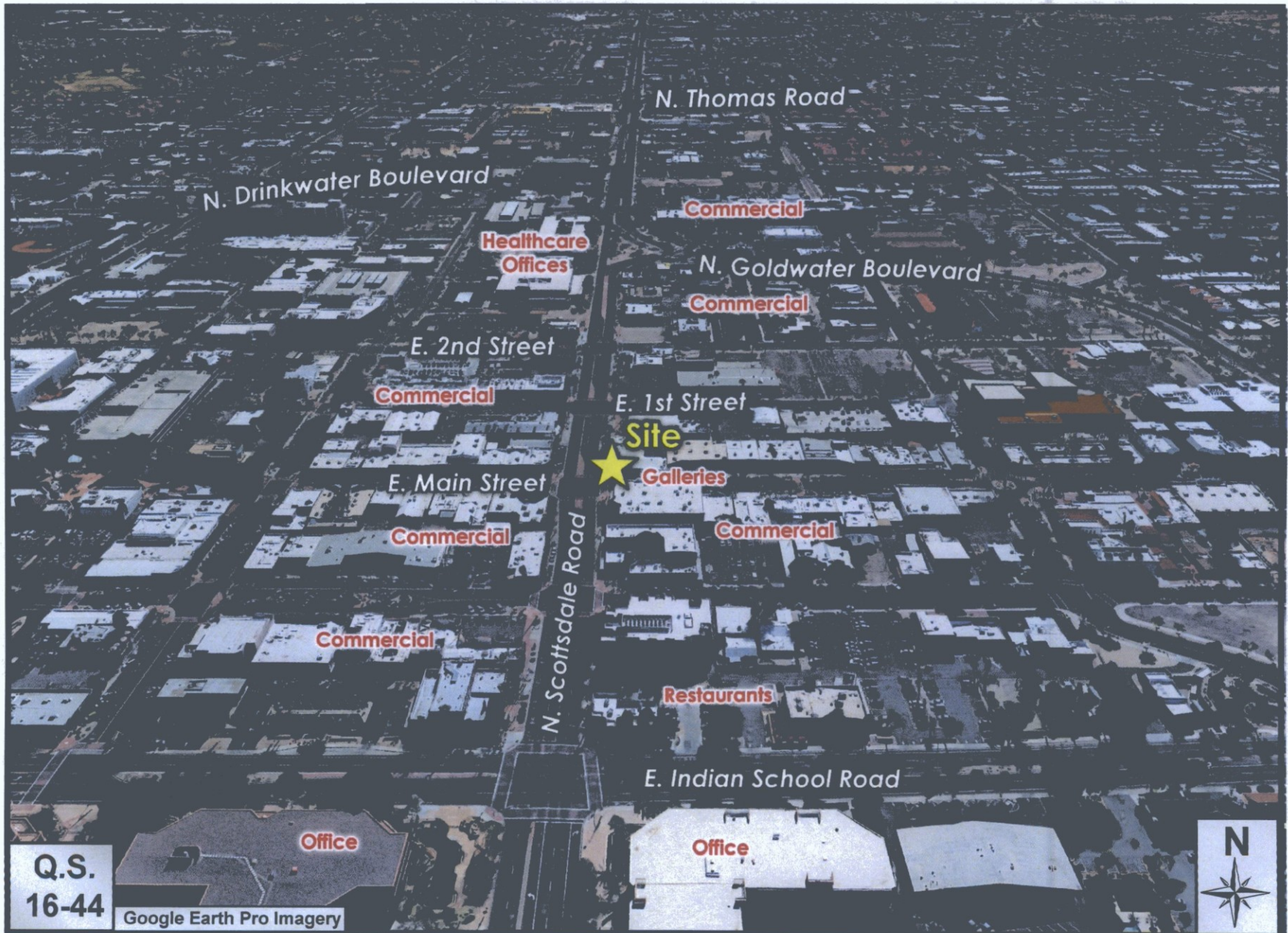


Q.S.
16-44

Google Earth Pro Imagery

Pho_Zuzu_Valleyho_2 Verizon Wireless Small Cell

44-DR-2016



Pho_Zuzu_Valleyho_2 Verizon Wireless Small Cell

44-DR-2016



Pho_Zuzu_Valleyho_2 Verizon Wireless Small Cell

44-DR-2016



Project Submittal Narrative
Verizon Small Cell Proposal
PHO_ZUZU-VALLEYHO_2_SC
ROW (Southwest Corner of Scottsdale Road and Main Street)



Submitted By:
Marck Sawyer
Smartlink LLC
605 West Knox Road, Suite 210, Tempe, Arizona 85284
(480) 550-2088 /marck.sawyer@smartlinkllc.com

44-DR-2016
11/14/16

ATTACHMENT #3

Verizon Small Cell Project
PHO_ZUZU-VALLEYHO_2_SC
ROW (Southwest Corner of Scottsdale Road and Main Street)

Description of the Site / Purpose of Modification:

This application is for placement of 2 small cell antennas and equipment to be located inside the 26'-9" Replacement City of Scottsdale sign post situated within the City of Scottsdale right of way on the southwest corner of Scottsdale Road and Main Street. The proposed small cell facility will handle the additional demand for wireless data and voice service for the surrounding area. Given the increasing amount of data traffic in the area associated with Downtown Scottsdale, the Arts District, existing businesses and tourist traffic, this proposed small cell would help alleviate pressure on the existing Verizon Wireless macro site.

Zoning & Land Uses of the Subject Parcel & Adjacent Property

Zoning District of Subject Parcel: ROW

Land Use of 14'+/- right of way is for the City of Scottsdale sign post, public utilities and a landscape buffer to 3908 N. Scottsdale Road. The existing sign post is situated on the southwest corner of Scottsdale Road and Main Street (as identified in the aerial photo below).

Surrounding Land Uses are C-2 to the north, south and east. Northeast zoning is (D/RS-1). The proposal is to locate the small cell antennas and equipment inside the City of Scottsdale sign post, unseen and stealth, replacing the existing sign post. The sign post will remain the same in height, color and texture. Visibility to the site from adjacent uses will not be affected as the antennas and equipment will be hidden inside the replacement sign post. The antennas will be placed at a 20' center inside the post. The existing sign will be rotated 180 degrees to face Scottsdale Road.

An aerial photo of the site is below; photos of the surrounding area are located on Exhibit "A".



Source: Google Earth

Proposed Modification

The proposed array is comprised of (2) two 55" Antennas, with eight lines of 7/8' coax inside the replacement 26'-9" sign post. The proposed City of Scottsdale sign post replacement application will also consist of placing the equipment inside the pole along with the antennas. Cabling will be concealed within the pole and underground, as specified in the City of Scottsdale Wireless Code. **The sign will be painted and textured the same color as the City of Scottsdale sign on the northeast corner of Scottsdale Road and Main Street.** The only change will consist of the sign being rotated 180 degrees to face Scottsdale Road thus precipitating a rotation of the post. **The electric APS power meter will be designed and placed between the replacement poles, painted to match and hidden as much as possible.** This design will allow for a much less obtrusive and visible meter. This meter placement was approved on site by the Old Town Merchants Association and Blen Shipp, owner, American Fine Art Gallery.

Access to the facility and adjacent equipment cabinet will be limited to authorized personnel only. The communication facility will have no impact to vehicular or pedestrian pattern; it does and will not utilize connection to any water system, refuse collection, or sewer system. The existing and proposed equipment does and will not emit any odor, dust, gas, noise, vibration, smoke, heat or glare.

Exhibit "A"

Property Looking North



Property Looking to the East



Property Looking to the South



Property Looking to the West



PHOTOGRAPHIC SIMULATION

PROPOSED WIRELESS COMMUNICATIONS FACILITY



10245 e via linda suite 211
scottsdale az 85258

480 451 9609 office
480 451 9608 fax

SITE LOCATION MAP



SITE NAME: PHO_ZUZU-VALLEYHO_2_SC

SITE LOCATION: SOUTHWEST CORNER OF E. MAIN STREET AND SCOTTSDALE RD. SCOTTSDALE, AZ 85251

DATE: 12/7/2016

APPLICANT: SMARTLINK, L.L.C.
605 W. KNOX ROAD, STE 210
TEMPE, AZ, 85284

CONTACT: MARCK SAWYER
(480) 550-2088

ATTACHMENT #4

2016 GOOGLE MAPS

The included Photograph Simulation(s) are intended as visual representations only and should not be used for construction purposes. The materials represented within the included Photograph Simulation(s) are subject to change.

EXISTING VIEW 1
LOOKING SOUTH,
FROM NORTH



PROPOSED VIEW 1
LOOKING SOUTH,
FROM NORTH

EXISTING SIGN POST TO BE REMOVED AND REPLACED WITH 26'11" SIGNAGE POLE WITH VERIZON LESSEE ANTENNAS INSIDE; REPLACEMENT TO BE ROTATED 180 DEGREES FACING ROAD. PAINT AND FINISH TO MATCH EXISTING SIGN POST ON NORTHEAST CORNER OF MAIN AND SCOTTSDALE RD. 4' PEDESTAL METER AND NATURAL LANDSCAPE SCREENING ADDED.



EXISTING VIEW 2
LOOKING WEST,
FROM EAST



PROPOSED VIEW 2
LOOKING WEST,
FROM EAST

EXISTING SIGN POST TO BE REMOVED AND REPLACED WITH 26'11" SIGNAGE POLE WITH VERIZON LESSEE ANTENNAS INSIDE; REPLACEMENT TO BE ROTATED 180 DEGREES FACING ROAD. PAINT AND FINISH TO MATCH EXISTING SIGN POST ON NORTHEAST CORNER OF MAIN AND SCOTTSDALE RD. 4' PEDESTAL METER AND NATURAL LANDSCAPE SCREENING ADDED.



verizon^v

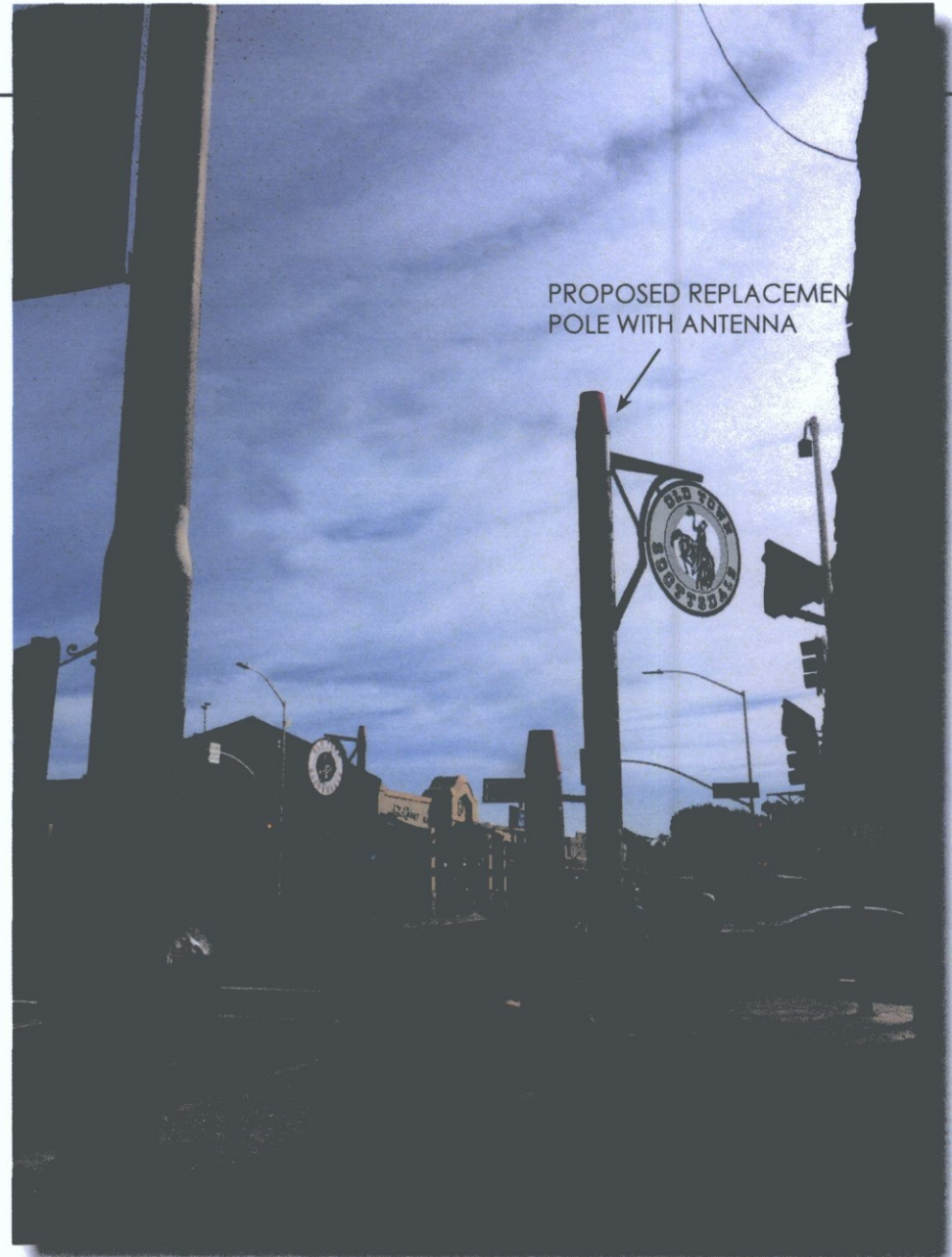
EXISTING VIEW 3
FROM WEST,
LOOKING EAST





PROPOSED VIEW 3
FROM WEST,
LOOKING EAST

EXISTING SIGN POST TO BE
REMOVED AND REPLACED
WITH 26'11" SIGNAGE
POLE WITH VERIZON
LESSEE ANTENNAS INSIDE;
REPLACEMENT TO BE ROTATED
180 DEGREES FACING
ROAD. PAINT AND FINISH TO
MATCH EXISTING SIGN POST
ON NORTHEAST CORNER
OF MAIN AND SCOTTSDALE
RD. 4' PEDESTAL METER
AND NATURAL LANDSCAPE
SCREENING ADDED.



verizon

SITE NAME: PHO_ZUZU-VALLEYHO_2_SC
(SMALL CELL)

ATTACHMENT #5



SITE PHOTO

SHEET INDEX

- T-1 PROJECT INFORMATION AND DATA
- LS-1 SURVEY
- A-1 SITE PLAN
- A-2 ENLARGED SITE PLAN
- A-3 EXISTING NORTH ELEVATION
- A-4 NEW NORTH ELEVATION
- A-5 EXISTING EAST ELEVATION
- A-6 NEW EAST ELEVATION

CLIENT

VERIZON WIRELESS
126 W. GEMINI DR.
TEMPE, ARIZONA, 85283
CONTACT: DIEGO TORRES
PHONE: (602) 819-2949

PROPERTY OWNER

7017 MAIN STREET, L.L.C.
4414 N. CIVIC CENTER PLAZA #100
SCOTTSDALE, AZ 85251
CONTACT: TBD
PHONE: TBD

SITE ACQUISITION

SMARTLINK, L.L.C.
605 W. KNOX ROAD, STE 210
TEMPE, AZ, 85284
CONTACT: MARCK SAWYER
PHONE: (480) 550-2088

ARCHITECT

YOUNG DESIGN CORP
10245 E. VIA LINDA, SUITE 211
SCOTTSDALE, ARIZONA, 85258
CONTACT: BRIAN CLUNNINGHAM
PHONE: (480) 451-9609
FAX: (480) 451-9608

SURVEYOR

R/L CONSULTING
1214 N. STADEN DR.
TEMPE, AZ, 85281
CONTACT: RYAN FIDLER
PHONE: (480) 445-9189

PROJECT DATA

LEASEE: VERIZON WIRELESS
126 W. GEMINI DR.
TEMPE, ARIZONA, 85283

ZONING: R.O.W.

APN: R.O.W.
ARLA VOLUME: 47.0 CU. FT.
JURISDICTION: CITY OF SCOTTSDALE

BUILDING CODES: 2012 I.B.C.
2011 I.E.C.
2012 I.M.C.
2012 I.F.C.

PROJECT DESCRIPTION

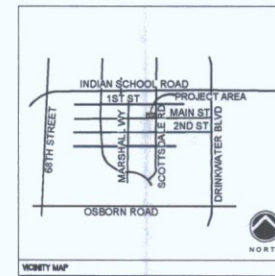
THE PROJECT CONSISTS OF THE INSTALLATION OF (2) ANTENNAS MOUNTED INSIDE A NEW ROTATED REPLACEMENT SIGN POST. FACILITY IS UNMANNED AND IS NOT DESIGNED FOR HUMAN HABITATION.

SITE COORDINATES

LATITUDE: 33° 29' 35.636" N
LONGITUDE: 111° 59' 34.582" W
GROUND ELEVATION: 1257.9 A.M.S.L.

SITE DIRECTIONS

FROM VERIZON OFFICE IN TEMPE, ARIZONA: DEPART W. GEMINI DR. TOWARD S. MAPLE AVE. TURN RIGHT ONTO S. MAPLE AVE. TURN LEFT ONTO W. GUADALUPE RD. ROAD NAME CHANGES TO E. GUADALUPE RD. TURN LEFT ONTO S. RURAL RD. TAKE RAMP RIGHT FOR US-60 EAST TOWARD MESA GLOBE. AT EXIT 178B, TAKE RAMP RIGHT AND FOLLOW SIGNS FOR AZ-101 LOOP NORTH. AT EXIT 88, TAKE RAMP RIGHT AND FOLLOW SIGNS FOR THOMAS RD. TURN LEFT ONTO E. THOMAS RD. TURN RIGHT ONTO N. SCOTTSDALE RD. TURN LEFT ONTO E. MAIN ST. ARRIVE AT E. MAIN ST ON THE LEFT. THE VERIZON ANTENNAS ARE ON THE TRAFFIC SIGNAL POLE LOCATED ON THE SW CORNER OF E. MAIN ST. & N. SCOTTSDALE RD.



CLIENT
verizon
126 W. GEMINI DR.
TEMPE, AZ 85283

INTERNAL REVIEW	DATE
CONSTRUCTION SIGNATURE	
RF SIGNATURE	
FACILITIES SIGNATURE	
REAL ESTATE SIGNATURE	

PLANS PREPARED BY
young design corp
architecture / project management
10245 E. Via Linda, Scottsdale, AZ 85258
ph: 480 451 9609 fax: 480 451 9608
e mail: corporate@ydcoffice.com

SEAL
This drawing is copyrighted and the property of Young Design Corporation (YDC) & produced solely by YDC and affiliates. reproduction or use of this drawing and/or the information contained hereon is forbidden without written permission by Young Design Corporation.



THIS DOCUMENT CONTAINS AN ELECTRONIC SIGNATURE PURSUANT TO A.S. TITLE 41 AND TITLE 44. IT IS A REPRODUCED COPY AND SHOULD BE USED UNDER THE DIRECT SUPERVISION OF THE SIGNATURE TO VERIFY THIS DOCUMENT IS NOT FORGOTTEN.

PRELIMINARY UNLESS NOTED

NO.	DATE	DESCRIPTION
0	9/27/2016	SUBMITTAL

ARCHITECTS JOB NO.
YDC-6199

PROJECT INFORMATION
PHO_ZUZU-VALLEYHO_2_SC
SCOTTSDALE RD & MAIN ST
SCOTTSDALE, AZ 85251

SHEET TITLE
TITLE SHEET

JURISDICTION APPROVAL

SHEET NUMBER
T-1

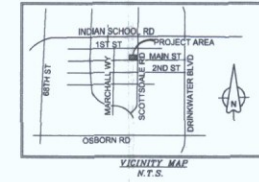
SURVEYOR NOTES

1. A TITLE REPORT WAS NOT PROVIDED AT THE TIME OF THE SURVEY.
2. SURVEYOR HAS NOT PERFORMED A SEARCH OF PUBLIC RECORDS TO DETERMINE ANY DEFECT IN TITLE.
3. THE BOUNDARY SHOWN HEREIN IS PLOTTED FROM RECORD INFORMATION AND DOES NOT CONSTITUTE A BOUNDARY SURVEY OF THE PROPERTY.
4. SURVEYOR DOES NOT GUARANTEE THAT ALL UTILITIES ARE SHOWN OR THEIR LOCATIONS. IT IS THE RESPONSIBILITY OF THE CONTRACTOR AND DEVELOPER TO CONTACT BLUE STAKE AND ANY OTHER INVOLVED AGENCIES TO LOCATE ALL UTILITIES PRIOR TO CONSTRUCTION. REMOVAL, RELOCATION AND/OR REPLACEMENT IS THE RESPONSIBILITY OF THE CONTRACTOR.

PROJECT META DATA

1. ELEVATIONS SHOWN HEREON ARE REPRESENTED IN NORTH AMERICAN VERTICAL DATUM OF 1988 (NAVD8) ESTABLISHED FROM GPS SERVED ELLIPSOID HEIGHTS. APPLYING GEOD. TRANSFORMATIONS CONSTRAINING TO NGS CORS STATIONS PROVIDED IN THE "ONLINE POSITIONING USER SERVICE" (OPUS) SOLUTION FOR THIS SPECIFIC SITE.
2. BEARINGS SHOWN HEREON ARE BASED UPON U.S. STATE PLANE NAD83 COORDINATE SYSTEM ARIZONA STATE PLANE COORDINATE ZONE CENTRAL, DETERMINED BY GPS OBSERVATIONS.
3. FIELD WORK FOR THIS PROJECT WAS PERFORMED ON 03/03/16.

LESSOR'S LEGAL DESCRIPTION
CITY OF SCOTTSDALE RIGHT-OF-WAY



LEGEND

- ⊠ BRASS CAP IN HANDHOLE
- NG NATURAL GRADE
- TBC TOP BACK OF CURB
- R/W RIGHT OF WAY
- PV ASPHALT
- SW SIDEWALK
- CMU CONCRETE MASONRY UNIT
- CS CONCRETE
- ℳ±±± SPOT ELEVATION
- FS FINISHED SURFACE
- GV GAS VALVE
- ⊠ ELECTRICAL MANHOLE
- ⊠ ELECTRICAL PULL BOX
- ⊠ SANITARY SEWER MANHOLE
- ⊠ TRAFFIC SIGNAL WITH MAST
- ⊠ MISC. MANHOLE
- ⊠ PARKING METER
- ⊠ STREET LIGHT W/ MAST ARM
- ⊠ CABLE TV MANHOLE
- ⊠ FIBER MANHOLE
- ⊠ CACTUS
- ⊠ FIRE HYDRANT
- ⊠ WATER VALVE
- ⊠ STORM MANHOLE
- ⊠ CATCH BASIN
- ⊠ DECIDUOUS TREE
- ⊠ SIGN
- ⊠ BREAKLINE
- ⊠ SCHEDULE B HEX
- ⊠ POSITION OF GEODETIC COORDINATES
- ⊠ TRASH CAN
- ⊠ PLANTER
- ⊠ STATUE
- ⊠ SIGN POST
- ⊠ RIGHT-OF-WAY
- ⊠ CENTERLINE
- ⊠ UG ELECTRIC LINE
- ⊠ WATER LINE

T.O. SIGN = 1281.9' (AMSL); 24.2' (AGL)

B.O. SIGN = 1274.1' (AMSL); 16.2' (AGL)

T.O. POLE = 1284.5' (AMSL); 26.5' (AGL)

BRACKET = 1282.7' (AMSL); 24.7' (AGL)

BRACKET = 1281.5' (AMSL); 23.5' (AGL)

BRACKET = 1274.9' (AMSL); 16.7' (AGL)

T.O. POLE = 1289.4' (AMSL); 11.4' (AGL)

T.O. BRACKET = 1287.4' (AMSL); 9.4' (AGL)

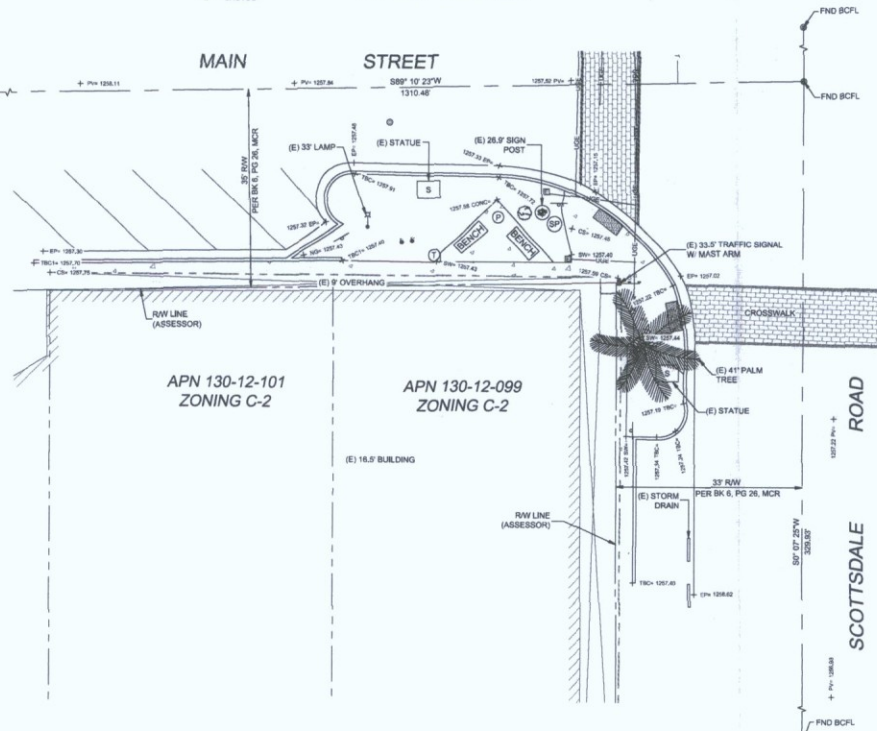
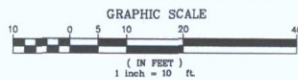
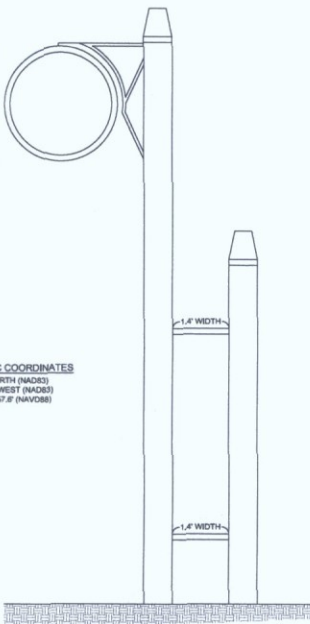
B.O. BRACKET = 1286.4' (AMSL); 8.4' (AGL)

T.O. BRACKET = 1280.7' (AMSL); 3.1' (AGL)

B.O. BRACKET = 1289.7' (AMSL); 2.1' (AGL)

GRADE = 1257.8' (AMSL); 0.0' (AGL)

POSITION OF GEODETIC COORDINATES
LATITUDE 33° 29' 35.000" NORTH (NAD83)
LONGITUDE 111° 59' 34.560" WEST (NAD83)
ELEVATION @ GROUND= 1257.8' (NAVD88)



verizon
126 W. GEMINI DR.
TEMPE, AZ 85283

young design corp

architecture / project management
10245 E. Via Linda, Scottsdale, AZ 85258
ph: 480 451 9609 fax: 480 451 9608
e mail: corp@ydcoffice.com

FIELD BY:	JMM
DRAWN BY:	JTJ
CHECKED BY:	RLF

REVISIONS		
NO.	DATE	DESCRIPTION
1	03/14/16	PRELIMINARY

RLF CONSULTING
LAND SURVEY • MAPPING SOLUTIONS
1044 N. STADEN DR. • TEMPE, AZ 85283
WWW.RLFCONSULTING.COM • 480-483-9888



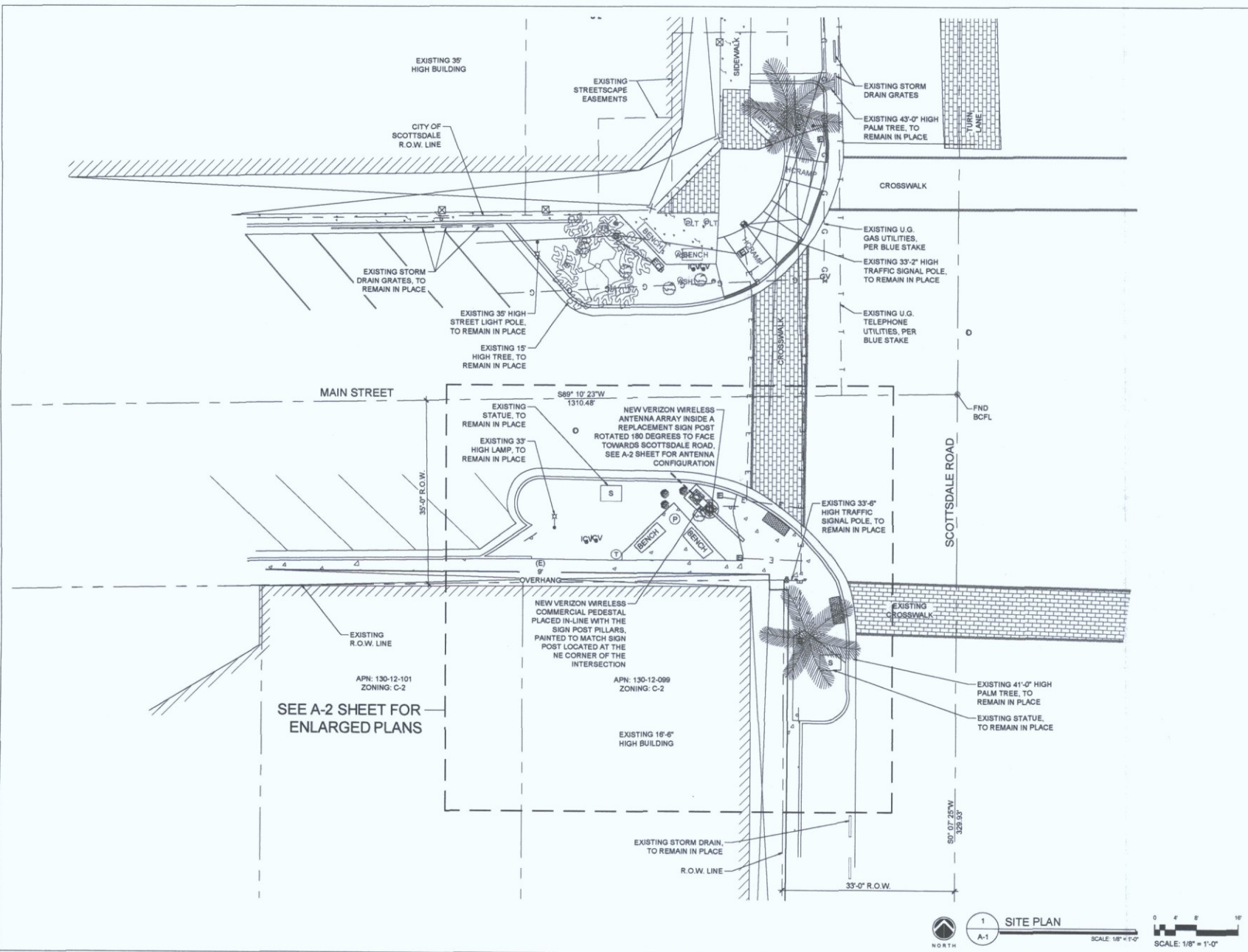
REUSE OF DOCUMENT
THE IDEAS & DESIGN INCORPORATED HEREON, AS AN INSTRUMENT OF PROFESSIONAL SERVICE, IS THE PROPERTY OF RLF CONSULTING, LLC & IS NOT TO BE USED FOR ANY OTHER PROJECT WITHOUT WRITTEN AUTHORIZATION OF RLF CONSULTING, LLC.

PROJECT No.
09006767
SITE NAME:
PHO_ZUZU-VALLEYHO_2_SC

SITE ADDRESS:
SCOTTSDALE RD & MAIN ST
SCOTTSDALE, AZ 85251

SHEET TITLE:
SURVEY DETAIL

SHEET NO.
LS-1



CLIENT

verizon
126 W. GEMINI DR.
TEMPE, AZ 85283

INTERNAL REVIEW _____ DATE _____

CONSTRUCTION SIGNATURE _____

RF SIGNATURE _____

FACILITIES SIGNATURE _____

REAL ESTATE SIGNATURE _____

PLANS PREPARED BY

young design corp
architecture / project management
10245 E. Via Linda, Scottsdale, AZ 85258
ph: 480 451 9809 fax: 480 451 9808
e mail: corporate@ydcoffice.com

SEAL
This drawing is copyright and the property of Young Design Corporation (YDC) & produced solely by YDC and affiliates. reproduction or use of this drawing and/or the information contained hereon is forbidden without written permission by Young Design Corporation.



THIS DOCUMENT CONTAINS AN ELECTRONIC SIGNATURE PURSUANT TO A.S.I.S. 31612 AND TITLE 18, IF A RELATION FOR ANY REASON, UNLESS UNDER THE DIRECT SUPERVISION OF THE REGISTRANT, TO VERIFY THIS DOCUMENT IN ANY WAY.

PROFESSIONAL UNLESS NOTED

NO.	DATE	DESCRIPTION
0	9/27/2018	SUBMITTAL

ARCHITECTS JOB NO.
YDC-6199

PROJECT INFORMATION

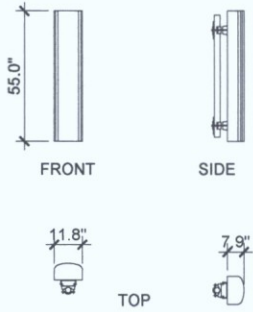
PHO_ZUZU-VALLEYHQ_2_SC
SCOTTSDALE RD & MAIN ST
SCOTTSDALE, AZ 85251

SHEET TITLE
OVERALL SITE PLAN

JURISDICTION APPROVAL _____

SHEET NUMBER
A-1





ANTENNA DETAIL

4

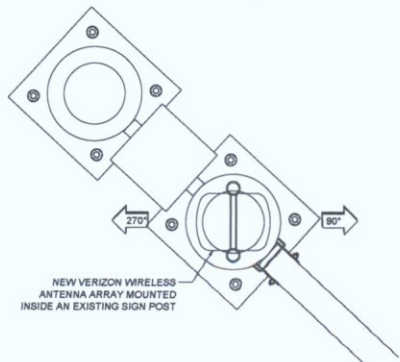
COAXIAL CABLE TABLE					
SECTOR	AZIMUTH	LENGTH	QTY.	SIZE	TYPE
ALPHA	90°	± 22'-0"	4	1/2"	T.B.D.
BETA	270°	± 22'-0"	4	1/2"	T.B.D.

NOTE:
ALL AZIMUTHS SHOWN ARE RELATIVE TO TRUE NORTH,
UNLESS NOTED OTHERWISE

*IT SHALL BE THE CONTRACTORS RESPONSIBILITY TO VERIFY
AZIMUTHS DEPICTED HEREIN WITH RF DEPARTMENT PRIOR
TO INSTALLING ANTENNAS.

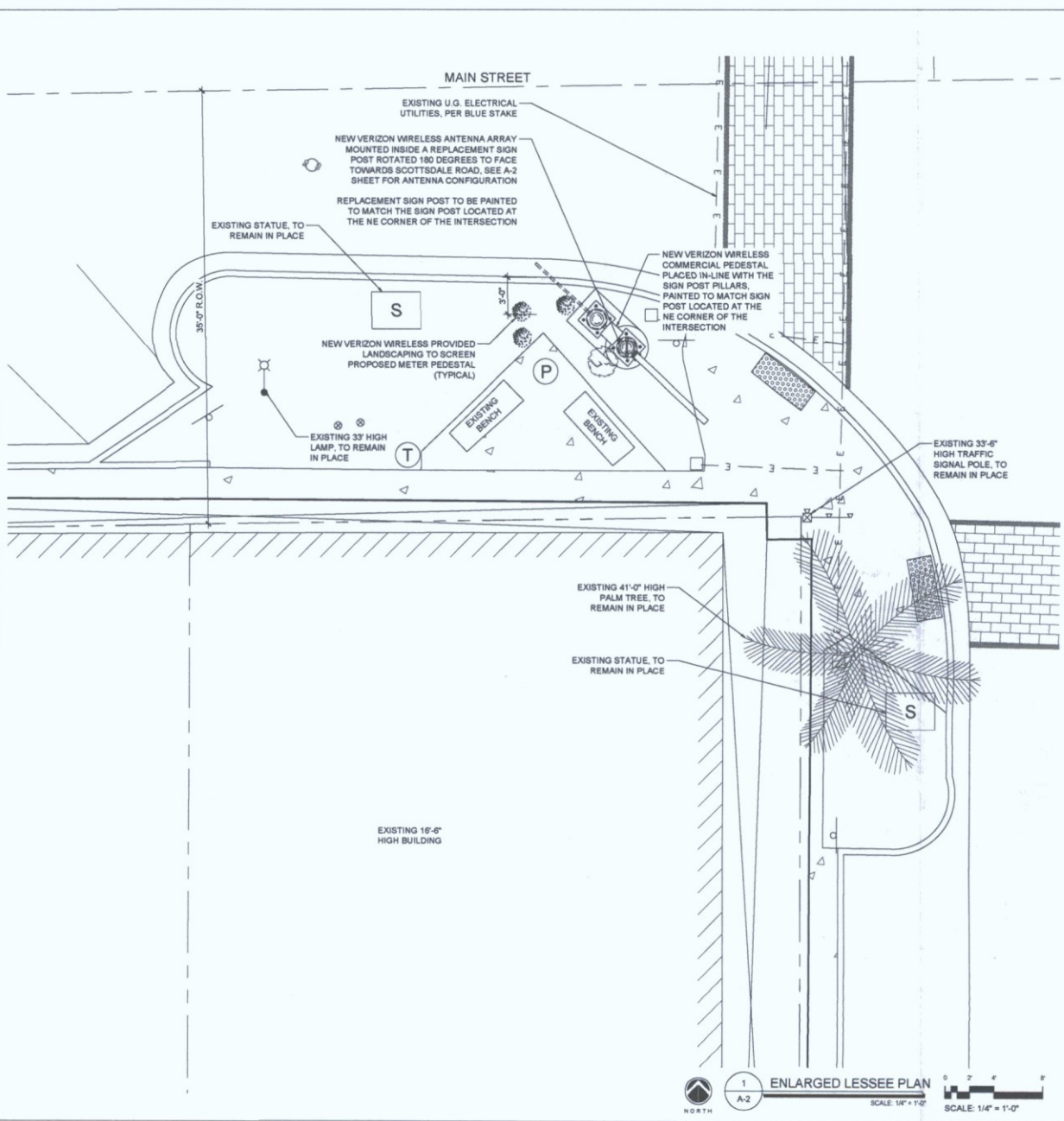
COAX CABLE INFORMATION

3



ANTENNA CONFIGURATION

2



1
A-2

ENLARGED LESSEE PLAN

SCALE: 1/4" = 1'-0"

SCALE: 1/4" = 1'-0"

CLIENT

verizon

126 W. GEMINI DR.
TEMPE, AZ 85283

INTERNAL REVIEW _____ DATE _____

CONSTRUCTION SIGNATURE _____

RF SIGNATURE _____

FACILITIES SIGNATURE _____

REAL ESTATE SIGNATURE _____

PLANS PREPARED BY

Young design corp

architecture / project management
10245 E. Via Linda, Scottsdale, AZ 85258
ph: 480 451 9509 fax: 480 451 9508
e-mail: corporate@ydcoffice.com

SEAL

This drawing is copyrighted and the property of Young Design Corporation (YDC) & produced solely by YDC and affiliates. reproduction or use of this drawing and/or the information contained herein is forbidden without written permission by Young Design Corporation.

1382
HAROLD C. YOUNG
STATE OF ARIZONA
EXP. 12/31/16

NO.	DATE	DESCRIPTION
0	9/27/2016	SUBMITTAL

ARCHITECTS JOB NO.
YDC-6199

PROJECT INFORMATION

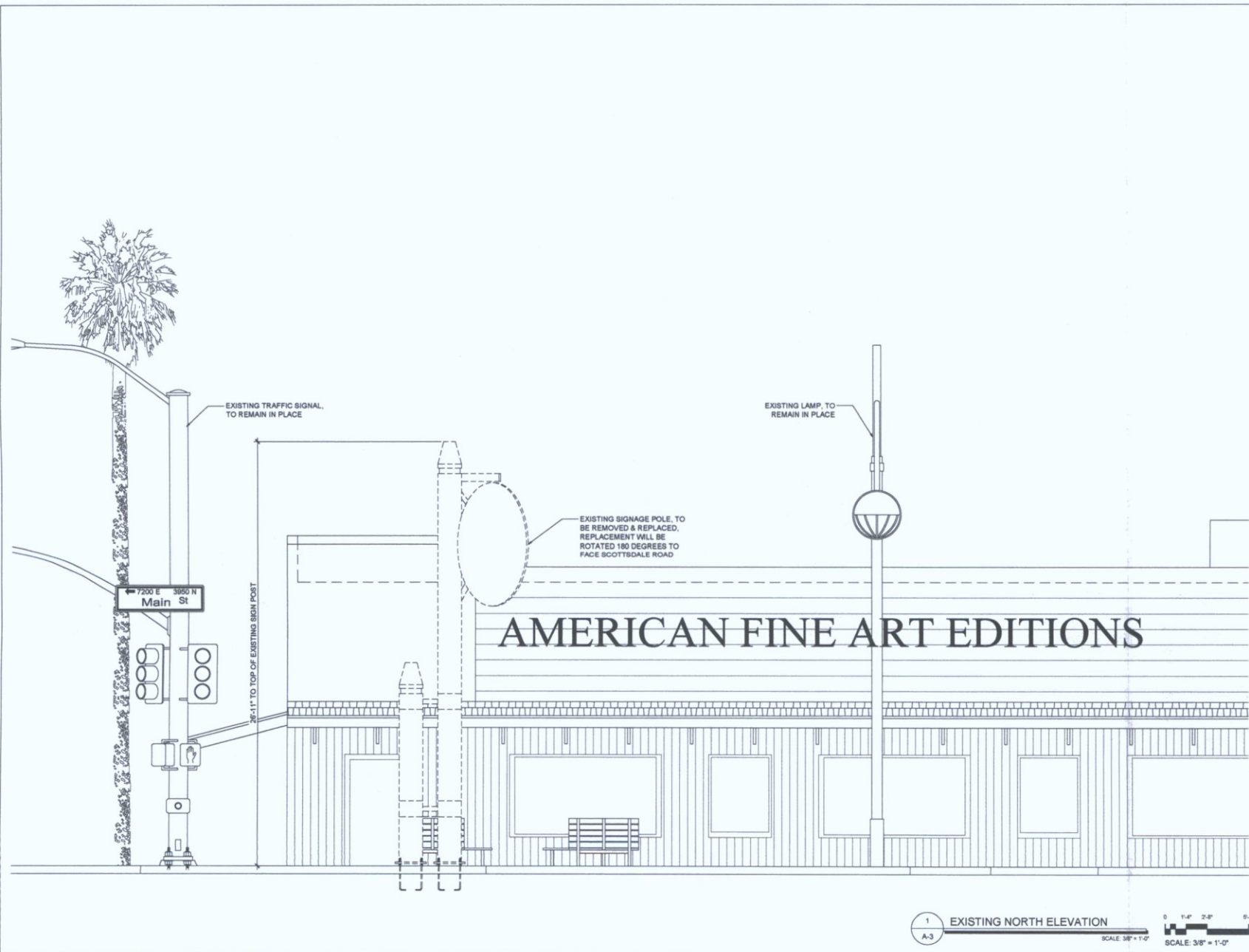
PHO_ZUZU-VALLEYHO_2_SC

SCOTTSDALE RD & MAIN ST
SCOTTSDALE, AZ 85251

SHEET TITLE
**ENLARGED SITE PLAN
SITE DETAILS**

JURISDICTION APPROVAL

SHEET NUMBER
A-2



1 EXISTING NORTH ELEVATION
 A-3 SCALE: 3/8" = 1'-0" 0 1'-0" 2'-0" 3'-0"

CLIENT

verizon
 126 W. GEMINI DR.
 TEMPE, AZ 85283

INTERNAL REVIEW	DATE
CONSTRUCTION SIGNATURE	
RF SIGNATURE	
FACILITIES SIGNATURE	
REAL ESTATE SIGNATURE	

PLANS PREPARED BY

Young design corp
 architecture / project management
 10245 E. Via Linda, Scottsdale, AZ 85258
 ph: 480 451 9509 fax: 480 451 9608
 e mail: corporate@ydcoffice.com

SEAL
 This drawing is copyrighted and the property of Young Design Corporation (YDC) & produced solely by YDC and affiliates. reproduction or use of this drawing and/or the information contained herein is forbidden without written permission by Young Design Corporation.

EXP 12/31/18
 HAROLD C. YOUNG, P.E.
 LICENSE NO. 111
 STATE OF ARIZONA

THIS DOCUMENT CONTAINS AN ELECTRONIC SIGNATURE PURSUANT TO A.S.S. TITLE 41 AND TITLE 44, I.C.S. A QUALIFIED ELECTRONIC SIGNATURE UNDER THE DIRECT SUPERVISION OF THE REGISTRAR, TO VERIFY THIS DOCUMENT BY ANY MEANS.

NO.	DATE	DESCRIPTION
0	9/27/2018	SUBMITTAL

PRELIMINARY UNLESS NOTED

ARCHITECTS JOB NO.
YDC-6199

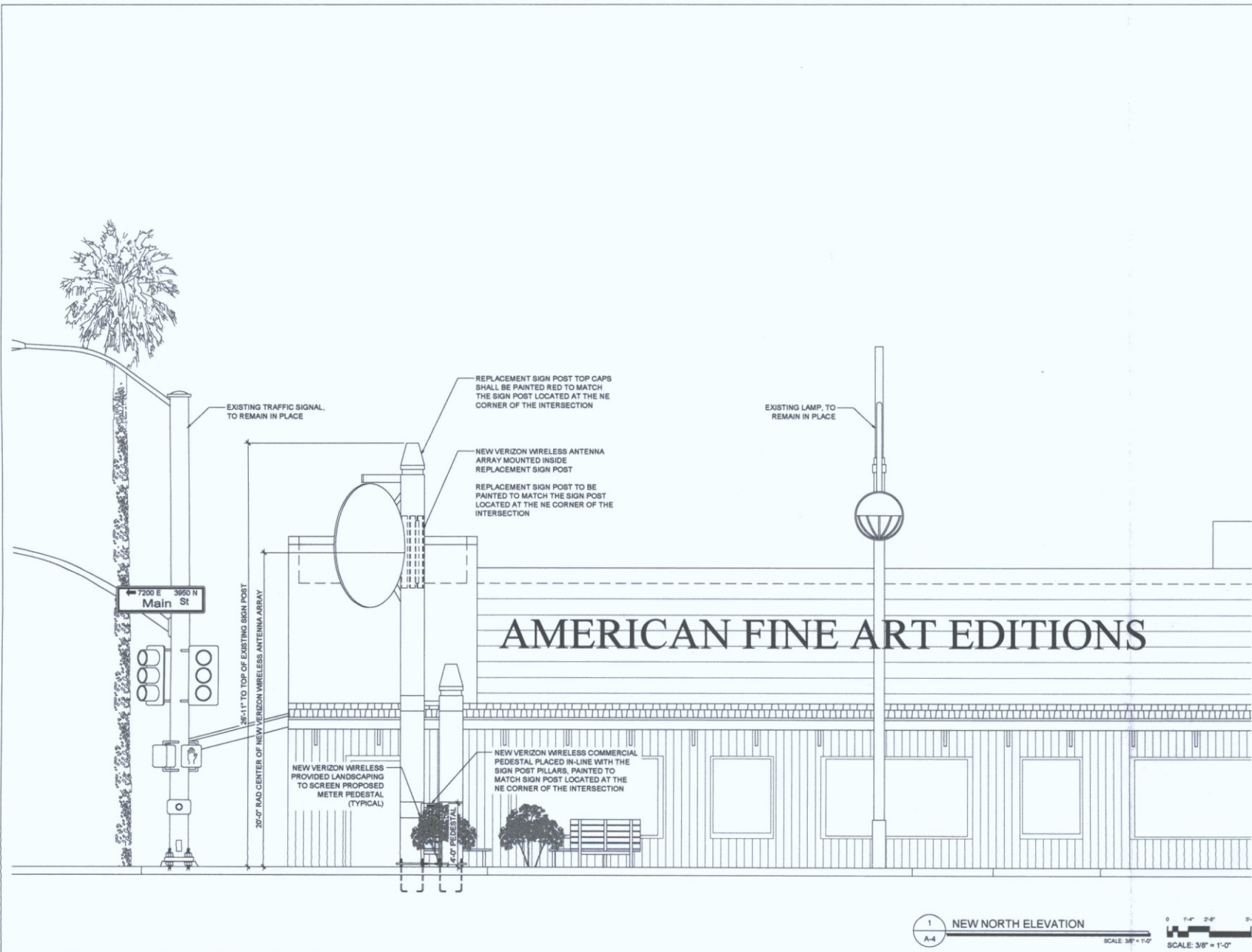
PROJECT INFORMATION

PHO_ZUZU-VALLEYHO_2_SC
 SCOTTSDALE RD & MAIN ST
 SCOTTSDALE, AZ 85251

SHEET TITLE
EXISTING ELEVATION

JURISDICTION APPROVAL

SHEET NUMBER
A-3



CLIENT

verizon
126 W. GEMINI DR.
TEMPE, AZ 85283

INTERNAL REVIEW	DATE
CONSTRUCTION SIGNATURE	
RF SIGNATURE	
FACILITIES SIGNATURE	
REAL ESTATE SIGNATURE	

PLANS PREPARED BY

Young design corp
architecture / project management
10245 E. Via Linda, Scottsdale, AZ 85228
ph: 480 451 9509 fax: 480 451 9508
e mail: corporate@ydcoffice.com

SEAL
this drawing is copyrighted and the property of Young Design Corporation (YDC) & produced solely by YDC and affiliates. reproduction or use of this drawing and/or the information contained herein is forbidden without written permission by Young Design Corporation.

19382
ARIZONA D.C.
YOUNG DESIGN CORPORATION
EXP 12/31/16

THE CONTRACTOR OBTAINS AN ELECTRONIC SIGNATURE PURSUANT TO A.S. TITLE 41 AND TITLE 44, IT IS A VALID AND LEGAL SIGNATURE UNDER FEDERAL LAW. THE DIRECT REPRODUCTION OF THIS SIGNATURE, IN WHOLE OR IN PART, IS PROHIBITED UNLESS SO INDICATED BY THE CONTRACTOR.

NO.	DATE	DESCRIPTION
0	9/27/2016	SUBMITTAL

ARCHITECTS JOB NO.
YDC-6199

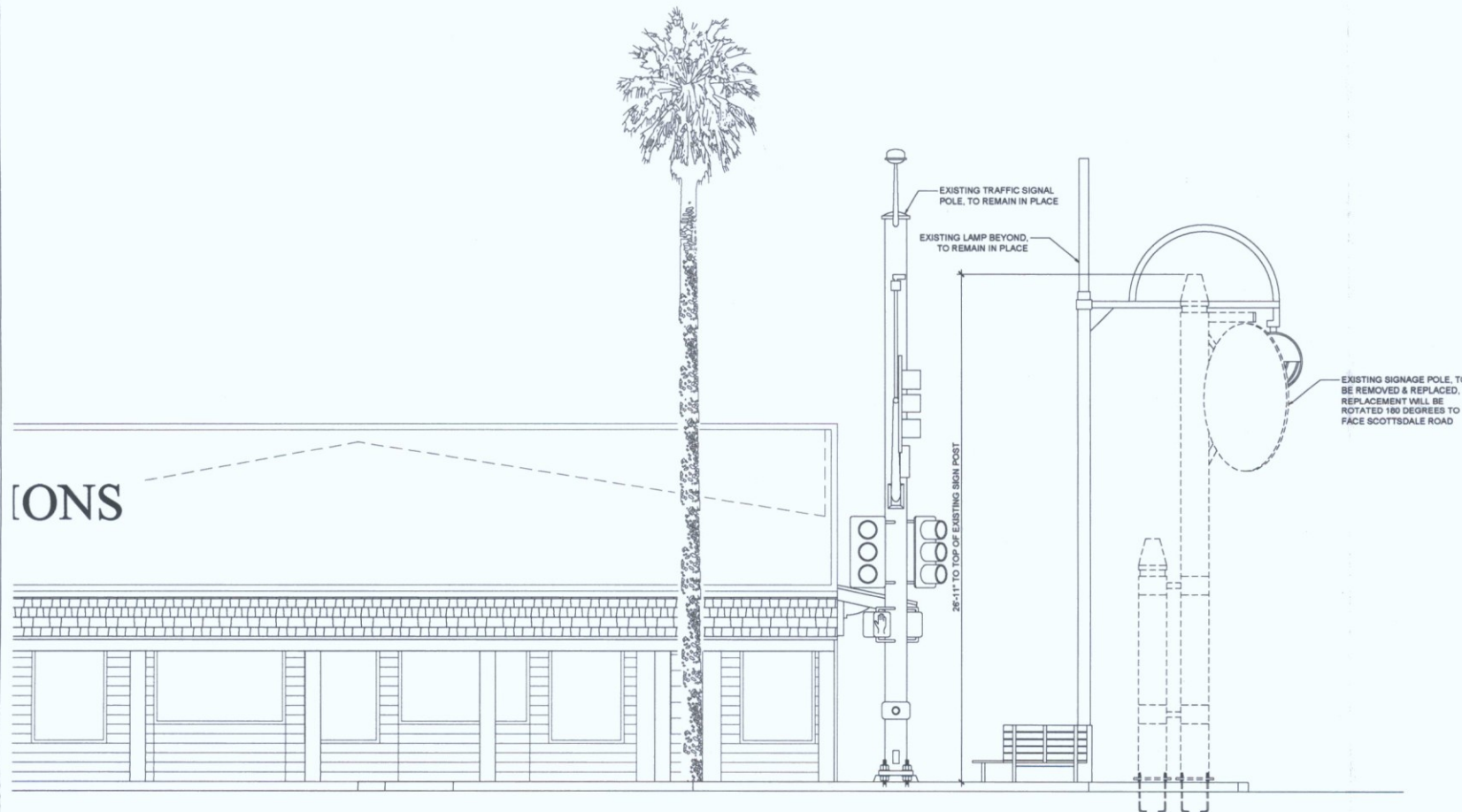
PROJECT INFORMATION

PHO_ZUZU-VALLEYHO_2_SC
SCOTTSDALE RD & MAIN ST
SCOTTSDALE, AZ 85251

SHEET TITLE
NEW ELEVATION

JURISDICTION APPROVAL

SHEET NUMBER
A-4



[ONS

1
A-5

SCALE 3/8" = 1'-0"

0 1'-0" 2'-0" 3'-0"

CLIENT

verizon
126 W. GEMINI DR.
TEMPE, AZ 85283

INTERNAL REVIEW	DATE
CONSTRUCTION SIGNATURE	
RF SIGNATURE	
FACILITIES SIGNATURE	
REAL ESTATE SIGNATURE	

PLANS PREPARED BY

Young design corp
architecture / project management
10245 E. Via Linda, Scottsdale, AZ 85258
ph: 480 451 9609 fax: 480 451 9608
e mail: corporate@ydcoffice.com

SEAL
This drawing is copyrighted and the property of Young Design Corporation (YDC) & produced solely by YDC and affiliates. reproduction or use of this drawing and/or the information contained herein is forbidden without written permission by Young Design Corporation.

19382
YOUNG, D.C.
YOUNG, D.C.
STATE OF ARIZONA
EXP. 12/31/18

THIS DOCUMENT CONTAINS AN ELECTRONIC SIGNATURE PURSUANT TO A.S.I. 3122 BY AND TO THE EXTENT PERMITTED BY LAW AND APPLICABLE UNDER LAWS, THE DIRECT SUPERVISION OF THE REGISTRAR, TO SIGNIFY THIS DOCUMENT IN ANY WAY.

NO.	DATE	DESCRIPTION
0	9/27/2018	SUBMITTAL

PRELIMINARY UNLESS NOTED

ARCHITECTS JOB NO.
YDC-6199

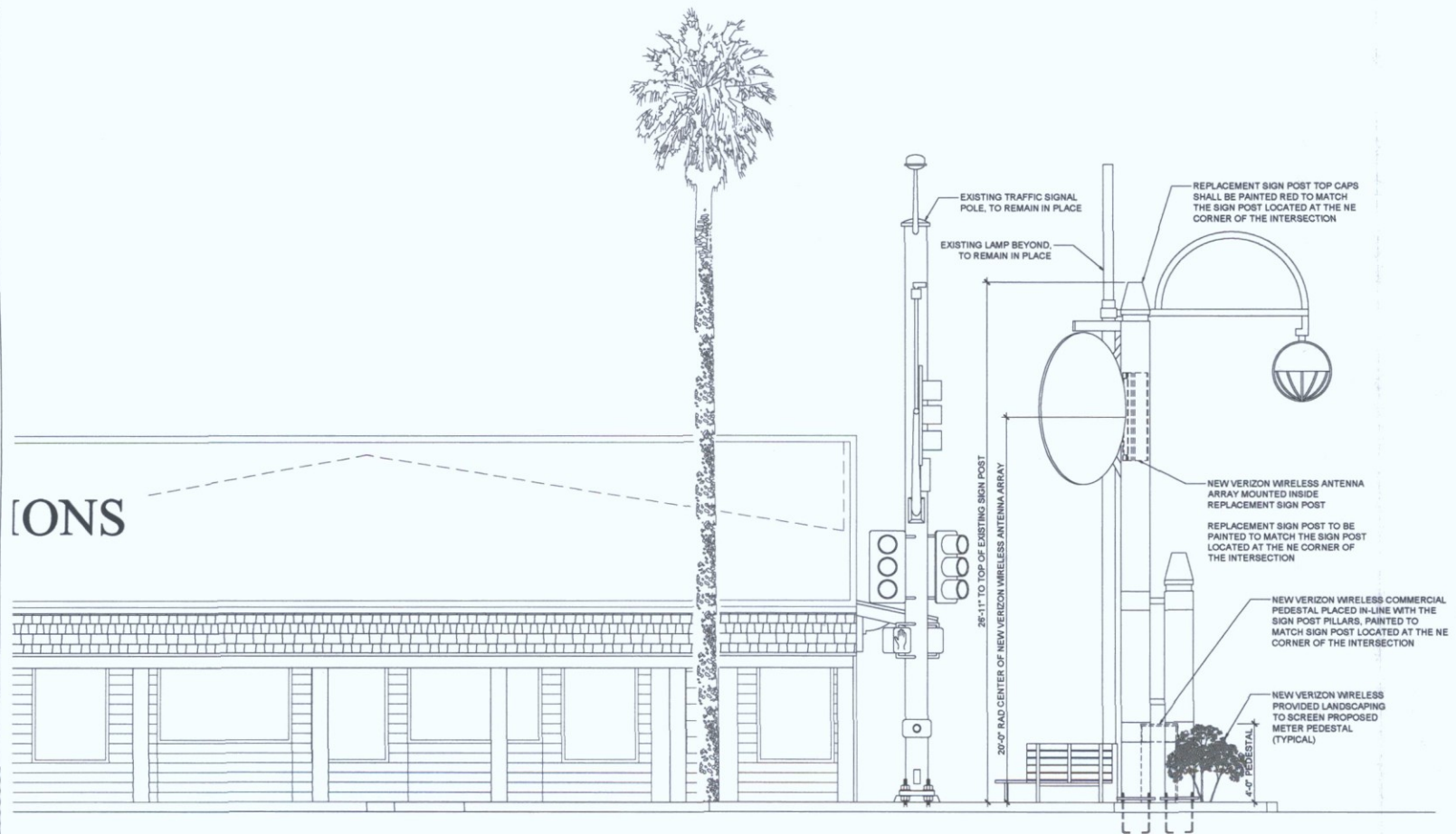
PROJECT INFORMATION

PHO_ZUZU-VALLEYHO_2_SC
SCOTTSDALE RD & MAIN ST
SCOTTSDALE, AZ 85251

SHEET TITLE
EXISTING ELEVATION

JURISDICTION APPROVAL

SHEET NUMBER
A-5



[ONS

EXISTING TRAFFIC SIGNAL POLE, TO REMAIN IN PLACE

EXISTING LAMP BEYOND, TO REMAIN IN PLACE

REPLACEMENT SIGN POST TOP CAPS SHALL BE PAINTED RED TO MATCH THE SIGN POST LOCATED AT THE NE CORNER OF THE INTERSECTION

NEW VERIZON WIRELESS ANTENNA ARRAY MOUNTED INSIDE REPLACEMENT SIGN POST

REPLACEMENT SIGN POST TO BE PAINTED TO MATCH THE SIGN POST LOCATED AT THE NE CORNER OF THE INTERSECTION

NEW VERIZON WIRELESS COMMERCIAL PEDESTAL PLACED IN-LINE WITH THE SIGN POST PILLARS, PAINTED TO MATCH SIGN POST LOCATED AT THE NE CORNER OF THE INTERSECTION

NEW VERIZON WIRELESS PROVIDED LANDSCAPING TO SCREEN PROPOSED METER PEDESTAL (TYPICAL)

26'-11" TO TOP OF EXISTING SIGN POST

20'-0" RAD CENTER OF NEW VERIZON WIRELESS ANTENNA ARRAY

4'-0" PEDESTAL

1 NEW EAST ELEVATION
A-6
SCALE: 3/8" = 1'-0"
0 1'-0" 2'-0" 3'-0"
SCALE: 3/8" = 1'-0"

CLIENT
verizon
126 W. GEMINI DR.
TEMPE, AZ 85283

INTERNAL REVIEW	DATE
CONSTRUCTION SIGNATURE	
RF SIGNATURE	
FACILITIES SIGNATURE	
REAL ESTATE SIGNATURE	

PLANS PREPARED BY
Young design corp
architecture / project management
10245 E. Via Linda, Scottsdale, AZ 85228
ph: 480 451 9609 fax: 480 451 9608
e-mail: corporate@ydcoffice.com

SEAL
This drawing is copyrighted and the property of Young Design Corporation (YDC) & produced solely by YDC and affiliates. reproduction or use of this drawing and/or the information contained hereon is forbidden without written permission by Young Design Corporation.

13382 HAROLD C. YOUNG, P.E.
MECHANICAL
STATE OF ARIZONA
EXP. 12/31/16

THE ENGINEER CERTIFIED IN ELECTRONIC SIGNATURE PURSUANT TO A.R.S. TITLE 41 AND TITLE 18, CHAPTER 12, AS A REGISTERED PROFESSIONAL ENGINEER UNDER THE DIRECT SUPERVISION OF THE REGISTERED PROFESSIONAL ENGINEER IN CHARGE OF THE PROJECT, TO SIGN THIS DOCUMENT IN HIS NAME.

PRELIMINARY UNLESS NOTED

NO.	DATE	DESCRIPTION
0	9/27/2016	SUBMITTAL

ARCHITECTS JOB NO.
YDC-6199

PROJECT INFORMATION
PHO_ZUZU-VALLEYHO_2_SC
SCOTTSDALE RD & MAIN ST
SCOTTSDALE, AZ 85251

SHEET TITLE
NEW ELEVATION

JURISDICTION APPROVAL

SHEET NUMBER
A-6

PROJECT INFORMATION

Date: November 28, 2016
 ISE Job No. 10704 By: AG
 Customer: Larson Camouflage
 Product: 27'-2" Mono Pole With FRP sign
 Site ID: VZW PHO ZUZU-VALLEYHO_2_SC

Location: Scottsdale Rd & Main St
 Scottsdale, AZ 85251

DESIGN CRITERIA:

2012 IBC, 115 MPH Ultimate Wind Speed, Reducible per 1800.1.1
 EIA/TIA-222-G (2009) 60 MPH Design Wind Speed (3-Sec Gust)
 EXP C, Topo Class I, Tower Class II

POLE SPECIFICATIONS

Pole Section	Length (ft.)	Weight (kips)	Thrs (in.)	Lap Splice (in.)	Top (in.)	Bottom (in.)
Stub	1.584	0.075	0.250	-	18,000	18,000
Pole 1	18.000	0.807	0.250	-	18,000	18,000
Pole 2	10.000	0.507	0.250	-	18,000	18,000
Base Plate		0.229	1.250	24" SQUARE	W/ 18,125" ID	

EARTHQUAKE DESIGN DATA

Importance Factor (I): 1
 Occupancy Category: I

S_v = 0.184 S_w = 0.198
 S₁ = 0.080 S₂ = 0.088

SEISMIC DESIGN CATEGORY: B

SITE CLASS: D

SEISMIC RESPONSE COEFFICIENT: 0.151

DESIGN BASE SHEAR: KIPS

RESPONSE MODIFICATION FACTOR (R): 1.50

ANALYSIS PROCEDURE USED: EQUIVALENT LATERAL FORCE PROCEDURE

DESIGN LOADS (Unfactored Base Wind Reactions)

Moment = 41,950 Ft-Kips
 Shear = 2,234 Kips
 Axial = 1,915 Kips

DEFLECTIONS

60 MPH Wind 90 MPH Wind

Elev. (ft.) Lateral (in.) Sway (") Lateral (in.) Sway (")

Top 772 478 3,130 1,925

APPURTENANCES

Elevation (ft.) Qty Description

22'-0" (1) FRP Sign & Stand-off Mount

23'-0" (2) Antenna 11.87x3.9x5.5

17'-7" to 23'-5" (1) 18" Canister



**PHO_ZUZU-VALLEYHO_2_SC
 (SMALL CELL)**

SCOTTSDALE RD & MAIN ST., Scottsdale, AZ 85251

SHEET INDEX	
PF1.0	PRODUCT INFORMATION & NOTES
PF1.1	PRODUCT INFORMATION & NOTES
PF2.0	POLE DETAIL & FOUNDATION DETAILS
PF3.0	DETAILS
PF4.0	POLE DETAILS
PF4.1	POLE EQUIPMENT BASE DETAILS
PF4.2	POLE EQUIPMENT BASE DETAILS
PF4.3	POLE EQUIPMENT BASE DETAILS
PF5.0	POLE DETAILS AND ANCHOR BOLT TEMPLATE
PF6.0	CANISTER DETAILS
PF7.0	FRP DETAILS
PF8.0	FRP SIGN DETAILS & METAL TOPPER

verizon

LARSON CAMOUFLAGE
 1501 South Durand Avenue
 Tucson, AZ 85713
 (520) 294-3900
 www.larsoncamo.com

LARSON JOB #: S18091

ISE Incorporated
 Structural Engineers
 P.O. BOX 20999
 Phoenix, Arizona 85076
 Phone: 602-954-1100
 Fax: 602-954-1102

ISE JOB # 10704

GENERAL NOTES

- ALL STEEL SHALL MEET THE REQUIREMENTS OF THE STANDARD SPECIFICATIONS FOR STRUCTURAL STEEL, 18TH EDITION, UNLESS OTHERWISE NOTED ON THE STRUCTURAL PLANS OR BELOW.
- ALL ROUND STEEL PIPE SHALL MEET THE REQUIREMENTS OF ASTM A513 TYPE E OR S GRADE 80 (80 KSI) YIELD POINT MATERIAL OR ASTM A501 (80 KSI YIELD POINT MATERIAL).
- ALL TUBE STEEL, SQUARE OR RECTANGULAR, SHALL MEET THE REQUIREMENTS OF ASTM A500 GRADE B (60 KSI YIELD POINT MATERIAL).
- ALL POLYMER FORMED STEEL SHAPES SHALL MEET THE REQUIREMENTS OF ASTM A572 GRADE 50 (60 KSI YIELD POINT MATERIAL).
- ALL WELDED CONNECTIONS SHALL CONFORM TO THE LATEST VERSION OF THE AMERICAN WELDING SOCIETY AWS D1.1 CODE. ALL WELD ELECTRODES OR WIRE SHALL AT A MINIMUM CONFORM TO E70 ELECTRODES (70 KSI YIELD).
- ALL STEEL SHAPES AND PLATES SHALL BE HOT-DIPPED GALVANIZED ACCORDING TO ASTM A123. ALL STEEL NUTS AND BOLTS AND ASSOCIATED HARDWARE SHALL BE HOT-DIPPED ACCORDING TO ASTM A153.
- WIND TESTING OF THE TREE BRANCHES HAS BEEN COMPLETED BY THE SUPPLIER OF THE BRANCHES, LARSON CAMOUFLAGE. LARSON CAMOUFLAGE HAS VERIFIED THE STRENGTH OF THE BRANCHES THROUGH FULL SCALE WIND TESTING. THE WIND AREA USED IN THE CALCULATION IS BASED ON THE WIND TEST DATA. THE CALCULATION ACCOUNT FOR THE TREE BRANCHES, ATTACHED AT THE TOP OF THE MONOPOLE. ISE INC. HAS REVIEWED AND APPROVED THE WIND TEST METHODS.
- THE MAIN MONOPOLE STRUCTURE SHALL BE FABRICATED BY A JURISDICTION CERTIFIED FABRICATOR OF CONVENTIONAL STEEL STRUCTURES.
- SPECIAL INSPECTION SHALL BE PERFORMED ACCORDING TO SECTION 1704 OF THE 2012 IBC REFER TO TABLE "SUMMARY OF SPECIAL INSPECTION" ON THIS SHEET.
- IT IS THE CONTRACTOR'S SOLE RESPONSIBILITY TO NOTIFY THE SPECIAL INSPECTOR OR INSPECTION AGENCY (OR THE INSPECTING GEOTECHNICAL ENGINEER) AT LEAST ONE WORKING DAY PRIOR TO PERFORMING ANY WORK THAT REQUIRES SPECIAL INSPECTION. PER THE 2012 IBC ANY WORK THAT REQUIRES SPECIAL INSPECTION THAT IS UNPAID FOR OR COVERED WITHOUT THE APPROVAL OF THE SPECIAL INSPECTOR IS SUBJECT TO REWORK.
- THE LIST OF SPECIAL INSPECTIONS IS IN ADDITION TO INSPECTIONS REQUIRED BY SECTION 110 OF THE 2012 IBC. SPECIAL INSPECTION IS NOT A SUBSTITUTION FOR INSPECTION BY A CITY INSPECTOR.
- THE SPECIAL INSPECTOR SHALL BE APPROVED BY THE LOCAL JURISDICTION TO PERFORM THE TYPES OF INSPECTION REQUIRED.
- CONTINUOUS INSPECTION IS ALWAYS REQUIRED DURING THE PERFORMANCE OF THE WORK UNLESS OTHERWISE SPECIFIED.
- ANY SUPPORT SERVICE PERFORMED BY THE ENGINEER OF RECORD DURING CONSTRUCTION SHALL BE OBTAINED FROM CONTINUOUS AND DETAILED INSPECTION SERVICES, WHICH ARE FURNISHED BY OTHERS. THESE SUPPORT SERVICES PERFORMED BY THE ENGINEER OF RECORD ARE ONLY FOR THE PURPOSE OF ASSISTING IN THE QUALITY CONTROL AND IN ACHIEVING CONFORMANCE WITH THE CONTRACT DOCUMENTS. THIS SUPPORT DOES NOT GUARANTEE THE CONTRACTOR'S PERFORMANCE AND SHALL NOT BE CONSTRUED AS SUPERVISION OF CONSTRUCTION.
- THE ANTENNA MOUNT SHALL BE FABRICATED BY LARSON CAMOUFLAGE, LLC, OR AN APPROVED FABRICATOR OF CONVENTIONAL STEEL STRUCTURES.

FOUNDATION NOTES

- THE GEOTECHNICAL ENGINEER (OR THE APPROPRIATE INSPECTOR) SHALL INSPECT THE EXCAVATION PRIOR TO PLACING REINFORCED STEEL. ON FORMING THE GEOTECHNICAL ENGINEER (OR INSPECTOR) SHALL PROVIDE A NOTICE OF INSPECTION FOR THE BUILDING INSPECTOR FOR REVIEW AND RECORD PURPOSE.
- THE CONTRACTOR SHALL DETERMINE THE MEANS AND METHODS TO SUPPORT THE EXCAVATION DURING CONSTRUCTION. REFER TO THE GEOTECHNICAL REPORT FOR RECOMMENDATIONS.
- THE CONTRACTOR SHALL READ THE GEOTECHNICAL REPORT AND SHALL CONSULT THE GEOTECHNICAL ENGINEER AS NECESSARY PRIOR TO CONSTRUCTION.
- FOUNDATION DESIGN PER GEOTECHNICAL REPORT
 IBC 2012 Per Table 1803.2, Seismic Class 5
 Allowable Soil Bearing Pressure 1800 psf.
- ALL FOUNDATION CONCRETE SHALL HAVE A MINIMUM COMPRESSIVE STRENGTH F_c = 4000 PSI AT 28 DAYS. CONCRETE MIX SHALL BE DESIGNED BY AN APPROVED LABORATORY. CONCRETE SHALL HAVE A MAXIMUM WATER/CEMENT RATIO OF 0.48. ALL CONCRETE CONSTRUCTION SHALL BE IN ACCORDANCE WITH ACI 318. THE BUILDING CODE REQUIREMENTS FOR REINFORCED CONCRETE, LATEST EDITION. CEMENT SHALL BE TYPE III, CONFORMING TO ASTM C-150. ALL AGGREGATE USED IN THE CONCRETE SHALL CONFORM TO ASTM C-33, MAXIMUM AGGREGATE SIZE TO BE 1/2" SLUMP 4" ±.
- CAISSON FOUNDATION INSTALLATION SHALL BE IN ACCORDANCE WITH ACI 308. STANDARD SPECIFICATIONS FOR THE CONSTRUCTION OF DRILLED PILES, LATEST EDITION. NATURAL FOUNDATION INSTALLATION SHALL BE IN ACCORDANCE WITH ACI 318 LATEST EDITION. CONCRETE CYLINDERS SHALL BE MADE AND TESTED AT A MINIMUM OF ONE (1) SET SHALL BE TAKEN FROM CONCRETE IN FOUNDATION. EACH SET SHALL CONSIST OF FOUR (4) CYLINDERS. ONE SHALL BE TESTED AT (7) DAYS, TWO SHALL BE TESTED AT TWENTY EIGHT (28) DAYS AND THE LAST CYLINDER SHALL BE A HOLD. ALL CYLINDERS SHALL BE TAKEN, PREPARED AND TESTED BY A TESTING LAB IN ACCORDANCE WITH ASTM STANDARDS C112, C31 AND C39.
- ALL REINFORCING STEEL SHALL CONFORM TO ASTM A615. VERTICAL BARS SHALL BE GRADE 60, AND TIE OR STRIPPS SHALL BE A MINIMUM OF GRADE 40. THE PLACEMENT OF ALL REINFORCEMENT SHALL CONFORM TO ACI 318, "MANUAL OF STANDARD PRACTICE FOR DETAILING REINFORCED CONCRETE STRUCTURES", LATEST EDITION, UNLESS OTHERWISE DETAILED ON THIS SHEET.
- ESTIMATED CONCRETE VOLUME =
 PER N/A CY
 MAT N/A CY
- THE FOUNDATION HAS BEEN DESIGNED TO RESIST THE FOLLOWING FACTORED LOADS
 MOMENT = 67,873 FT-KIPS, SHEAR = 3,575 KIPS, AXIAL = 2,208 KIPS
- SPECIAL INSPECTION REQUIRED PER TABLE "SUMMARY OF SPECIAL INSPECTION"

ERECTION NOTES

- ALL ANTENNA COAXIAL CABLES SHALL BE RUN INSIDE THE MONOPOLE SHAFT.
- THE CONTRACTOR SHALL INSTALL THE ANTENNA AND MOUNT AS REQUIRED BY THE OWNER.
- ALL ANCHOR BOLT NUTS SHALL BE TIGHTENED TO AISC SNUG TIGHT REQUIREMENTS. THE SNUG TIGHT CONDITION IS DEFINED AS THE TIGHTNESS THAT EXISTS WHEN ALL PILES IN A JOINT ARE IN FIRM CONTACT. THIS MAY BE ATTAINED BY A FEW IMPACTS OF AN IMPACT WRENCH OR THE FULL EFFORT OF A MAN USING AN ORDINARY SPUD WRENCH.
- ALL GALVANIZED SURFACES THAT ARE DAMAGED BY ABRASIONS, CUTS, DRILLING OR FIELD WELDING DURING SHIPPING OR ERECTION SHALL BE TOUCHED UP WITH TWO COATS OF A COLD GALVANIZING COMPOUND MEETING THE REQUIREMENTS OF ASTM A790.
- THE ANCHOR BOLT NUTS AND BASE PLATE WILL TYPICALLY HAVE AN AZIMUTH WELDED OR A NOTCH INDICATING THE CORRECT ORIENTATION OF THE ANCHOR BOLTS. THIS IS NECESSARY TO PROPERLY ORIENT THE MONOPOLE EXIT PORTS.
- SLIP JOINT IS A FRICTION CONNECTION THAT WILL TRANSFER DESIGN FORCES WHEN THE SPECIFIED OVERLAP IS ACHIEVED. ASSEMBLY CONTRACTOR SHALL BE EXPERIENCED AND FAMILIAR WITH TAPERED POLE ASSEMBLY. CONTRACTOR SHALL CONSCIOUSLY MARK THE LOWER POLE SECTION FOR THE MAXIMUM DESIGN AND MINIMUM OVERLAP DISTANCES. CONTRACTOR SHALL SLIDE SECTIONS TOGETHER AND APPLY FORCES THROUGH JACKING OR CRD RAMP TO ACHIEVE THE DESIGN OVERLAP.
- ALL SLIP SPICES SHALL BE JACKED TO WITHIN THE SLIP SPICE DESIGN CRITERIA AS SHOWN ON THESE DRAWINGS. IF THE DESIGN SPICE CANNOT BE ATTAINED ISE INC. SHALL BE CONTACTED.
- ALL AISC THREADED ROD AND NUTS SHALL BE TIGHTENED TO AISC SNUG REQUIREMENTS. THE SNUG TIGHT CONDITION IS DEFINED AS THE TIGHTNESS THAT EXISTS WHEN ALL PILES IN A JOINT ARE IN FIRM CONTACT. THIS MAY BE ATTAINED BY A FEW IMPACTS OF AN IMPACT WRENCH OR THE FULL EFFORT OF A MAN USING AN ORDINARY SPUD WRENCH. AISC NUTS AND BOLTS TIGHTENING DO NOT REQUIRE SPECIAL INSPECTION.
- ANTENNA MOUNT SHALL NOT BE USED AS A CLIMBING DEVICE. WORKERS SHALL ALWAYS BE OFF TO A SPECIFIED CLIMBING POINT.

SUMMARY OF SPECIAL INSPECTIONS

ID	DESCRIPTION OF TYPE OF INSPECTION REQUIRED, LOCATION, REMARKS, ETC.	CONTINUOUS / PERIODIC
D	FOUNDATION CONSTRUCTION	
A	GEOTECHNICAL ENGINEER (OR RECORD) MAY BE USE AS THE SPECIAL INSPECTOR FOR THE FOUNDATION CONSTRUCTION	
B	SHALL VERIFY THE QUANTITY, DEPTH AND QUALITY OF EXCAVATION PRIOR TO THE CONCRETE PLACEMENT	PERIODIC
C	SHALL VERIFY THE ON-SITE BOLLS ARE AS DETERMINED IN THE BOLS REPORT	PERIODIC
D	CAST IN PLACE CONCRETE FOUNDATION	
A	REINFORCING CAGE SHALL BE INSPECTED TO ENSURE THAT THE PROPER GEOMETRY, SIZE, LENGTH, QUANTITY AND GRADE MATERIAL ARE USED	PERIODIC
B	ALL CONCRETE SHALL BE AS SPECIFIED BY ACI 318 LATEST EDITION TO ENSURE THE COMPRESSIVE STRENGTH IS ATTAINED AS DESCRIBED IN THE FOUNDATION NOTES.	
C	CONTINUOUS INSPECTION IS REQUIRED DURING THE CONCRETE PLACEMENT.	CONTINUOUS
S	ANCHOR BOLTS INSTALLED IN CONCRETE	
A	PLACEMENT SHALL BE ORIENTED ON PROPER BOLT ORIENT AS SHOWN ON THE STRUCTURAL PLANS, WITH TOP AND BOTTOM TEMPLATES INSTALLED	PERIODIC
B	SHALL BE PLUMB.	PERIODIC
B	SHALL HAVE A MINIMUM EMBEDMENT OF 4-0" INTO FOUNDATION (TOP MAXIMUM PROJECTION)	PERIODIC
B	SHALL BE TIGHTENED TO SNUG TIGHT CONDITION PER AISC STEEL MANUAL OF STEEL CONSTRUCTION	PERIODIC

**PHO_ZUZU-VALLEYHO_2_SC
 (SMALL CELL)**
PRODUCT INFORMATION & NOTES
 SCOTTSDALE RD & MAIN ST., Scottsdale, AZ 85251

THIS DRAWING IS THE INTELLECTUAL PROPERTY OF LARSON CAMOUFLAGE, LLC AND MAY NOT BE USED FOR FABRICATION WITHOUT THE EXPRESS WRITTEN CONSENT OF LARSON CAMOUFLAGE, LLC.

PROGRESS LOG

11/28/16	Client Comments	NO
11/28/16	Added Sign-off Postcard	NO
11/28/16	Visit Client Change	NO
09/10/16	Pole Diameter Change	NO
8/27/16	Pole Diameter Change	NO
10/28/16	Added Pole Equipment Base	NO

SHEET NUMBER: **PF1.0** / **6**

DRAWING DATE: **November 28, 2016**

FIBERGLASS REINFORCED PLASTIC (FRP) SHAPES:

1. ALL FRP SHAPES AND PLATE SHALL CONFORM TO STRONGWELL EXTREN 500/525 SERIES.
2. APPLY RESIN ADHESIVE TO ALL FRP MATING SURFACES PRIOR TO BOLTING.
3. STRONGWELL FIBREBOLTS AND NUTS OR EQUAL.
4. ALL CUT EDGES AND HOLES SHALL BE SEALED WITH A RESIN COMPATIBLE WITH THE RESIN MATRIX USED IN THE STRUCTURAL SHAPE.
5. THE FABRICATOR AND CONTRACTOR SHALL EXERCISE PRECAUTIONS NECESSARY TO PROTECT THE FIBERGLASS PULTRUDED STRUCTURAL SHAPES FROM ABUSE TO PREVENT BREAKAGE, NICKS, GOUGES, ETC. DURING FABRICATION, HANDLING, AND INSTALLATION.
6. STRUCTURAL SHAPES SHALL BE FABRICATED AND ASSEMBLED AS INDICATED ON THE DESIGN DRAWINGS.
7. FIBERBOLTS BOLTS AND NUTS SHALL BE TIGHTENED TO AND LOCKED WITH EPOXY AS FOLLOWS:

1/2" DIAMETER NUTS	8 FT-LBS TORQUE
3/4" DIAMETER NUTS	16 FT-LBS TORQUE
1" DIAMETER NUTS	24 FT-LBS TORQUE

FIBERGLASS PANEL NOTES:

FABRICATE PANELS TO FIT PER DIMENSIONS SHOWN IN PLAN
PANELS TO BE MINIMUM 1/4" THICKNESS.

1. PANELS ARE TO BE FABRICATED IN A CONTIGUOUS LAYUP PER PLANS USING RF TRANSPARENT MATERIALS.
2. ARCHITECT SHALL SPECIFY ANY REQUIRED FINISHES OR TREATMENTS TO ACHIEVE DESIRED APPEARANCE.
3. FABRICATOR SHALL USE A GLASS-RESIN RATIO OF 30% ± 3% REINFORCEMENT BY WEIGHT.
4. EACH SKIN SHALL BE FABRICATED WITH GENERAL PURPOSE RESIN OR POLYESTER VINYL RESIN WHERE REQUIRED FOR FIRE TREATMENT, CHOPPED STRAND MAT.
5. CORNER FLANGES MAY BE FASTENED WITH 1/4" Ø NON-METALLIC THREADED ROD AND NUTS; STRONGWELL FIBREBOLT STUDS AND NUTS OR EQUIVALENT. A TORQUE WRENCH MUST BE USED TO TIGHTEN FASTENERS TO A MAXIMUM 16 FT-LBS.
6. FRP PANELS AND SHAPES SHALL BE COATED WITH A FLAT GEL-COAT FINISH TO PROVIDE ULTRAVIOLET PROTECTION.
7. ALL CUT AND DRILLED EDGES SHALL BE COATED WITH RESIN.
8. FABRICATOR AND INSTALLER SHALL TEST FIT ALL PANELS PRIOR TO FINAL ASSEMBLY/INSTALLATION TO ASSURE SQUARENESS AND CORNER FITS.

STRUCTURAL STEEL:

1. ALL STRUCTURAL STEEL CODE CHECKS BASED ON THE AISC, 14TH EDITION PER THE ASCE 7 STANDARD.
2. ALL STEEL PIPE TO BE PER API 5LX GR 42.
3. ALL STEEL (HSS) TO BE PER ASTM A500 GR. B (46 KSI), U.N.C.
4. ALL OTHER STRUCTURAL STEEL SHAPES & PLATES SHALL BE PER ASTM A36 (36 KSI), U.N.C.
5. ALL BOLTS FOR STEEL-TO-STEEL CONNECTIONS SHALL BE ASTM A325N, U.N.C.
6. ALL BOLTED CONNECTIONS SHALL BE TIGHTENED TO "SNUG TIGHT" CONDITION AS DEFINED BY AISC.
7. ALL WELDING SHALL BE PERFORMED BY CERTIFIED WELDERS IN ACCORDANCE WITH THE LATEST EDITION OF THE AMERICAN WELDING SOCIETY (AWS) D1.1.
8. ALL STEEL SURFACES SHALL BE GALVANIZED IN ACCORDANCE WITH THE ASTM A123 AND ASTM A153 STANDARDS, U.N.C.

CONNECTION PROCEDURE NOTES:

ADHESIVE: WELD-ON 45 OR 3M 540
PER MANUFACTURES SPECIFICATIONS & RECOMMENDATIONS

STRONGWELL

CONNECTIONS

PROCEDURE FOR MAKING STRUCTURAL EPOXY JOINTS

Materials Used

- Strongwell epoxy adhesive base
- Strongwell epoxy adhesive hardener
- Small wax coated paper cup for mixing
- Clean wooden or FRP stick for mixing
- 120 grit sandpaper
- Clamps for holding epoxy joints during cure
- Clean cloth

Surface Preparation

- 1) Sand mating surfaces with 120 grit sandpaper until the surface gloss has been removed. The surfacing will must be ground off to expose the glass reinforcement. Sand blasting equipment can also be used.
- 2) Remove all dust with a clean cloth; air blasting equipment may also be used. Avoid recontamination of the surface from handling.

Mixing of Epoxy

Mix equal volume portions of the base and hardener in a small wax coated paper cup with a clean stick until a uniform gray color is attained and all marbled appearance is gone.

NOTE: Other adhesive systems compatible with fiberglass can be utilized and the manufacturer's mixing instructions for these systems should be followed.

Application and Cure

- 1) Apply the mixed epoxy uniformly to all surfaces to be joined. A thin application is often more beneficial than a thick application.
- 2) Avoid introducing moisture into the joint.
- 3) Join the surfaces to be bonded. The pot life at 77°F for a 3 oz. mixture of equal volumes of base and hardener is 2.5 hours.
- 4) Secure the joint with clamps (or rivets or bolts) and allow 24 hours for a full cure. The assembly can often be handled with reasonable care in less than 8 hours. The structure should not be required to support its design load until at least 48 hours (at 70°F) after bonding. Lower temperatures require a longer cure.
- 5) After securing the joint, wipe away excess epoxy.



LARSON CAMOUFLAGE

1501 South Evelyn Avenue
Tucson, AZ 85713
(520) 794-3900
www.larsoncamo.com

LARSON JOB # 516201



ISE Incorporated
Structural Engineers

P. O. BOX 10704
Phoenix, Arizona 85010
AZ 85010-0704

ISE JOB # 10704

PHO_ZUZU-VALLEYHO_2_SC
(SMALL CELL)

PRODUCT INFORMATION & NOTES

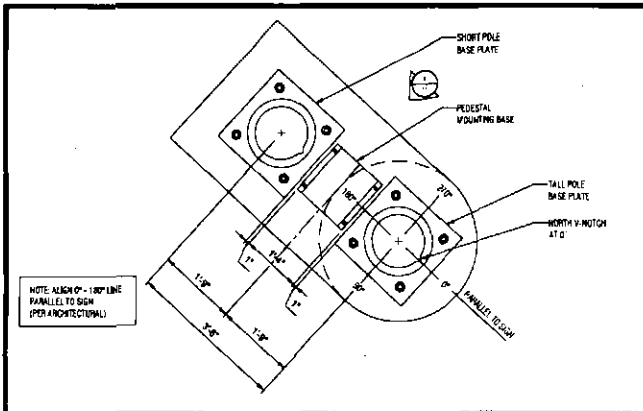
SCOTTSDALE RD & MAIN ST., SCOTTSDALE, AZ 85251

THIS DRAWING IS THE INTELLECTUAL PROPERTY OF LARSON CAMOUFLAGE LLC AND MAY NOT BE REPRODUCED OR FABRICATED WITHOUT THE EXPRESS WRITTEN CONSENT OF LARSON CAMOUFLAGE, LLC

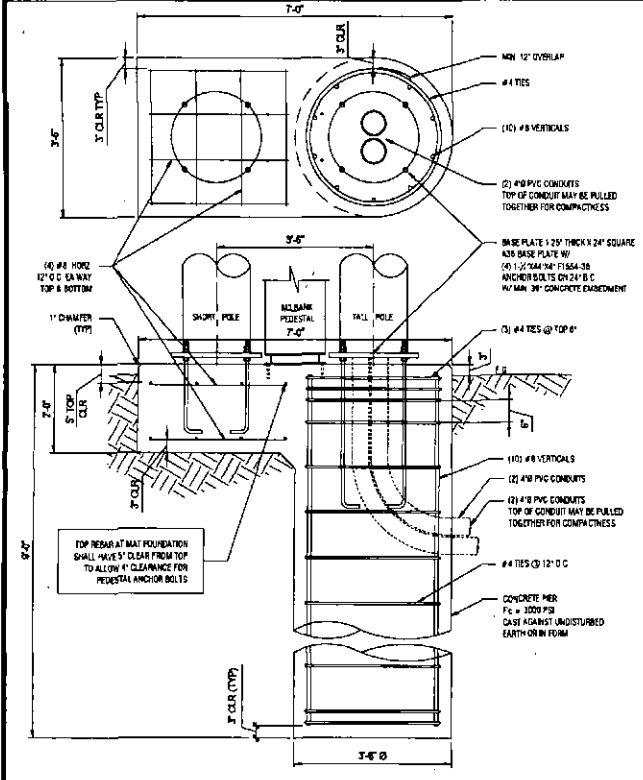
PROGRESS LOG	
4/11/2016	Client Comments
5/11/2016	Added Lighter Pattern
6/8/2016	Next Cover Change
7/28/2016	Pipe Diameter Change
8/1/2016	Pipe Diameter Change
10/27/16	Added Pipe Equipment Data

SHEET NUMBER	PROGRESS
PF1.1	6

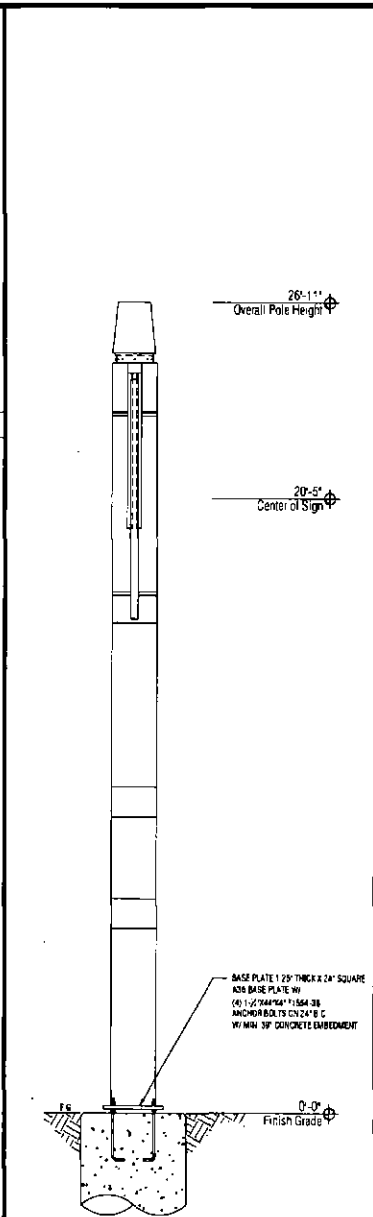
DRAWING DATE
November 28, 2016



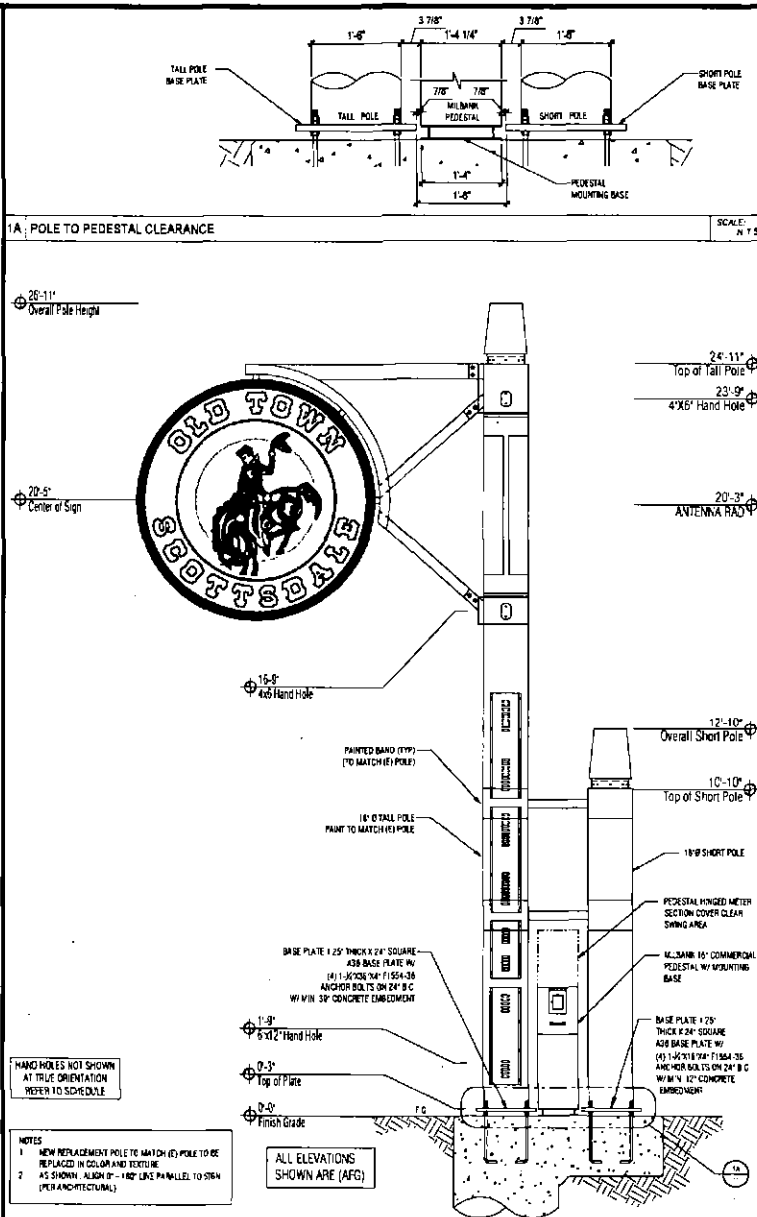
4 ANCHOR BOLT ORIENTATION SCALE: N.T.S.




3 PIER FOUNDATION SCALE: N.T.S.




2 POLE ELEVATION - SIDE SCALE: N.T.S.



1 POLE ELEVATION - FRONT SCALE: N.T.S.



LARSON CAMOUFLAGE
 1501 South Equis Avenue
 Tucson, AZ 85715
 (520) 284-3800
 www.larsoncamo.com
 LARSON JOB # : 510091



ISE Incorporated
 Structural Engineers
 P.O. BOX 1004
 PHOENIX, ARIZONA 85004
 PHONE: 602-998-1111
 FAX: 602-998-1112
 ISE JOB # : 10704

PHO_ZUZU-VALLEYHO_2_SC
 (SMALL CELL)

POLE DETAIL & FOUNDATION DETAIL(S)

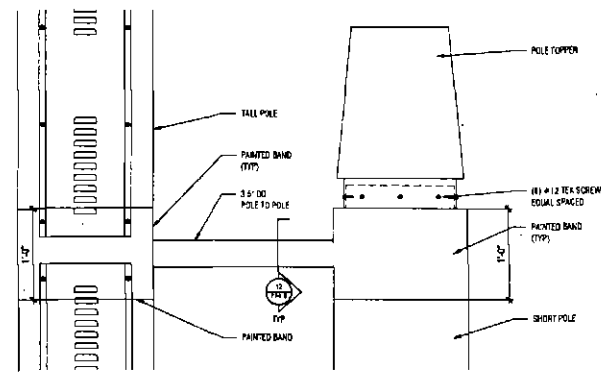
SCOTTSDALE, AZ 85251

THIS DRAWING IS THE INTELLECTUAL PROPERTY OF LARSON CAMOUFLAGE, LLC AND MAY NOT BE USED FOR FABRICATION WITHOUT THE EXPRESS WRITTEN CONSENT OF LARSON CAMOUFLAGE, LLC.

PROGRESS LOG	
8/11/2016	Issue Comments
8/11/2016	Added Arizona Address
8/10/16	Start Cover Change
8/10/16	Pole Details Change
8/10/16	Pole Details Change
8/10/16	Added Pole Equipment Bar

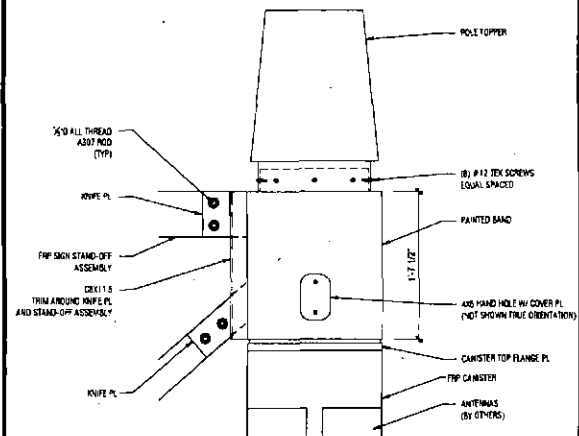
SHEET NUMBER	PROGRESS
PF2.0	6

DRAWING DATE
 November 28, 2016



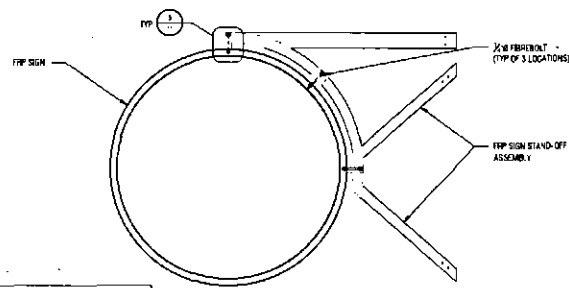
3 TOP OF SHORT POLE DETAIL

SCALE: 1/8" = 1'-0"



1 TOP OF TALL POLE DETAIL

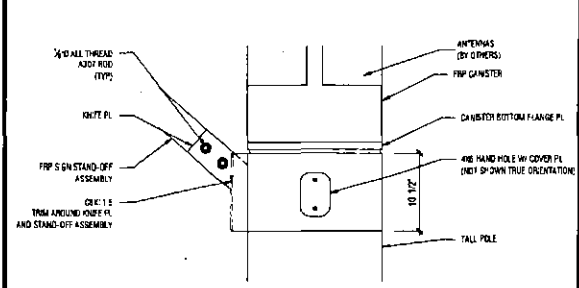
SCALE: 1/8" = 1'-0"



NOTE: SECTION THROUGH CENTER OF SIGN SHOWN FOR CONNECTION CLARITY.

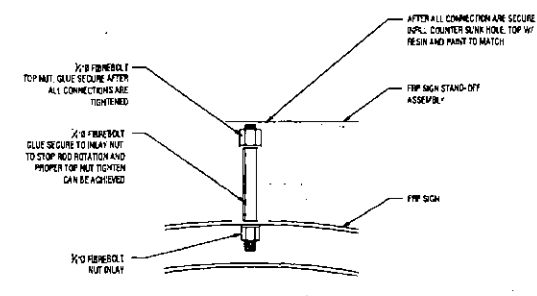
4 FRP SIGN TO FRP SIGN STAND CONNECTIONS

SCALE: 1/2" = 1'-0"



2 BOTTOM OF SIGN FRP ASSEMBLY DETAIL

SCALE: 1/8" = 1'-0"



5 TYPICAL FRP SIGN TO FRP STAND-OFF ASSEMBLY

SCALE: 3/4" = 1'-0"

verizon

LARSON CAMOUFLAGE
 1501 South Euclid Avenue
 Tucson, AZ 85713
 (520) 294-3500
 www.larsoncamo.com

LARSON JOB # S18081

ISE Incorporated
 Structural Engineers

P.O. BOX 30099
 Phoenix, Arizona 85068
 PHONE 602-955-1111
 www.iseinc.com

ISE JOB #: 10704

PHO_ZUZU-VALLEYHO_2_SC
 (SMALL CELL)

DETAILS

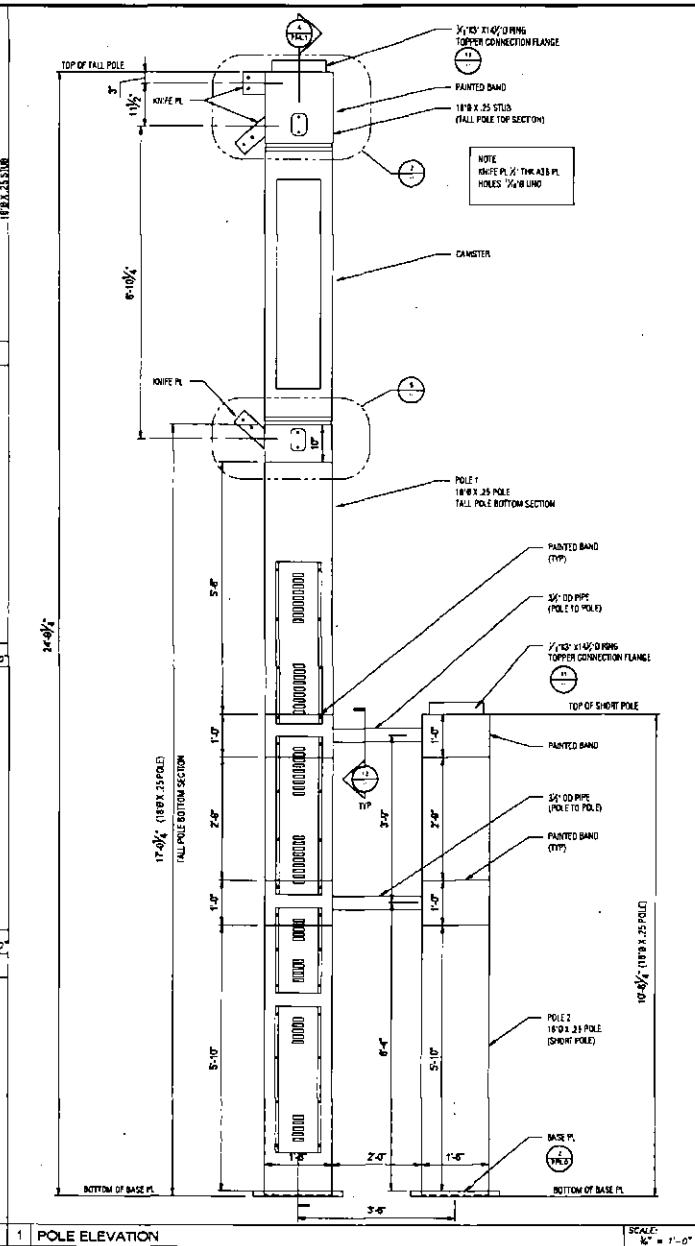
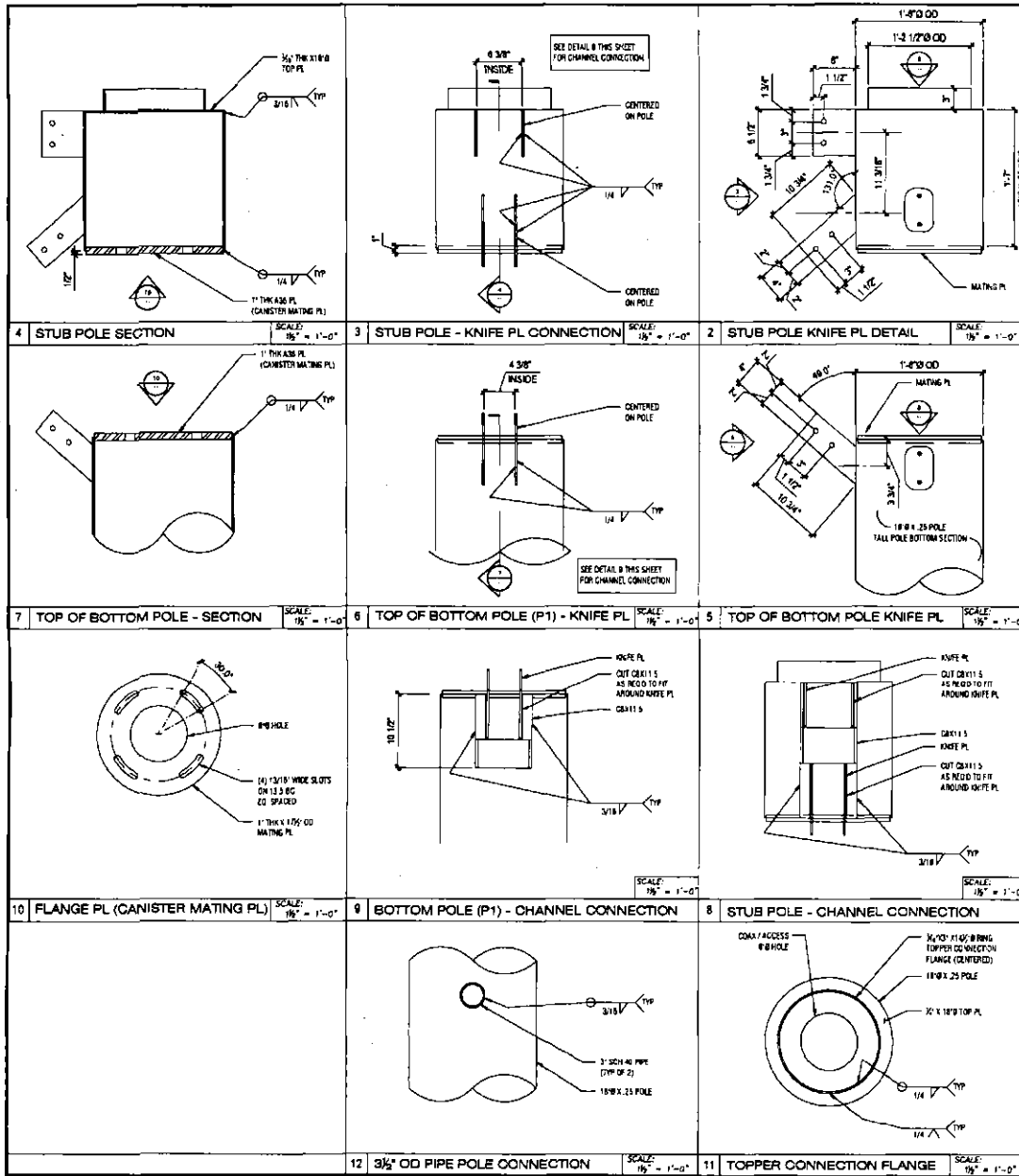
SCOTTSDALE RD & MAIN ST., Scottsdale, AZ 85251

THIS DRAWING IS THE INTELLECTUAL PROPERTY OF LARSON CAMOUFLAGE, LLC AND MAY NOT BE USED FOR FABRICATION WITHOUT THE EXPRESS WRITTEN CONSENT OF LARSON CAMOUFLAGE, LLC.

PROGRESS LOG		
11/26/16	Client Comments	MC
11/26/16	Added Utility's Protocol	MC
12/21/16	Work Load Change	MC
1/20/17	File Duplication Change	MC
1/27/17	File Duplication Change	MC
1/27/17	Added Title Examination Date	MC

SHEET NUMBER: **PF3.0** PROGRESS: **6**

DRAWING DATE: **November 28, 2016**



verizon

LARSON CAMOUFLAGE
 1501 South Euclid Avenue
 Tucson, AZ 85713
 (520) 284-2800
 www.larsoncamo.com
 LARSON JOB #: 818001

ISE Incorporated
 Structural Engineers
 P.O. BOX 5899
 Phoenix, Arizona 85068
 POE 014-004
 www.ise.com
 ISE JOB #: 10704

PHO_ZUZU-VALLEYHO_2_SC
 (SMALL CELL)

POLE DETAILS

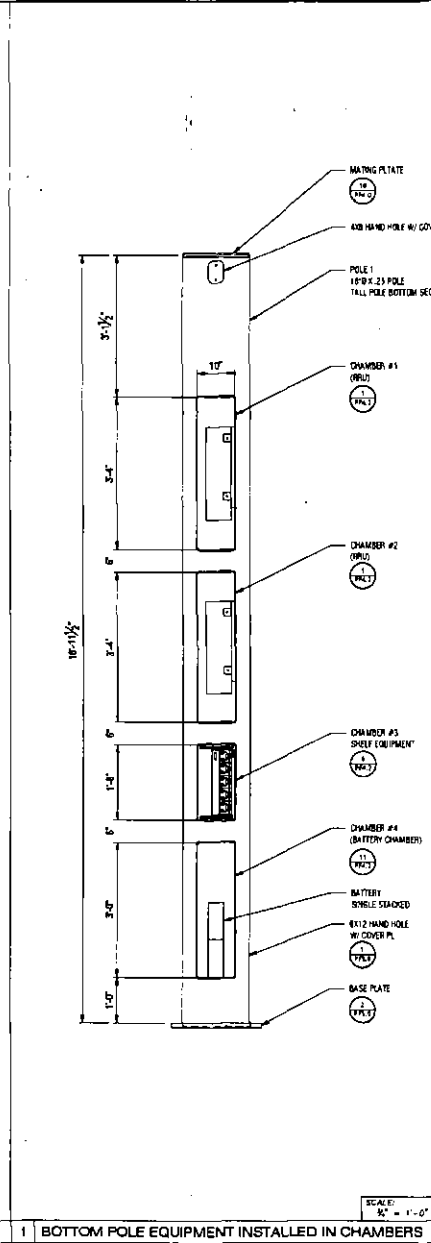
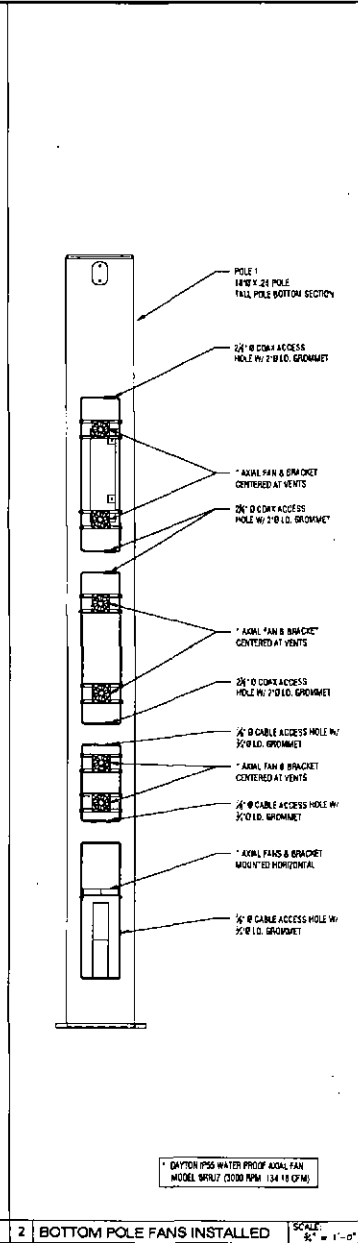
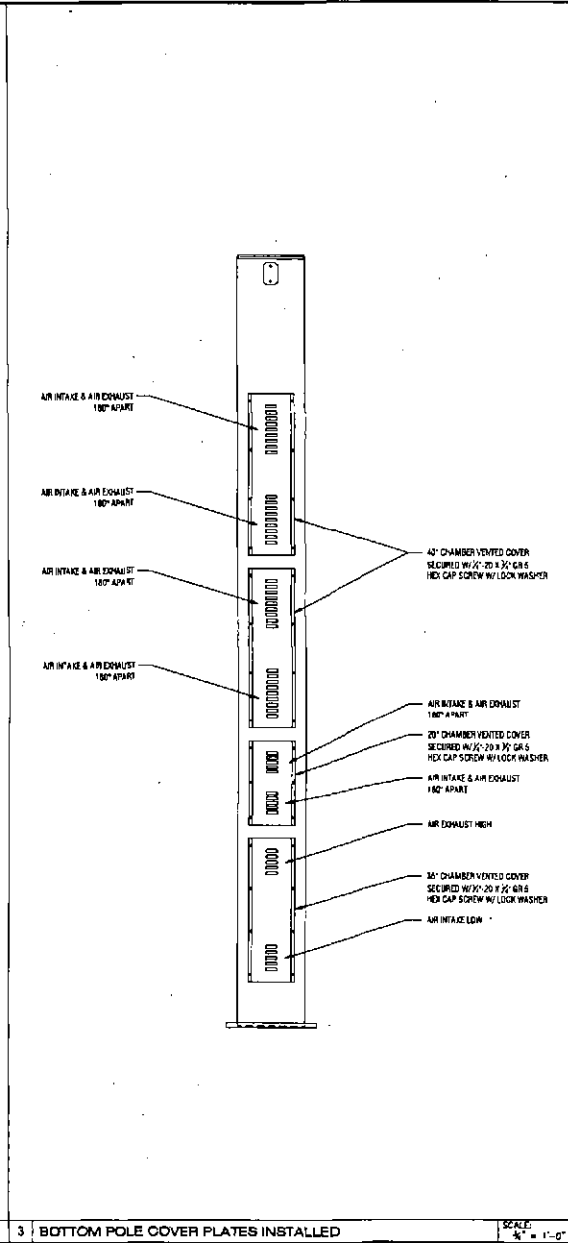
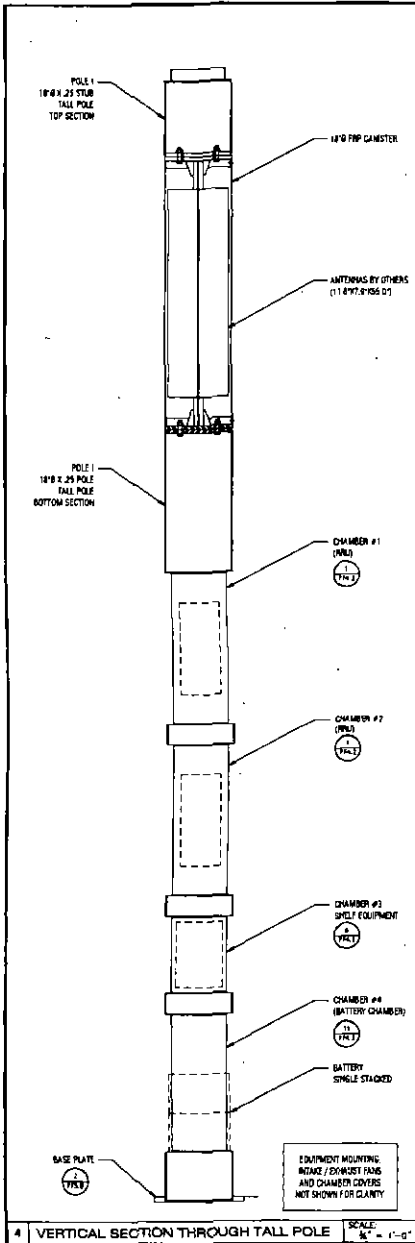
SCOTTSDALE RD & MAIN ST., Scottsdale, AZ 85251

THIS DRAWING IS THE INTELLECTUAL PROPERTY OF LARSON CAMOUFLAGE LLC AND MAY NOT BE USED FOR FABRICATION WITHOUT THE EXPRESS WRITTEN CONSENT OF LARSON CAMOUFLAGE, LLC

PROGRESS LOG		
NO.	DATE	DESCRIPTION
1	11/28/18	Issue Comments
2	11/29/18	Issue Comments
3	12/18/18	Issue Comments
4	02/19/19	Issue Comments
5	04/22/19	Issue Comments
6	07/18/19	Issue Comments
7	10/23/19	Issue Comments

SHEET NUMBER	PROGRESS
PF4.0	6

DRAWING DATE
November 28, 2018



4 VERTICAL SECTION THROUGH TALL POLE

3 BOTTOM POLE COVER PLATES INSTALLED

2 BOTTOM POLE FANS INSTALLED

1 BOTTOM POLE EQUIPMENT INSTALLED IN CHAMBERS

verizon

LARSON CAMOUFLAGE
1501 South Luke Avenue
Tucson, AZ 85713
(520) 284-3900
www.larsoncamo.com

LARSON JOB # 318581

ISE Incorporated
Structural Engineers
1000 W. 10th Street
Tucson, AZ 85710
www.iseinc.com

ISE JOB # 10704

PHO_ZUZU-VALLEYHO_2_SC
(SMALL CELL)

POLE DETAILS

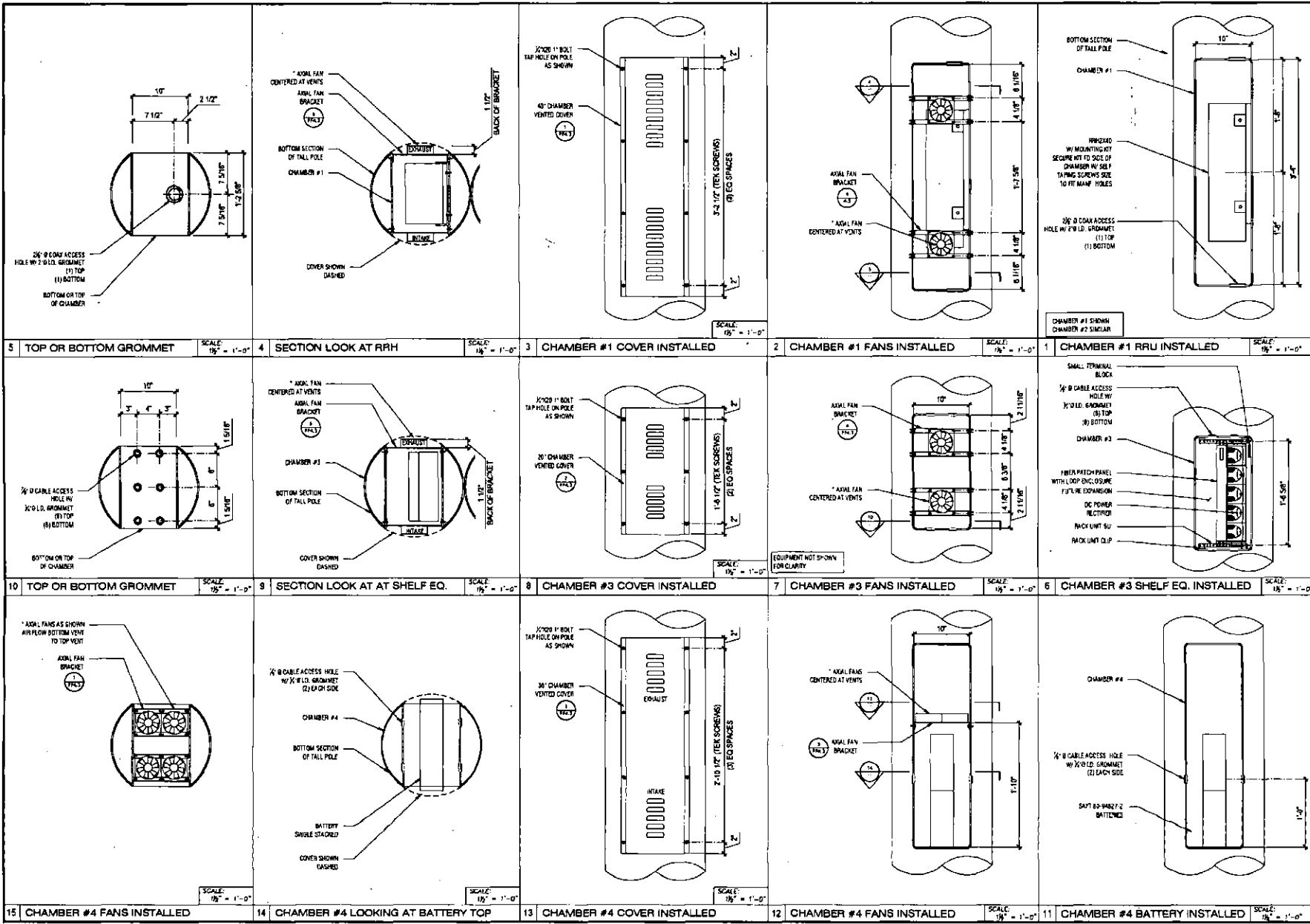
SCOTTSDALE RD & MAIN ST., Scottsdale, AZ 85251

THIS DRAWING IS THE INTELLECTUAL PROPERTY OF LARSON CAMOUFLAGE, LLC AND MAY NOT BE USED FOR FABRICATION WITHOUT THE EXPRESS WRITTEN CONSENT OF LARSON CAMOUFLAGE, LLC.

PROGRESS LOG			
6	11/28/24	Client Comments	MC
5	11/25/24	Added Additional Potentials	MC
4	10/27/24	Final Client Change	AC
3	09/29/24	POB Document Change	AC
2	1/27/24	POB Document Change	MC
1	10/23/24	Added POB Document Date	MC

SHEET NUMBER: **PF4.1** PROGRESS: **6**

DRAWING DATE: **November 28, 2016**



LARSON CAMOUFLAGE
 1501 South Currier Avenue
 Tucson, AZ 85713
 (520) 524-5300
 www.larsoncamo.com

LARSON JOB #: S10081



ISE JOB #: 10704

PHO_ZUZU-VALLEYHO_2_SC
(SMALL CELL)
POLE DETAILS

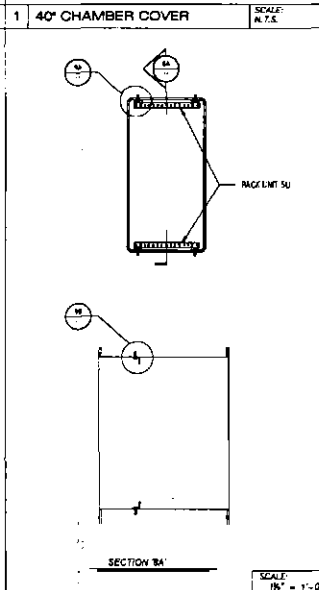
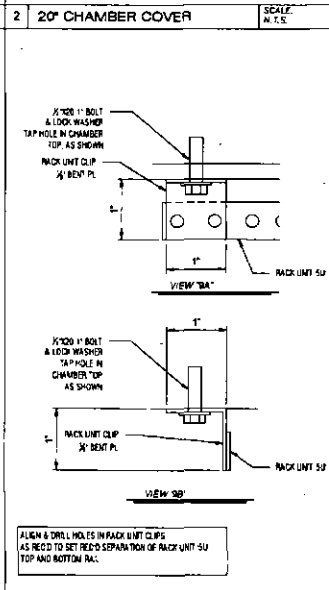
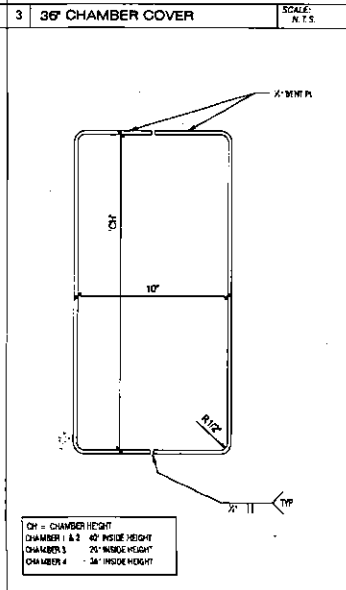
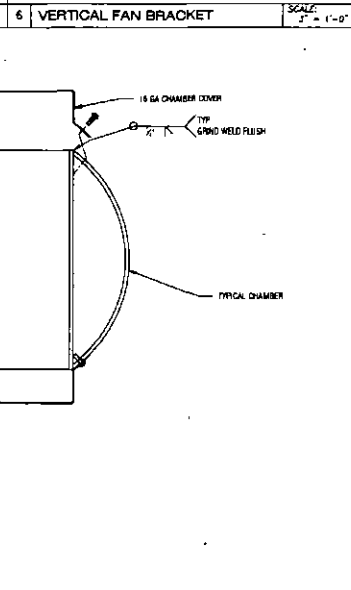
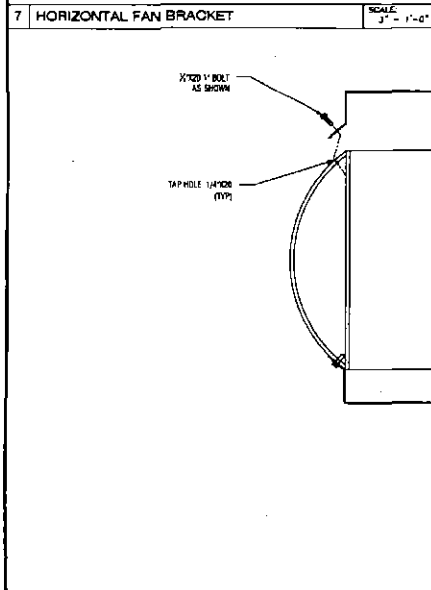
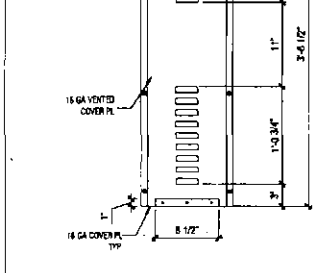
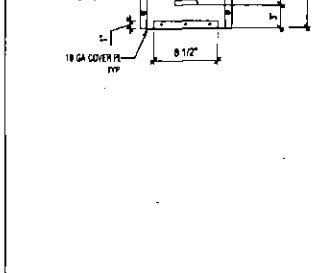
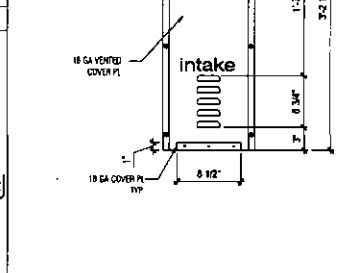
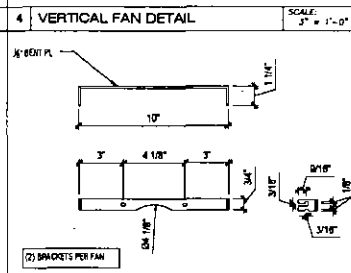
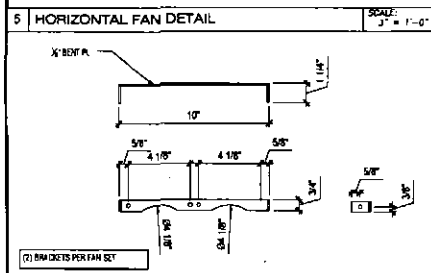
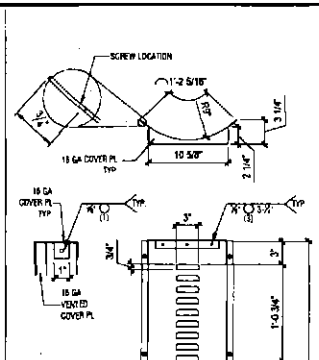
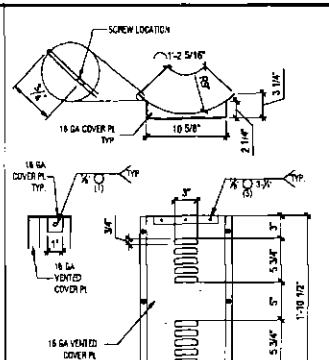
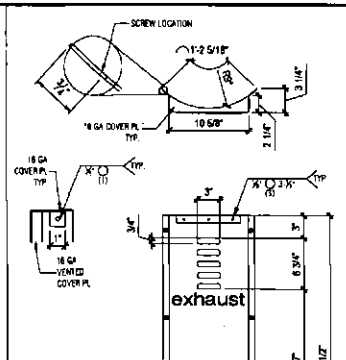
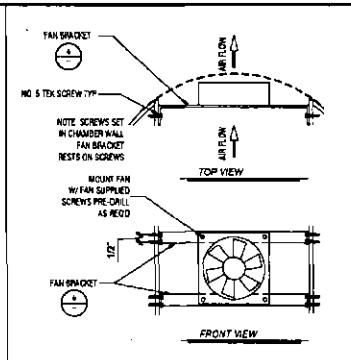
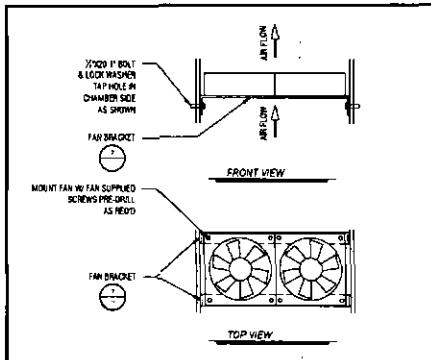
SCOTT DALE RD & MAIN ST., Scottsdale, AZ 85251

THIS DRAWING IS THE INTELLECTUAL PROPERTY OF LARSON CAMOUFLAGE, LLC AND MAY NOT BE USED FOR FABRICATION WITHOUT THE EXPRESS WRITTEN CONSENT OF LARSON CAMOUFLAGE, LLC

PROGRESS LOG	
8/11/2016	Client Comments
8/11/2016	Issued Millwork's Permit
8/22/16	Visit Client Change
8/23/16	Rev. Drawing Change
8/23/16	Asa. Drawing Change
8/23/16	Issued Pole Equipment Bids

SHEET NUMBER: **PF4.2** PROGRESS: **6**

DRAWING DATE: **November 28, 2016**



11 CHAMBER SECTION DETAIL SCALE: 3" = 1'-0"

10 CHAMBER ELEVATION DETAIL SCALE: 3" = 1'-0"

9 ENLARGED CLIP DETAIL SCALE: 12" = 1'-0"

8 RACK UNIT 'SU' MOUNTING DETAIL SCALE: 1 1/2" = 1'-0"

1 CHAMBER COVER SCALE: N.T.S.

verizon

LARSON CAMOUFLAGE
 1301 South Evelyn Avenue
 Tucson, AZ 85713
 (520) 294-2800
 www.larsoncamo.com

LARSON JOB #: S18001

ISE Incorporated
 Structural Engineers
 P.O. BOX 9822
 Phoenix, Arizona 85016
 Phone: 480.441.4444
 Fax: 480.441.4444

ISE JOB #: 10704

PHO_ZUZU-VALLEYHO_2_SC
 (SMALL CELL)

POLE DETAILS

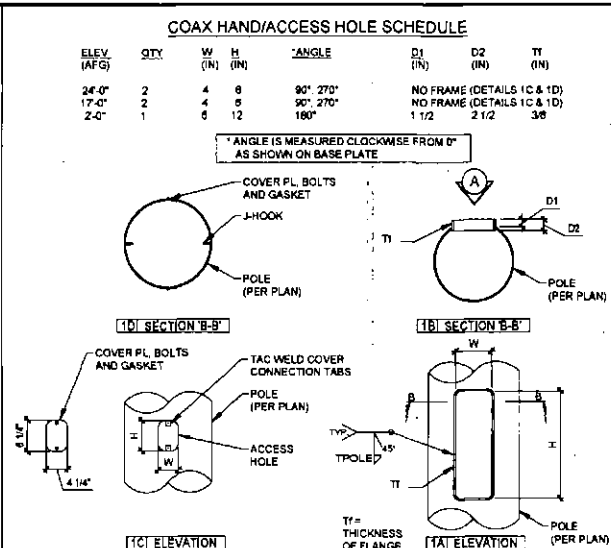
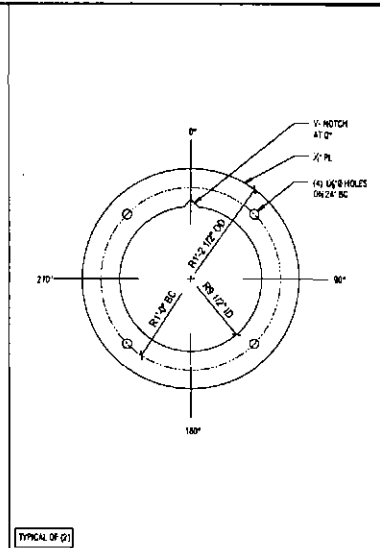
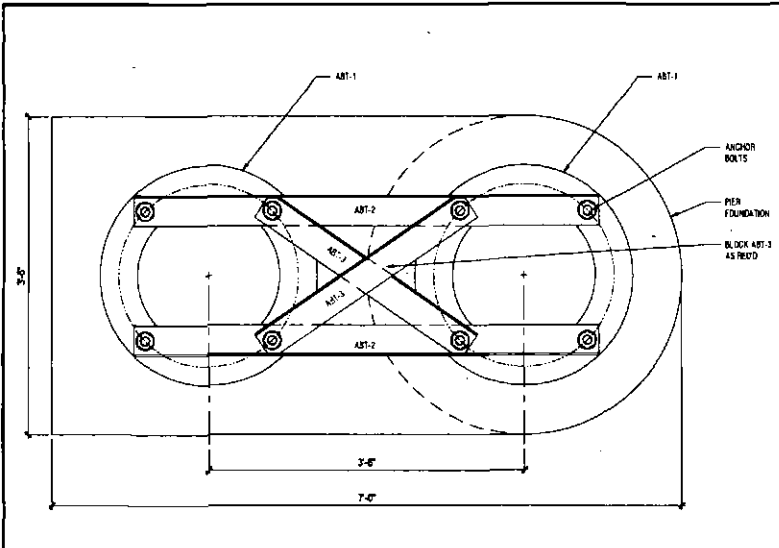
SCOTTSDALE RD & MAIN ST., Scottsdale, AZ 85251

THIS DRAWING IS THE INTELLECTUAL PROPERTY OF LARSON CAMOUFLAGE, LLC AND MAY NOT BE USED FOR FABRICATION WITHOUT THE EXPRESS WRITTEN CONSENT OF LARSON CAMOUFLAGE, LLC.

PROGRESS LOG	
8 (11.28.18)	Client Comments MC
5 (11.21.18)	Added Material Protocol MC
4 (02.18.19)	Start Cover Change AD
3 (04.24.19)	Pole Diameter Change AD
2 (07.11.19)	Pole Diameter Change MC
1 (09.25.19)	Added Pole Equipment Alter MC

SHEET NUMBER	PROGRESS
PF4.3	6

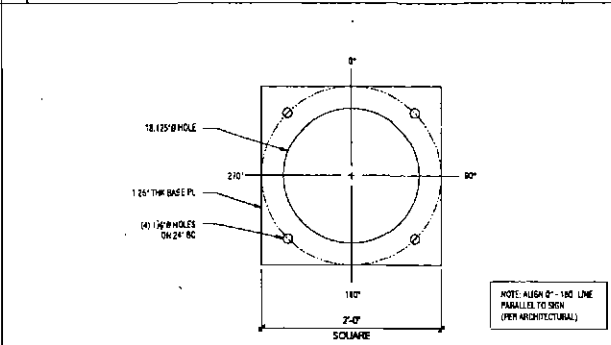
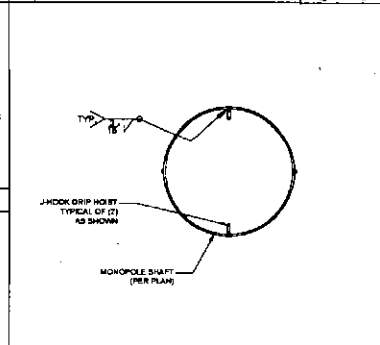
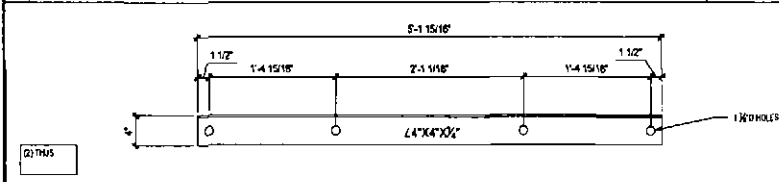
DRAWING DATE
 November 28, 2018



7 ANCHOR BOLT TEMPLATE LAYOUT SCALE: 1/8" = 1'-0"

4 ANCHOR BOLT TEMPLATE (ABT-1) SCALE: 1/8" = 1'-0"

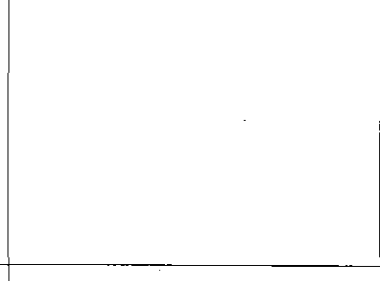
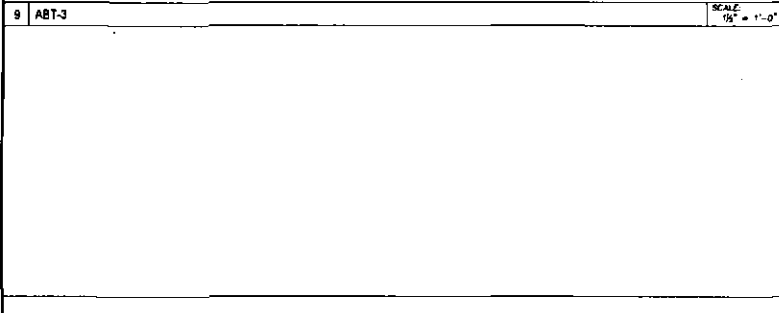
1 COAX HAND HOLE DETAILS SCALE: 1/4" = 1'-5"



8 ABT-2 SCALE: 1/8" = 1'-0"

5 J-HOOK INSIDE POLE AT COAX PORTS SCALE: N.P.S.

2 BASE PL DETAIL SCALE: N.F.S.



3 POLE/BASE PLATE CONNECTION SCALE: N.T.S.

verizon

LARSON CAMOUFLAGE
1501 South Curtis Avenue
Tucson, AZ 85713
(520) 284-3600
www.larsoncamo.com

LARSON JOB #: 911891

ISE Incorporated
Structural Engineers
P.O. BOX 1099
Phoenix, Arizona 85001
PHO 624-6474
www.ise.com

ISE JOB #: 10704

PHO_ZUZU-VALLEYHO_2_SC
(SMALL CELL)

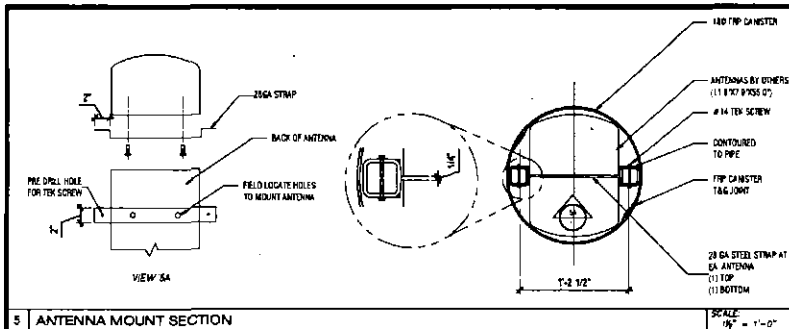
POLE DETAILS AND ANCHOR BOLT TEMPLATE

SCOTTSDALE RD & MAIN ST., Scottsdale, AZ 85251

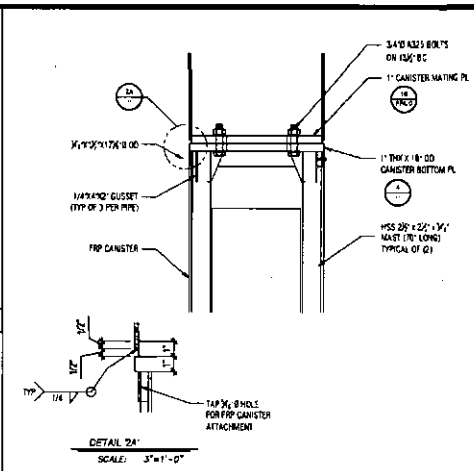
THIS DRAWING IS THE INTELLECTUAL PROPERTY OF LARSON CAMOUFLAGE LLC AND MAY NOT BE USED FOR FABRICATION WITHOUT THE EXPRESS WRITTEN CONSENT OF LARSON CAMOUFLAGE LLC

PROGRESS LOG	
4 (11/28/18)	Client Comments
5 (11/29/18)	Address Markers Added
6 (12/11/18)	Final Case Change
7 (12/19/18)	Final Drawing Change
8 (12/21/18)	Final Drawing Change
9 (1/29/19)	Address Plate Discovered Item

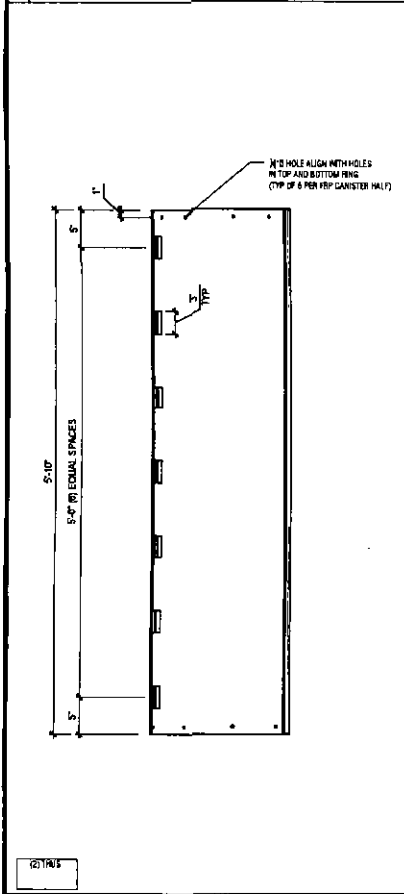
SHEET NUMBER: PF5.0
DRAWING DATE: November 28, 2018
PROGRESS: 6



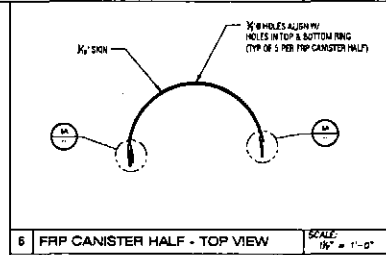
5 ANTENNA MOUNT SECTION SCALE: 1/8" = 1'-0"



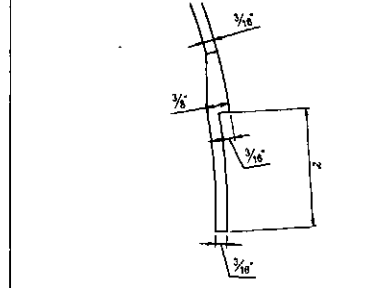
2 TOP OF CANISTER SECTION SCALE: 1/8" = 1'-0"



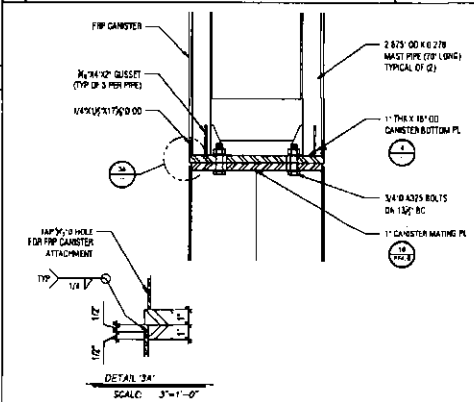
6 FRP CANISTER



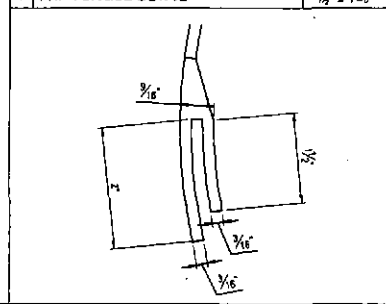
6 FRP CANISTER HALF - TOP VIEW SCALE: 1/8" = 1'-0"



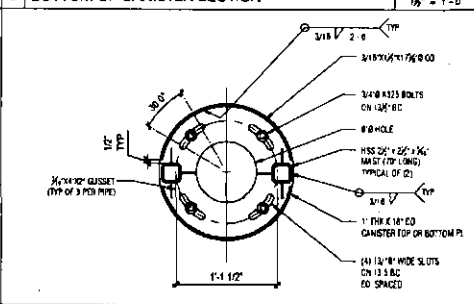
7 FRP TONGUE DETAIL SCALE: 1/8" = 1'-0"



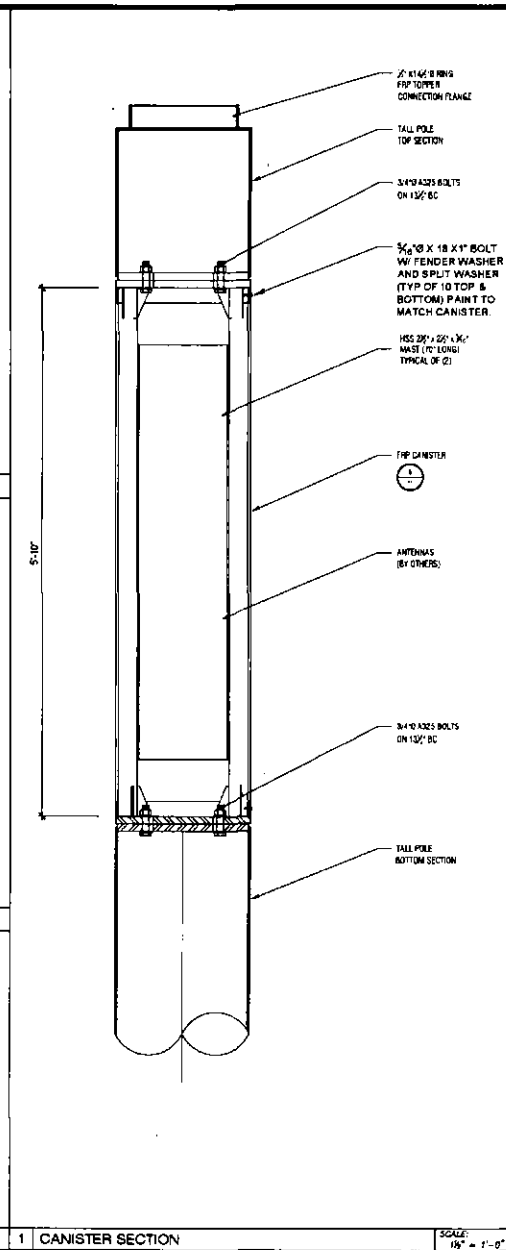
3 BOTTOM OF CANISTER SECTION SCALE: 1/8" = 1'-0"



8 FRP GROOVE DETAIL



4 CANISTER TOP OR BOTTOM FLANGE PL SCALE: 1/8" = 1'-0"



1 CANISTER SECTION SCALE: 1/8" = 1'-0"

verizon

LARSON CAMOUFLAGE
 1301 South Central Expressway
 Tucson, AZ 85713
 (520) 294-3900
 www.larsoncamo.com

LARSON JOB # 518091

ISE Incorporated
 Structural Engineers
 P.O. BOX 8888
 Phoenix, Arizona 85061
 PHONE (602) 998-1141
 www.iseinc.com

ISE JOB # 10700

PHO_ZUZU-VALLEYHO_2_SC (SMALL CELL)

CANISTER DETAILS

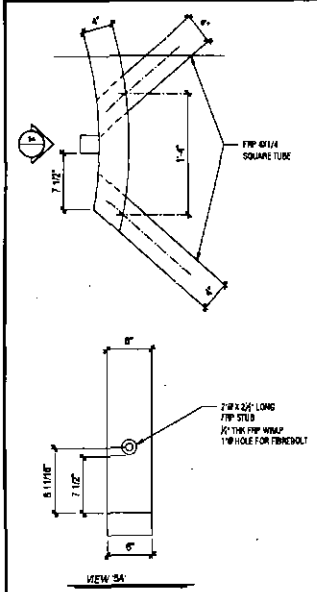
SCOTTSDALE RD & MAIN ST., Scottsdale, AZ 85261

THIS DRAWING IS THE INTELLECTUAL PROPERTY OF LARSON CAMOUFLAGE LLC AND MAY NOT BE USED FOR FABRICATION WITHOUT THE EXPRESS WRITTEN CONSENT OF LARSON CAMOUFLAGE LLC

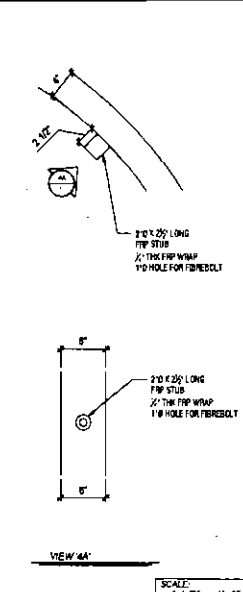
PROGRESS LOG		
11/28/20	Obtain Comments	MD
11/23/20	At Job Site with a Partner	MD
11/20/20	Final Design Change	MD
11/19/20	Final Design Change	MD
11/17/20	Final Design Change	MD
11/15/20	Final Design Change	MD
11/12/20	Final Design Change	MD

SHEET NUMBER	PROGRESS
PF6.0	6

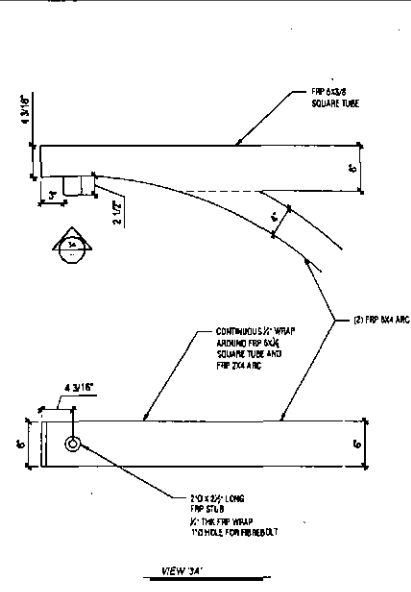
DRAWING DATE
 November 28, 2016



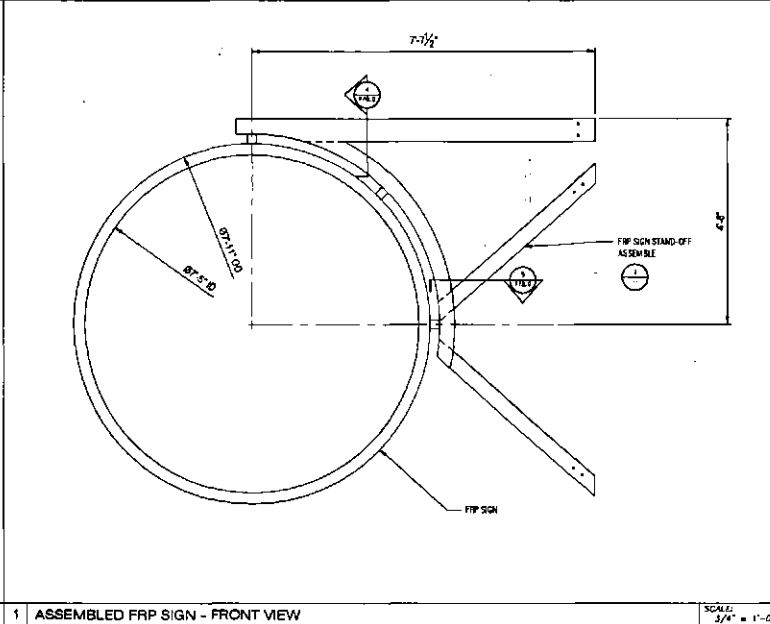
5 BOTTOM FRP STUB



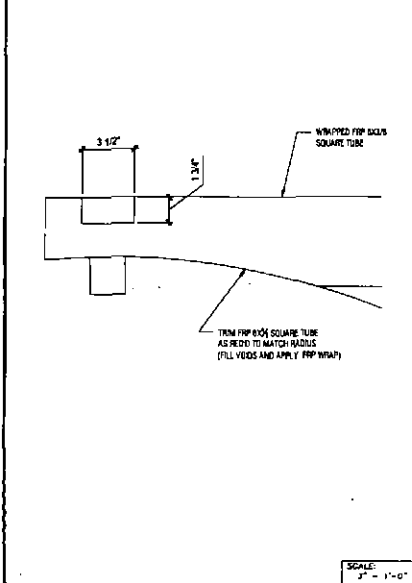
4 MIDDLE FRP STUB



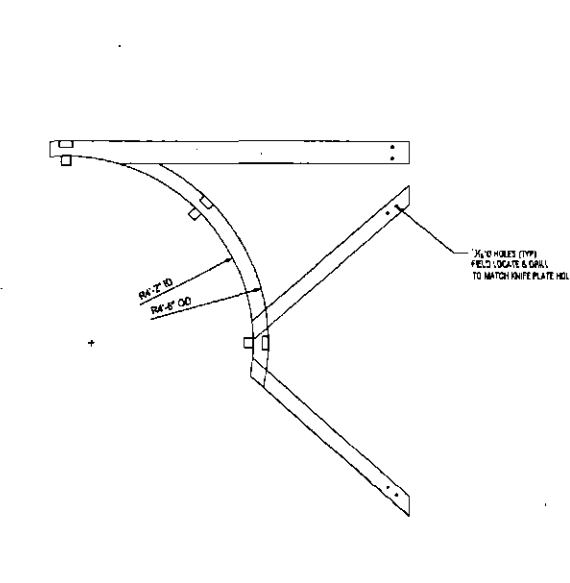
3 TOP FRP STUB



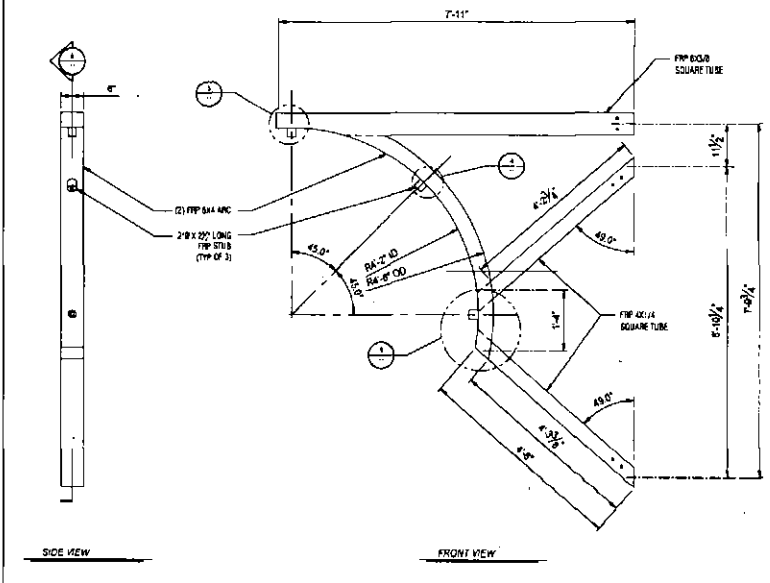
1 ASSEMBLED FRP SIGN - FRONT VIEW



6 TYPICAL COUNTER SUNK FIBREBOLT POCKET



6 SECTION THROUGH FRP SIGN STAND-OFF ASSEMBLY



2 FRP SIGN STAND-OFF ASSEMBLY

verizon

LARSON CAMOUFLAGE
 1501 South Lucie Avenue
 Tucson, AZ 85713
 (520) 224-2800
 www.larsoncamo.com

LARSON JOB #: S-1001

ISE Incorporated
 Structural Engineers

F.O. BOX 10977
 Phoenix, Arizona 85066
 P.O. BOX 10977
 PHOENIX, AZ 85066

ISE JOB #: 10704

PHO_ZUZU-VALLEYHO_2_SC
 (SMALL CELL)

FRP DETAILS

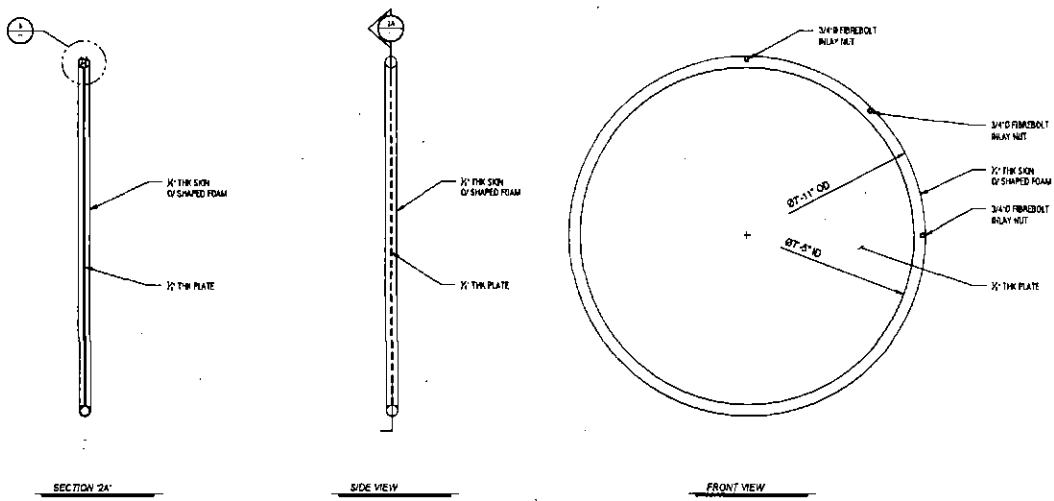
SCOTTSDALE RD & MAIN ST., Scottsdale, AZ 85251

THIS DRAWING IS THE INTELLECTUAL PROPERTY OF LARSON CAMOUFLAGE, LLC AND MAY NOT BE USED FOR FABRICATION WITHOUT THE EXPRESS WRITTEN CONSENT OF LARSON CAMOUFLAGE, LLC.

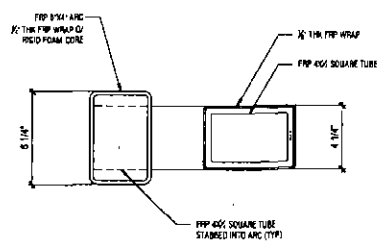
PROGRESS LOG	
4/11/24	Client Comments
5/13/24	Admin. Matters / Request
4/23/24	Field Cover Change
2/28/24	PHO Design Change
2/19/24	PHO Design Change
1/19/24	Admin. PHO Equipment Draw

SHEET NUMBER	PROGRESS
PF7.0	6

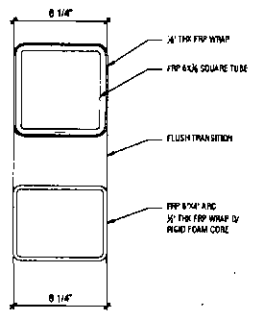
DRAWING DATE
 November 28, 2016



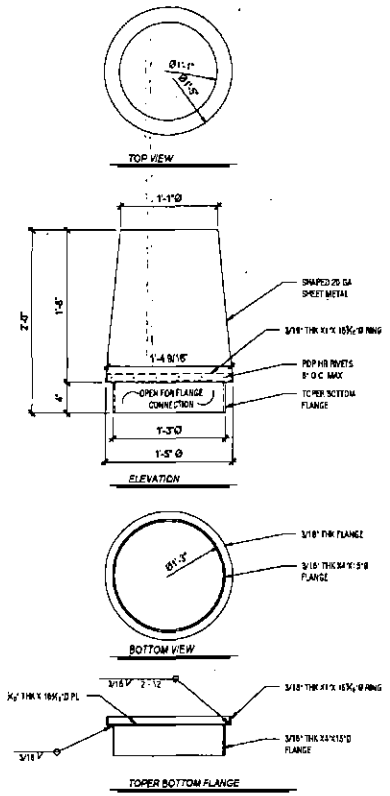
2 FRP SIGN SCALE: 3/4" = 1'-0"



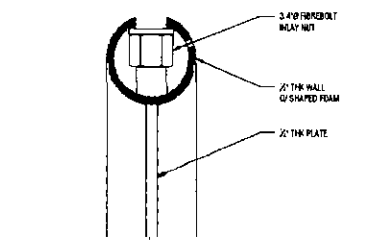
5 SECTION THROUGH FRP 4X4 SQUARE TUBE



4 SECTION THROUGH FRP 6X6 SQUARE TUBE



1 SHAPED 20 GA SHEET METAL TOPPER SCALE: 1/8" = 1'-0"



3 CONNECTION NUT INLAY SCALE: 1/2" = 1'-0"



LARSON CAMOUFLAGE
 1501 South Euclid Avenue
 Tucson, AZ 85713
 (520) 294-3900
 www.larsoncamo.com
 LARSON JOB # 5-10261



ISE Incorporated
 Structural Engineers
 P.O. BOX 10054
 Phoenix, Arizona 85010
 (602) 624-4444
 www.ise.com

PHO_ZUZU-VALLEYHO_2_SC
 (SMALL CELL)
 FRP SIGN DETAILS
 & METAL TOPPER
 SCOTTSDALE RD & MAIN ST., Scottsdale, AZ 85251

THIS DRAWING IS THE INTELLECTUAL PROPERTY OF LARSON CAMOUFLAGE LLC AND MAY NOT BE REPRODUCED OR FABRICATED WITHOUT THE EXPRESS WRITTEN CONSENT OF LARSON CAMOUFLAGE LLC.

PROGRESS LOG		
11/28/24	Client Comments	MC
11/28/24	Added Material Proposal	AD
6/22/24	Final Cost Change	AD
6/20/24	Final Details Change	AD
5/27/24	FRP Details Change	MC
1/22/24	Added Pole Equipment Item	AD

SHEET NUMBER	PROGRESS
PF8.0	6

DRAWING DATE
 November 28, 2016



July 15, 2016

RE: Verizon Wireless Small Cell Facility: Stealth Replacement City of Scottsdale Sign Pole/Right of Way in front of 3908 N. Scottsdale Road.

Dear Resident or Business Owner

Verizon Wireless is sending this letter for the purpose of providing notification/information to you concerning its Development Review application with the City of Scottsdale (Project No: 256-PA-2016) to be located within the Right-of-Way on the City of Scottsdale Stealth Replacement Sign Pole, located near 3908 N. Scottsdale Road. (Southwest corner of Main Street and Scottsdale Road).

The proposed small cell consists of (2) antennas and a small equipment mounted inside the replacement City of Scottsdale sign pole. **All antennas and equipment will be hidden from view inside the pole and the sign post will not change is size or color.** The sign will continue to function as normal.

Included with this letter is a copy of the site plan and photo simulation.

If you require more information or have questions, please contact Marck Sawyer at 480-550-2088 or email at marck.sawyer@smartlinkllc.com. I will be happy to answer any questions or provide additional materials. In addition you can contact Keith Niederer at the City of Scottsdale, (480) 312-2953 or email at kniederer@scottsdaleaz.gov.

Sincerely,

Marck Sawyer
Smartlink, LLC for Verizon Wireless

Enclosure:
Site Plan Overview
Photosim

ATTACHMENT #6



Citizen Review Report
Verizon Small Cell Proposal
PHO_ZUZU-VALLEYHO_2_SC
ROW (Southwest Corner of Scottsdale Road and Main Street)



Submitted By:
Marck Sawyer
Smartlink LLC
605 West Knox Road, Suite 210, Tempe, Arizona 85284
(480) 550-2088 /marck.sawyer@smartlinkllc.com
Monday, November 28, 2016

Verizon Small Cell Project
PHO_ZUZU-VALLEYHO_2_SC
ROW (Southwest Corner of Scottsdale Road and Main Street)

Description of the Site / Purpose of Modification:

This application is for placement of 2 small cell antennas and equipment to be located inside the 26'-9" Replacement City of Scottsdale sign post situated within the City of Scottsdale right of way on the southwest corner of Scottsdale Road and Main Street. The proposed small cell facility will handle the additional demand for wireless data and voice service for the surrounding area. Given the increasing amount of data traffic in the area associated with Downtown Scottsdale, the Arts District, existing businesses and tourist traffic, this proposed small cell would help alleviate pressure on the existing Verizon Wireless macro site.

Citizen Review Report/Visitation of Business Tenants

Smartlink LLC, on behalf of Verizon Wireless, visited, spoke with and delivered introduction letters and phot simulations and plans to the Old Town Merchants Association 20 businesses in and around the proposed facility on 8/8/16. Also, we met with the Old Town Merchants on 4 separate occasions for design approval specifically regarding the location of the power pedestal. The regular ownership notification was sent on 7/15/16 with no feedback negative or positive from the land owners.

The following tenants were contacted in person with an explanation of the project and given an information letter and photo simulation.

1. **Marilynn Atkinson-President Old Town Merchants Association**-Marilynn and Smartlink met on site, 4 different occasions to discuss the project. Each iteration of the proposal was introduced to Marilynn to present to the OTMA in the form of revised drawings. The OTMA is in favor of the project sans the final solution for the power meter.
2. **Blen Shipp-Owner-American Fine Art Gallery 3908 N. Scottsdale Road**. Spoke with the General Manager who was hesitant about the project due to its proximity to the gallery. Blen Shipp became involved after receiving our information and speaking with the City of Scottsdale. We met with Blen on site and he voiced concerns ultimately agreeing to the project if the power meter can be placed between the two poles and hidden as much as possible. Blen has been cooperative and we are keeping him up to date throughout the process.
3. **Jinger Richardson Owner-Legacy Gallery 7178 E. Main Street**. Spoke via phone with Jinger and she was happy that the site wasn't on the traffic signal pole in front of her gallery. She has no issues with the project and has been kept informed by Smartlink and Marilynn Atkinson.

4. Italian Grotto-3915 N. Scottsdale Road. Met Lori the GM and she has no issues with the site.
5. Gilbert Ortega-3925 N. Scottsdale Road. Spoke with owner Kim Ortega to discuss the project. Kim and her staff have no issues with the project.
6. Davids Hamburgers-7212 E. Main Street. Spoke with Patricia Flores. No issues and she indicated that upgrade in service for customers was appreciated.
7. AZ-Gallery-7212 E. Main Street. Met with Zaman and her daughter. No issues and they are in favor of the project.
8. Crazy Horse Jewlery-7232-7211 E. Main Street. Met with Kristin Traynor, passing along information to owner, has not issues.
9. Sunrise Gallery-7236 E. Main Street. Met and spoke with Robert Welsh, Owner. He has no issues with the project and mentioned that he owns 2 stores in old town.
10. Rock of Ages-7238 E. Main Street. Met with Jim Gale, Owner. We had a nice conversation. He and his wife indicated no problems with the site and complimented Verizon on making it "invisible"
11. Sun Valley Jewlery-7240 E. Main Street. Kim Ortega and the Ortega family also own this store. Kim has no objections.
12. Sabras-7254 E. Main Street. Store was busy, couldn't meet with GM but left packet. No negative response.
13. Bischoff's Shades of the West-7253 E. Main Street. Andrea greeted me and was very pleasant. No issues and she will pass package off to Bischoff's.
14. Rusty Spur Saloon-7245 E. Main Street. Spoke with GM Michele Biely and gave her a packet. The bar has no issues and welcomes additional coverage for customers.
15. Royal Palace Jewlery-7237 E. Main Street. . Kim Ortega and the Ortega family also own this store. Kim has no objections.
16. Native Traditions-7233 E. Main Street. Spoke with Sue Amireh, Owner and left packet She did not have any negative comments and was in agreement with the project.
17. Cactus Carlos-7229 E. Main Street. Sue Amireh is also the owner of this store and has not issues.
18. Chantelle's Collection-7223 E. Main Street. Sue Amireh is also the owner of this store and has not issues.
19. The Great Australian Bakery-7217 E. Main Street. Met Laurence Lindahl, owner and gave him a packet. He is in favor of the project.

20. Sunset Treasures-7217 E. Main Street. Sue Amireh is also the owner of this store and has not issues.

21. Ideal Collection-7010 E. Main Street. GM Mr. Schwann was in the store and indicated that he has no issues with the project. Left him a packet.

22. Four Winds-7213 E. Main Street. GM Mr. Schwann, same owner as ideal collection he indicated that he has no issues with the project

23. The Signature Gallery-7177 E. Main Street. Met Mr. Gillian, Owner. No issues with project, he was happy that signs were now going to be uniform.

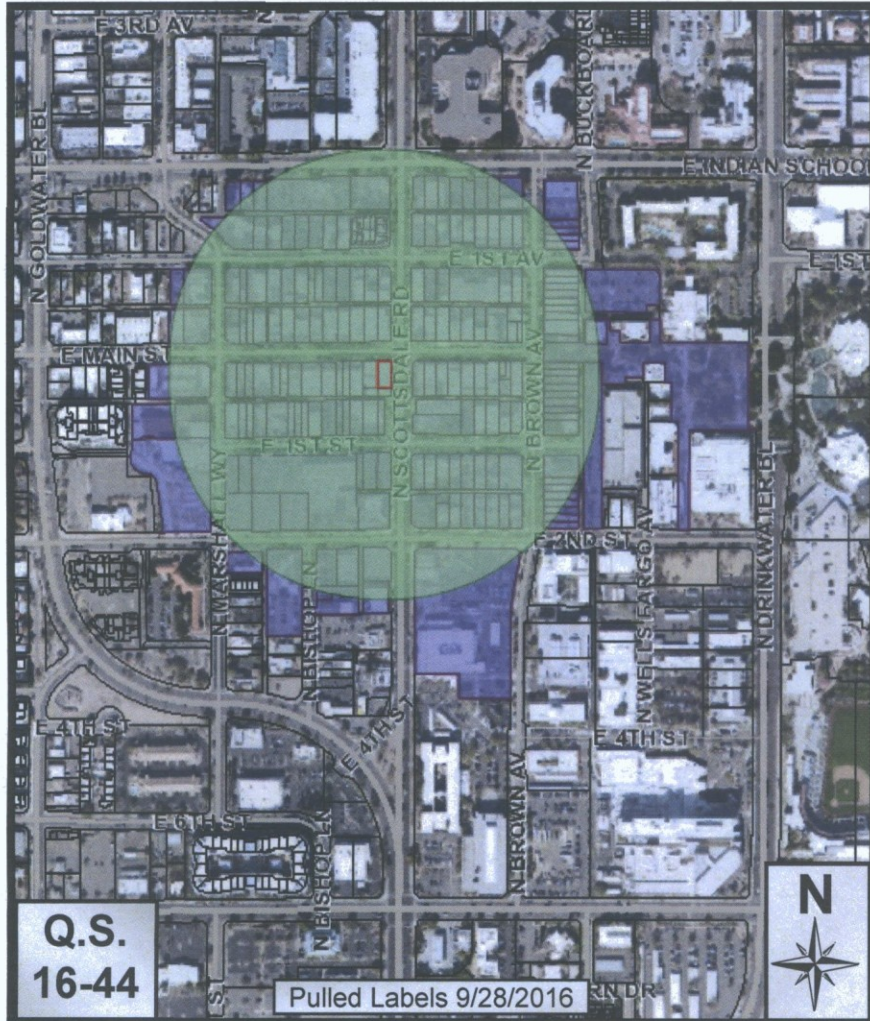
24. House of Anderson-3922 N. Scottsdale Road. Owner is FBCS, David Amblade to whom Verizon has another contract. Met with David previously about the site and he is in full agreement and approval.

25. Sugar Bowl-3935-4005 N. Scottsdale Road. Met with Ms. Huntress and gave a packet. Sugar Bowl has not issues and is in favor of greater coverage.


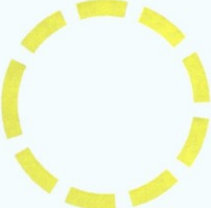
****More businesses were visited but were either closed or we only left a packet. I can revisit or report if needed****

City Notifications – Mailing List Selection Map

ATTACHMENT #7



Map Legend:

-  Site Boundary
-  Properties within 750-feet
- Postcards 130

Additional Notifications:

- Interested Parties List
- Adjacent HOA's
- P&Z E-Newsletter
- Facebook
- Twitter
- Nextdoor.com
- City Website-Projects in the hearing process

**Pho_Zuzu_Valleyho_2 Verizon
Wireless Small Cell**

44-DR-2016

Niederer, Keith

From: C.B. Shipp <blen@mac.com>
Sent: Wednesday, November 16, 2016 3:09 PM
To: Marck Sawyer
Cc: Cavalliere; Marilyn Ackinson; Niederer, Keith; Eric Kaneshiro; Stockwell, Brent; Smetana, Rachel
Subject: 3PM Nov 16 Verizon Small Cell Facility PHO_Zuzu-Valleyho_2 Main and Scottsdale Update

Thanks Marck.

Per your email below and our phone conversation earlier this afternoon,

- 1) December 15th seems like a reasonable hearing date, and
- 2) there's a chance that Larsen MAY be able to provide its additional details and specs (not construction drawings) with visuals on or before December 15th.

As we discussed, the merchants have an interest in as much detail as possible. So thanks for your patience, and thanks for your permission to cc your last email below with Scottsdale staff and merchants.

Best,

Blen

> On Nov 14, 2016, at 5:30 PM, Marck Sawyer <marck.sawyer@smartlinkllc.com> wrote:

>

> Hey Blen. Not sure what PDF update you are seeking. We need to move forward in zoning with these plans. The engineered Larsen specs won't arrive until later. The pedestal is as integrated as possible and we have a verbal from APS and Larsen that it will work. These are zoning drawings based on that approval. The construction drawings will have final spec details. This pedestal will be the most integrated and hidden in all of Scottsdale. Keith will set the hearing for December 15 and if you want additional changes, please feel free to let the city and us know that night. Respectfully, we must move forward with this project.

>

> Thanks much,

> MS

>

> Sent from my iPhone

>

> On Nov 14, 2016, at 5:04 PM, C.B. Shipp <blen@mac.com<mailto:blen@mac.com>> wrote:

>

> Great. Yeah " those call outs definitely contradict the details like the one on A-6.

>

> I look forward to seeing the revised details from Larsen.

>

> Per our discussion last week, in the interest of eliminating clutter on the corner, we're looking for a cosmetic integration of the pedestal that fits the surrounding environment.

>

> Thanks for keeping us in the loop. We'll keep an eye out for the PDF update.

ATTACHMENT #8

>
> Thanks Marck.
>
> Blen
>
> <PHO ZUZU-VALLEYHO 2 SC - DRB SUBMITTAL - 11-14-16.pdf>
>
> On Nov 14, 2016, at 1:25 PM, Marck Sawyer
<marck.sawyer@smartlinkllc.com<mailto:marck.sawyer@smartlinkllc.com>> wrote:
>
> Blen,
> Please see the new Meter Pedestal Callout note on pages A-1, A-2, A-4 & A-6. We do still need final revised details from Larsen (manufacturer) but the meter will be in-line. Seems to look a little meager on the drawings due to the angles but suffice to say it will be hidden as much as possible. Please let me know if you have any questions.
>
> Thanks,
>
> <image001.jpg>
>
> Marck Sawyer | Land Use Specialist, Phoenix Smartlink
> (m) 480-550-2088
> Email:
> marck.sawyer@smartlinkllc.com<mailto:marck.sawyer@smartlinkllc.com>
>
> Like Us on Facebook<<http://bit.ly/smartlink-facebook>>
> Follow Us on Twitter<<http://bit.ly/smartlink-twitter>>
> Connect with Us on LinkedIn<<http://bit.ly/smartlink-linkedin>>
>
> Proud Sponsor of the Chesapeake Bayhawks, 5-Time Major League Lacrosse
> Champions! www.thebayhawks.com<<http://bit.ly/thebayhawks>>
>
> This electronic mail (including any attachments) may contain information that is privileged, confidential, and/or otherwise protected from disclosure to anyone other than its intended recipient(s). Any dissemination or use of this electronic email or its contents (including any attachments) by persons other than the intended recipient(s) is strictly prohibited. If you have received this message in error, please notify us immediately by reply email that we may correct our internal records. Please then delete the original message (including any attachments) in its entirety. Thank you.
>
>
> From: C.B. Shipp [mailto:blen@mac.com]
> Sent: Monday, November 14, 2016 12:56 PM
> To: Marck Sawyer
> Subject: Re: Verizon Small Cell Facility PHO_Zuzu-Valleyho_2 Main and
> Scottsdale
>
> Thanks Marck
>
> On Nov 14, 2016, at 12:52 PM, Marck Sawyer
<marck.sawyer@smartlinkllc.com<mailto:marck.sawyer@smartlinkllc.com>> wrote:
>
> I will get with VZW A&E and flesh that out. Have them back to you
> ASAP
>

> From: "C.B. Shipp" <blen@mac.com<mailto:blen@mac.com>>
> Subject: Re: Verizon Small Cell Facility PHO_Zuzu-Valleyho_2 Main and
> Scottsdale
> Date: November 14, 2016 at 12:50:28 PM MST
> To: Marck Sawyer
> <marck.sawyer@smartlinkllc.com<mailto:marck.sawyer@smartlinkllc.com>>
> Cc: Keith Niederer
> <KNiederer@Scottsdaleaz.gov<mailto:KNiederer@Scottsdaleaz.gov>>,
> "Stockwell, Brent"
> <BStockwell@scottsdaleaz.gov<mailto:BStockwell@scottsdaleaz.gov>>,
> Rachel Smetana
> <RSmetana@scottsdaleaz.gov<mailto:RSmetana@scottsdaleaz.gov>>
>
> Got the attachment, Marck. Thanks.
>
> The pedestal detail is pretty meager. And a little confusing. Is the utility meter pedestal "in-line" with the sign poles?
> or "perpendicular"?
>
> Blen Shipp
>
> <PHO ZUZU-VALLEYHO 2 SC - DRB SUBMITTAL - 11-14-16.pdf>
>
>
> On Nov 14, 2016, at 12:24 PM, Marck Sawyer
> <marck.sawyer@smartlinkllc.com<mailto:marck.sawyer@smartlinkllc.com>> wrote:
>
> Hi Blen,
> Enclosed are the revised drawings for Verizon's stealth sign pole site at Main Street and Scottsdale Road. As discussed,
> Verizon added the meter in the middle of the two poles and camouflaged it paint to match and landscaping. Please let
> me know if you require and changes and feel free to distribute to any individuals you deem necessary.
>
> Thanks,
>
> <image003.jpg>
>
> Marck Sawyer | Land Use Specialist, Phoenix Smartlink
> (m) 480-550-2088
> Email:
> marck.sawyer@smartlinkllc.com<mailto:marck.sawyer@smartlinkllc.com>
>
> Like Us on Facebook<<http://bit.ly/smartlink-facebook>>
> Follow Us on Twitter<<http://bit.ly/smartlink-twitter>>
> Connect with Us on LinkedIn<<http://bit.ly/smartlink-linkedin>>
>
> Proud Sponsor of the Chesapeake Bayhawks, 5-Time Major League Lacrosse
> Champions!<www.thebayhawks.com><<http://bit.ly/thebayhawks>>
>
> This electronic mail (including any attachments) may contain information that is privileged, confidential, and/or
> otherwise protected from disclosure to anyone other than its intended recipient(s). Any dissemination or use of this
> electronic email or its contents (including any attachments) by persons other than the intended recipient(s) is strictly
> prohibited. If you have received this message in error, please notify us immediately by reply email that we may correct
> our internal records. Please then delete the original message (including any attachments) in its entirety. Thank you.

Niederer, Keith

From: Marilyn.A@cox.net
Sent: Monday, October 17, 2016 8:42 PM
To: 'Marck Sawyer'
Cc: Niederer, Keith; City Council; mayor.lane4scottsdale2016@gmail.com
Subject: FW: FW: VERZION CELL METER DRAFT

From: Marilyn.A@cox.net [mailto:Marilyn.A@cox.net]
Sent: Monday, October 17, 2016 8:34 PM
To: Marilyn.A@cox.net
Subject: FW: FW: VERZION CELL METER DRAFT

From: Guy Phillips [mailto:guyrphillips@gmail.com]
Subject: Re: FW: VERZION CELL METER DRAFT

To: Marck Sawyer at Verizon

Keith Niederer at City of Scottsdale

The Old Town Scottsdale Committer – Historic and the Old Town Scottsdale Merchants Association have had the opportunity to review your proposed plans. First, we would like to thank Marck for meeting with us to discuss this proposal. Placing the antenna inside the Old Town sign poll, along with rotating the sign to be on Scottsdale Road is an excellent idea. However, the cell meter box in the planter bed would not be acceptable.

Many years ago the property owners and city shared the cost to update the area with planter beds, benches, signs and lighting features. This may be an easy convenience location for the cell meters but certainly do not add to character of the area. At the present time there are cell meters on 2 of the 4 corners.

The northeast corner of Scottsdale Road/Main Street. The other is located on the northwest corner of Scottsdale Road/Main Street. They are ugly and stand out even if they were to have surrounding landscaping bushes. In addition, there is a cell meter at the southwest corner on Brown Avenue/1st Avenue. To top it all off the electrical boxes for the hospital are in front of the Parking Corral on Brown Avenue/Second Street.

We are therefore requesting these cell meters be placed in alleys or inside parking garages. At this time we are just being littered with devices located in pedestrian sightlines which detracts from Old Town and Main Street.

Sincerely,

Marilynn Atkinson President

Niederer, Keith

From: Dan Almblade <dalmblade@aol.com>
Sent: Wednesday, January 20, 2016 11:11 AM
To: marck.sawyer@smartlinkllc.com; Niederer, Keith
Cc: fcarlson34@yahoo.com; jbosic@fbcscottsdale.org; jregi@cox.net; canyonrider@mac.com; cddudley@cox.net; brad@legacygallery.com
Subject: Re: Verizon small cell towers in front of 3922 N Scottsdale Rd

Hi Marck,

We at FBCS still believe putting the cell towers and ground box on Main and Scottsdale crossroads is not in the best interest of our property and the look for downtown. I would assume the city is locating the equipment on the city easement and not on our property. We still believe the parking lot on 1st and Scottsdale would be a better location.

If memory serves me correctly.... The city has easement rights to portions of our frontage on Scottsdale Road but is limited in scope and use for the purposes of the original improvement district (a so called beautification program). The property was assessed over the next few years for the cost of this construction. Has the city read the limits of their use of this easement? Is placement of the cell towers and ground box within the scope and use for the beautification program?

We are all for making downtown Scottsdale a place to grow into the future. We think the city ought to consider another location other than the premier corner of Main and Scottsdale road.

Dan Almblade
Elder - Treasurer
First Baptist Church of Scottsdale
"a church plant of Scottsdale's founder.... *Winfield Scott*"

-----Original Message-----

From: Marck Sawyer <marck.sawyer@smartlinkllc.com>
To: Dan Almblade (dalmblade@aol.com) <dalmblade@aol.com>
Sent: Wed, Jan 20, 2016 8:38 am
Subject: RE: Verizon small cell towers in front of 3922 N Scottsdale Rd

Good Morning Dan,

Were you able to review my email sir and do you have any comments? I sincerely appreciate your time.



**Marck Sawyer | Land Use Specialist, Phoenix
Smartlink**

(m) 480-550-2088

Email: marck.sawyer@smartlinkllc.com

[Like Us on Facebook](#)

[Follow Us on Twitter](#)

[Connect with Us on LinkedIn](#)

Proud Sponsor of the Chesapeake Bayhawks, 5-Time Major League Lacrosse Champions! www.thebayhawks.com

This electronic mail (including any attachments) may contain information that is privileged, confidential, and/or otherwise protected from disclosure to anyone other than its intended recipient(s). Any dissemination or use of this electronic email or its contents (including any attachments) by persons other than the intended recipient(s) is strictly prohibited. If you have received this message in error, please notify us immediately by reply email that we may correct our internal records. Please then delete the original message (including any attachments) in its entirety. Thank you.

From: Marck Sawyer
Sent: Friday, January 08, 2016 2:32 PM
To: Dan Almblade (dalmblade@aol.com)
Cc: 'cddudley@cox.net'; 'frcarlson34@yahoo.com'; 'brad@legacygallery.com'; 'canyonrider@mac.com'
Subject: FW: Verizon small cell towers in front of 3922 N Scottsdale Rd

With plans attached

From: Marck Sawyer
Sent: Friday, January 08, 2016 2:30 PM
To: 'Dan Almblade'
Cc: 'cddudley@cox.net'; 'frcarlson34@yahoo.com'; 'brad@legacygallery.com'; 'canyonrider@mac.com'
Subject: RE: Verizon small cell towers in front of 3922 N Scottsdale Rd

Hi Dan,

Thank you for your comments, nice to work with you again.

Verizon is very conscious of aesthetics and chose this location in part due to its ability to blend its install with the surrounding area while meeting coverage objectives. As the attached drawings reflect, currently at the corner of Main/Scottsdale Road, there exists two traffic signal lights, a standalone light standard, utility boxes, trash bins, and etc. on the ground. By utilizing this existing back drop, Verizon is able to blend its antennas on the pole with the surrounding area. The current number of poles will remain unchanged from existing and Verizon's antennas will be placed to meld with the existing traffic lights and light standard.

Wireless installs are located though out Scottsdale, with most being the larger macro site variety. In conjunction with the wireless carriers, the City of Scottsdale has been able to balance out the need for advanced technologies with aesthetics. In this case a substantially smaller "Small Cell" is being proposed to minimize impact to the surrounding area. Verizon's site is unmanned with a Verizon technician normally visiting the site once a month for an hour or so. While there will be additional vehicles during the physical construction of the site (will take several weeks), on an ongoing basis the taking of additional parking stalls will not be significant.

Verizon's Small Cell install will not change the ambiance of the area. In fact the area vibrancy is enhanced by advanced wireless services, with tourist & locals alike taking photos, streaming video's, and etc. The experience of Old Scottsdale is only enhanced with improved wireless service which benefits everyone.

We truly appreciate your input on and we can meet further to discuss. Please advise

Sincerely,



Marck Sawyer | Land Use Specialist, Phoenix

Smartlink

(m) 480-550-2088

Email: marck.sawyer@smartlinkllc.com

[Like Us on Facebook](#)
[Follow Us on Twitter](#)
[Connect with Us on LinkedIn](#)

Proud Sponsor of the Chesapeake Bayhawks, 5-Time Major League Lacrosse Champions! www.thebayhawks.com

This electronic mail (including any attachments) may contain information that is privileged, confidential, and/or otherwise protected from disclosure to anyone other than its intended recipient(s). Any dissemination or use of this electronic email or its contents (including any attachments) by persons other than the intended recipient(s) is strictly prohibited. If you have received this message in error, please notify us immediately by reply email that we may correct our internal records. Please then delete the original message (including any attachments) in its entirety. Thank you.

From: Dan Almlade [<mailto:dalmlade@aol.com>]
Sent: Monday, January 04, 2016 4:41 PM
To: Marck Sawyer; kniederer@scottsdaleaz.gov
Cc: cddudley@cox.net; fcarlson34@yahoo.com; brad@legacygallery.com; canyonrider@mac.com
Subject: Verizon small cell towers in front of 3922 N Scottsdale Rd

Keith and Marck,

I guess my question is why would the city allow towers and cabinet on the most prime corner in downtown Scottsdale? Putting the towers on Main and Scottsdale road will take away from downtowns' most premier intersection. Plus the utility cabinet will make noise, will become an eye sore once it is tagged by graffiti and tape from posters. Also, since the cabinet is front of our property the Verizon workers will be taking parking spaces out front in big trucks while providing maintenance. If the upstairs were converted into lofts who wants to look out the window and see a cell tower a few feet away. Lets keep this corner clean and a gathering point for tourists.

Placement of the towers and utility cabinet will decrease the value of property owned by First Baptist Church of Scottsdale... of which the tenant Legacy Gallery shows one of the finest western art collection in the southwest. There is nothing artistic about the cabinet or tower.

I believe placement of the cell tower on this corner is a bad choice for FBCS and Scottsdale. Looking at the map, better placement may be 1 block south at First Street and Scottsdale road where two of the 4 corners are a parking lot.

Dan Almlade
Elder - Treasurer
First Baptist Church of Scottsdale
treasurer@fbcscottsdale.org
cell: 480-650-0962