



**Wall mount**  
LytePro  
LPW7 small wall sconce

Stonco LytePro LED small wall sconce LPW7 features outstanding value in a compact, architectural design, and combines energy savings with good photometric performance. LPW7 is ideal for entryways, corridors, facade and other wall/surface lighting applications.

Project: \_\_\_\_\_  
Location: \_\_\_\_\_  
Cat.No: **LPW7-10-WW-G3-2-UNV**  
Type: **WC** Qty: \_\_\_\_\_  
Lamps: \_\_\_\_\_  
Notes: \_\_\_\_\_

**Ordering guide** Example: LPW7-10-NW-G3-2-120-PCB-BZ

Prefix	Wattage	LED Color/Gen	Distribution	Voltage	Options	Photocontrol	Location	Finish
<b>LPW7</b>	<b>10</b>	<b>10W</b>	<b>2</b>	<b>120</b>	None	BAC <sup>2</sup>	Meets the requirements of the Buy American Act of 1933 (BAA)	<b>Black</b>
LytePro 7 LED small wall sconce	10W	NW-G3 Neutral White 4000K 70 CRI Generation 3	Type 2	120V 208V 240V 277V UNV 120-277V (50/60Hz)	PCB Photocontrol Button <sup>1</sup>			BK Black WH White BZ Bronze DGY Dark Gray MGY Medium Gray
<b>Customer specified</b>								
RAL	Specify optional color or RAL (ex: OC-LGP or OC-RAL7024)							
CC	Custom color (Must supply color chip for required factory quote)							

**Stocked luminaires - Ordering guide**

Catalog Number	Description	Master Pack Qty	UPC Code
<b>LPW7-G3-B-BZ</b>	LPW7, 250mA, 4000K, 120-277V, Bronze textured paint	6	622252813858
<b>LPW7-G3-B-DGY</b>	LPW7, 250mA, 4000K, 120-277V, Dark gray textured paint	6	622252813841

**Stocked accessories - Ordering guide (Must be ordered separately)\***

Catalog Number	Description	Master Pack Qty	UPC Code
<b>LPWCVRPLT-BZ<sup>1</sup></b>	LPW Universal wall cover mounting plate, Bronze textured paint	(none)	190096144860

\* Must specify voltage.  
<sup>1</sup> Other colors available upon request as made-to-order.  
<sup>2</sup> Failure to properly select the "BAC" suffix could result in you receiving product that is not BAA compliant product with no recourse for an RMA or refund. This BAC designation hereunder does not address (i) the applicability of, or availability of a waiver under, the Trade Agreements Act, or (ii) the "Buy America" domestic content requirements imposed on states, localities, and other non-federal entities as a condition of receiving funds administered by the Department of Transportation or other federal agencies.  
<sup>3</sup> Consult Signify to confirm whether specific accessories are BAA-compliant.

LPW7\_LytePro\_sconce 04/21 page 1 of 3

**Wall mount**  
LytePro  
LPW32 large wall sconce

Stonco LytePro LED large wall sconce LPW32 features outstanding value in a compact, architectural design. This powerful and precise combination offers outstanding energy savings with excellent photometric performance. LPW32 is ideal for building perimeters and corridors in addition to wall lighting applications requiring strong lateral spacing and forward pattern projection.

Project: \_\_\_\_\_  
Location: \_\_\_\_\_  
Cat.No: **LPW32-60-WW-G3-4-UNV**  
Type: **WAA** Qty: \_\_\_\_\_  
Lamps: \_\_\_\_\_  
Notes: \_\_\_\_\_

**Ordering guide** Example: LPW32-70-NW-G3-3-120-PCB-BZ

Prefix	Wattage	LED Color/Gen	Distribution	Emergency	Voltage	Options	Photocontrol	Location	Finish
<b>LPW32</b>	<b>70</b>	<b>70W</b>	<b>3</b>	None	<b>120</b>	None	BAC <sup>2</sup>	Meets the requirements of the Buy American Act of 1933 (BAA)	<b>Black</b>
LytePro 32 LED Large Wall Sconce	70W 90W 90 90W 90 90W 90	NW-G3 Neutral White 4000K 70 CRI Generation 3	Type 3	EBP Emergency Battery Pack <sup>1,2</sup>	120V 208V 240V 277V 347V 480V 480 480V UNV 120-277V (50/60Hz) HVU 347-480V (50/60Hz)	PCB Photocontrol Button <sup>1,3</sup>			BK Black WH White BZ Bronze DGY Dark Gray MGY Medium Gray
<b>Customer specified</b>									
RAL	Specify optional color or RAL (ex: OC-LGP or OC-RAL7024)								
CC	Custom color (Must supply color chip for required factory quote)								

**Stocked luminaires - Ordering guide**

Catalog Number	Description	Master Pack Qty	UPC Code
<b>LPW32-G3-B-DGY</b>	LPW32, 70W, 650mA, 4000K, Type 3, 120-277V, Dark gray textured paint	3	622252813889
<b>LPW32-G3-B-BZ</b>	LPW32, 70W, 650mA, 4000K, Type 3, 120-277V, Bronze textured paint	3	622252813896

**Stocked accessories - Ordering guide (Must be ordered separately)\***

Catalog Number	Description	Master Pack Qty	UPC Code
<b>LPWCVRPLT-BZ<sup>1</sup></b>	LPW Universal wall cover mounting plate, Bronze textured paint	(none)	190096144860

\* Emergency battery backup (EBP) available with 50W configuration only.  
<sup>1</sup> Not available in 347 or 480V.  
<sup>2</sup> Not available with BL, FAWs or PCB.  
<sup>3</sup> Not available with other control options.  
<sup>4</sup> Available only with BL dimming option.  
<sup>5</sup> Must specify voltage.  
 Other colors available upon request as made-to-order.

\* Failure to properly select the "BAC" suffix could result in you receiving product that is not BAA compliant product with no recourse for an RMA or refund. This BAC designation hereunder does not address (i) the applicability of, or availability of a waiver under, the Trade Agreements Act, or (ii) the "Buy America" domestic content requirements imposed on states, localities, and other non-federal entities as a condition of receiving funds administered by the Department of Transportation or other federal agencies.  
 Consult Signify to confirm whether specific accessories are BAA-compliant.

LPW32\_LytePro\_sconce 04/21 page 1 of 3

FILE: W:\2021-100 DMCS\2021-158 - Cavasson Residences\ELEC\2021-158-EI\_3-EI\_4.dwg USER: fry DATE: Jun, 15, 2021 TIME: 05:30 pm

**GRAYHAWK RESIDENCES AT CAVASSON**  
7701 E. LEGACY BOULEVARD SCOTTSDALE, AZ 85255

Office of Rich Barber  
**ORB**  
Architecture, LLC  
WorldHQ@ORBArch.com

**IND ENGINEERING INC.**  
 4115 N. 15TH AVE.  
 PHOENIX, AZ 85015  
 (602) 265-1558  
 PROJECT NO. 2020-158

---

**REVISIONS**

No.	Description

---

**DRB SUBMITTAL**

DATE: JUNE 16, 2021     ORB # 20-204

**E1.4**

**ELECTRICAL SITE LIGHTING CUT-SHEETS**

---

LPW16\_LytePro\_sconce 06/19 page 1 of 3

**Wall mount**  
LytePro  
LPW16 medium wall sconce

Stonco LytePro LED medium wall sconce LPW16 features outstanding value in a compact, architectural design. This powerful and precise combination offers outstanding energy savings with excellent photometric performance. LPW16 is ideal for entryways and corridors in addition to wall lighting applications requiring strong lateral spacing and forward pattern projection.

Project: \_\_\_\_\_  
Location: \_\_\_\_\_  
Cat.No: **LPW16-50-WW-G3-4**  
Type: **WAB** Qty: \_\_\_\_\_  
Lamps: \_\_\_\_\_  
Notes: \_\_\_\_\_

**Ordering guide** Example: LPW16-20-NW-G3-3-120-PCB-BZ

Prefix	Wattage	LED Color/Gen	Distribution	Voltage	Options	Photocontrol	Finish
<b>LPW16</b>	<b>20</b>	<b>20W</b>	<b>3</b>	<b>120</b>	None	PCB	<b>Black</b>
LytePro 16 LED medium wall sconce	20W 30W 30 30W 30 30W 30	NW-G3 Neutral White 4000K 70 CRI Generation 3	Type 3	120V 208V 240V 277V 347V 480V UNV 120-277V (50/60Hz) HVU 347-480V (50/60Hz)	None	PCB Photocontrol Button <sup>1</sup>	BK Black WH White BZ Bronze DGY Dark Gray MGY Medium Gray
<b>Customer specified</b>							
RAL	Specify optional color or RAL (ex: OC-LGP or OC-RAL7024)						
CC	Custom color (Must supply color chip for required factory quote)						

**Stocked luminaires - Ordering guide**

Catalog Number	Description	Master Pack Qty	UPC Code
<b>LPW16-G3-B-BZ</b>	LPW16, 30W, 650mA, 4000K, Type 3, 120-277V, Bronze textured paint	6	622252813872
<b>LPW16-G3-B-DGY</b>	LPW16, 30W, 650mA, 4000K, Type 3, 120-277V, Dark gray textured paint	6	622252813865

**Stocked accessories - Ordering guide (Must be ordered separately)\***

Catalog Number	Description	Master Pack Qty	UPC Code
<b>LPWCVRPLT-BZ<sup>1</sup></b>	LPW Universal wall cover mounting plate, Bronze textured paint	(none)	190096144860

\* Must specify voltage. Not available in 347V or 480V.  
<sup>1</sup> Other colors available upon request as made-to-order.

LPW16\_LytePro\_sconce 06/19 page 1 of 3

**Site & Area**  
PureForm  
LED bollard

**TYPE BO**

Gardco PureForm LED bollard PBL integrates a sleek, low profile design, extraordinary light output, and energy savings into an innovative pedestrian scale luminaire. PureForm bollard features a high performance optical system designed to achieve wide spacings and full cutoff performance. Three heights available for a customized look. IP66 optics ensure dust or moisture will never interfere with performance.

Project: \_\_\_\_\_  
Location: \_\_\_\_\_  
Cat.No: \_\_\_\_\_  
Type: \_\_\_\_\_  
Lamps: \_\_\_\_\_ Qty: \_\_\_\_\_  
Notes: \_\_\_\_\_

**Ordering guide** example: PBL-42-14L-450-NW-G2-5-UNV

Prefix	Shaft Height	Number of LEDs	Drive Current	LED Color - Generation	Distribution	Emergency	Voltage
<b>PBL</b>	<b>PureForm</b>	<b>36</b>	<b>100mA</b>	<b>NW-G2</b>	<b>Type 3</b>	None	120 120V
PureForm bollard	Standard Shaft: 36", 42"	36	100mA	Warm White 3000K, 70 CRI Generation 2	Type 3	EBP Emergency battery pack <sup>1,2</sup>	120V 208V 240V 277V 347V 480 480V UNV 120-277V (50/60Hz)
<b>Customer specified</b>							
RAL	Specify optional color or RAL (ex: OC-LGP or OC-RAL7024)						
CC	Custom color (Must supply color chip for required factory quote)						

**Options**

Dimming controls	Motion sensing	Photo-sensing	Electrical	Finish
DD 0-10V External dimming (by others) <sup>1,2</sup> FAW5 Field Adjustable <sup>3,4</sup> DW Interface module for SiteWise <sup>3,4,5</sup> LLC Wireless controls without PIR sensor <sup>3,4</sup> BL Bi-level functionality with motion sensor <sup>1,2</sup>	IMRI Integral Infrared <sup>1,2</sup>	PCB Photocontrol Button <sup>1,3</sup>	Fusing F1 Single (120, 277, 347VAC) <sup>1</sup> F2 Double (208, 240, 480VAC) <sup>1</sup> F3 Canadian Double Pole (208, 240, 480VAC) <sup>1</sup>	Textured BK Black WH White BZ Bronze DGY Dark Gray MGY Medium Gray

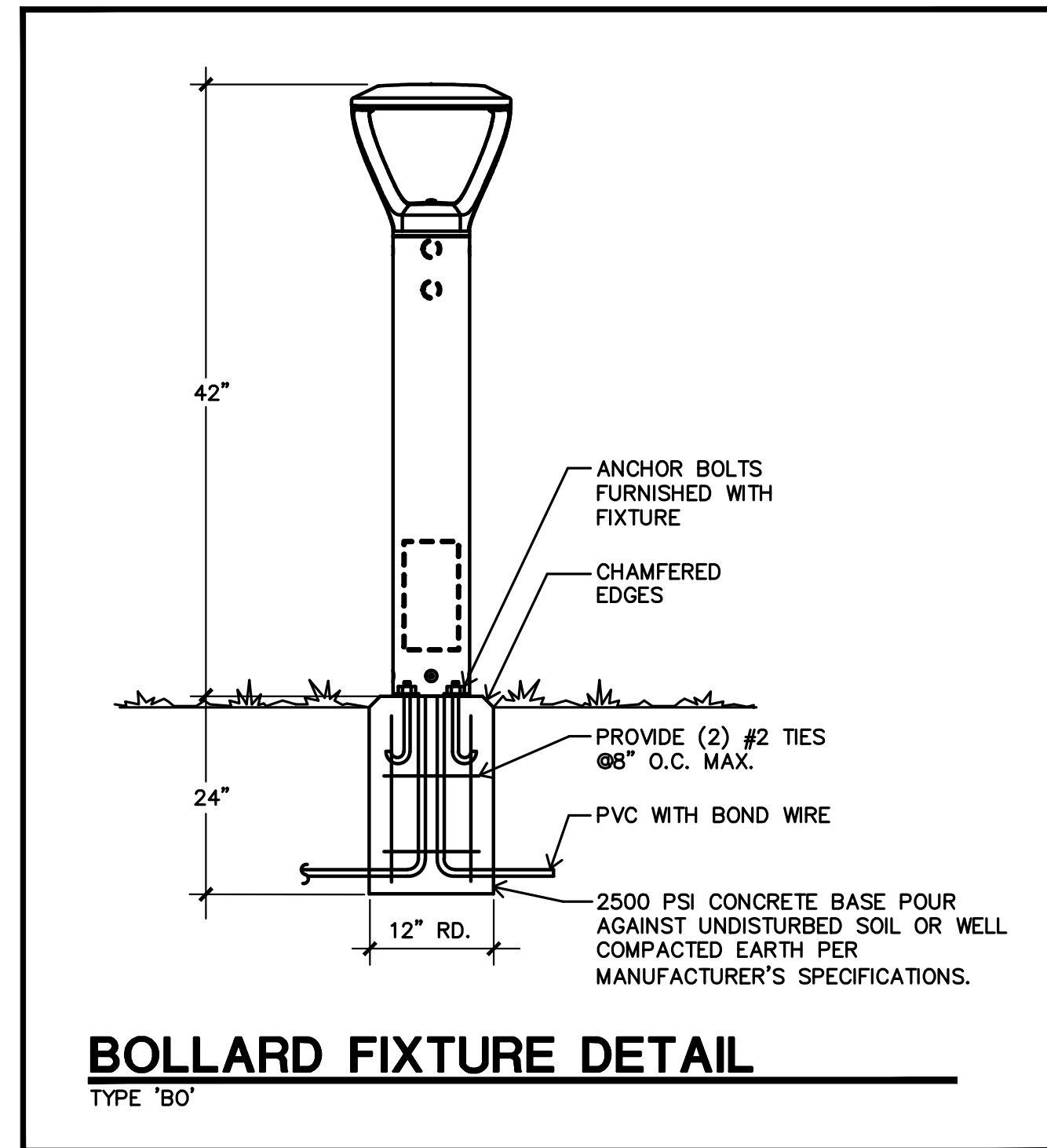
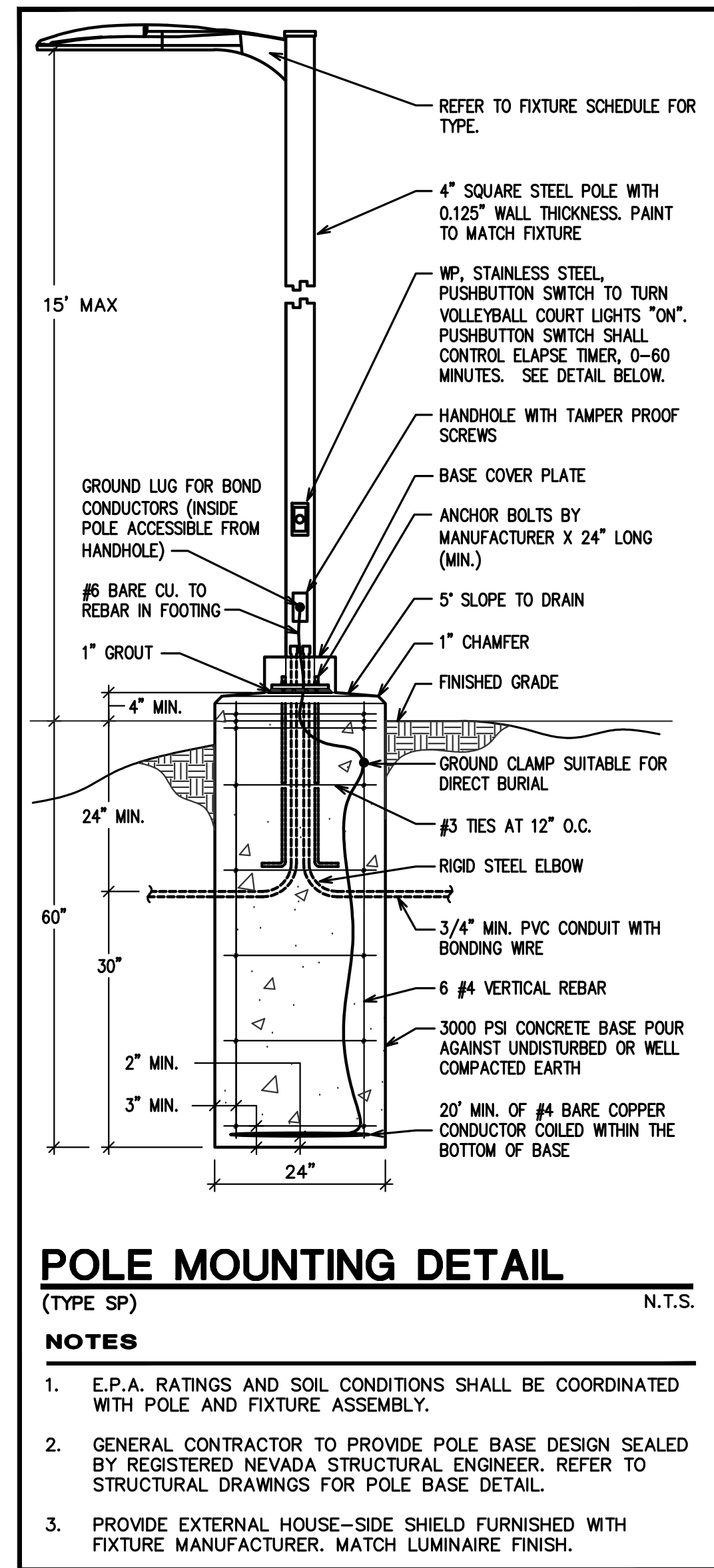
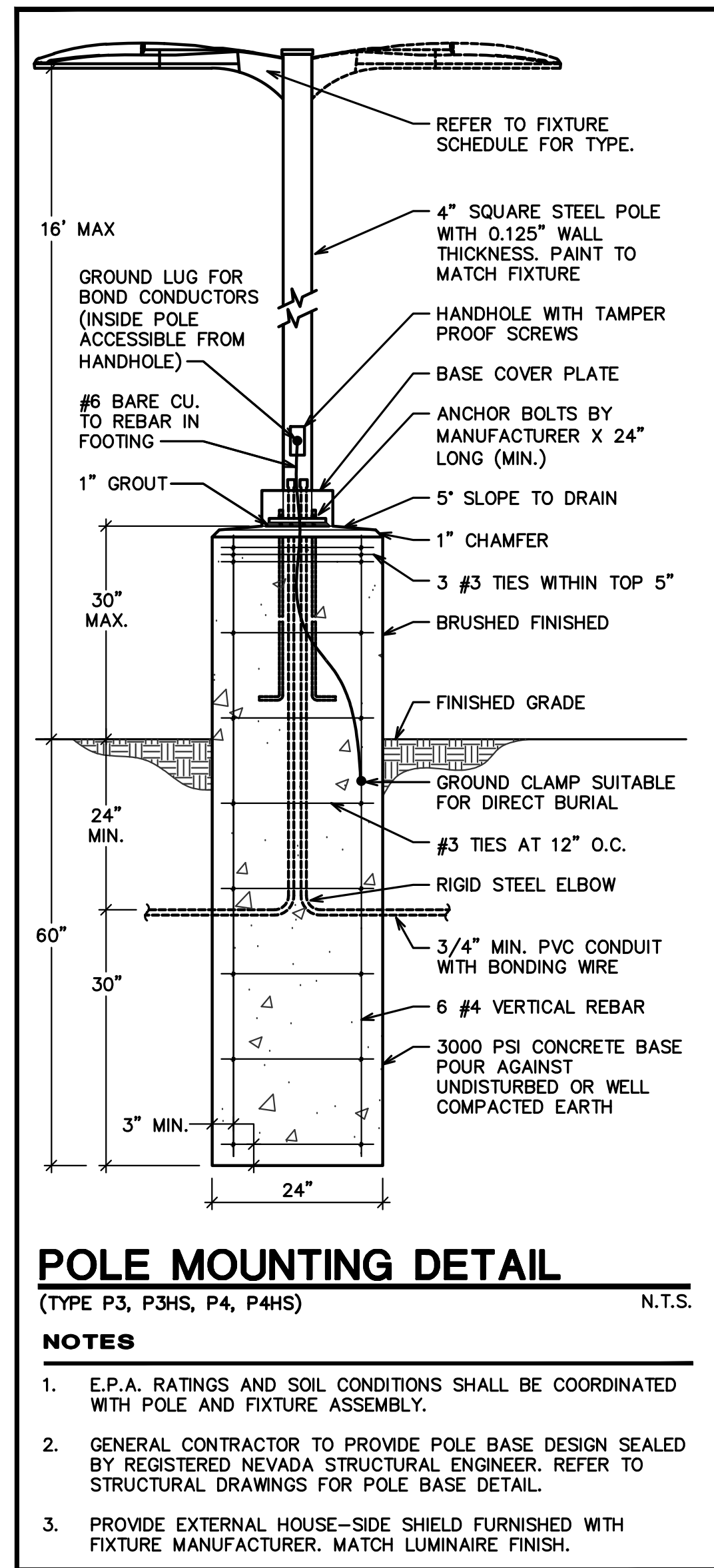
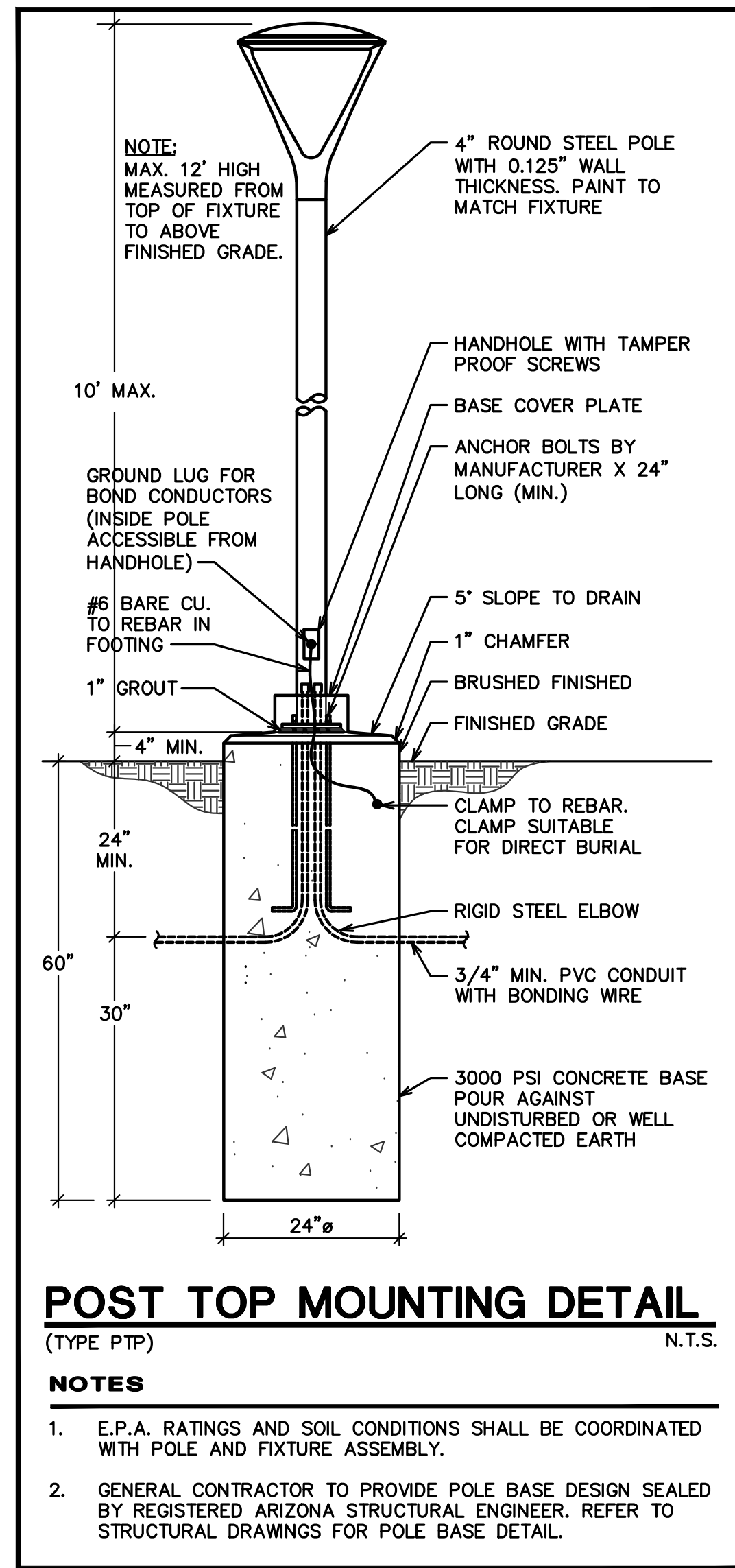
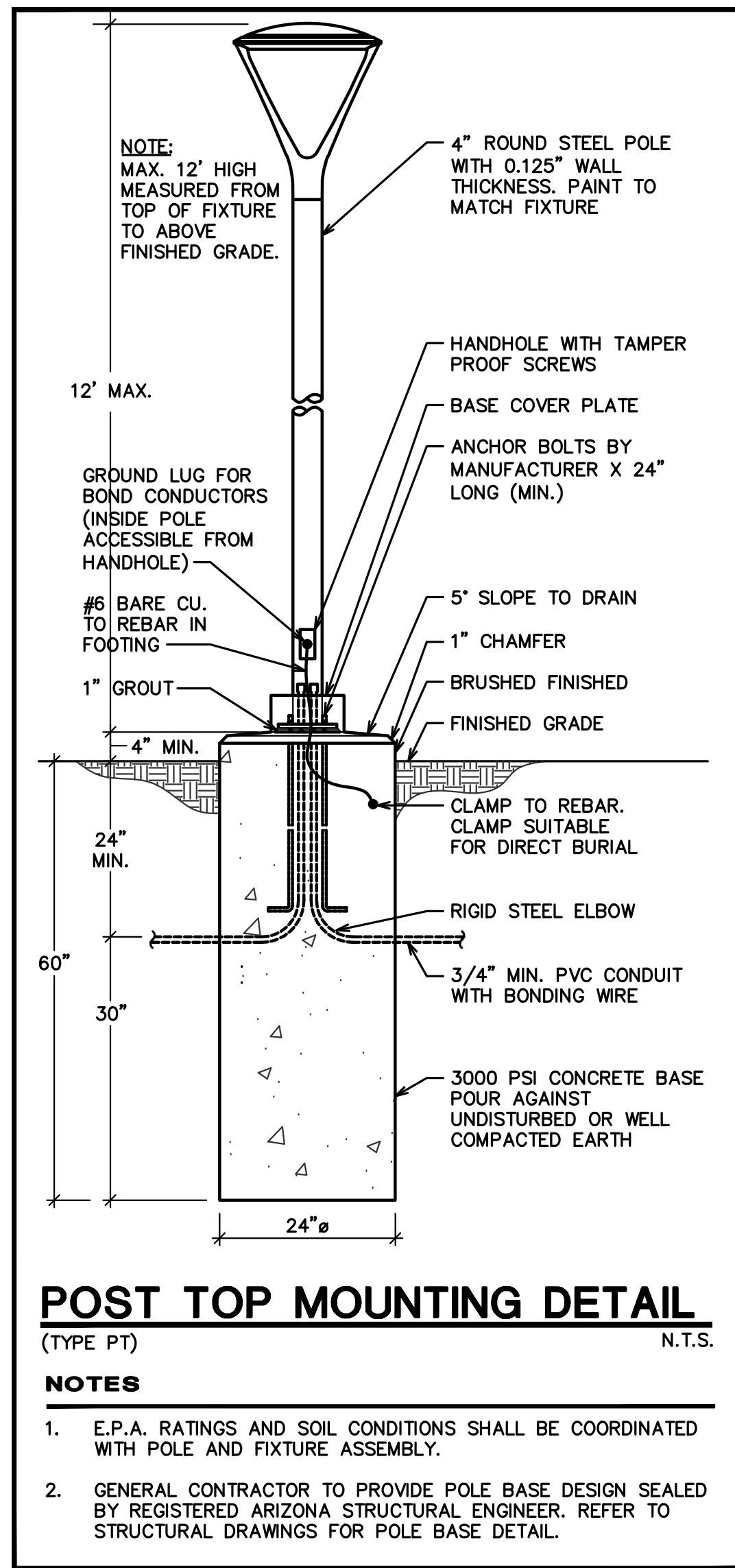
**Dynamic Dimmer: Automatic Profile Dimming<sup>1,3</sup>**  
 CS50 Security 50% Dimming, 7 hours  
 CM50 Median 50% Dimming, 8 hours  
 CS30 Security 30% Dimming, 7 hours  
 CM30 Median 30% Dimming, 8 hours

**Surge Protection (CSLA standard):**  
 SP2 Increased 20kA  
 GFCI Ground Fault Interrupt Outlet<sup>1,2</sup>

1. Extended lead times apply. Contact factory for details.  
 2. Not available with photocontrol.  
 3. Available in 120V or 277V only.  
 4. Not available with other control options.  
 5. Not available with motion sensor.  
 6. Not available with photocontrol.  
 7. Available only with BL dimming control.  
 8. Not available with SW, LLC, and CC/CM.  
 9. Not specific input voltage.  
 10. Available in 120V only.  
 11. Not available in 347 or 480V.  
 12. Not available in 100, 200, and 1000mA.  
 13. Not available with SW or LLC.

PBL\_PureForm\_bollard 05/20 page 1 of 5

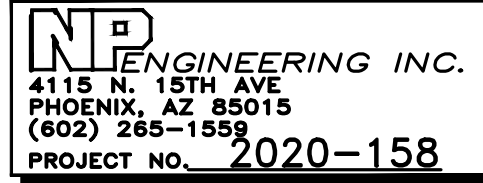
24-DR-2021  
6/23/2021



**GRAYHAWK RESIDENCES  
AT CAVASSON**  
7701 E. LEGACY BOULEVARD  
SCOTTSDALE, AZ 85255



WorldHQ@ORBArch.com



**REVISIONS**


**DRB SUBMITTAL**

DATE: JUNE 16, 2021 ORB # 20-204

**E1.5**

ELECTRICAL SITE  
LIGHTING DETAILS