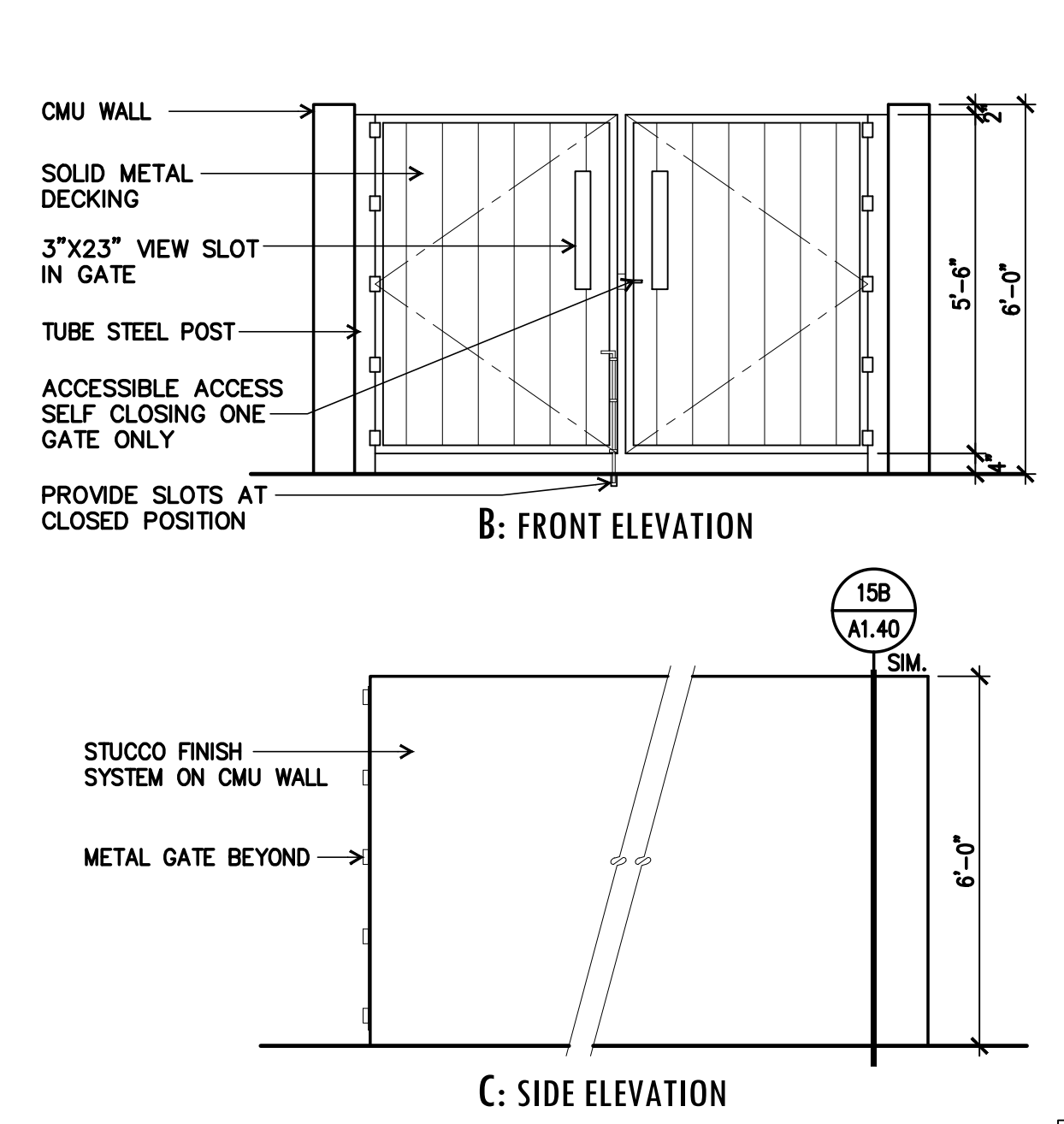


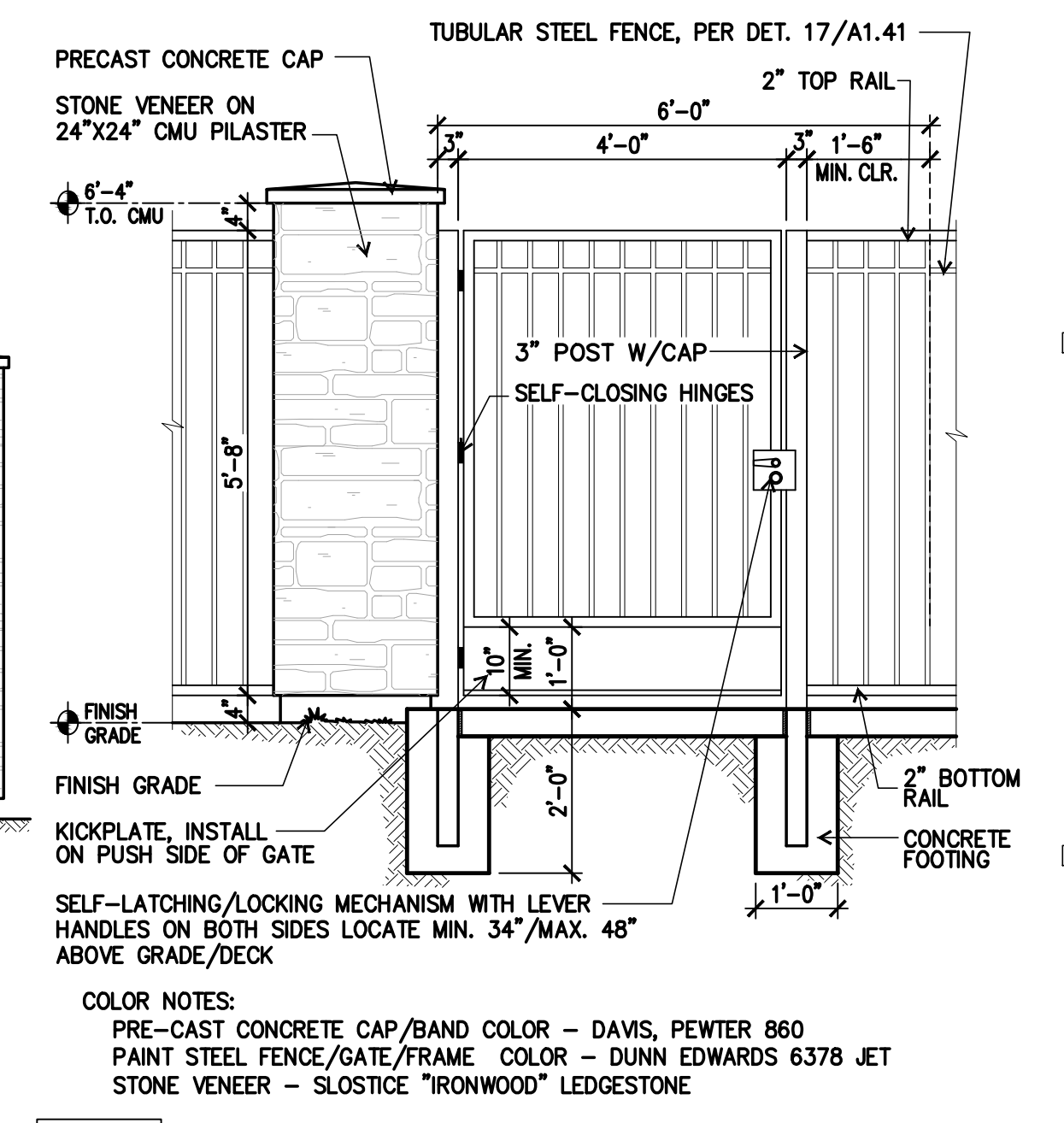
COLOR NOTES:  
PAINT STEEL FRAME & GATE COLOR - DUNN EDWARDS 6378 JET  
STUCCO FINISH COLOR - DUNN EDWARDS DE213 "FINE GRAIN"

28 TRASH HOLDING AREA



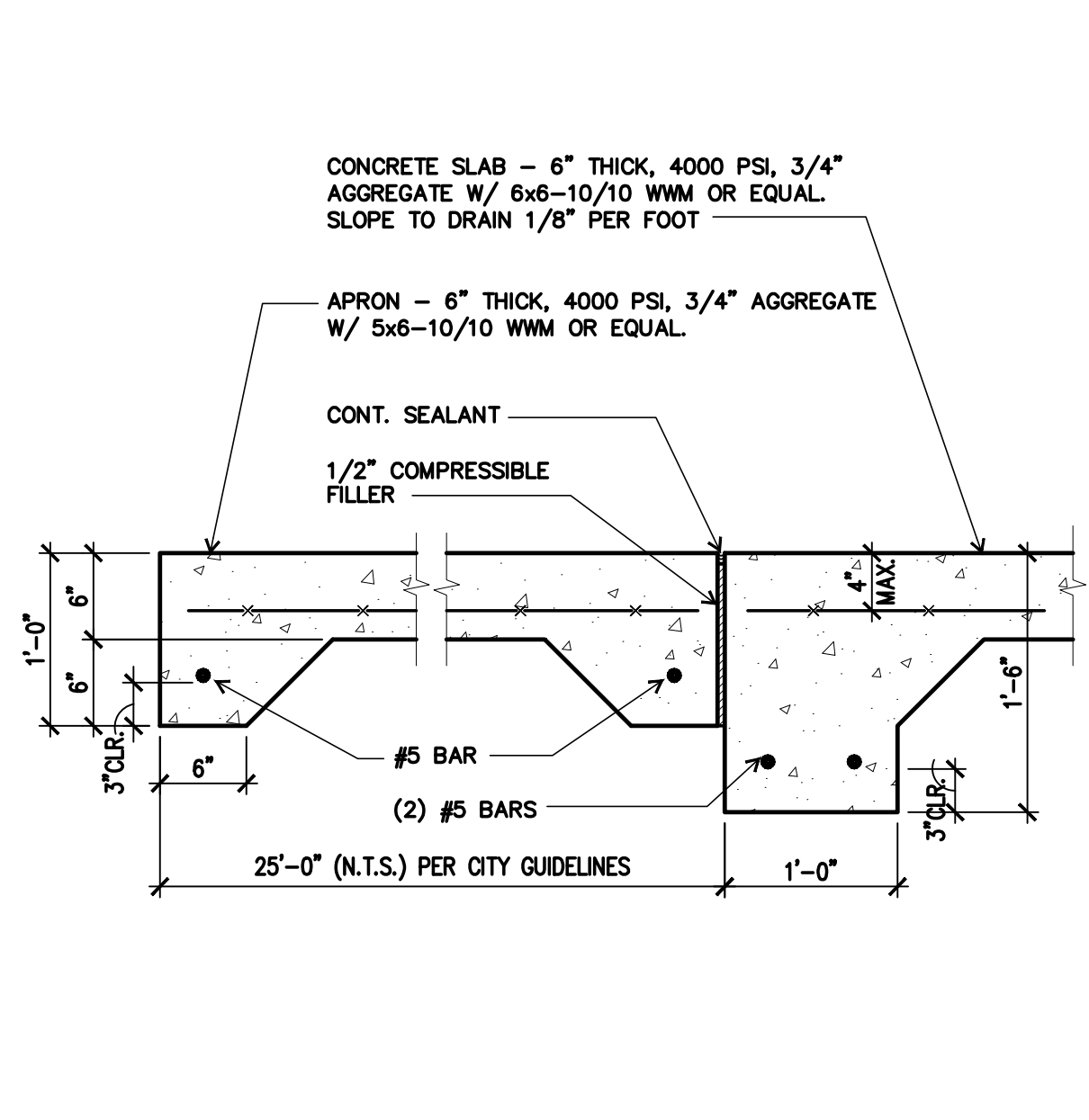
COLOR NOTES:  
PRE-CAST CONCRETE CAP/BAND COLOR - DAVIS, PEWTER 860  
PAINT STEEL FENCE/GATE/FRAME COLOR - DUNN EDWARDS 6378 JET  
STONE VENEER - SLOSTICE "IRONWOOD" LEDGESTONE

22 VEHICULAR ENTRY GATE  
EXIT ONLY GATE AT W. ISABELLA AVE. - SIMILAR

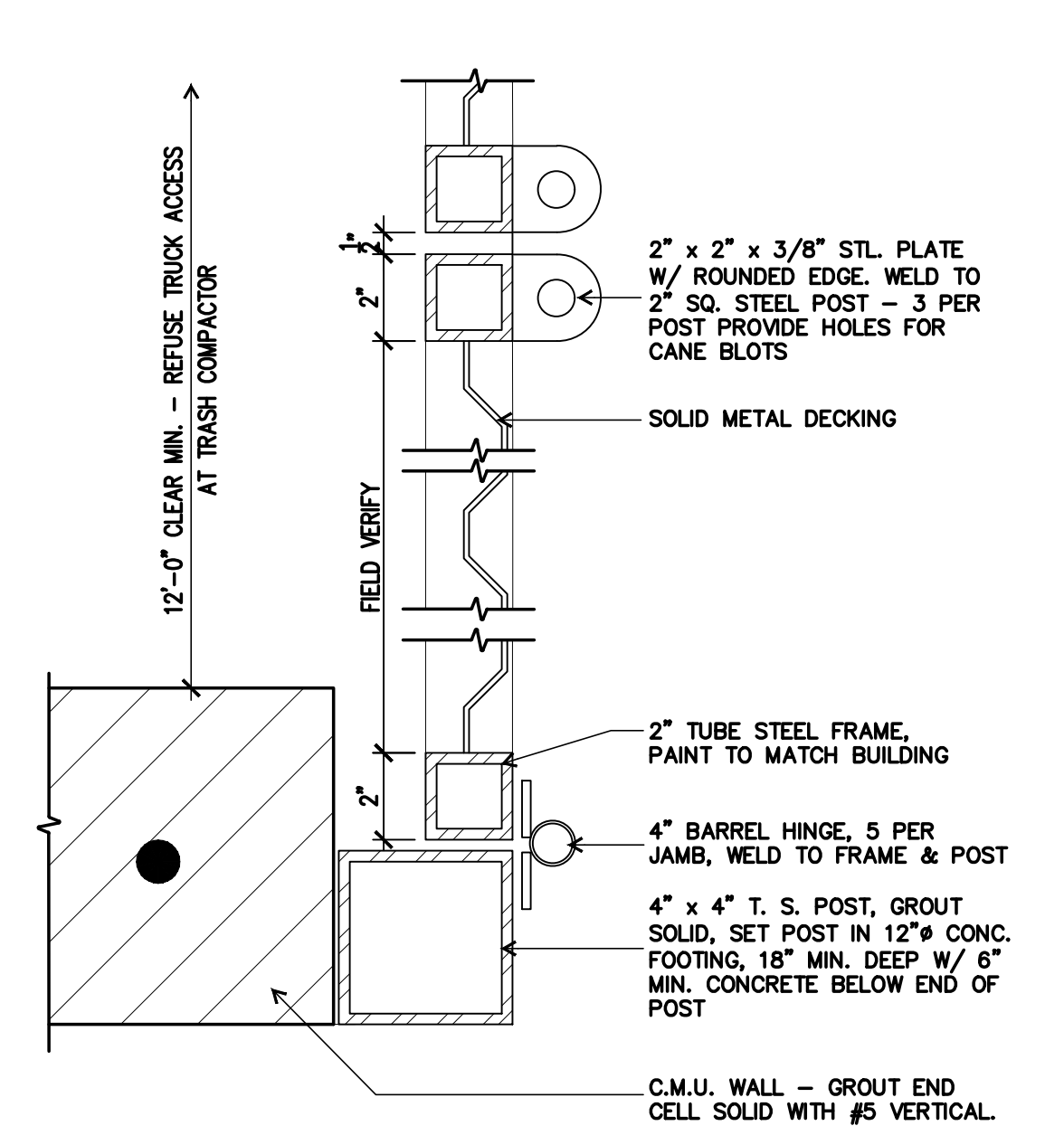


COLOR NOTES:  
PRE-CAST CONCRETE CAP/BAND COLOR - DAVIS, PEWTER 860  
PAINT STEEL FENCE/GATE/FRAME COLOR - DUNN EDWARDS 6378 JET  
STONE VENEER - SLOSTICE "IRONWOOD" LEDGESTONE

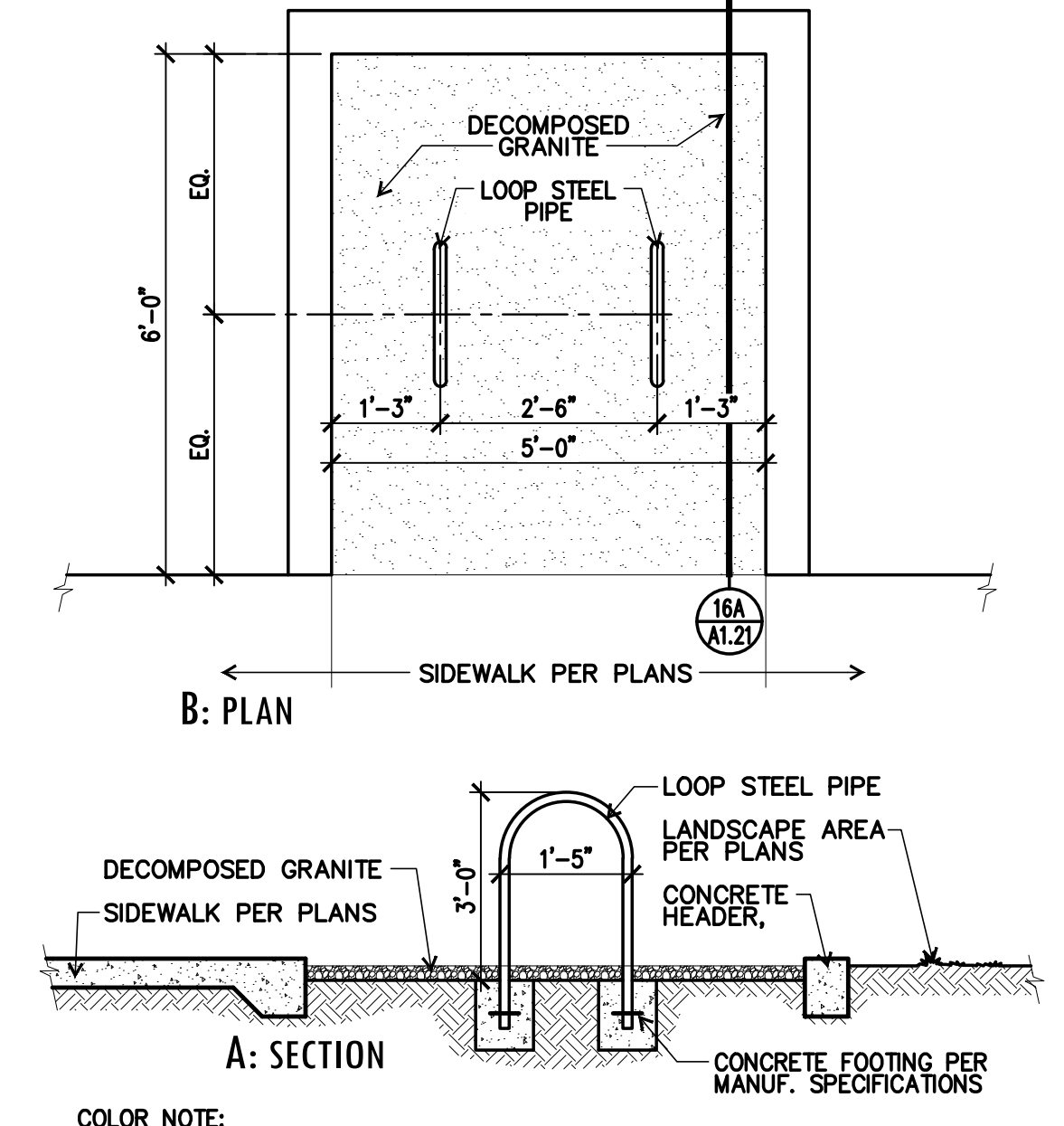
16 PEDESTRIAN ENTRY GATE



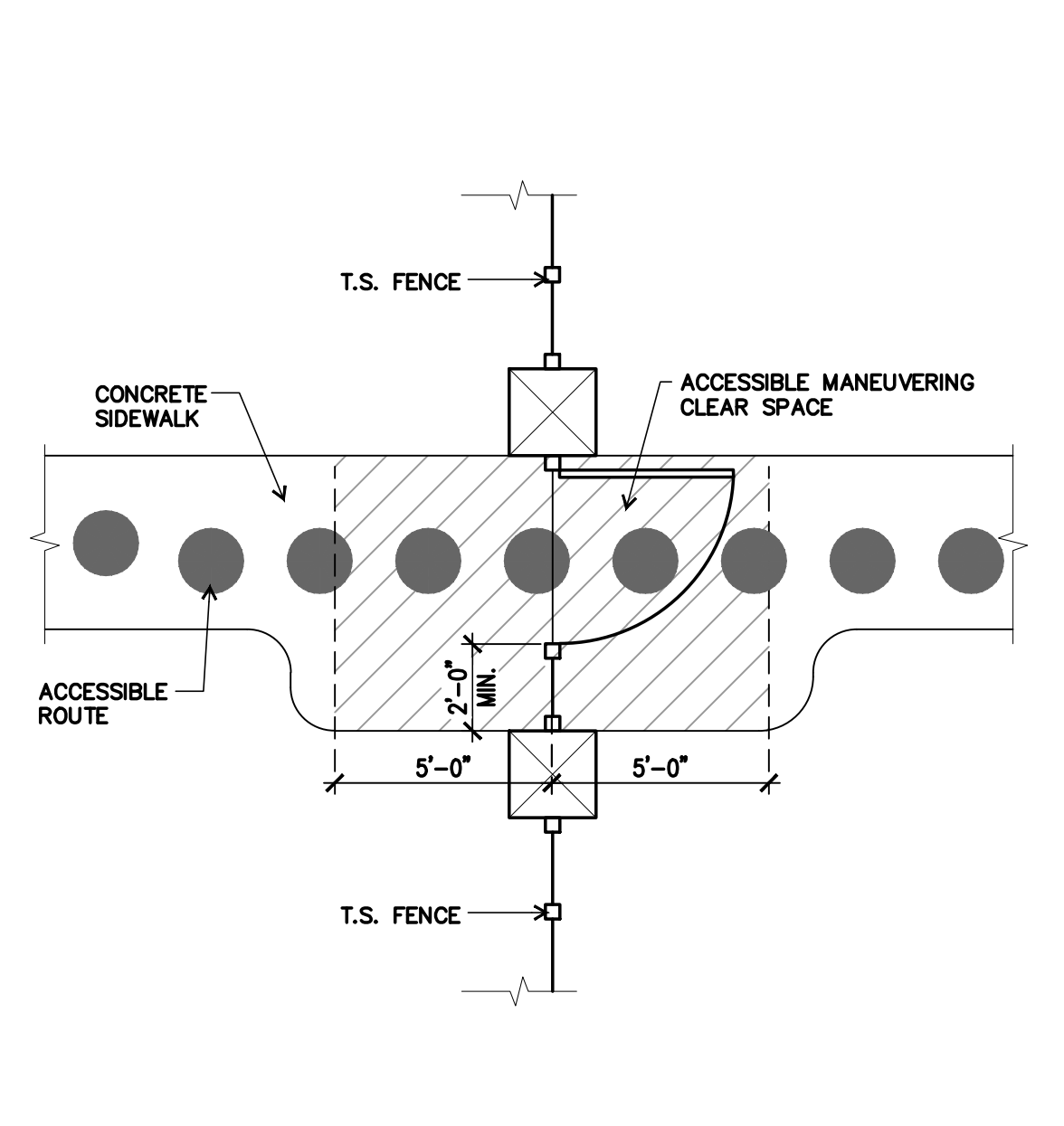
29 REFUSE ENCLOSURE SLAB JOINT



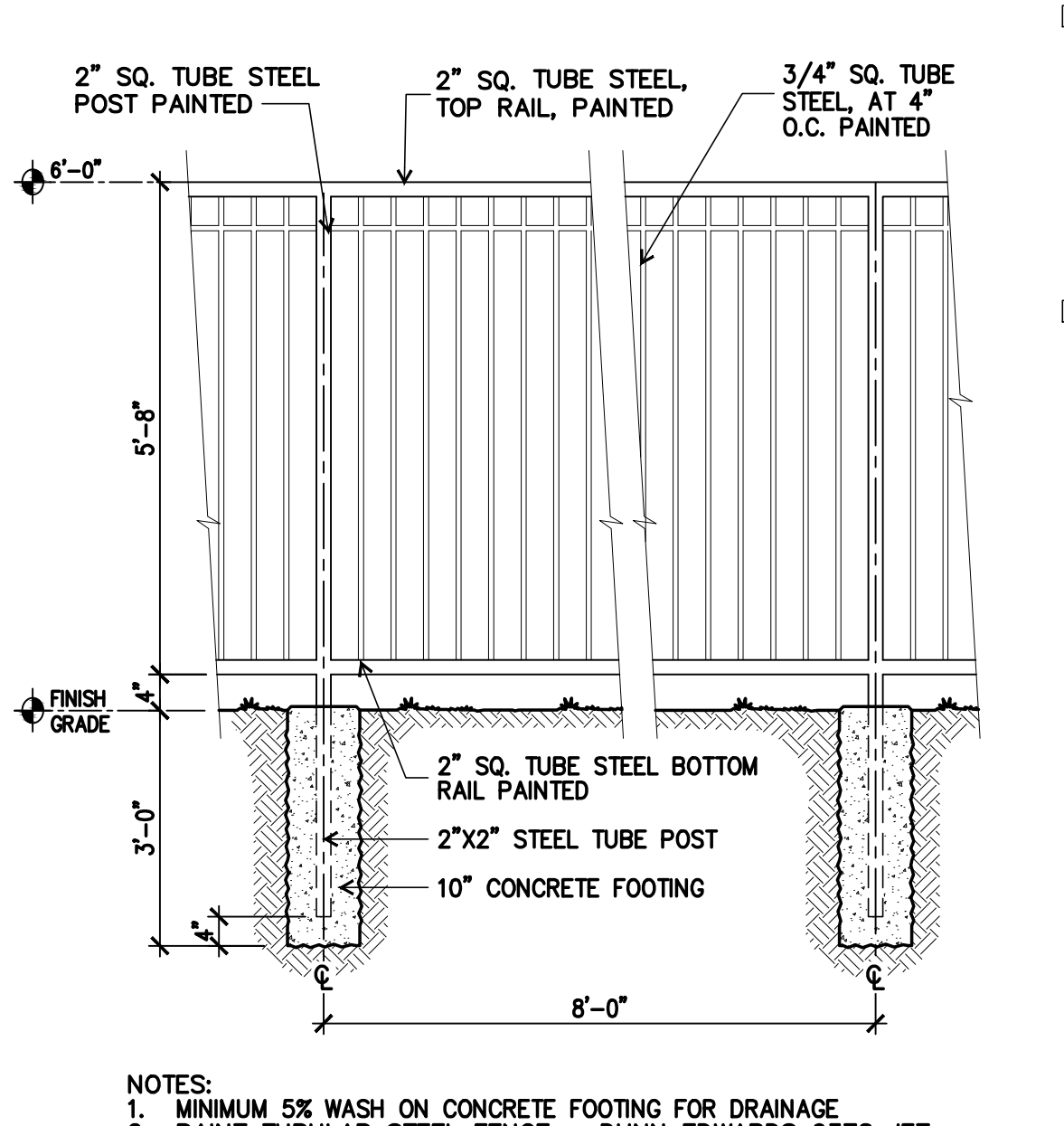
26 TRASH ENCLOSURE GATE



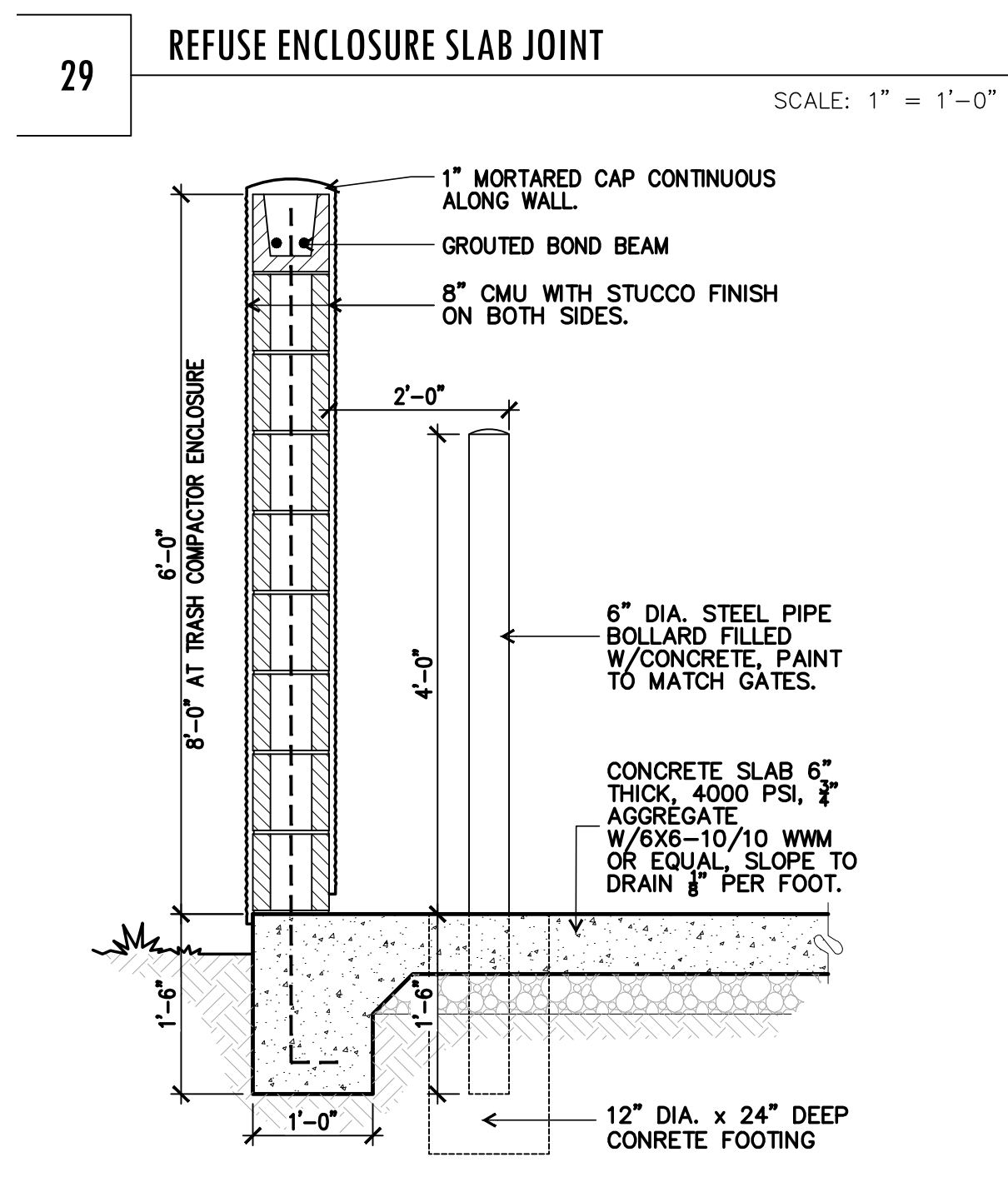
23 (4) BICYCLE RACK PARKING



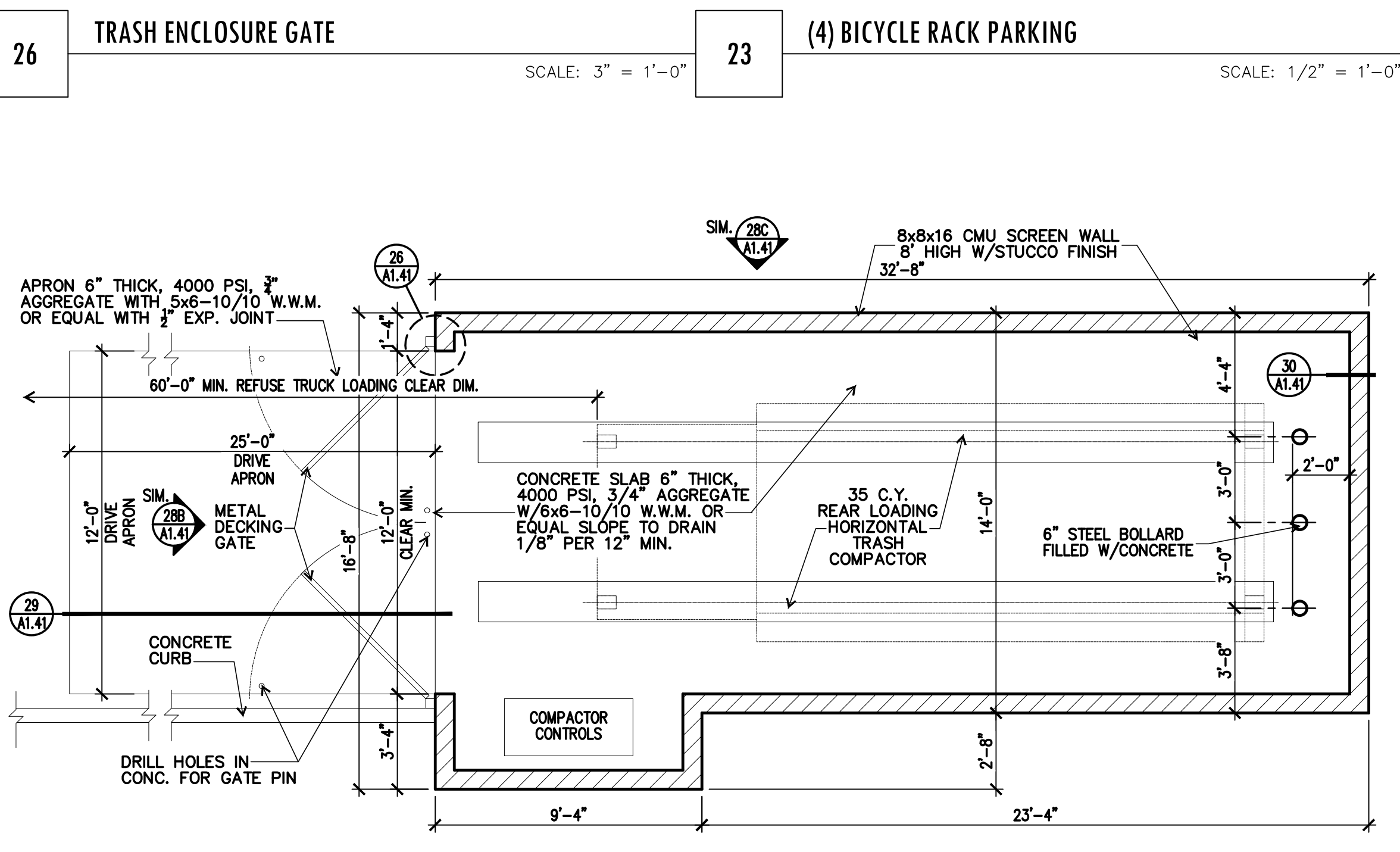
20 ACCESSIBLE MANEUVERING SPACE AT GATES



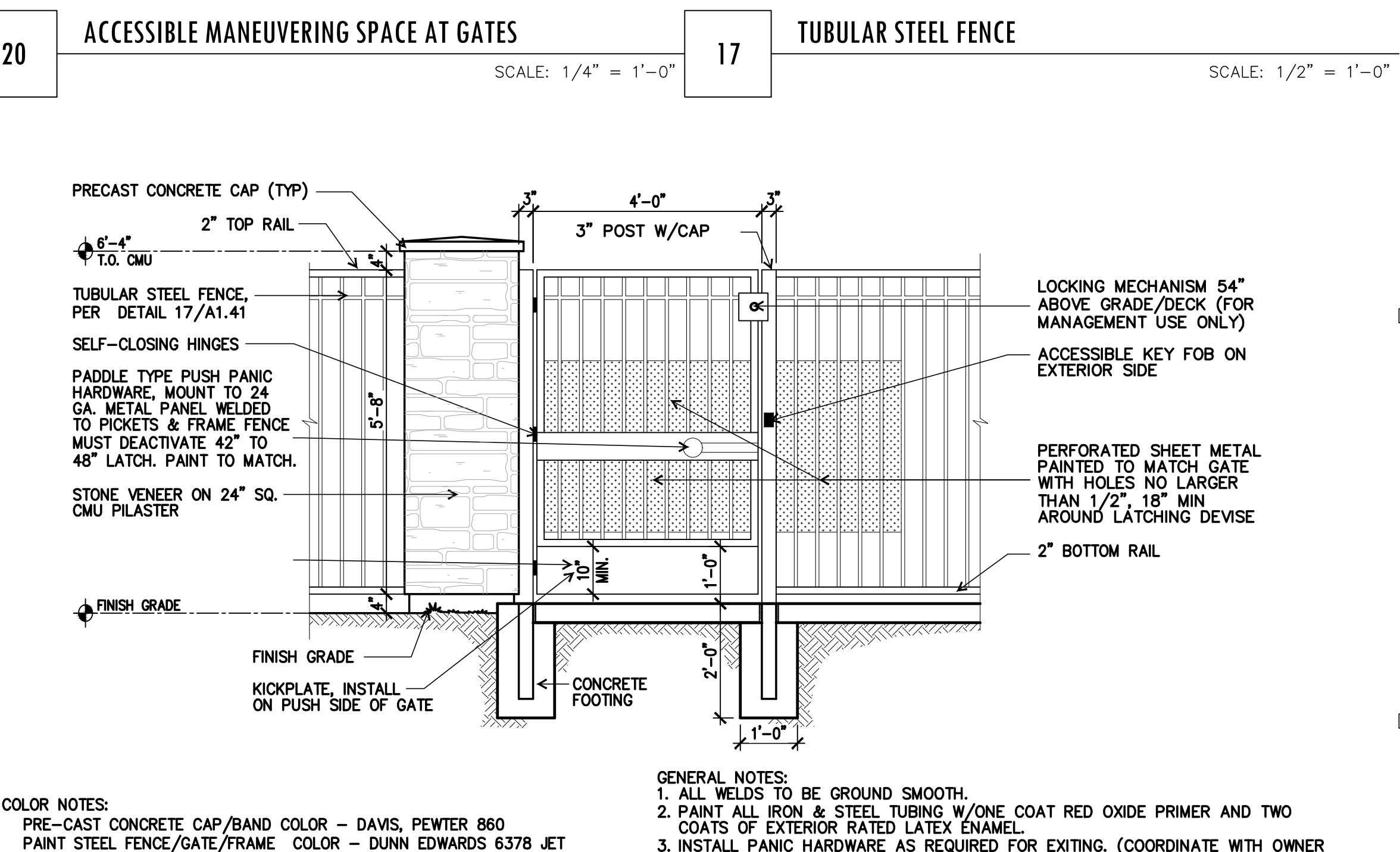
17 TUBULAR STEEL FENCE



30 REFUSE ENCLOSURE WALL



27 REFUSE COMPACTOR ENCLOSURE



21 PEDESTRIAN ENTRY GATE AT POOL FENCE

GENERAL NOTES:  
1. ALL WELDS TO BE GROUND SMOOTH.  
2. PAINT ALL IRON & STEEL TUBING W/ONE COAT RED OXIDE PRIMER AND TWO COATS OF EXTERIOR RATED LATEX ENAMEL.  
3. INSTALL PANIC HARDWARE AS REQUIRED FOR EXITING. (COORDINATE WITH OWNER PRIOR TO CONSTRUCTION).  
4. POOL FENCING AND GATES SHALL MEET ALL LOCAL JURISDICTIONAL REQUIREMENTS.

REVISIONS


DRB 3RD SUBMITTAL  
DATE: DECEMBER 02, 2021 ORB # 20-204

**A1.41**

SITE DETAILS  
16-30

FILE: I:\04\ORB Job Files\20-204\_Cavasson MF\CAD Files\Preliminary\20204\_A141\_Site Details.dwg USER: jps DATE: Nov, 28 2021 TIME: 09:31 am