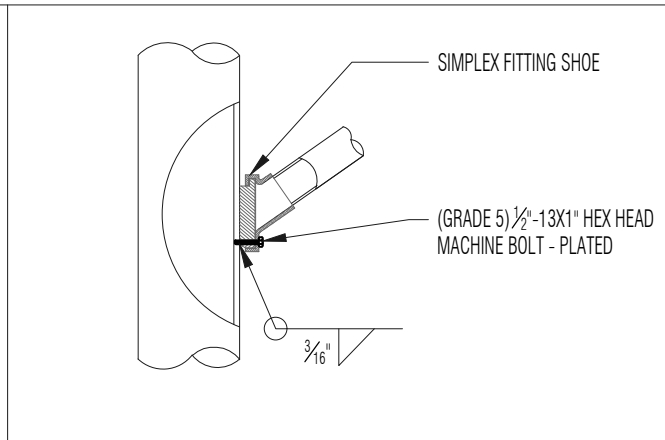
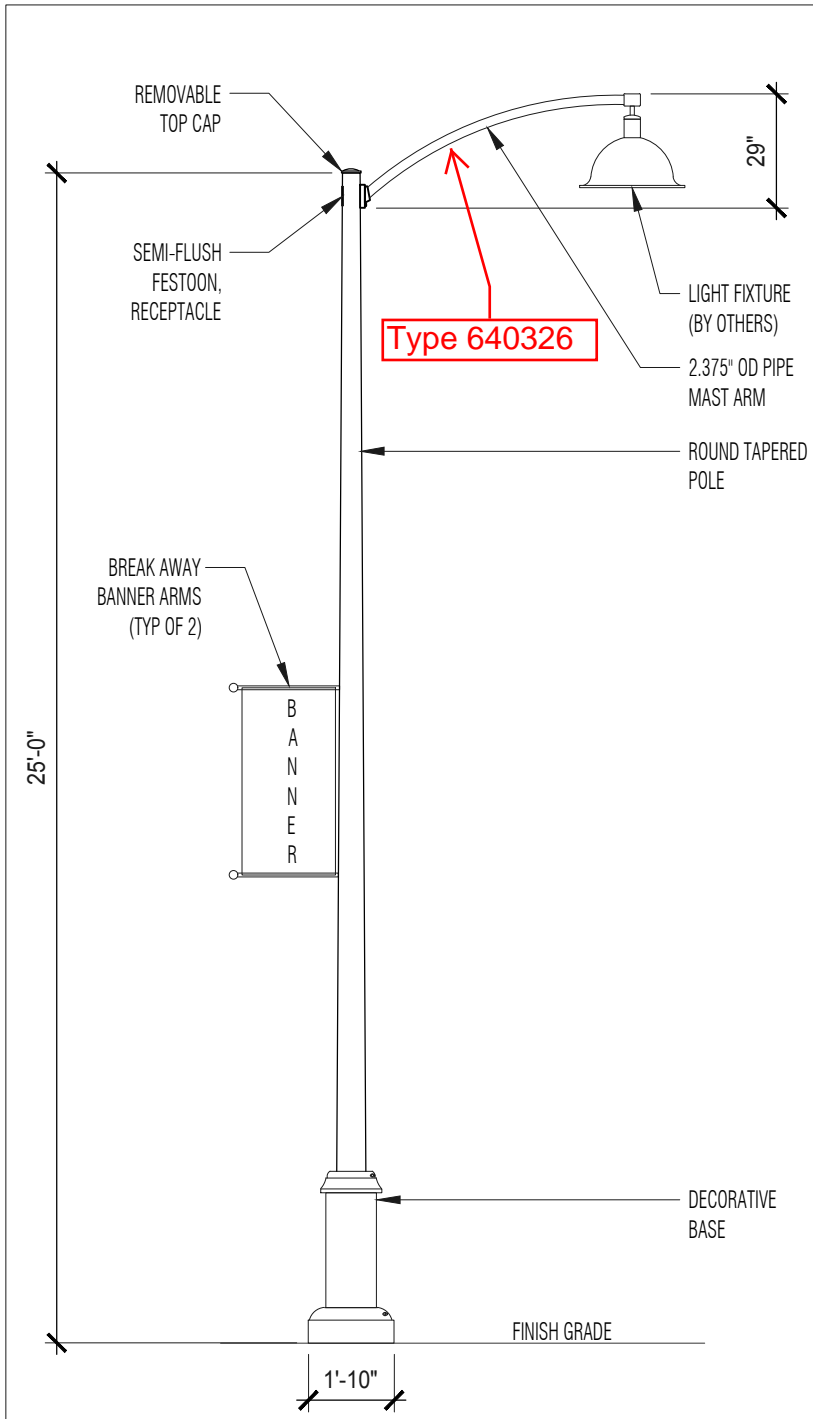




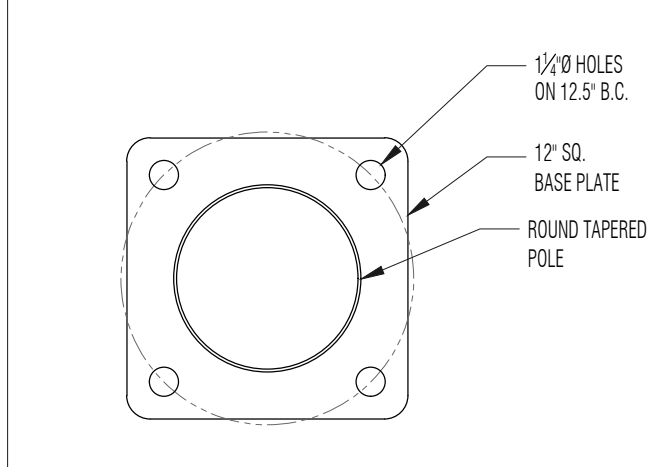
1425 W. 12th Place, #105  
 Tempe, Arizona 85281  
 Tel (480) 967-8653  
 Fax (480) 829-1589

**MARSHALL WAY**

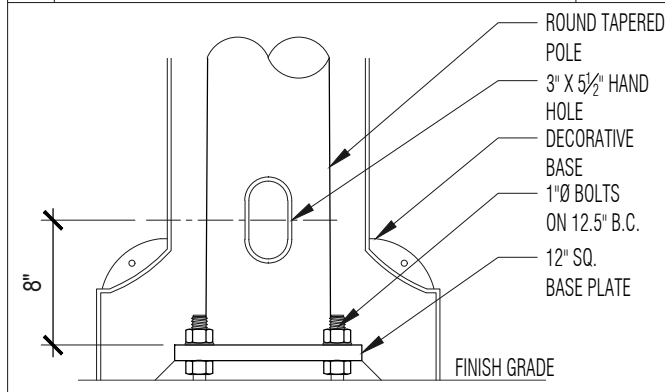
To: Kim McCarty Border States-Phoenix 5519 E Washington Street Phoenix, AZ 85034 PH: 602-244-0331 Fax 602-273-7420		Submittal Date: 4/21/2017
Type	Mfg	Description
640322	Cem-Tec Manufacturing	25' RD TAPERED STEEL POLE...LESS SGL ARM
640324	Cem-Tec Manufacturing	16' RD TAPERED STEEL POLE...LESS SGL ARM
640325	Cem-Tec Manufacturing	25' RD TAPERED STEEL POLE...LESS DBL ARM
640326	Cem-Tec Manufacturing	ARM 6' RD MAST
640327	Cem-Tec Manufacturing	ARM 4' RD MAST
640601	Visionaire Lighting, LLC	ODN-3-L-T2-80LC-5-3K-UNV-MAF-CC-C2-H3-MAP01-DIM
640602	Visionaire Lighting, LLC	ODN-1-L-T2-32LC-5-3K-UNV-MAF-CC-C2-H3-MAP01-DIM



2 LIGHT MAST ARM POLE ATTACHMENT Scale: NTS



3 BASE PLATE Scale: NTS



4 POLE BASE DETAIL Scale: NTS

**SPECIFICATIONS**

DESIGN CRITERION: POLE SHALL BE DESIGNED PER IBC 2012 / 2015 (115 MPH)

POLE SHAFT: THE POLE IS FABRICATED FROM A WELDABLE GRADE TAPERED TUBE AND HAS MINIMUM YIELD STRENGTH OF 65,000 PSI. PER ASTM A572GR65.

ANCHOR BASE: THE BASE PLATE IS FABRICATED FROM A STRUCTURAL QUALITY HOT-ROLLED CARBON PLATE THAT MEETS OR EXCEEDS THE REQUIREMENTS OF ASTM-A36.

ANCHOR BOLTS: ANCHOR BOLTS ARE FABRICATED FROM HOT-ROLLED CARBON STEEL BAR THAT MEET OR EXCEED REQUIREMENTS ASTM-A36. EACH BOLT HAS AN "L" BEND ON ONE END AND A MINIMUM 4" THREAD ON THE OTHER, WITH 2 NUTS AND 2 WASHERS (ASSEMBLED). THE ANCHOR BOLT IS HOT-DIPPED GALVANIZED PER ASTM-A153.

HANDHOLE: THE HANDHOLE CONSISTS OF A 3" X 5" OVAL REINFORCED FRAME WITH 16 GAUGE COVER, STEEL ATTACHMENT BAR, AND 1/2" SCREW. A GROUNDING LUG IS INSTALLED INSIDE THE POLE SHAFT OPPOSITE THE HANDHOLE OPENING. THE HANDHOLE IS WELDED IN THE POLE SHAFT AND LOCATED AT 8" ABOVE THE BASE.

FINISH: THE POLE IS SAND BLASTED TO A NEAR WHITE FINISH AND TREATED WITH AN IRON PHOSPHATE SOLUTION. A HIGH QUALITY POLYESTER POWDER IS THEN ELECTROSTATICALLY APPLIED AND CURED TO A MINIMUM 2.5 MIL. THICKNESS.

**POLE ASSEMBLY:**

- REMOVABLE TOP CAP
- 2.5"X5" SEMI-FLUSH FESTOON, RECEPTACLE
- SIMPLEX FITTING - SHOE
- **6' MAST ARM**
- (2) 24" LONG BANNER ARMS
- (2) 1" Ø THREADED HUBS
- ROUND TAPERED POLE 8"X4.5"
- 44" TALL DECORATIVE BASE
- BURGUNDY FINISH 2.5 MIL THICKNESS POWDER COATED
- LIGHT FIXTURES PROVIDED BY OTHERS

**ELEVATION & DETAILS**

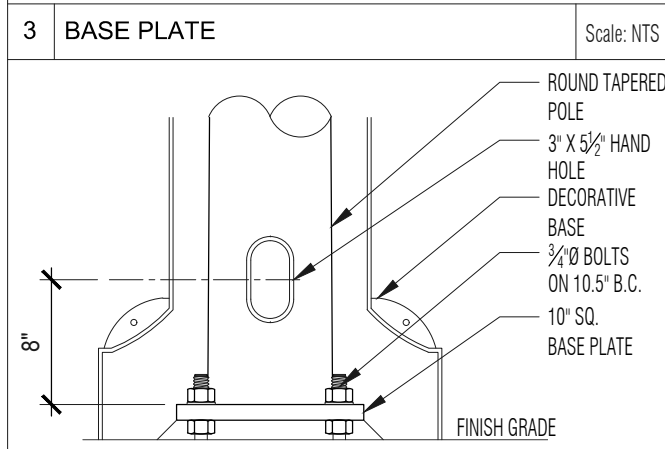
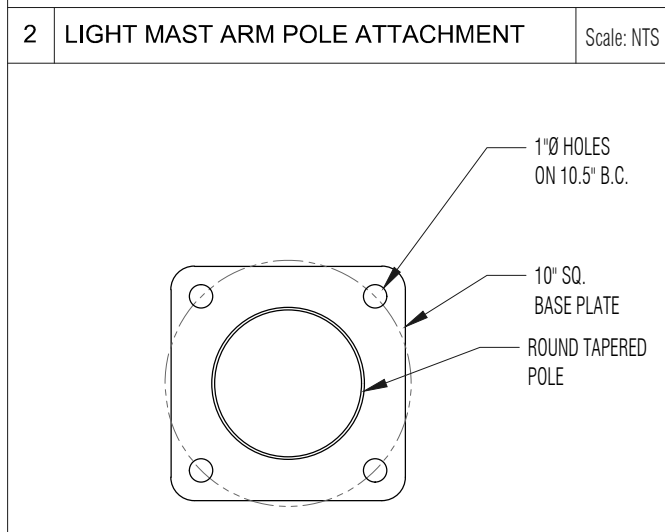
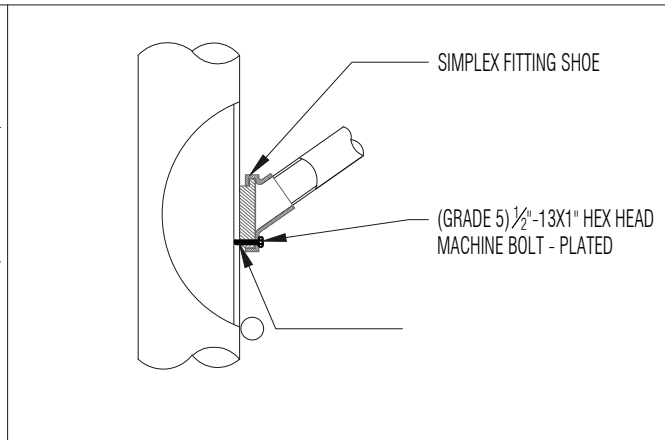
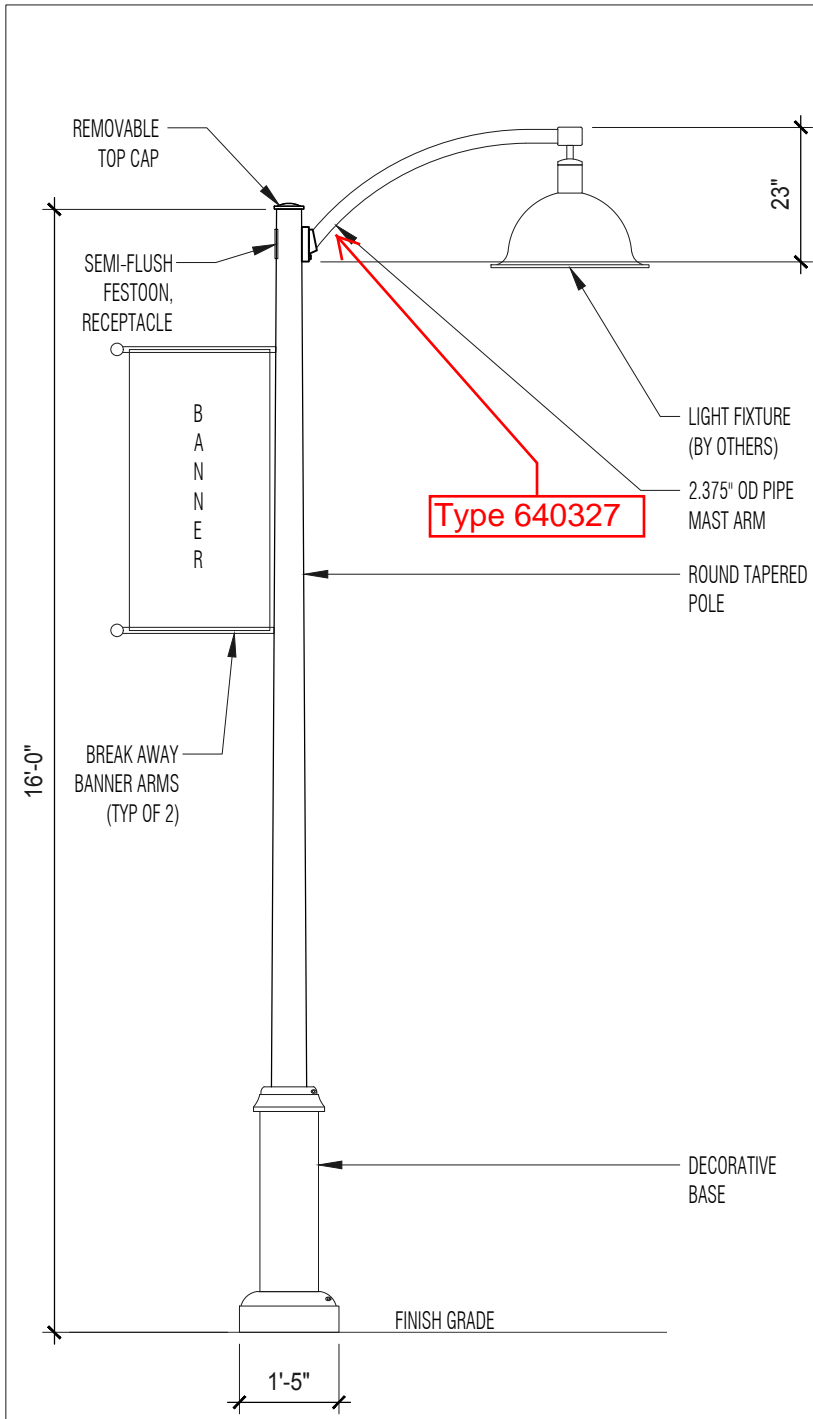
**CEM-TEC CORPORATION**  
Steel Manufacturing Light Standards

3745 South 7th Avenue  
Phoenix, Arizona 85041  
(602) 268-8895 (Tel)  
(602) 276-7251 (Fax)  
Web: <http://www.cem-tec.com>

JOB NAME:

**Marshall Way**  
25' TALL TAPERED POLE  
WITH STREETLIGHT AND BANNER

1 ELEVATION Scale: NTS



**SPECIFICATIONS**

**DESIGN CRITERION:** POLE SHALL BE DESIGNED PER IBC 2012 / 2015 (115 MPH)

**POLE SHAFT:** THE POLE IS FABRICATED FROM A WELDABLE GRADE TAPERED TUBE AND HAS MINIMUM YIELD STRENGTH OF 65,000 PSI. PER ASTM A572 GR65.

**ANCHOR BASE:** THE BASE PLATE IS FABRICATED FROM A STRUCTURAL QUALITY HOT-ROLLED CARBON PLATE THAT MEETS OR EXCEEDS THE REQUIREMENTS OF ASTM-A36.

**ANCHOR BOLTS:** ANCHOR BOLTS ARE FABRICATED FROM HOT-ROLLED CARBON STEEL BAR THAT MEET OR EXCEED REQUIREMENTS ASTM-A36. EACH BOLT HAS AN "L" BEND ON ONE END AND A MINIMUM 4" THREAD ON THE OTHER, WITH 2 NUTS AND 2 WASHERS (ASSEMBLED). THE ANCHOR BOLT IS HOT-DIPPED GALVANIZED PER ASTM-A153.

**HANDHOLE:** THE HANDHOLE CONSISTS OF A 3" X 5" OVAL REINFORCED FRAME WITH 16 GAUGE COVER, STEEL ATTACHMENT BAR, AND 1/2" SCREW. A GROUNDING LUG IS INSTALLED INSIDE THE POLE SHAFT OPPOSITE THE HANDHOLE OPENING. THE HANDHOLE IS WELDED IN THE POLE SHAFT AND LOCATED AT 8" ABOVE THE BASE.

**FINISH:** THE POLE IS SAND BLASTED TO A NEAR WHITE FINISH AND TREATED WITH AN IRON PHOSPHATE SOLUTION. A HIGH QUALITY POLYESTER POWDER IS THEN ELECTROSTATICALLY APPLIED AND CURED TO A MINIMUM 2.5 MIL. THICKNESS.

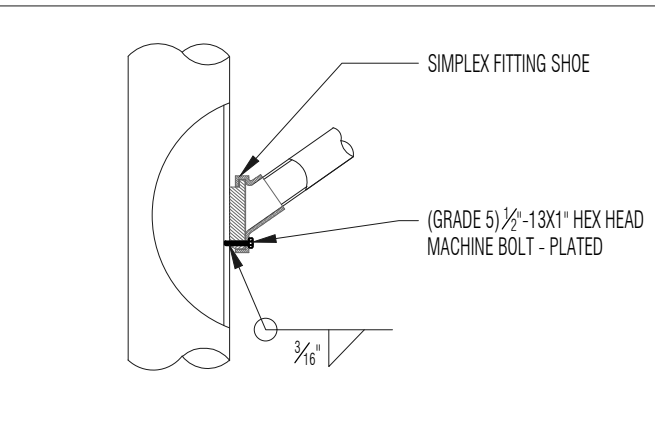
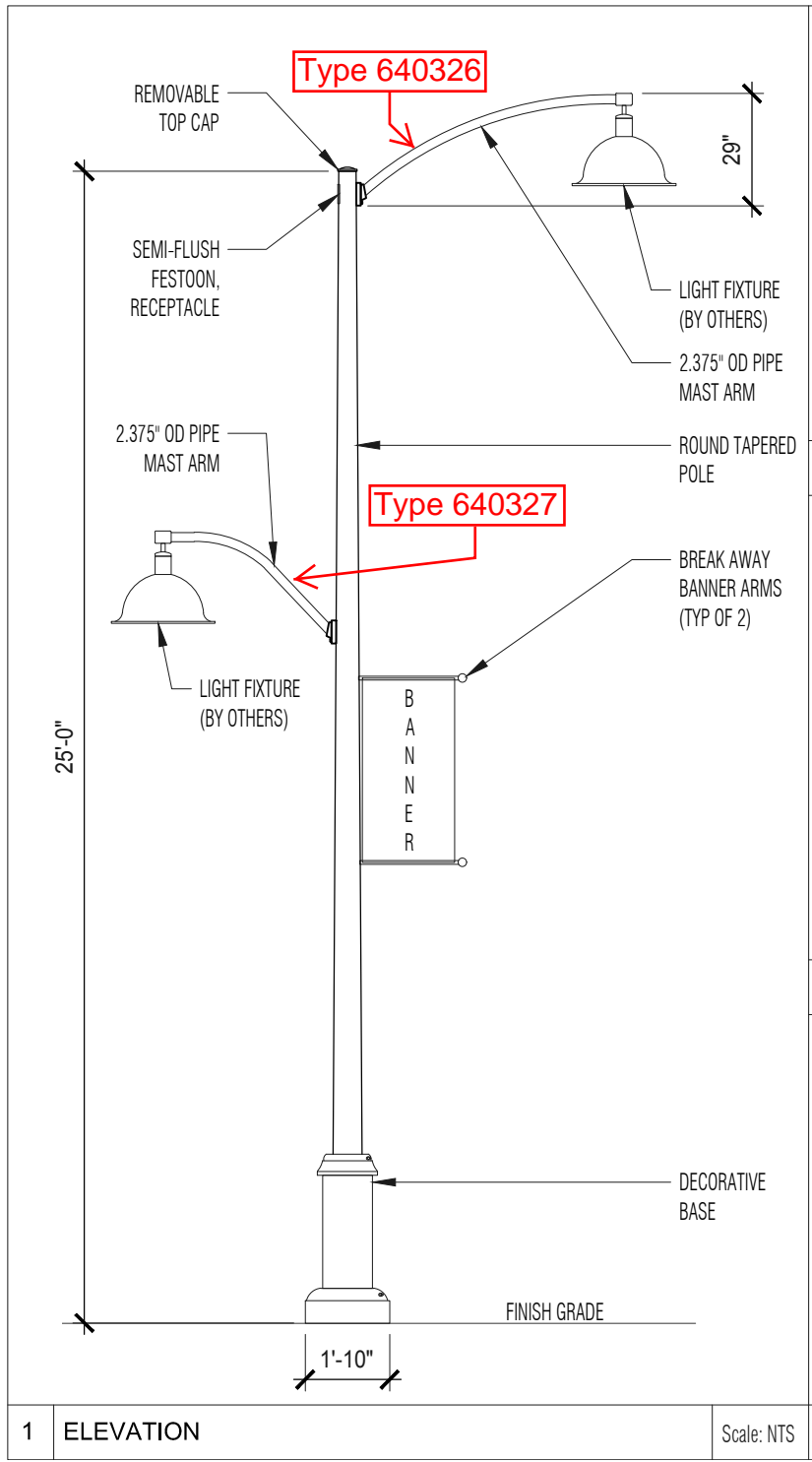
- POLE ASSEMBLY:**
- REMOVABLE TOP CAP
  - 2.5"X5" SEMI-FLUSH FESTOON, RECEPTACLE
  - SIMPLEX FITTING - SHOE
  - **4' MAST ARM**
  - (2) 24" LONG BANNER ARMS
  - (2) 1"Ø THREADED HUBS
  - ROUND TAPERED POLE 6.5"X4.26"
  - 42" TALL DECORATIVE BASE
  - BURGUNDY FINISH 2.5 MIL THICKNESS POWDER COATED
  - LIGHT FIXTURES PROVIDED BY OTHERS

**ELEVATION & DETAILS**

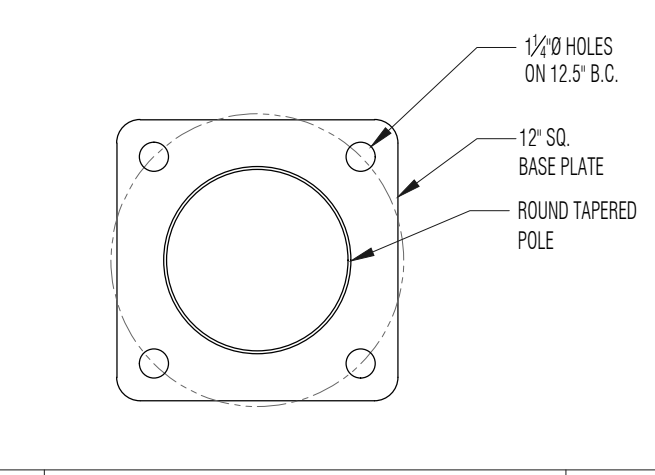
**CEM-TEC CORPORATION**  
Steel Manufacturing Light Standards

3745 South 7th Avenue  
Phoenix, Arizona 85041  
(602) 268-8895 (Tel)  
(602) 276-7251 (Fax)  
Web: <http://www.cem-tec.com>

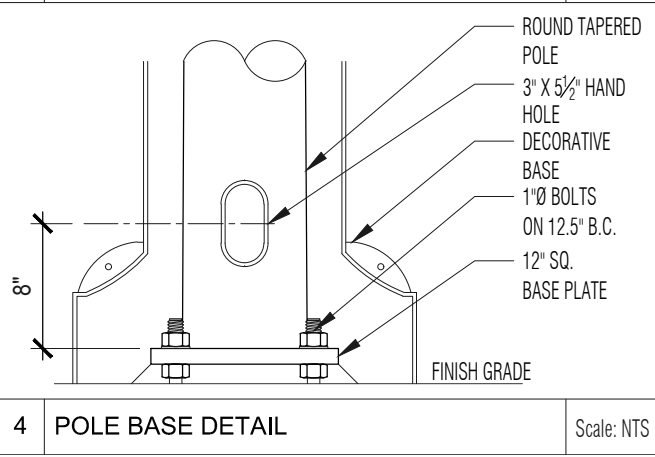
JOB NAME:  
**Marshall Way**  
16' TAPERED POLE WITH STREETLIGHT AND BANNER



2 LIGHT MAST ARM POLE ATTACHMENT Scale: NTS



3 BASE PLATE Scale: NTS



4 POLE BASE DETAIL Scale: NTS

**SPECIFICATIONS**

**DESIGN CRITERION:** POLE SHALL BE DESIGNED PER IBC 2012 / 2015 (115 MPH)

**POLE SHAFT:** THE POLE IS FABRICATED FROM A WELDABLE GRADE TAPERED TUBE AND HAS MINIMUM YIELD STRENGTH OF 65,000 PSI. PER ASTM A572GR65.

**ANCHOR BASE:** THE BASE PLATE IS FABRICATED FROM A STRUCTURAL QUALITY HOT-ROLLED CARBON PLATE THAT MEETS OR EXCEEDS THE REQUIREMENTS OF ASTM-A36.

**ANCHOR BOLTS:** ANCHOR BOLTS ARE FABRICATED FROM HOT-ROLLED CARBON STEEL BAR THAT MEET OR EXCEED REQUIREMENTS ASTM-A36. EACH BOLT HAS AN "L" BEND ON ONE END AND A MINIMUM 4" THREAD ON THE OTHER, WITH 2 NUTS AND 2 WASHERS (ASSEMBLED). THE ANCHOR BOLT IS HOT-DIPPED GALVANIZED PER ASTM-A153.

**HANDHOLE:** THE HANDHOLE CONSISTS OF A 3" X 5" OVAL REINFORCED FRAME WITH 16 GAUGE COVER, STEEL ATTACHMENT BAR, AND 1/2" SCREW. A GROUNDING LUG IS INSTALLED INSIDE THE POLE SHAFT OPPOSITE THE HANDHOLE OPENING. THE HANDHOLE IS WELDED IN THE POLE SHAFT AND LOCATED AT 8" ABOVE THE BASE.

**FINISH:** THE POLE IS SAND BLASTED TO A NEAR WHITE FINISH AND TREATED WITH AN IRON PHOSPHATE SOLUTION. A HIGH QUALITY POLYESTER POWDER IS THEN ELECTROSTATICALLY APPLIED AND CURED TO A MINIMUM 2.5 MIL. THICKNESS.

- POLE ASSEMBLY:**
- REMOVABLE TOP CAP
  - 2.5"X5" SEMI-FLUSH FESTOON, RECEPTACLE
  - (2) SIMPLEX FITTING - SHOE
  - 6' MAST ARM
  - 4' MAST ARM
  - (2) 24" LONG BANNER ARMS
  - (2) 1"Ø THREADED HUBS
  - ROUND TAPERED POLE 8"X4.5"
  - 44" TALL DECORATIVE BASE
  - BURGUNDY FINISH 2.5 MIL THICKNESS
  - POWDER COATED
  - LIGHT FIXTURES PROVIDED BY OTHERS

**ELEVATION & DETAILS**

**CEM-TEC CORPORATION**  
Steel Manufacturing Light Standards

3745 South 7th Avenue  
Phoenix, Arizona 85041  
(602) 268-8895 (Tel)  
(602) 276-7251 (Fax)  
Web: <http://www.cem-tec.com>

JOB NAME:  
**Marshall Way**  
25' TAPERED POLE WITH STREETLIGHT,  
PEDESTRIAN LIGHT AND BANNER

ISE JOB NO. SHEET DATE:  
RFQ 1 of 1 April 20, 2017

1 ELEVATION Scale: NTS



# Oden LED

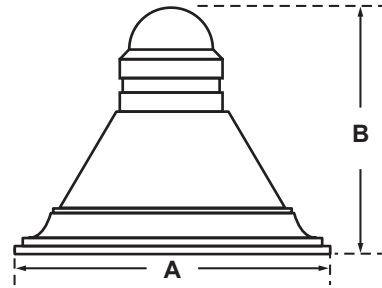
Project Name:  
MARSHALL WAY

Catalog Number:  
ODN-3-L-T2-80LC-5-3K-UNV-  
MAF-CC-C2-H3-MAP01-DIM

Type  
640601 -  
STREET



## Dimensional Drawings



Fixture	A	B	Max. LEDs	Lbs
ODN-1-L	20"	17 1/2"	48	40
ODN-2-L	25"	22 1/2"	96	53
ODN-3-L	30"	24"	96	74

With six interchangeable caps and spun shade styles, the **Oden - LED** offers architects, designers and engineers endless possibilities for a custom fixture to fit their unique application.

CAP 1 (C1)	CAP 2 (C2)	CAP 3 (C3)	HOUSING 1 (H1)	HOUSING 2 (H2)	HOUSING 3 (H3)
CAP 4 (C4)	CAP 5 (C5)	CAP 6 (C6)	HOUSING 4 (H4)	HOUSING 5 (H5)	HOUSING 6 (H6)

The **Oden - LEDs'** high-quality, durable construction makes it an ideal fixture for any application.

Model	Optics	Source	Milliamps	Kelvin	Voltage	Mounting	Finish	Cap/Shade	Options
ODN-1-L	Type I (T1)	# of LEDs 16 (16LC)	350 (3)	3000K *Warm white (3K)	120-277 *Universal voltage (UNV)	Yoke Mount *Slips over 3"ØD tenon x 4" tall with special threaded mounting plate. (YM)	Bronze (BZ)	C1 (C1)	Button Type Photocell *Specify voltage (PC120) (PC208) (PC240) (PC277)
	Type II (T2)	32 (32LC)	530 (5)	4000K *Neutral white (4K)	480 (5)	Arm Mount *For size 1 fixture (AM)	Black (BK)	C2 (C2)	
ODN-2-L	Type III (T3)	48 (48LC)	700 (7)	5000K *Cool white (5K)	347 (8)	Arm Mount Large *For size 2 & 3 fixtures (AML)	White (WH)	C3 (C3)	Cutoff Louver System (CLS)  0-10 V Dimming Driver *No controls (DIM)  Watt Stopper FSP-211 *Works with FSP-211 (WSC-8) 8' Mounting Height (WSC-20) 9-20' Mounting Height (WSC-40) 21-40' Mounting Height  This option will require (1) FSIR 100 remote for programming
	Type IV (T4)	64 (64LC)				Wall Mount (WM)	Sandstone (SN)	C4 (C4)	
	Type V (T5)	80 (80LC)					Weathered Brown (WB)	C5 (C5)	
ODN-3-L	Type VV (T5W)	96 (96LC)					Silver Metallic (SL)	C6 (C6)	Dual Circuit (DC)
		80 (80LC)					Verdigris (VD)	H1 (H1)	
		96 (96LC)					Forest Green (FG)	H2 (H2)	
							Custom Color (CC)	H3 (H3)	
								H4 (H4)	
								H5 (H5)	
								H6 (H6)	

\*See decorative arm section for arm & wall mount options.

\*Input selection from this column in the form of: C1-H1

For more detailed information on mounting, wiring or installation instructions, please consult factory. If poles are not ordered with fixtures, please specify mounting requirements. This document contains proprietary information of Visionaire Lighting, LLC. Any use of this information requires the written approval of Visionaire Lighting, LLC. In keeping with our TQM policy of continuous improvement, Visionaire reserves the right to change any specifications contained herein without prior notice.

## Housing

- High-quality, one-piece spun aluminum shade and durable cast aluminum top cap; available in three housing sizes.
- All external hardware is stainless steel.
- One-piece, cast-aluminum door assembly with tool-less access.

## Thermal Management

- The **Oden - LED** provides excellent overall thermal management by maximizing the efficiency of the heat sink in the fixture. This enables the **Oden - LED** to withstand higher ambient temperatures and higher drive currents without degrading LED life.

## Optical System

- The highest lumen output LEDs are utilized. Estimated life of the LEDs is 100,000+ hours. Available with 6 IES distribution patterns. Available with up to 96 LEDs. The optical system qualifies as IES full cutoff to restrict light trespass, glare and light pollution for neighborhood-friendly lighting.
- CRI values are 70

## Quali-Guard® Finish

- Fixture components are chemically pretreated through a multiple-stage washer and finished with an electrostatically-applied, thermoset polyester powder coat textured paint with a 3 to 5 mils thickness. Finish is oven-baked at 400 °F for maximum adherence and finish hardness.
- Available in standard and custom colors.

## Mounting

- The **Oden - LED** mounts to a wide selection of decorative and custom Visionaire mounting arms for both pole and wall mount applications (Mounts to Visionaire arms only. See Visionaire Mounting Arms section of catalog).

## Electrical Assembly

- The **Oden - LED** is supplied with a high-performance LED driver, located in its cap, that accepts 120 V thru 277 V, and 480 V, 50 Hz to 60 Hz input. Power factor is 90%. Rated for -40 °F operation.
- 10 kV surge protector supplied as standard.

## Warranty

- Five (5) year Limited Warranty on entire system, including finish. For full warranty information, please visit [VisionaireLighting.com](http://VisionaireLighting.com).

## Options

- Button type photocell
- Cutoff louver system
- 0-10 V dimming driver
- Watt Stopper FSP-211

## Listings

- **Oden** is cUL listed, suitable for wet locations.
- IP65.
- LM79.
- LM80.
- Powder Coated Tough™



## EPA Data

Fixture	Fixture Only	Fixture with VA110-S1	2 Fixtures with VA110-D2	Fixture with VA107-S1	2 Fixtures with VA107-D2
ODN-2-L	1.2	2.2	4.1	3.5	5.6
ODN-3-L	2.6	3.6	6.6	4.9	8.3

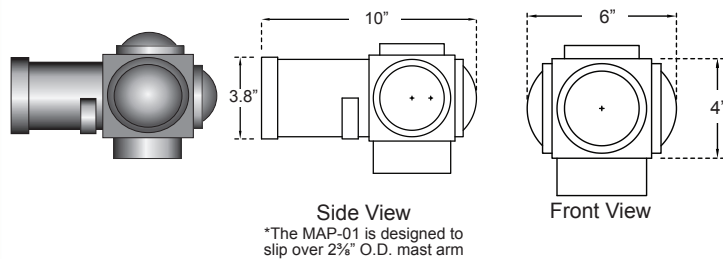
## LED Data Chart for 5000K\* Lumen data subject to change without notice

Size	# LEDs	Output mA	Type 1	Type 2	Type 3	Type 4	Type 5	Type 5-W	System Watts
ODN-1-L	16	350	2407	2168	2230	2120	2266	2170	19
		530	3251	2928	3012	2863	3061	2931	27
	32	350	4379	4030	3996	3927	4382	4121	36
		530	6167	5676	5627	5531	6171	5804	55
	48	350	7370	5768	5719	5621	6271	5898	52
		530	11817	8144	8074	7936	8853	8327	78
ODN-2-L	48	350	7370	6903	7030	6585	7391	7154	54
		530	11817	11068	11271	10558	11849	11470	82
		700	14741	13807	14060	13170	14781	14308	107
ODN-2-L ODN-3-L	64	350	10413	9754	9932	9304	10442	10108	72
		530	14727	13794	14046	13158	14767	14295	105
		700	18553	17378	17696	16577	18604	18008	140
	80	350	13185	12350	12576	11781	13221	12798	89
		530	18433	17265	17581	16469	18484	17892	130
		700	23203	21733	22131	20732	23267	22522	176
	96	350	13844	12967	13204	12369	13882	13438	104
		530	19953	18689	19031	17828	20008	19367	162
		700	25108	23518	23948	22434	25177	24371	210

Visit [www.VisionaireLighting.com](http://www.VisionaireLighting.com) for up-to-the-minute chart information, including types not listed here.

\* For 4K multiply values by 0.95/ 3k 0.90

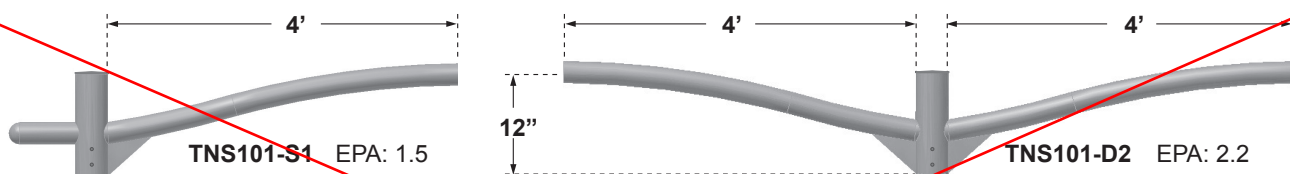
**MAP-01 Mast Arm Fitter Dimensions**



**EPA Data**

Fixture	Fixture only	One Fixture w/ TNS101-S1	Two Fixtures w/ TNS101-D2
ODN-2-L	2.6	4.1	7.4
ODN-3-L	3.5	5.0	9.2

**Typical Mounting Arms**



**LED Data Chart for 5000K\***

# Bars	# LEDs	Output mA	Type 1	Type 2	Type 3	Type 4	Type 5	Type 5-W	System Watts	L70 Hours
1	42	350	4,224	4,335	4,129	4,192	4,386	4,554	46	150,000
		530	5,112	5,645	5,417	5,340	5,951	6,208	68	100,000
2	84	350	8,258	8,671	7,329	8,052	8,773	9,108	92	150,000
		530	10,070	11,291	10,986	10,681	11,902	12,417	136	100,000

Visit [www.VisionaireLighting.com](http://www.VisionaireLighting.com) for up-to-the-minute chart information, including types not listed here.

\* For 4000K multiply values by 0.95

# Oden LED

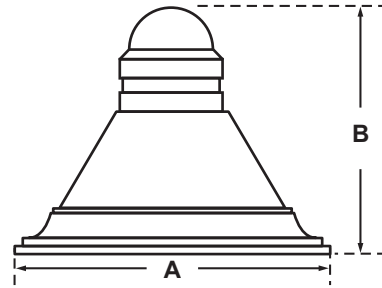
Project Name:  
MARSHALL WAY

Catalog Number:  
ODN-1-L-T2-32LC-5-3K-UNV-  
MAF-CC-C2-H3-MAP01-DIM

Type  
640602-  
PEDESTRIAN



## Dimensional Drawings



Fixture	A	B	Max. LEDs	Lbs
ODN-1-L	20"	17½"	48	40
ODN-2-L	25"	22½"	96	53
ODN-3-L	30"	24"	96	74

With six interchangeable caps and spun shade styles, the **Oden - LED** offers architects, designers and engineers endless possibilities for a custom fixture to fit their unique application.

CAP 1 (C1)	CAP 2 (C2)	CAP 3 (C3)	HOUSING 1 (H1)	HOUSING 2 (H2)	HOUSING 3 (H3)
CAP 4 (C4)	CAP 5 (C5)	CAP 6 (C6)	HOUSING 4 (H4)	HOUSING 5 (H5)	HOUSING 6 (H6)

The **Oden - LEDs'** high-quality, durable construction makes it an ideal fixture for any application.

Model	Optics	Source	Milliamps	Kelvin	Voltage	Mounting	Finish	Cap/Shade	Options
ODN-1-L	Type I (T1)	# of LEDs 16 (16LC)	350 (3)	3000K *Warm white (3K)	120-277 *Universal voltage (UNV)	Yoke Mount *Slips over 3"ØD tenon x 4" tall with special threaded mounting plate. (YM)	Bronze (BZ)	C1 (C1)	Button Type Photocell *Specify voltage (PC120) (PC208) (PC240) (PC277)
	Type II (T2)	32 (32LC)	530 (5)	4000K *Neutral white (4K)	480 (5)	Arm Mount *For size 1 fixture (AM)	Black (BK)	C2 (C2)	
ODN-2-L	Type III (T3)	48 (48LC)	700 (7)	5000K *Cool white (5K)	347 (8)	Arm Mount Large *For size 2 & 3 fixtures (AML)	White (WH)	C3 (C3)	Cutoff Louver System (CLS)
	Type IV (T4)	64 (64LC)				Wall Mount (WM)	Sandstone (SN)	C4 (C4)	
	Type V (T5)	80 (80LC)				MAF	Weathered Brown (WB)	C5 (C5)	
ODN-3-L	Type VV (T5W)	96 (96LC)					Silver Metallic (SL)	C6 (C6)	0-10 V Dimming Driver *No controls (DIM)
		80 (80LC)					Verdigris (VD)	H1 (H1)	
		96 (96LC)					Forest Green (FG)	H2 (H2)	Watt Stopper FSP-211 *Works with FSP-211 (WSC-8) 8' Mounting Height (WSC-20) 9-20' Mounting Height (WSC-40) 21-40' Mounting Height  This option will require (1) FSIR 100 remote for programming
						Custom Color (CC)	H3 (H3)	Dual Circuit (DC)	
								H4 (H4)	
								H5 (H5)	
								H6 (H6)	

For more detailed information on mounting, wiring or installation instructions, please consult factory. If poles are not ordered with fixtures, please specify mounting requirements. This document contains proprietary information of Visionaire Lighting, LLC. Any use of this information requires the written approval of Visionaire Lighting, LLC. In keeping with our TQM policy of continuous improvement, Visionaire reserves the right to change any specifications contained herein without prior notice.



## Housing

- High-quality, one-piece spun aluminum shade and durable cast aluminum top cap; available in three housing sizes.
- All external hardware is stainless steel.
- One-piece, cast-aluminum door assembly with tool-less access.

## Thermal Management

- The **Oden - LED** provides excellent overall thermal management by maximizing the efficiency of the heat sink in the fixture. This enables the **Oden - LED** to withstand higher ambient temperatures and higher drive currents without degrading LED life.

## Optical System

- The highest lumen output LEDs are utilized. Estimated life of the LEDs is 100,000+ hours. Available with 6 IES distribution patterns. Available with up to 96 LEDs. The optical system qualifies as IES full cutoff to restrict light trespass, glare and light pollution for neighborhood-friendly lighting.
- CRI values are 70

## Quali-Guard® Finish

- Fixture components are chemically pretreated through a multiple-stage washer and finished with an electrostatically-applied, thermoset polyester powder coat textured paint with a 3 to 5 mils thickness. Finish is oven-baked at 400 °F for maximum adherence and finish hardness.
- Available in standard and custom colors.

## Mounting

- The **Oden - LED** mounts to a wide selection of decorative and custom Visionaire mounting arms for both pole and wall mount applications (Mounts to Visionaire arms only. See Visionaire Mounting Arms section of catalog).

## Electrical Assembly

- The **Oden - LED** is supplied with a high-performance LED driver, located in its cap, that accepts 120 V thru 277 V, and 480 V, 50 Hz to 60 Hz input. Power factor is 90%. Rated for -40 °F operation.
- 10 kV surge protector supplied as standard.

## Warranty

- Five (5) year Limited Warranty on entire system, including finish. For full warranty information, please visit [VisionaireLighting.com](http://VisionaireLighting.com).

## Options

- Button type photocell
- Cutoff louver system
- 0-10 V dimming driver
- Watt Stopper FSP-211

## Listings

- **Oden** is cUL listed, suitable for wet locations.
- IP65.
- LM79.
- LM80.
- Powder Coated Tough™



## EPA Data

Fixture	Fixture Only	Fixture with VA110-S1	2 Fixtures with VA110-D2	Fixture with VA107-S1	2 Fixtures with VA107-D2
ODN-2-L	1.2	2.2	4.1	3.5	5.6
ODN-3-L	2.6	3.6	6.6	4.9	8.3

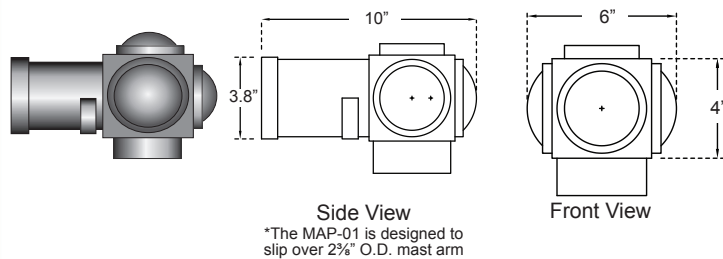
## LED Data Chart for 5000K\* Lumen data subject to change without notice

Size	# LEDs	Output mA	Type 1	Type 2	Type 3	Type 4	Type 5	Type 5-W	System Watts
ODN-1-L	16	350	2407	2168	2230	2120	2266	2170	19
		530	3251	2928	3012	2863	3061	2931	27
	32	350	4379	4030	3996	3927	4382	4121	36
		530	6167	5676	5627	5531	6171	5804	55
	48	350	7370	5768	5719	5621	6271	5898	52
		530	11817	8144	8074	7936	8853	8327	78
ODN-2-L	48	350	7370	6903	7030	6585	7391	7154	54
		530	11817	11068	11271	10558	11849	11470	82
		700	14741	13807	14060	13170	14781	14308	107
ODN-2-L ODN-3-L	64	350	10413	9754	9932	9304	10442	10108	72
		530	14727	13794	14046	13158	14767	14295	105
		700	18553	17378	17696	16577	18604	18008	140
	80	350	13185	12350	12576	11781	13221	12798	89
		530	18433	17265	17581	16469	18484	17892	130
		700	23203	21733	22131	20732	23267	22522	176
	96	350	13844	12967	13204	12369	13882	13438	104
		530	19953	18689	19031	17828	20008	19367	162
		700	25108	23518	23948	22434	25177	24371	210

Visit [www.VisionaireLighting.com](http://www.VisionaireLighting.com) for up-to-the-minute chart information, including types not listed here.

\* For 4K multiply values by 0.95/ 3k 0.90

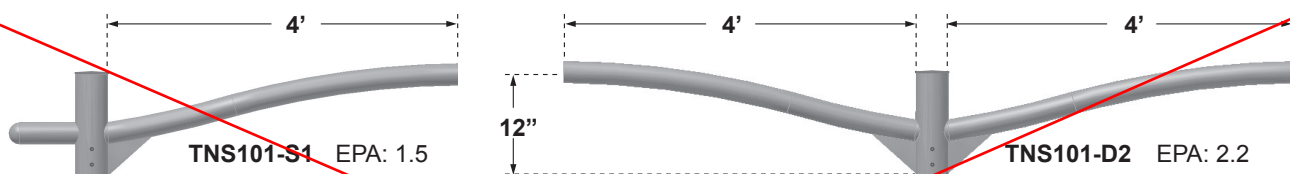
**MAP-01 Mast Arm Fitter Dimensions**



**EPA Data**

Fixture	Fixture only	One Fixture w/ TNS101-S1	Two Fixtures w/ TNS101-D2
ODN-2-L	2.6	4.1	7.4
ODN-3-L	3.5	5.0	9.2

**Typical Mounting Arms**



**LED Data Chart for 5000K\***

# Bars	# LEDs	Output mA	Type 1	Type 2	Type 3	Type 4	Type 5	Type 5-W	System Watts	L70 Hours
1	42	350	4,224	4,335	4,129	4,192	4,386	4,554	46	150,000
		530	5,112	5,645	5,417	5,340	5,951	6,208	68	100,000
2	84	350	8,258	8,671	7,329	8,052	8,773	9,108	92	150,000
		530	10,070	11,291	10,986	10,681	11,902	12,417	136	100,000

Visit [www.VisionaireLighting.com](http://www.VisionaireLighting.com) for up-to-the-minute chart information, including types not listed here.

\* For 4000K multiply values by 0.95